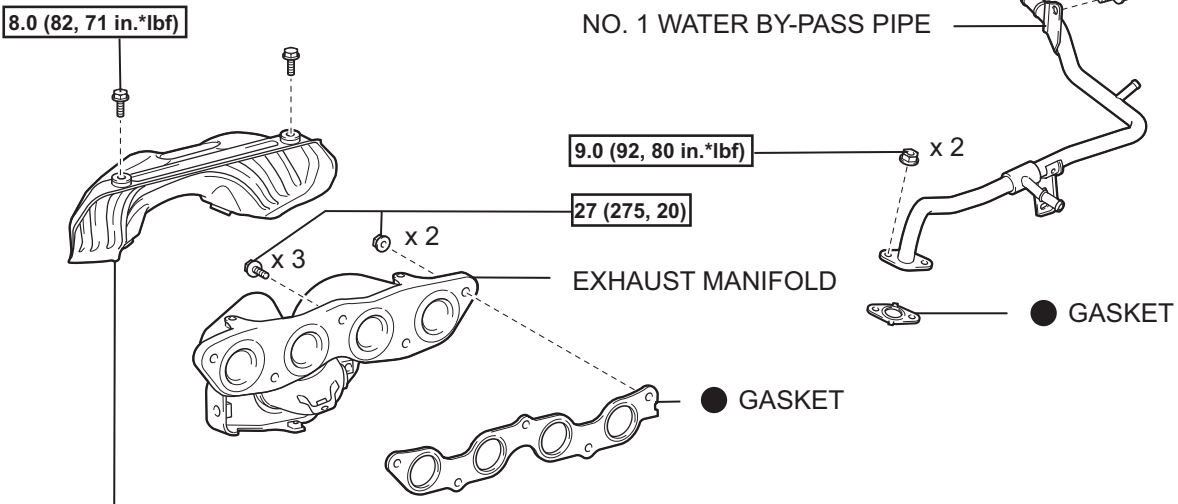
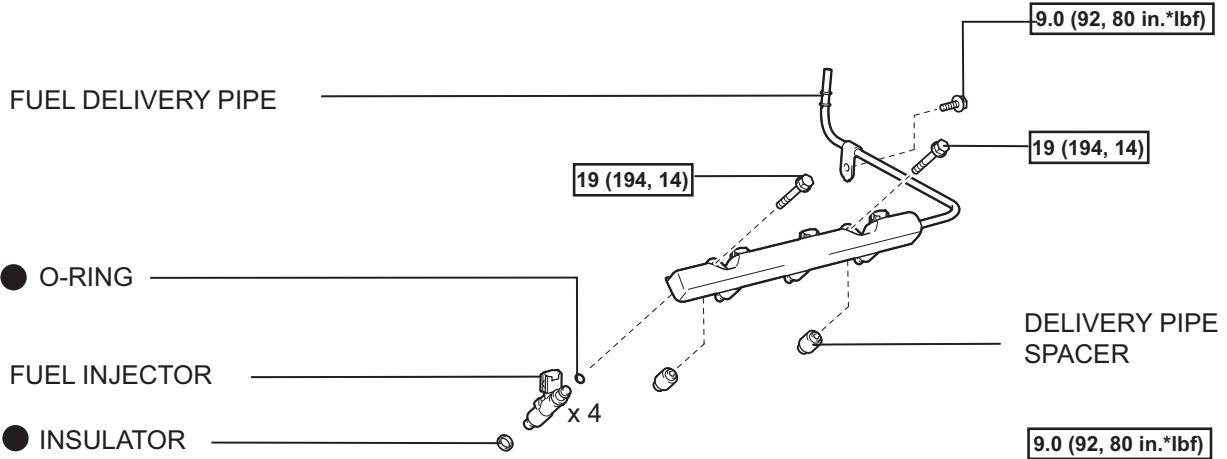
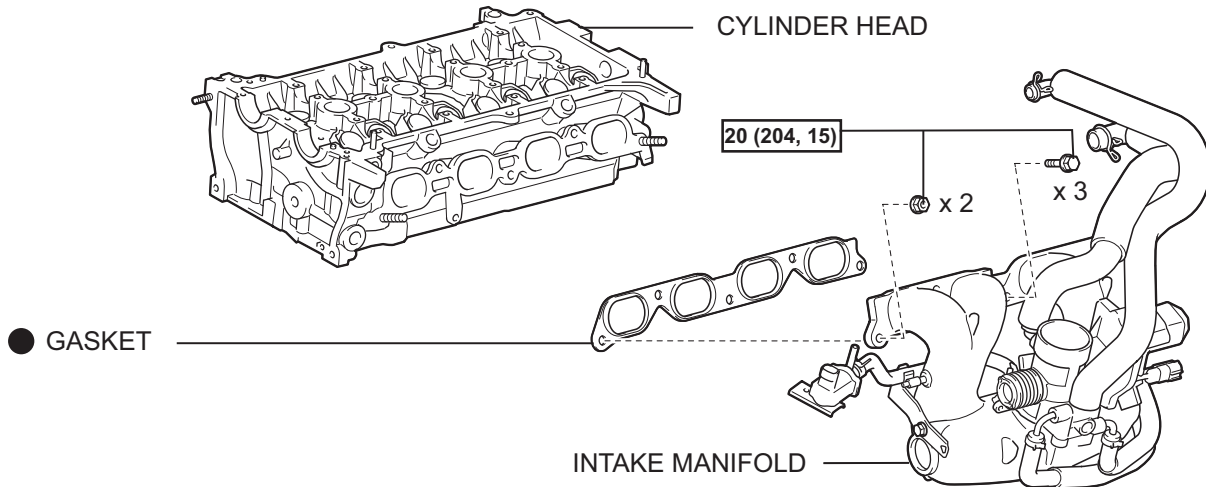


EM



NO. 1 EXHAUST MANIFOLD INSULATOR



N*m (kgf*cm, ft.*lbf) : Specified torque

● Non-reusable part