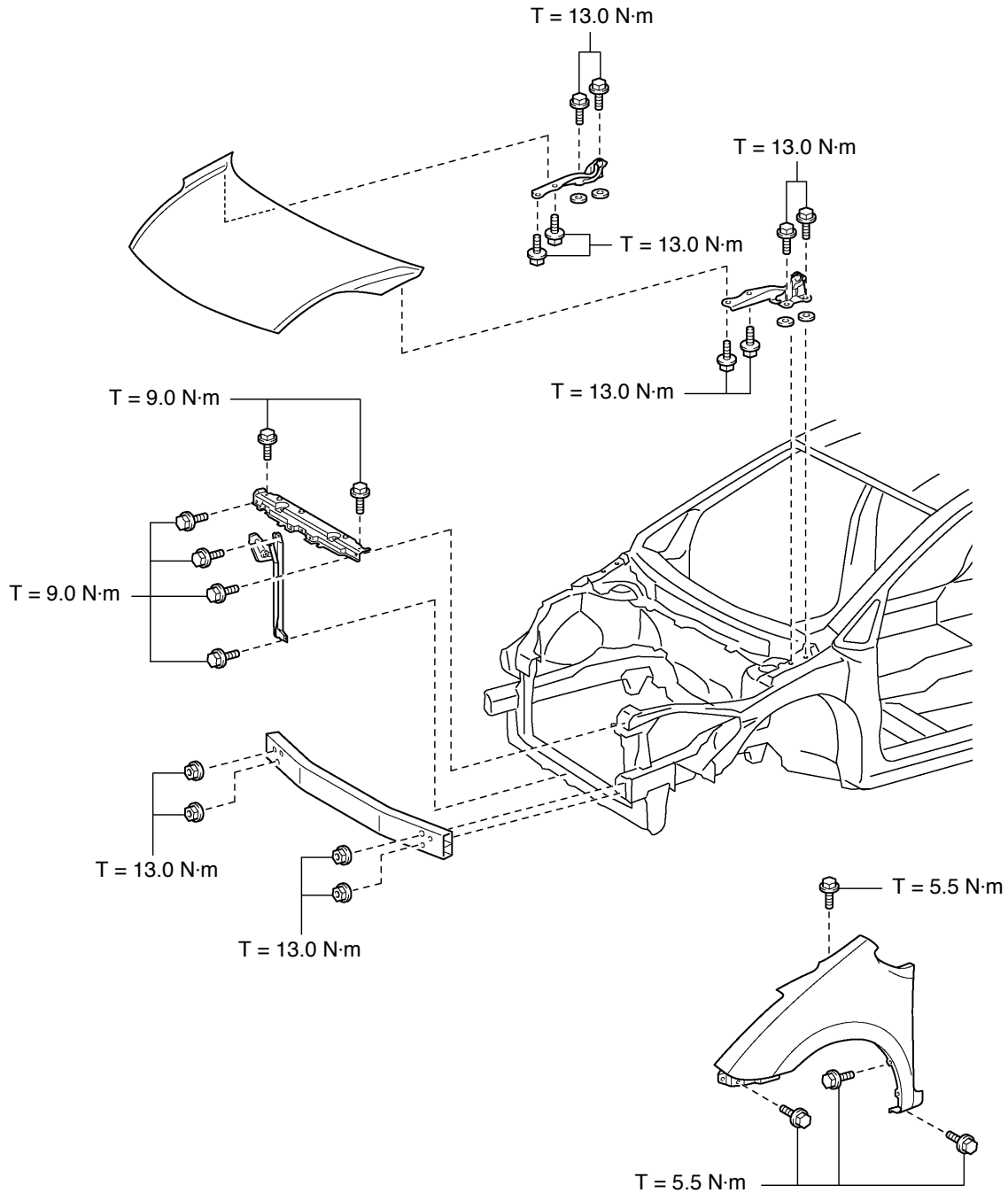


OUTER PANEL INSTALLATION TORQUE

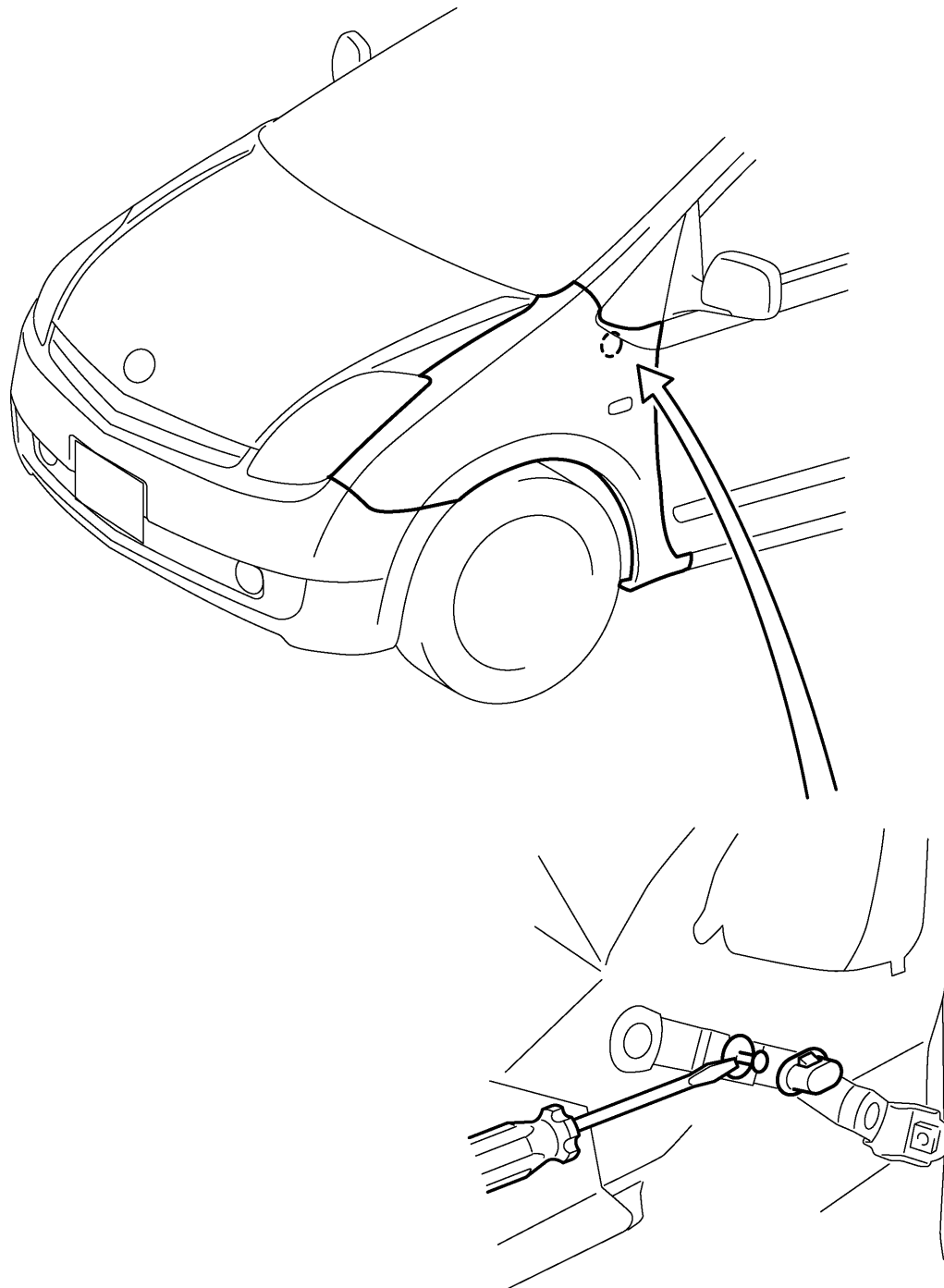


F16111

5.5 N·m (56 kgf·cm, 4 ft·lb)

9.0 N·m (92 kgf·cm, 7 ft·lb)

13.0 N·m (133 kgf·cm, 10 ft·lb)



F16198

POINT

- 1 From the fender liner side, use a screwdriver to disengage and remove the clip. Remove the front fender.