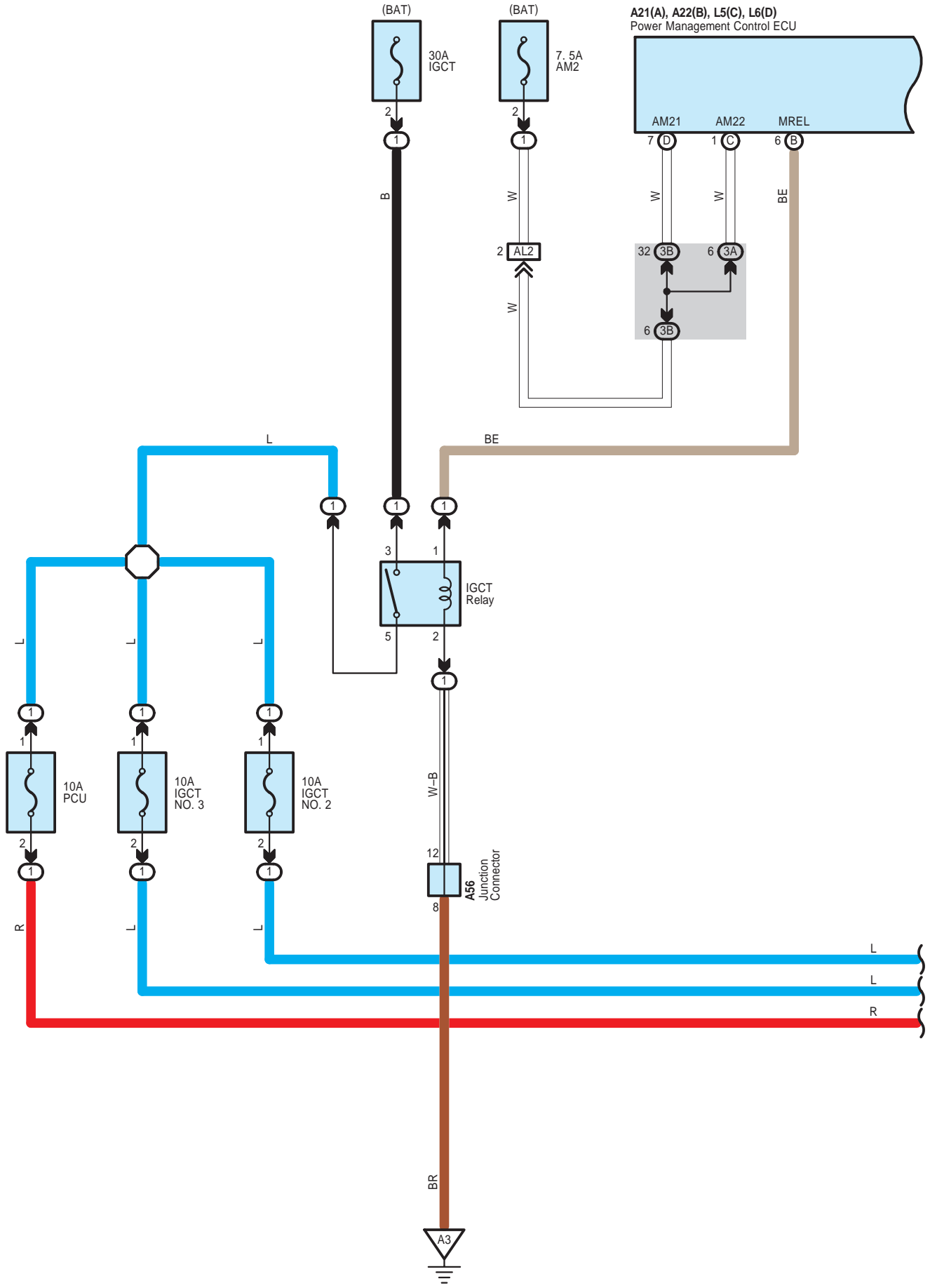
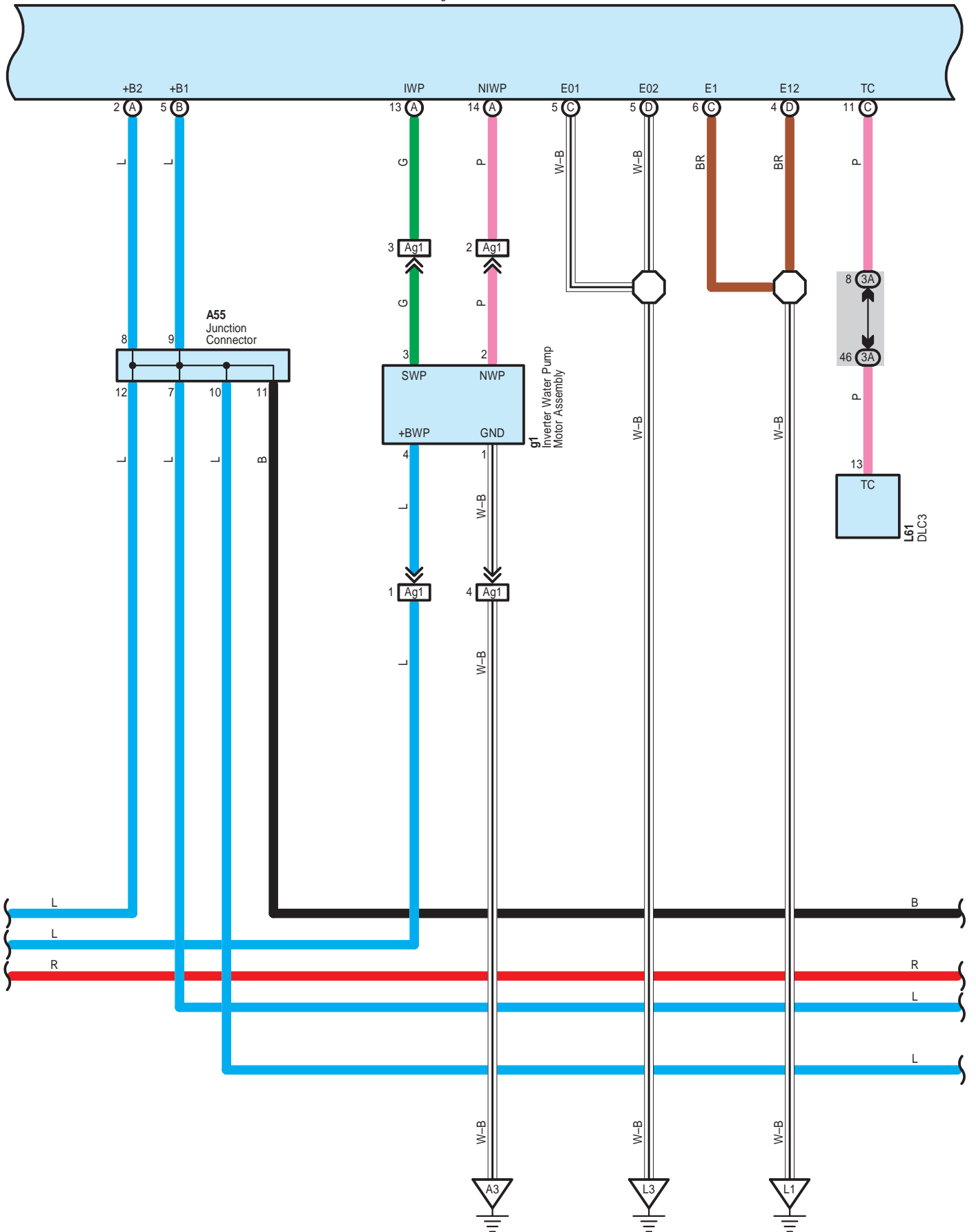


Hybrid System , Shift Control System

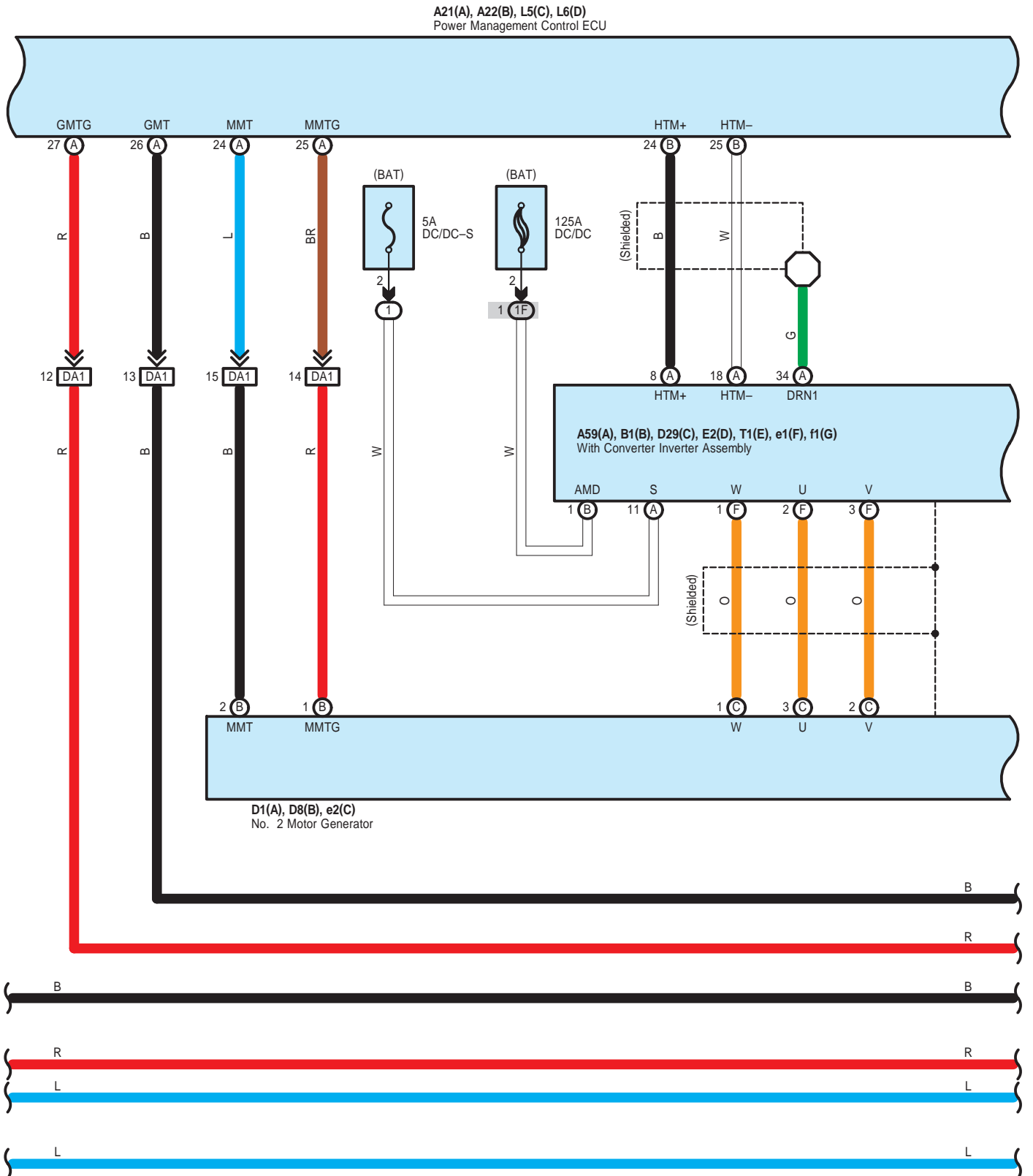


Hybrid System , Shift Control System

A21(A), A22(B), L5(C), L6(D)
Power Management Control ECU

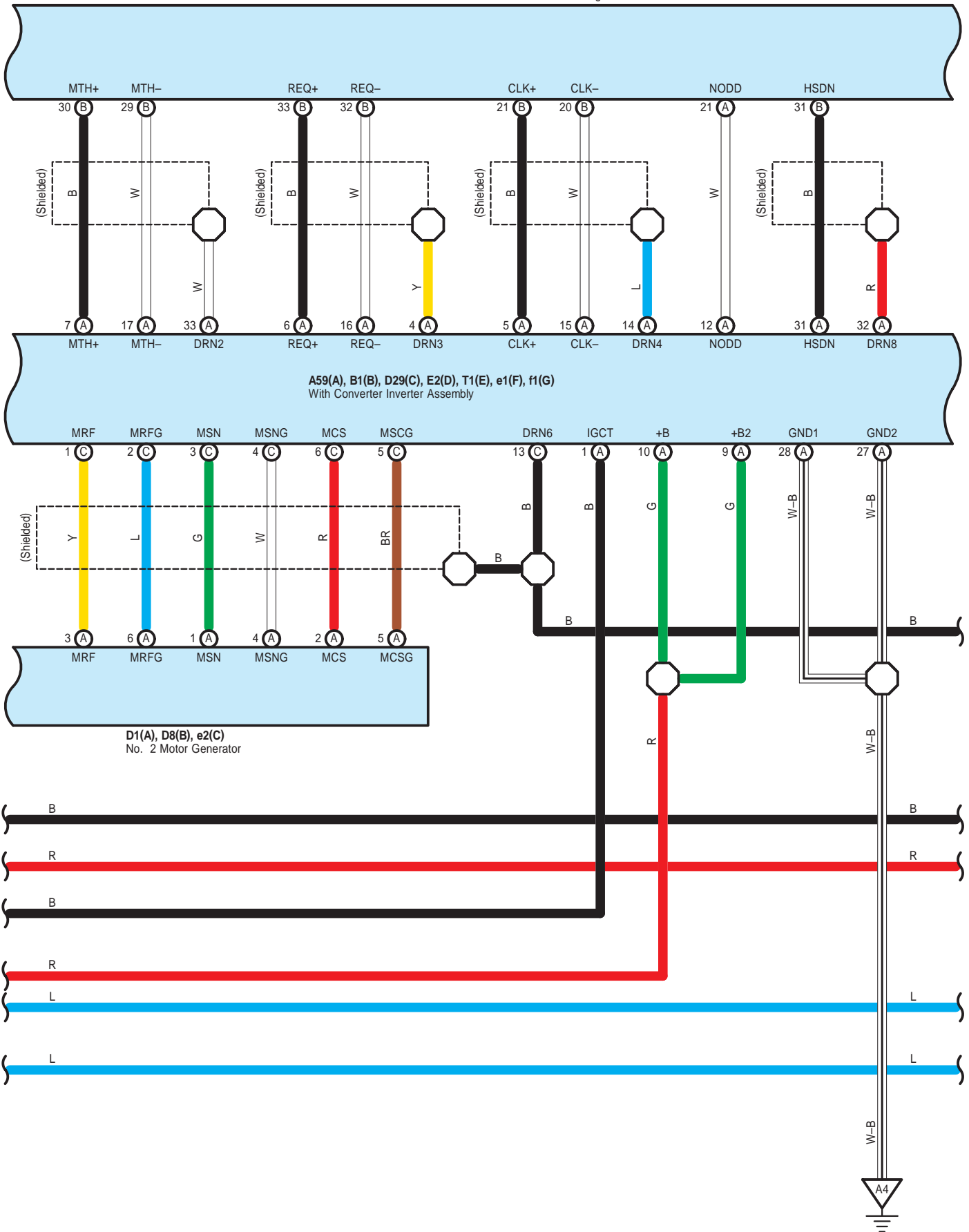


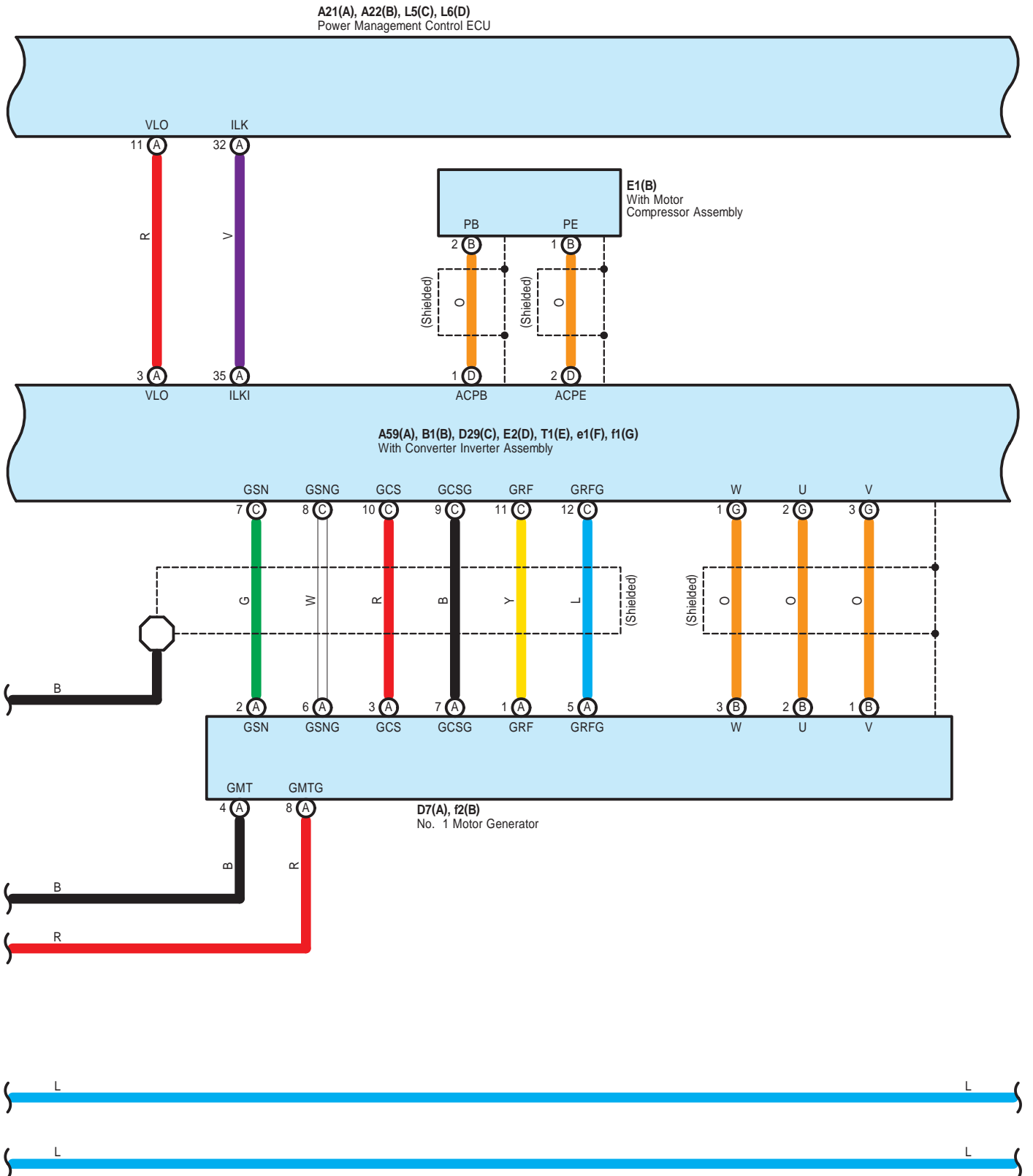
Hybrid System , Shift Control System

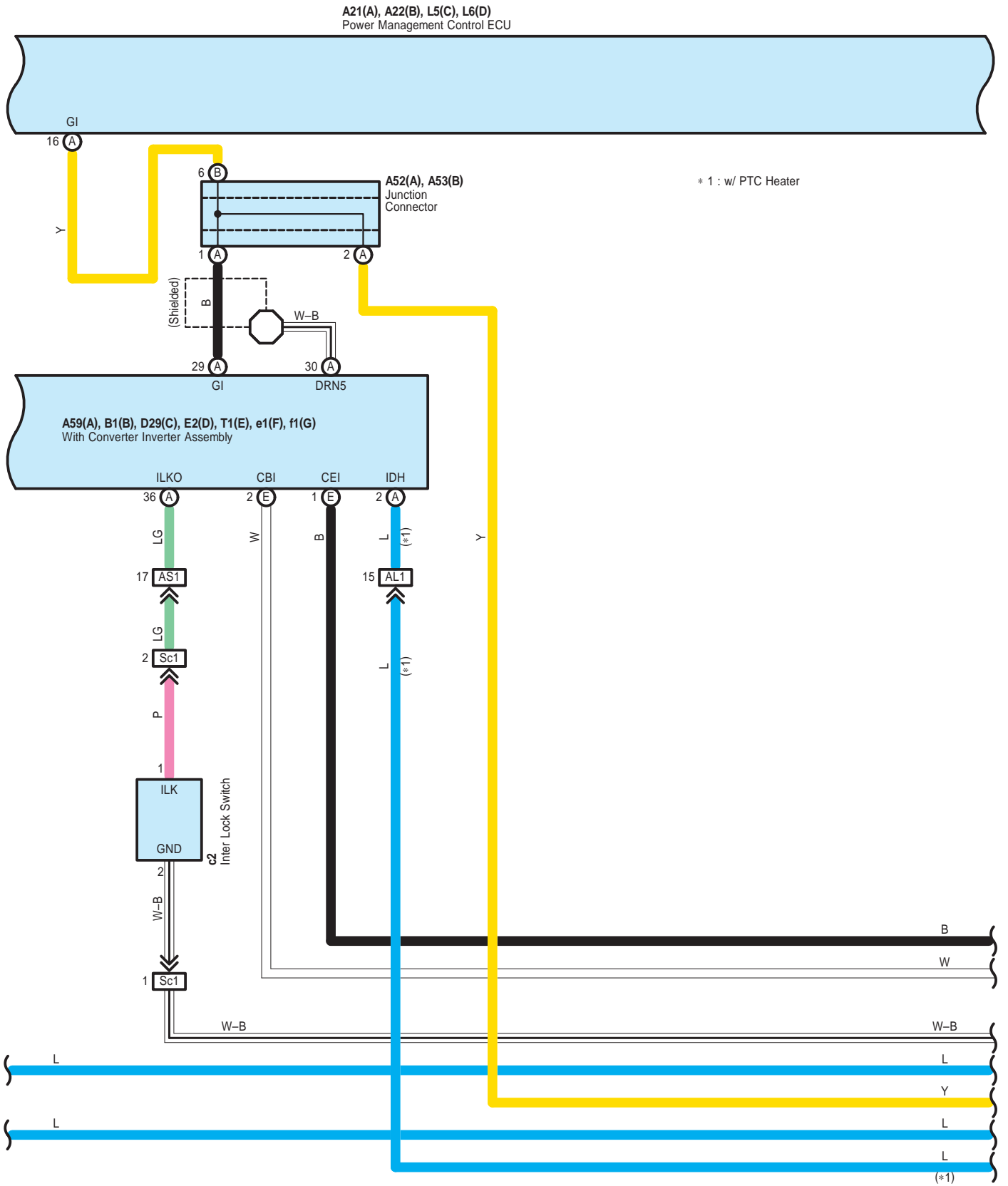


Hybrid System , Shift Control System

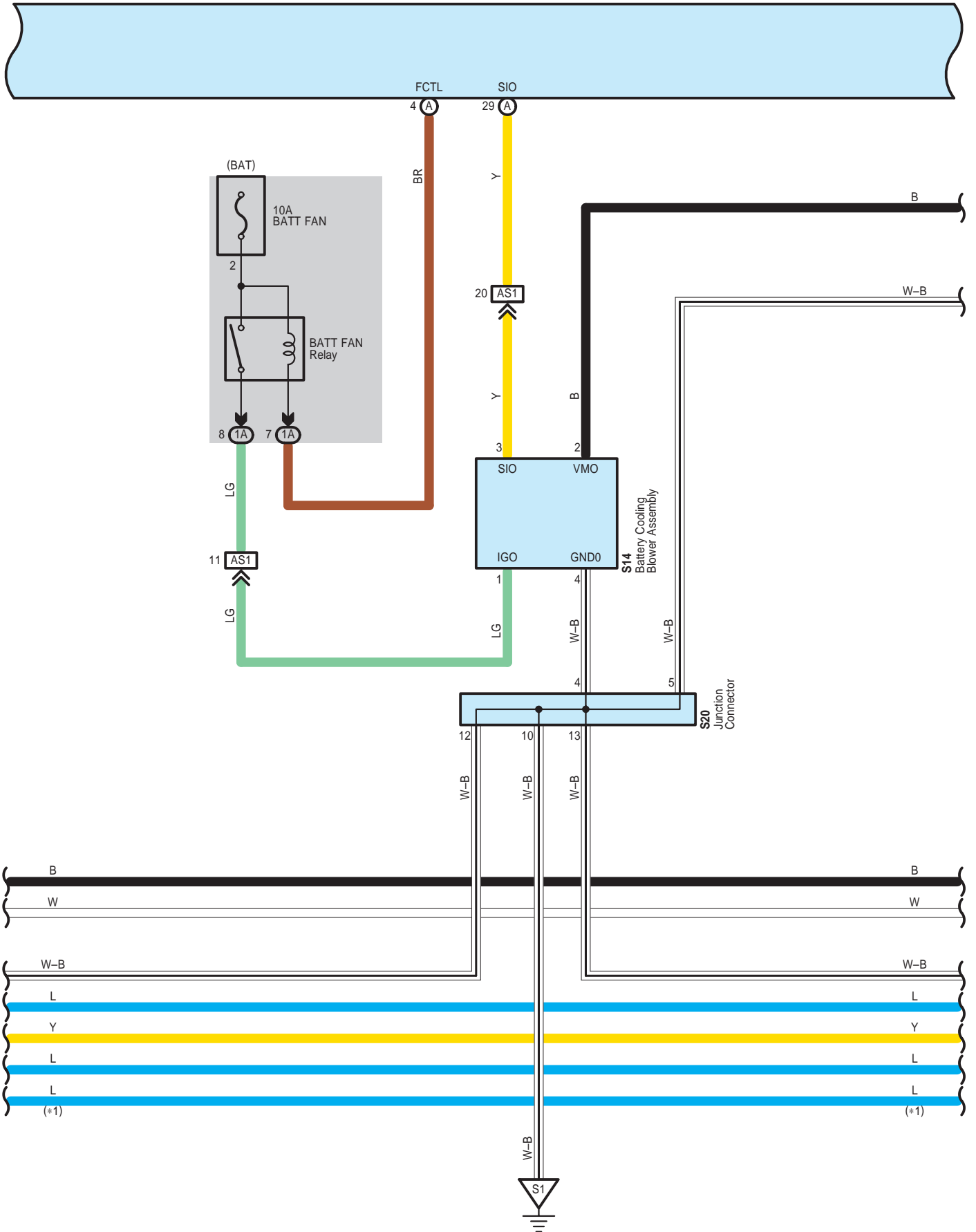
A21(A), A22(B), L5(C), L6(D)
Power Management Control ECU







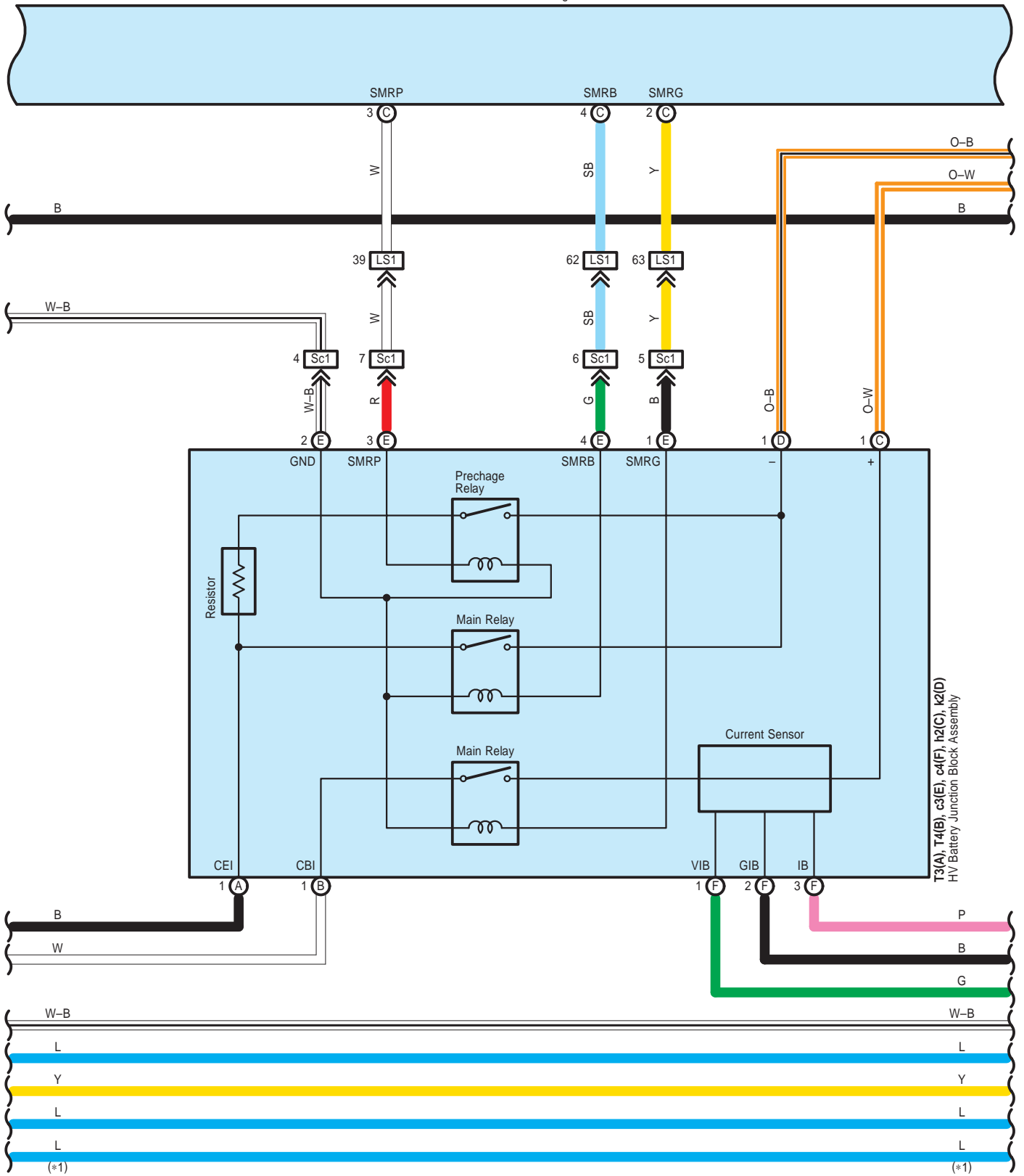
A21(A), A22(B), L5(C), L6(D)
Power Management Control ECU



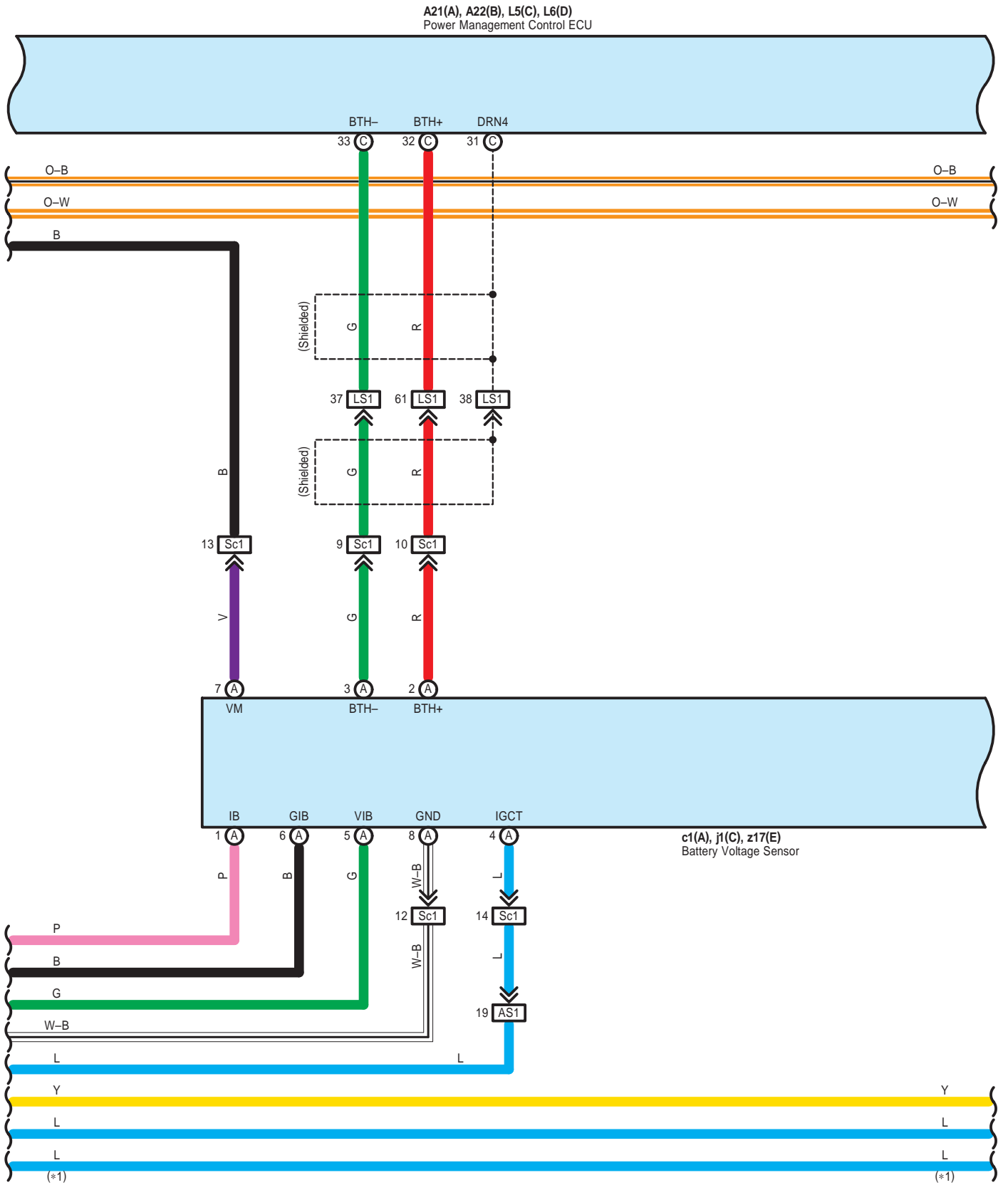
Hybrid System , Shift Control System

* 1 : w/ PTC Heater

A21(A), A22(B), L5(C), L6(D)
Power Management Control ECU



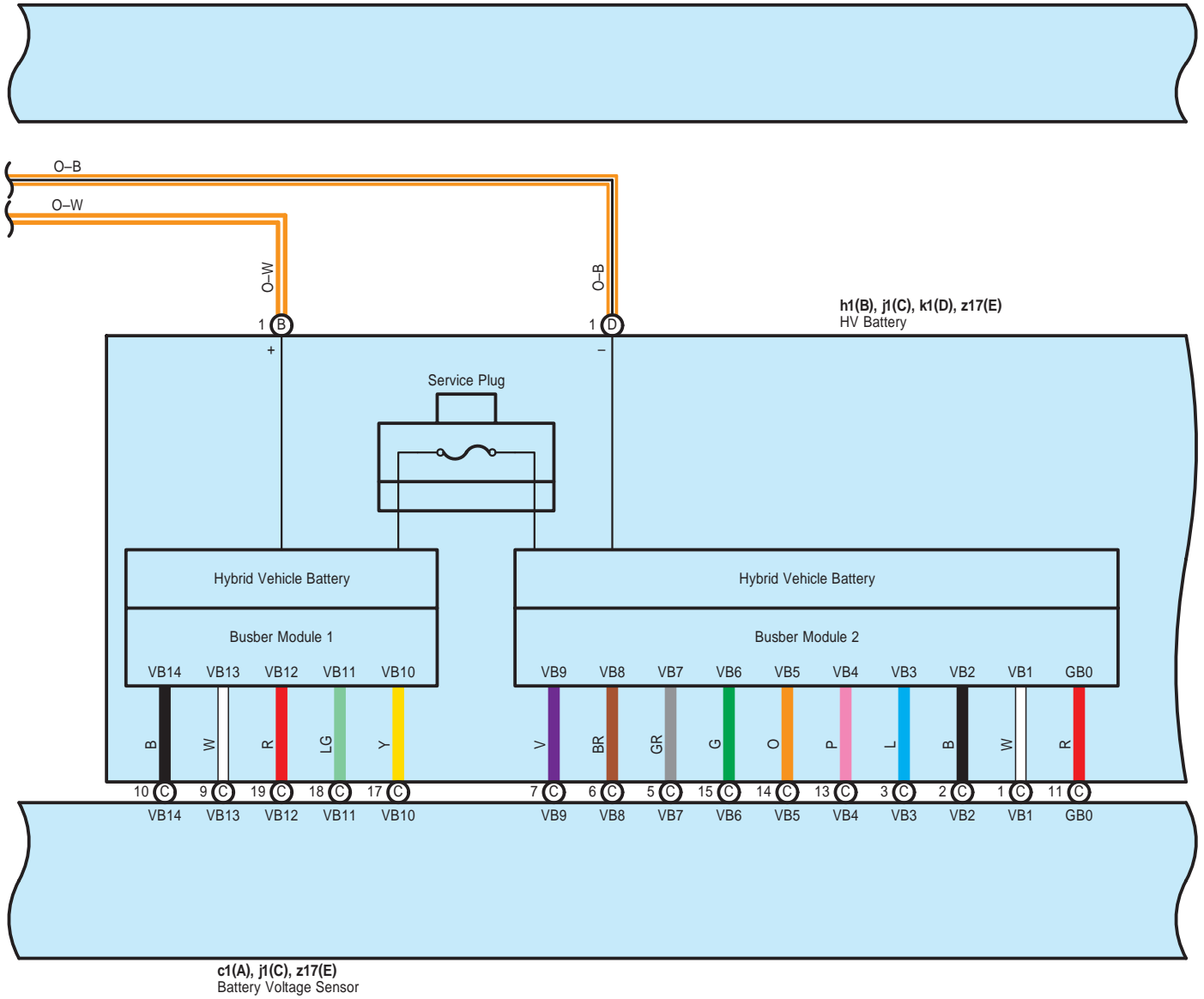
Hybrid System , Shift Control System



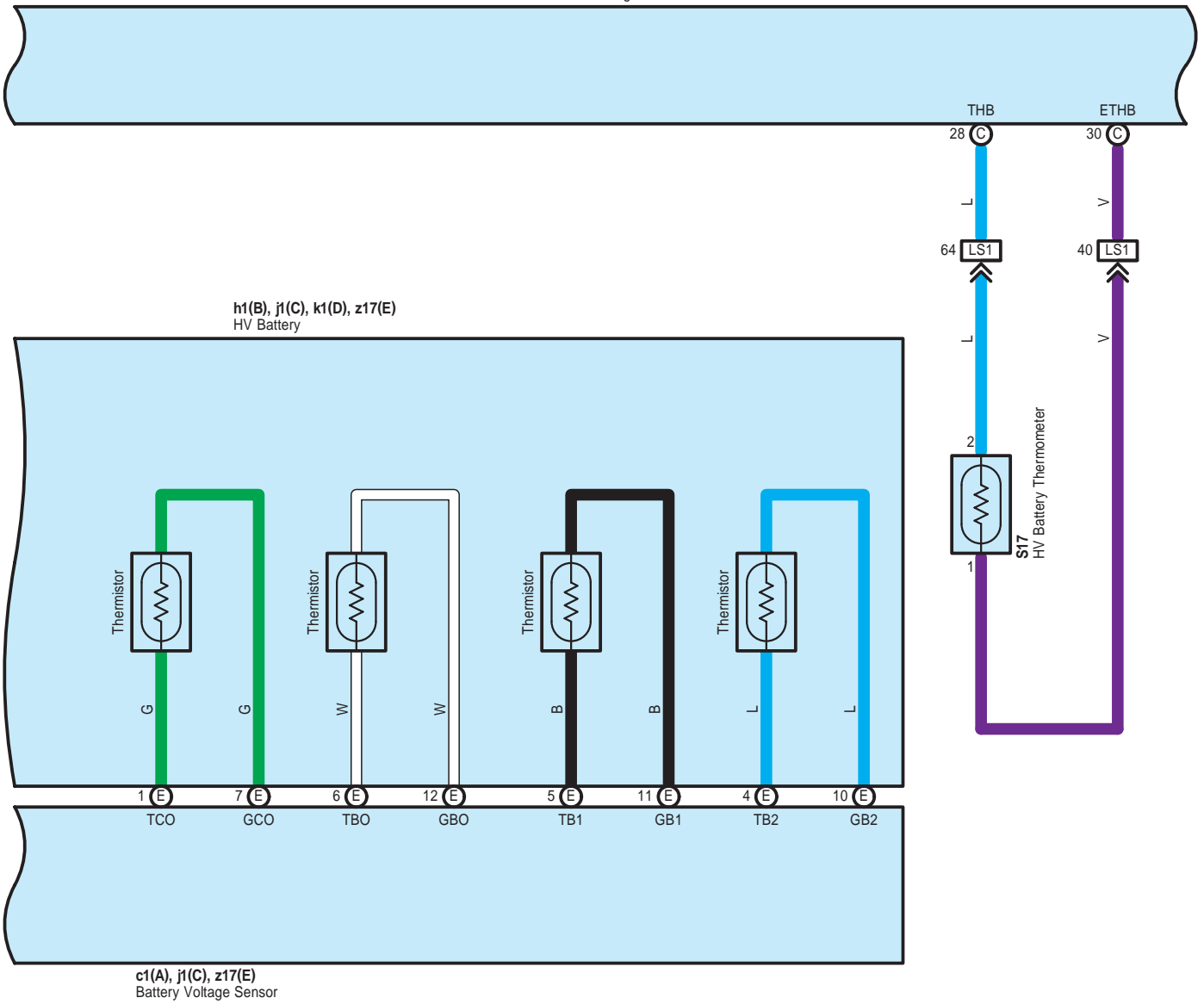
Hybrid System , Shift Control System

* 1 : w/ PTC Heater

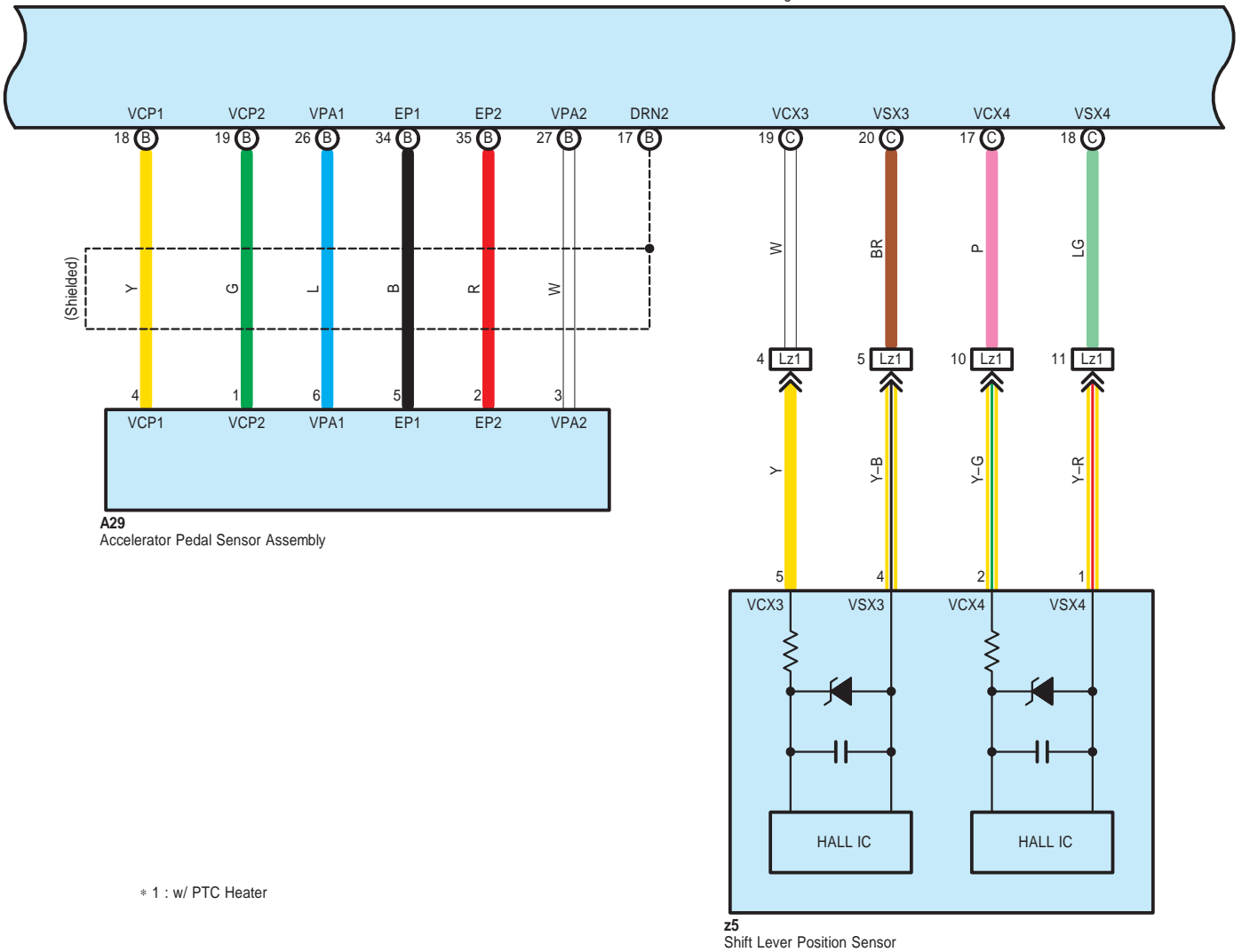
A21(A), A22(B), L5(C), L6(D)
Power Management Control ECU



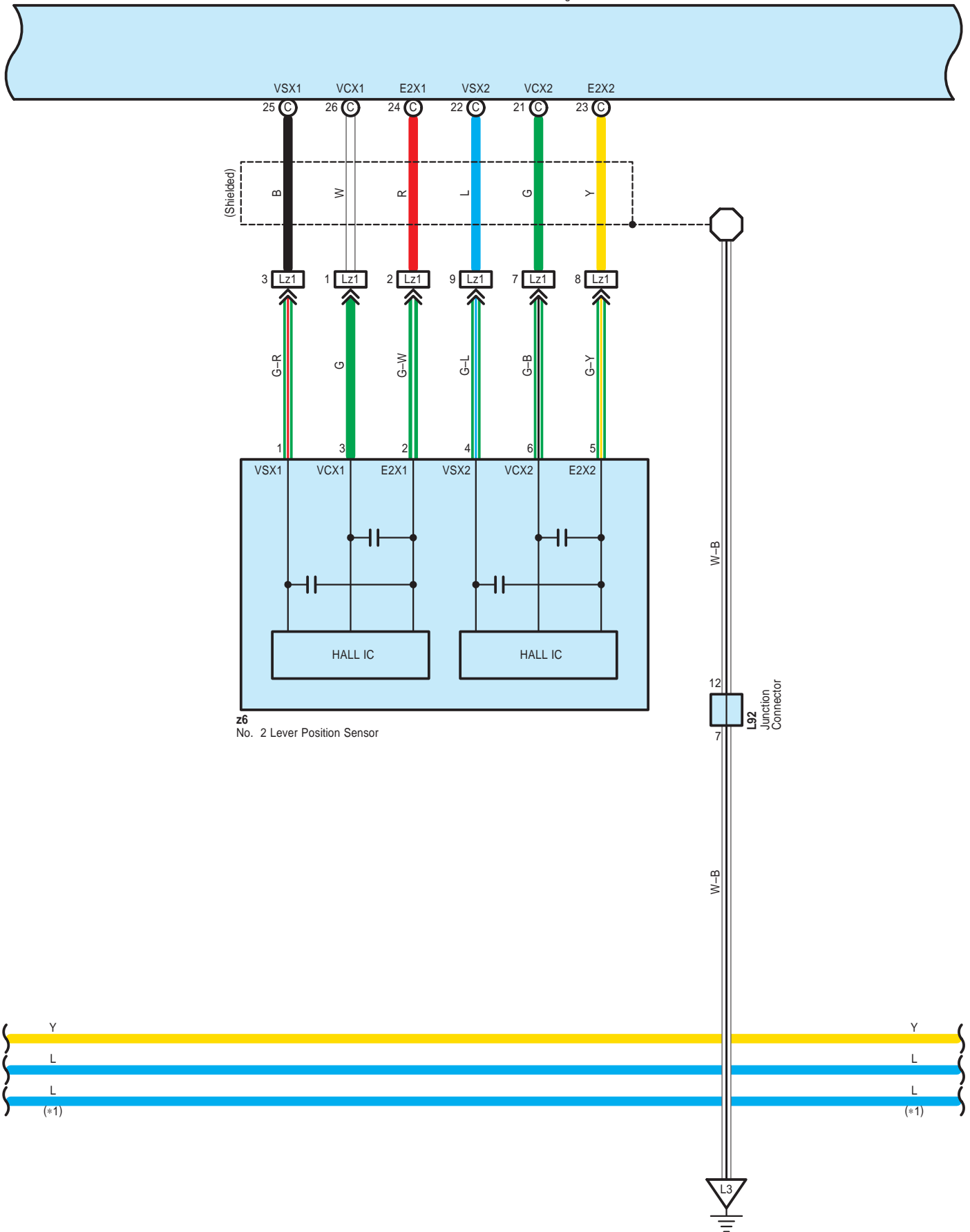
A21(A), A22(B), L5(C), L6(D)
Power Management Control ECU



A21(A), A22(B), L5(C), L6(D)
Power Management Control ECU

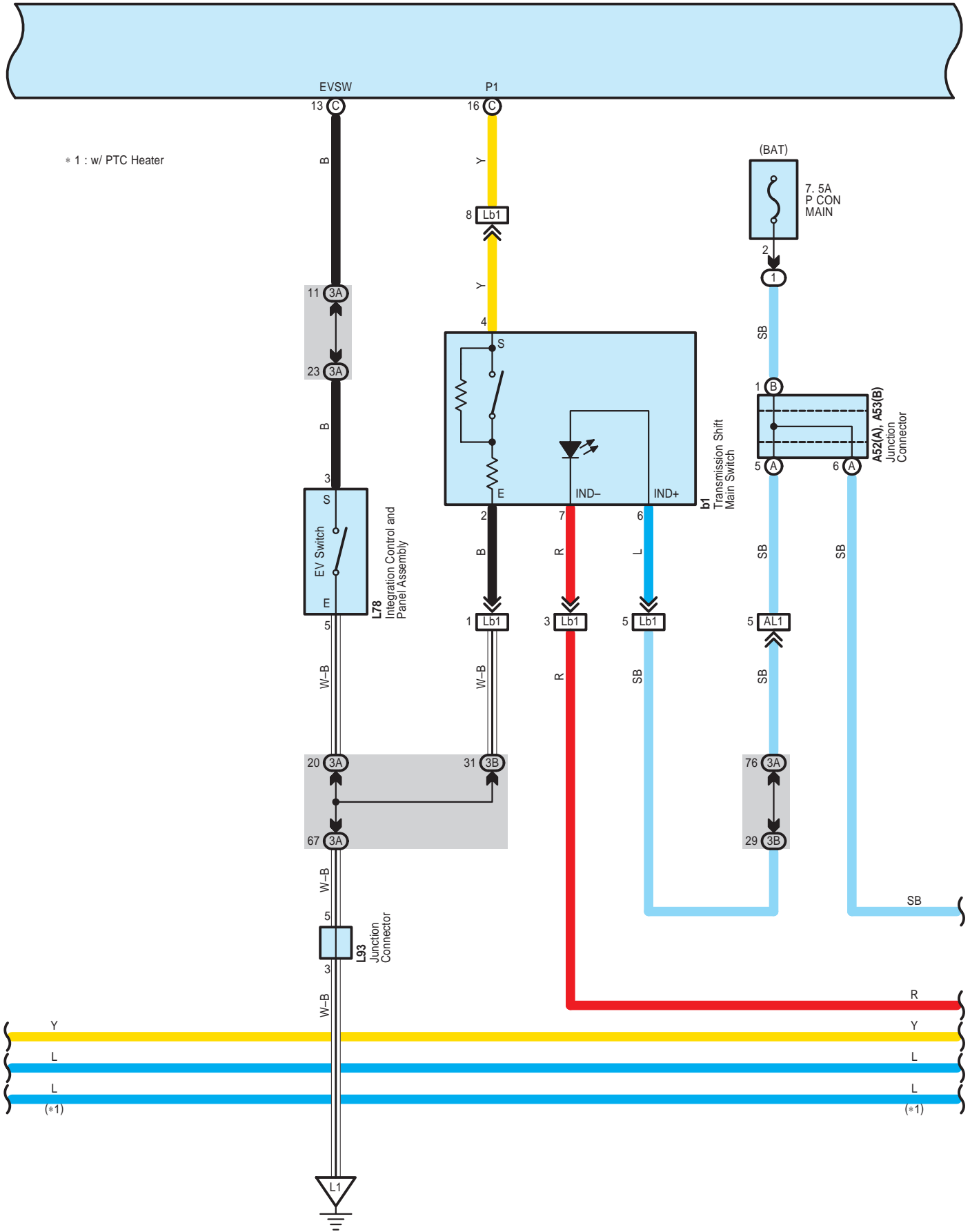


A21(A), A22(B), L5(C), L6(D)
Power Management Control ECU



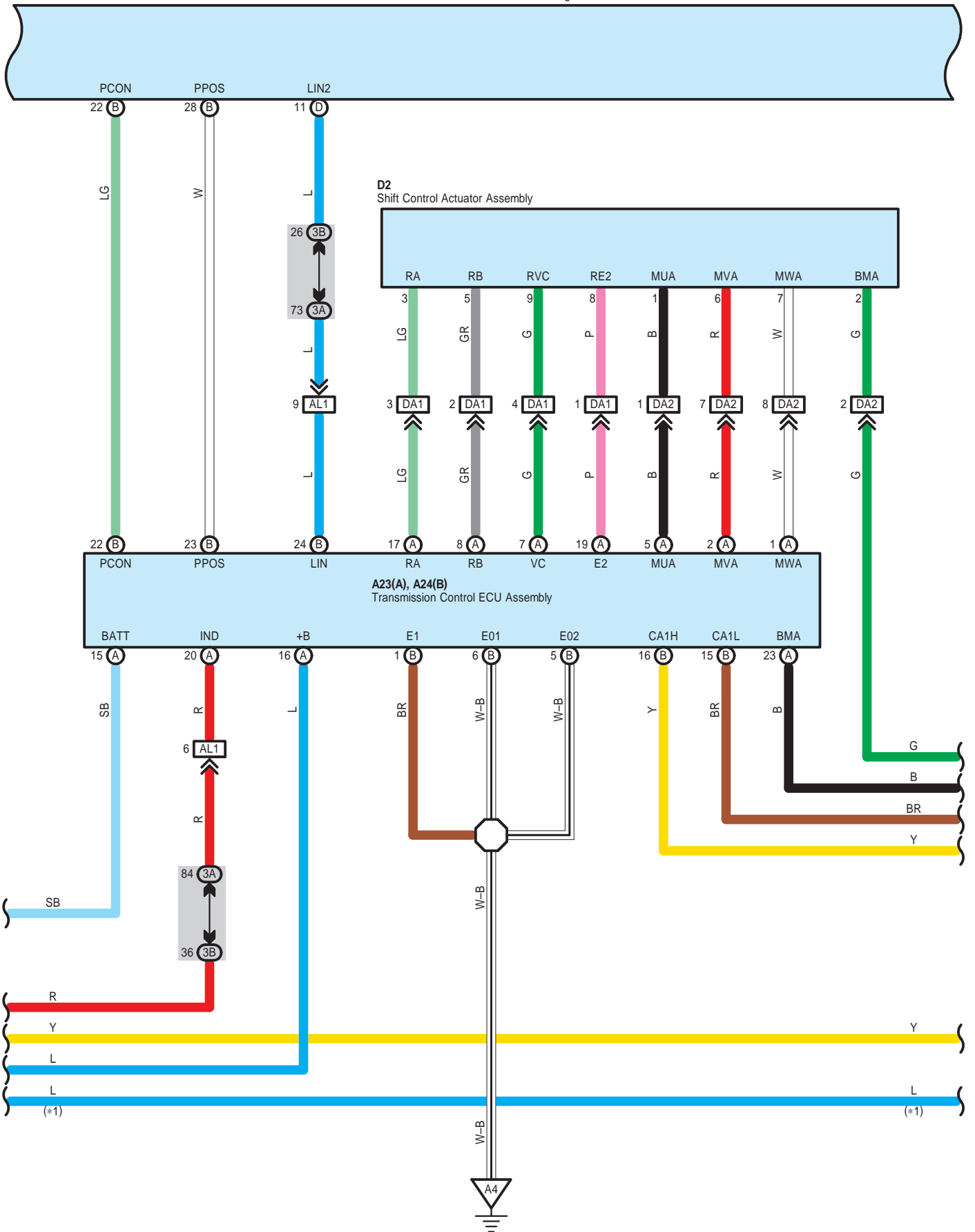
Hybrid System , Shift Control System

A21(A), A22(B), L5(C), L6(D)
Power Management Control ECU



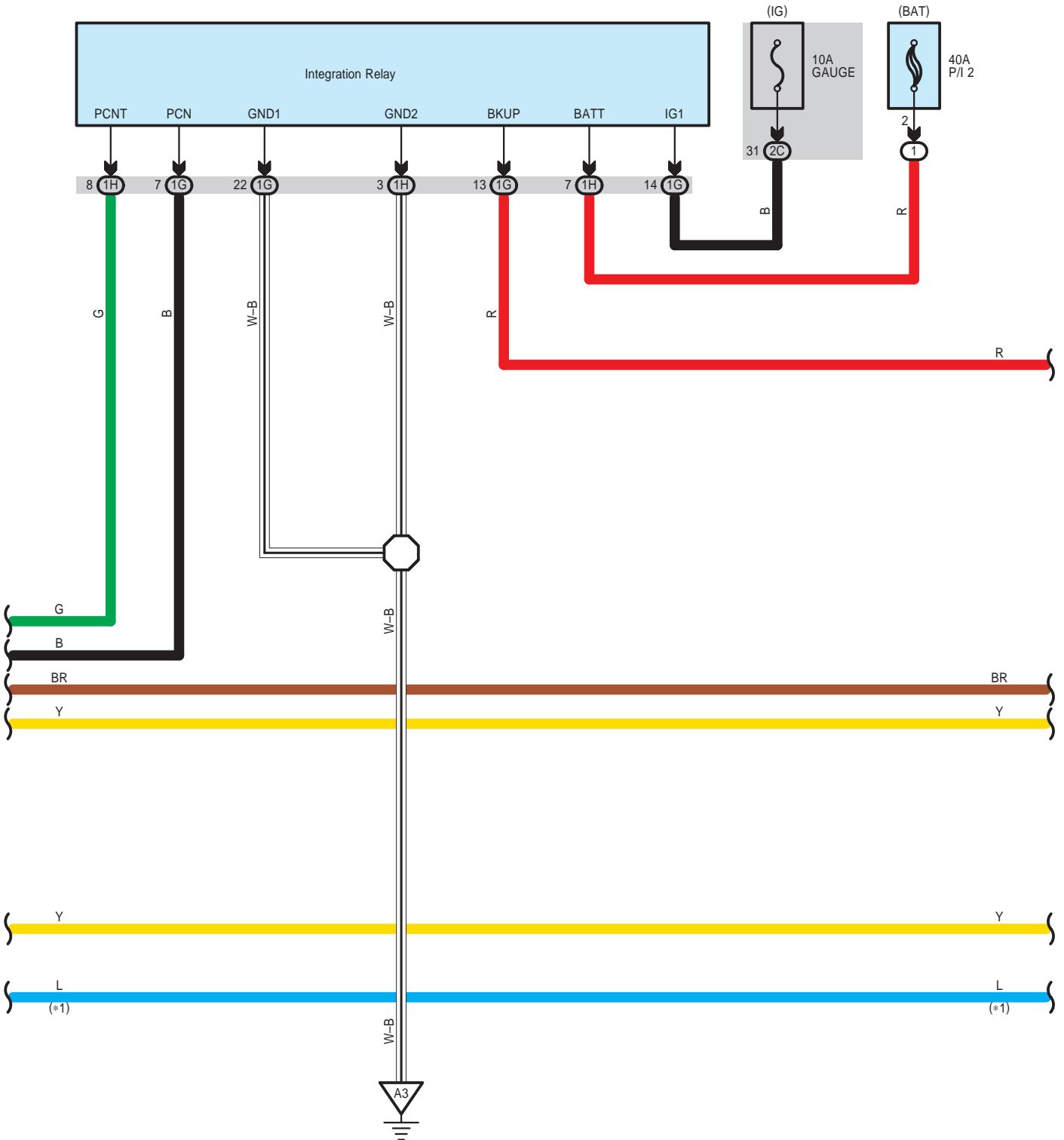
Hybrid System , Shift Control System

A21(A), A22(B), L5(C), L6(D)
Power Management Control ECU



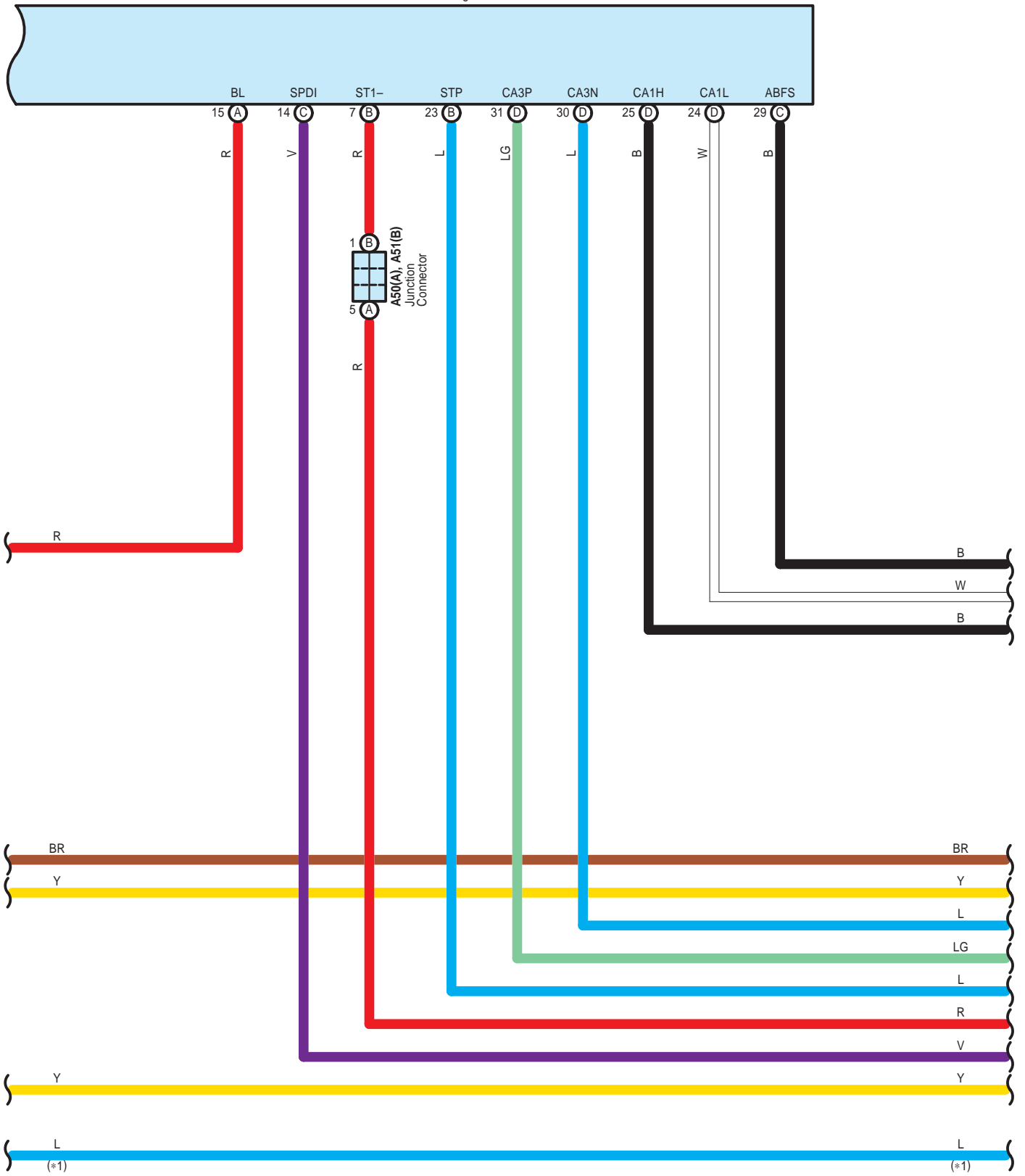
A21(A), A22(B), L5(C), L6(D)
Power Management Control ECU

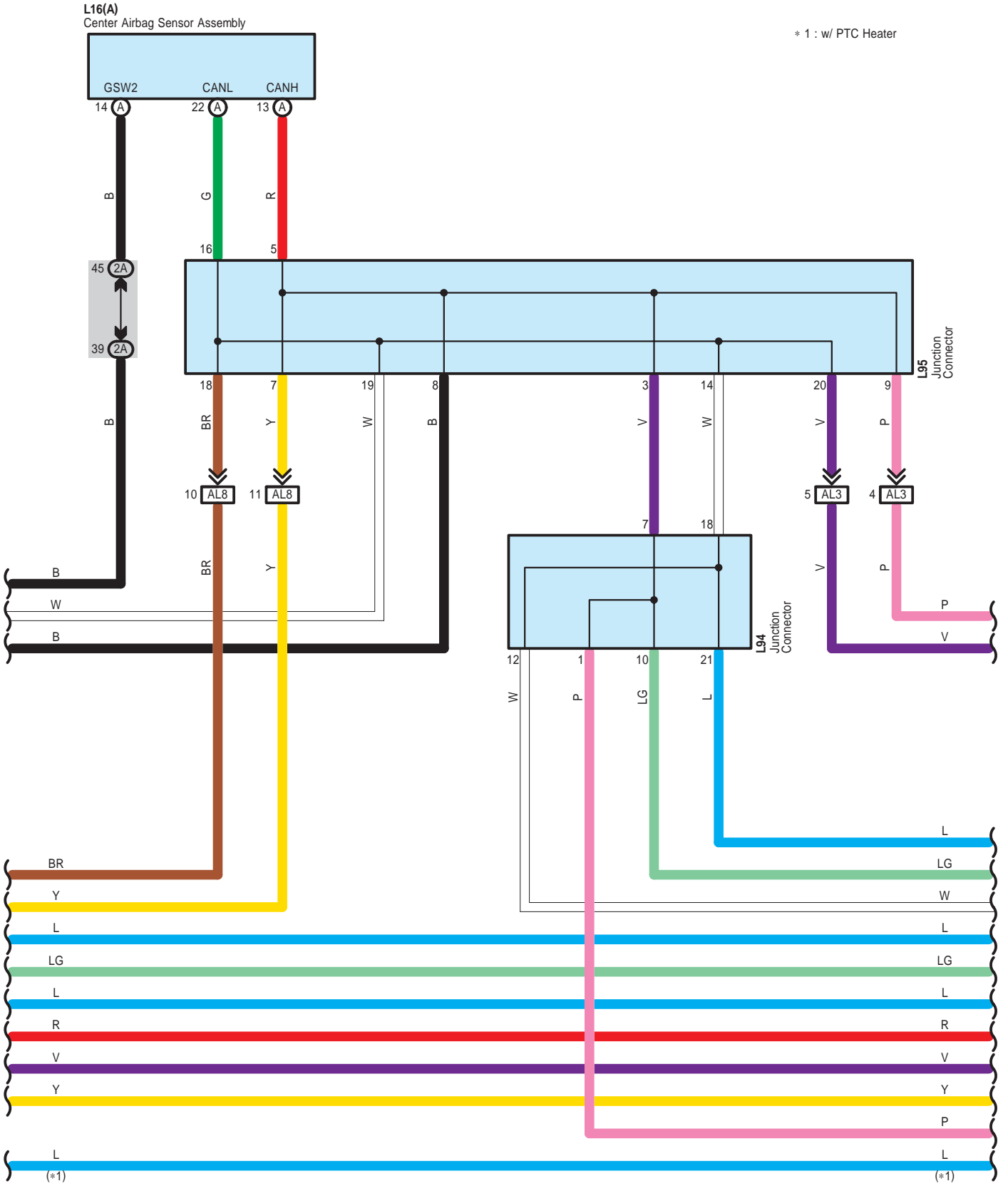
* 1 : w/ PTC Heater

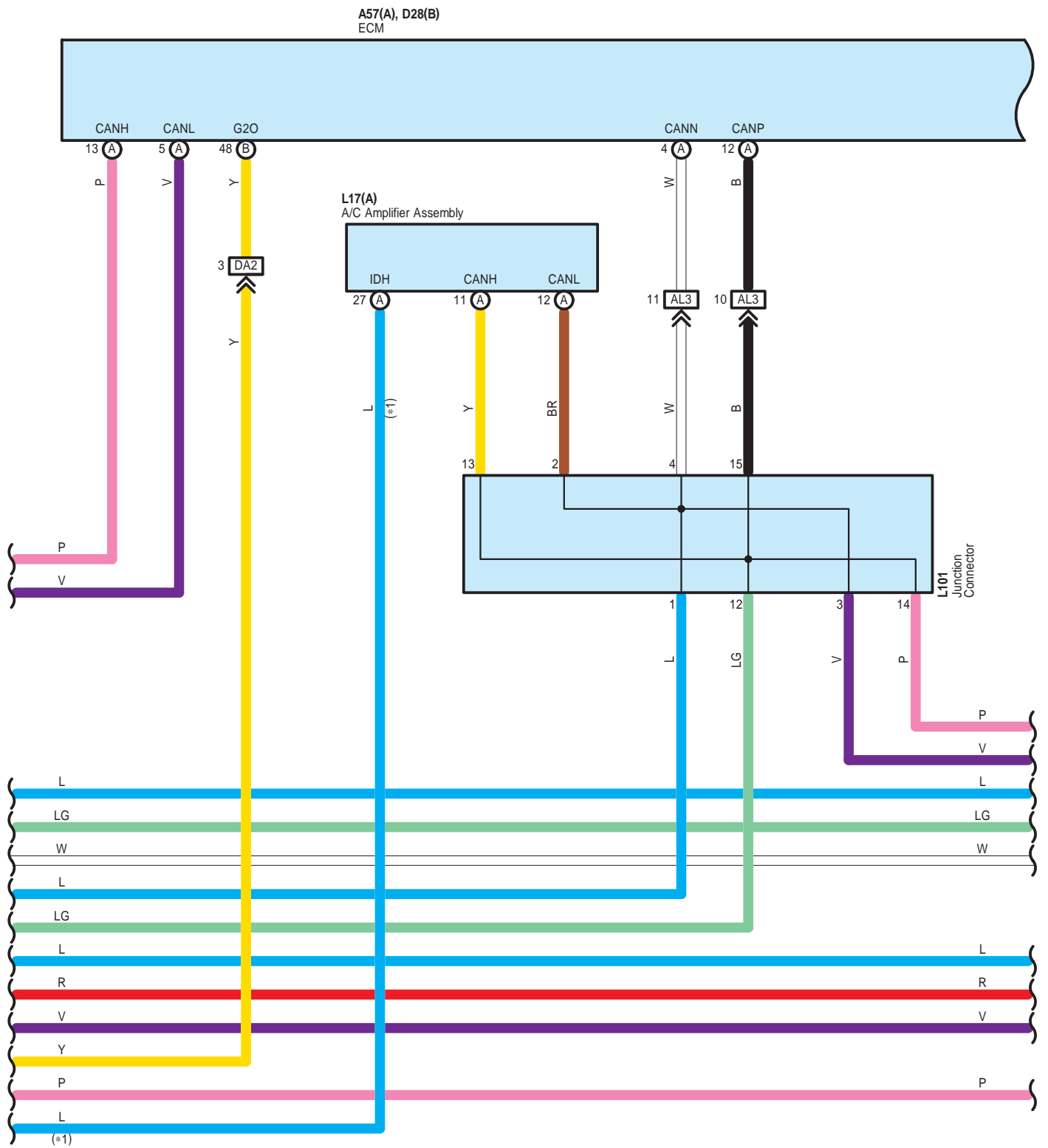


Hybrid System , Shift Control System

A21(A), A22(B), L5(C), L6(D)
Power Management Control ECU

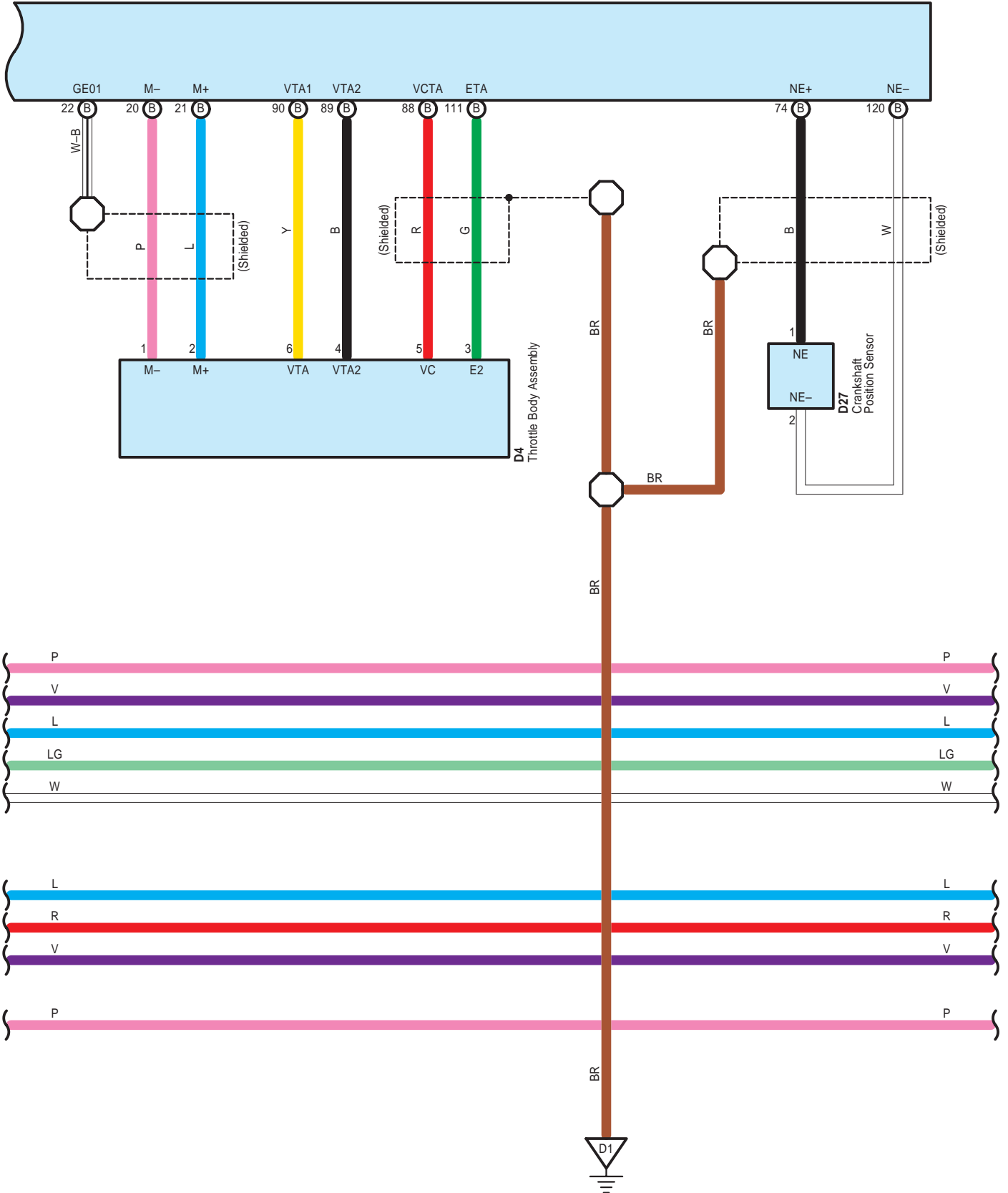


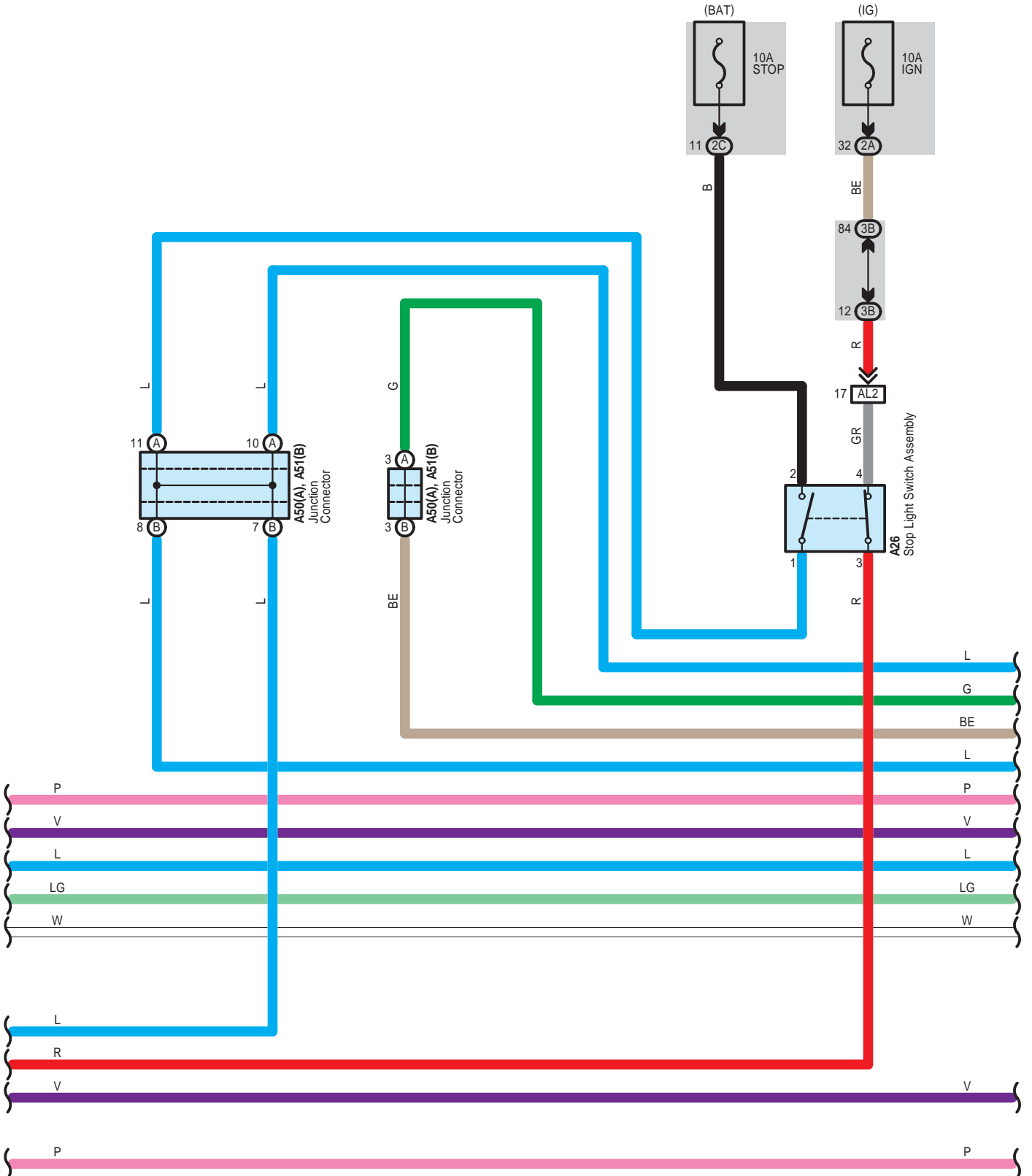




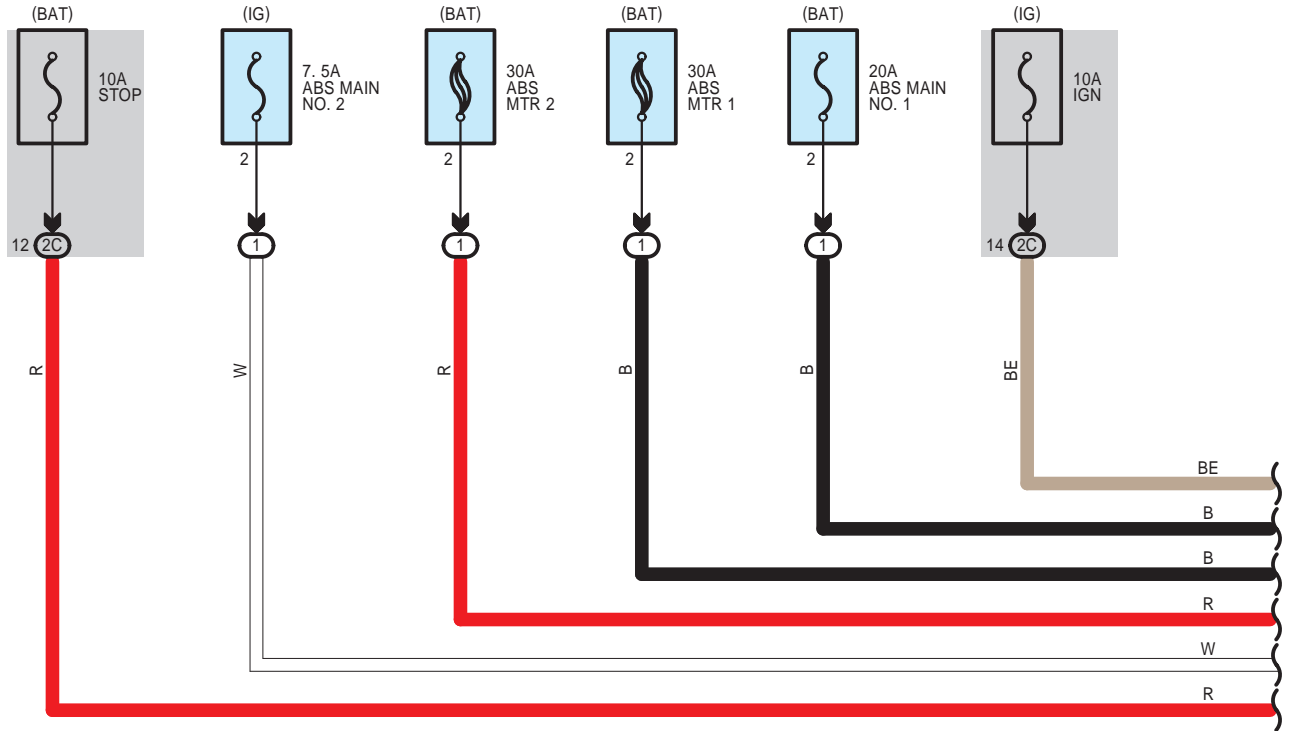
* 1 : w/ PTC Heater

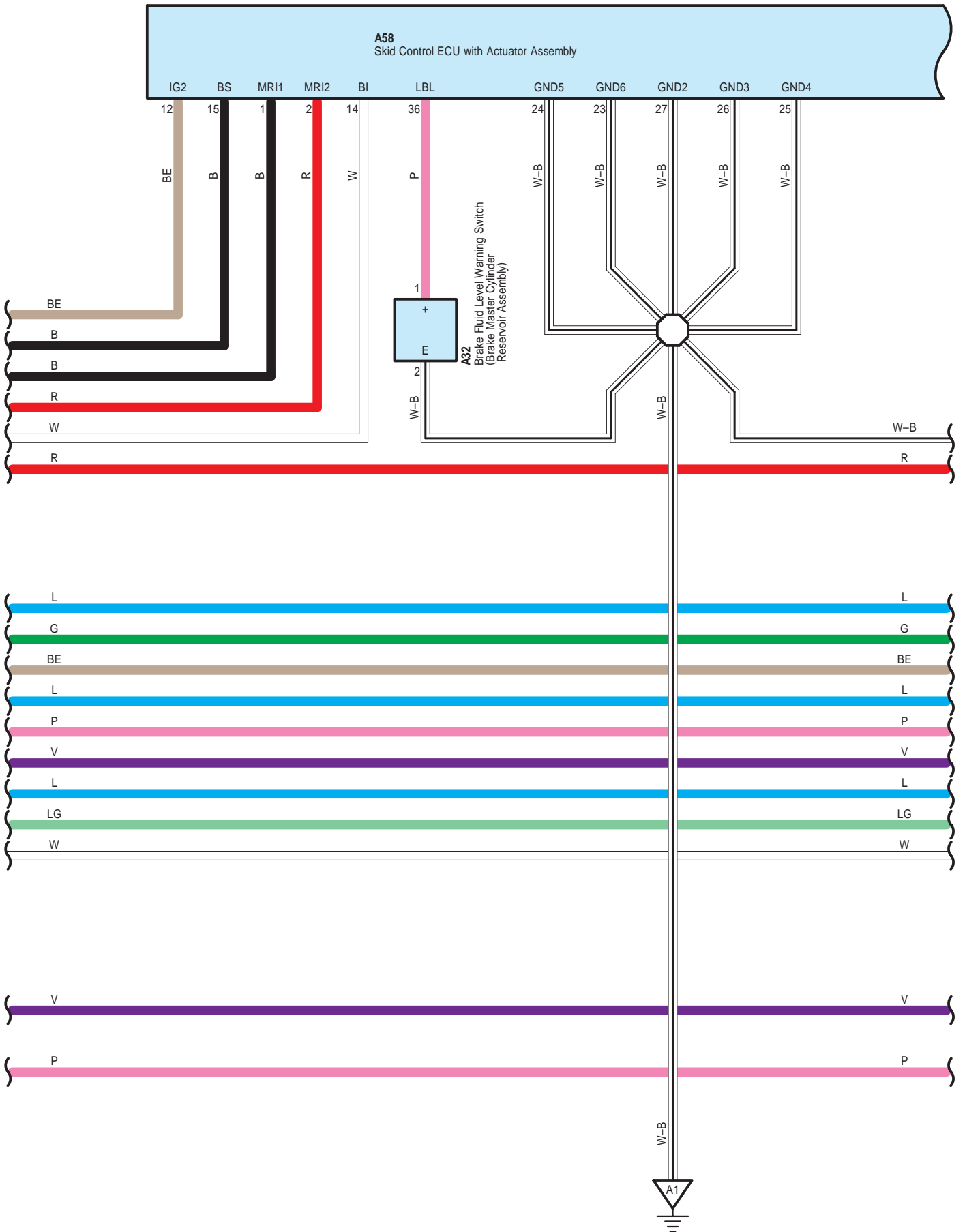
A57(A), D28(B)
ECM

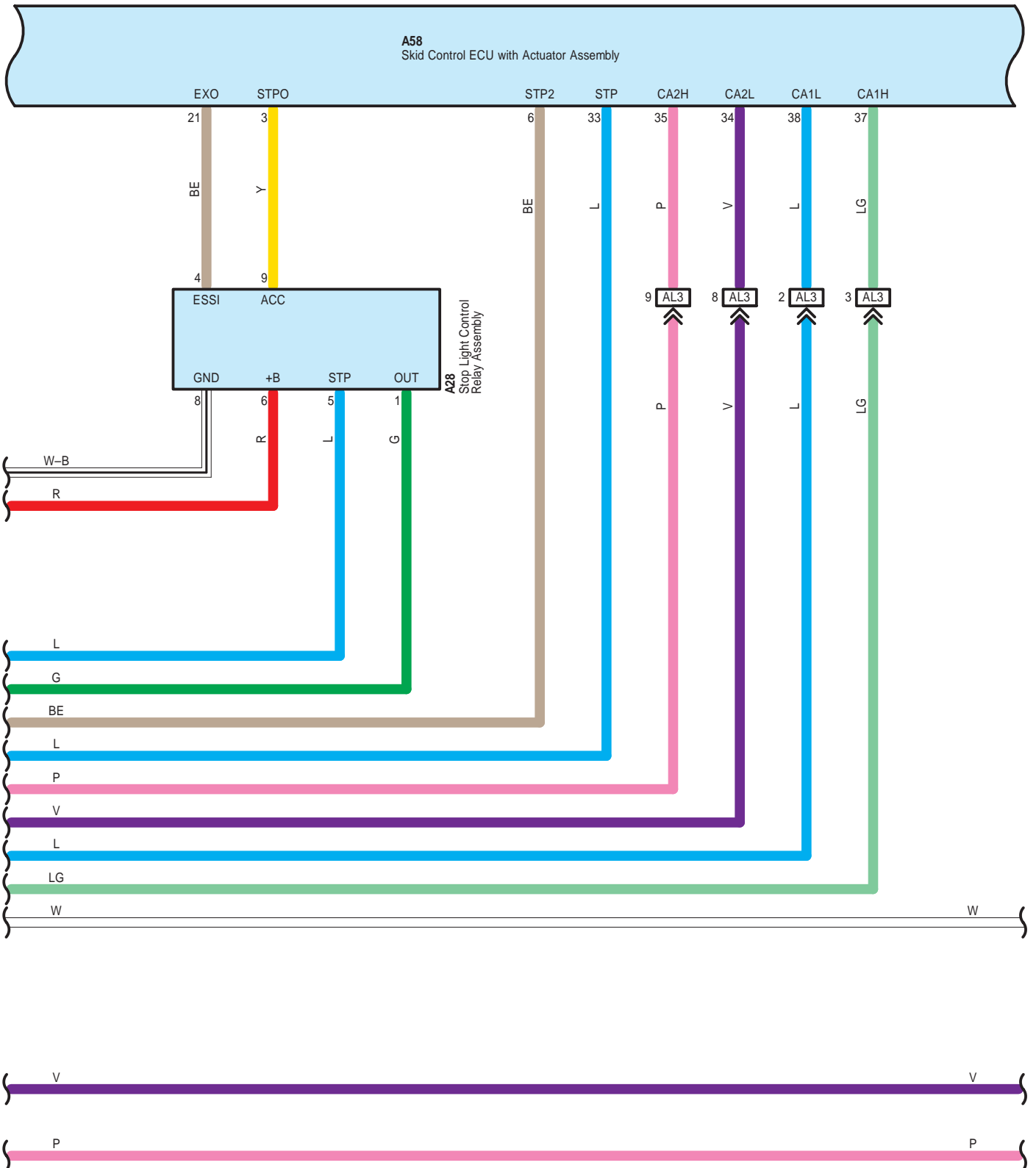


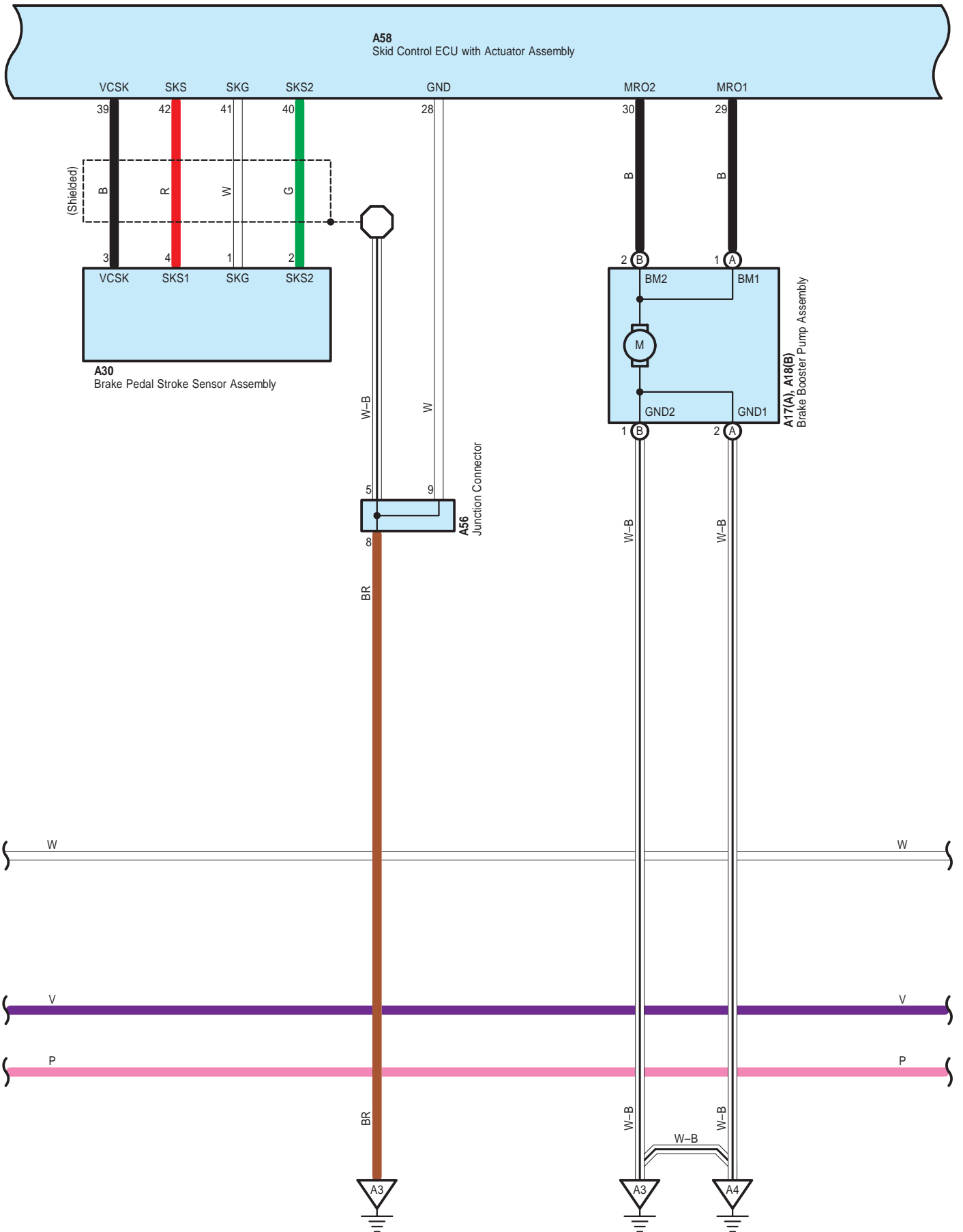


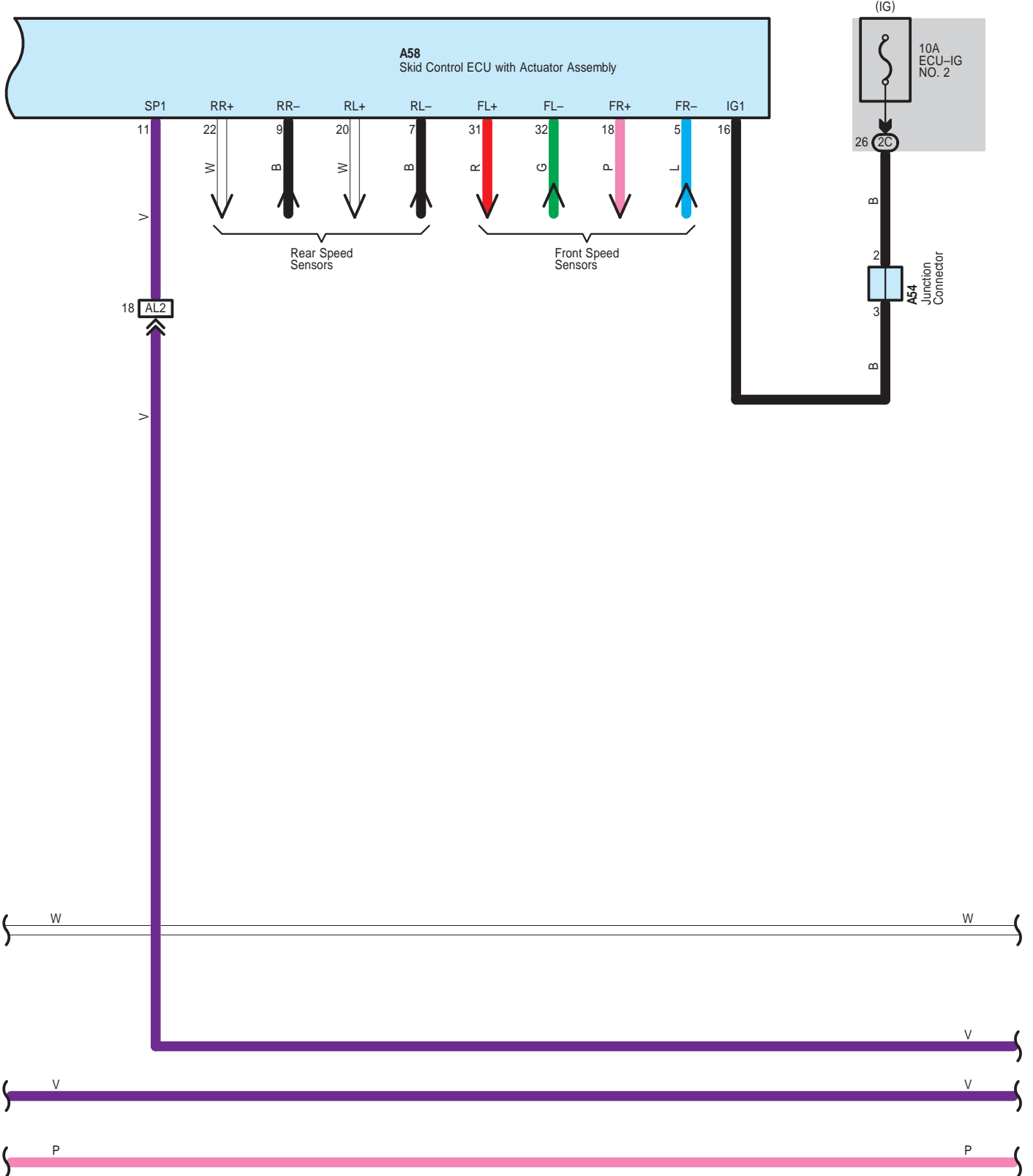
Hybrid System , Shift Control System

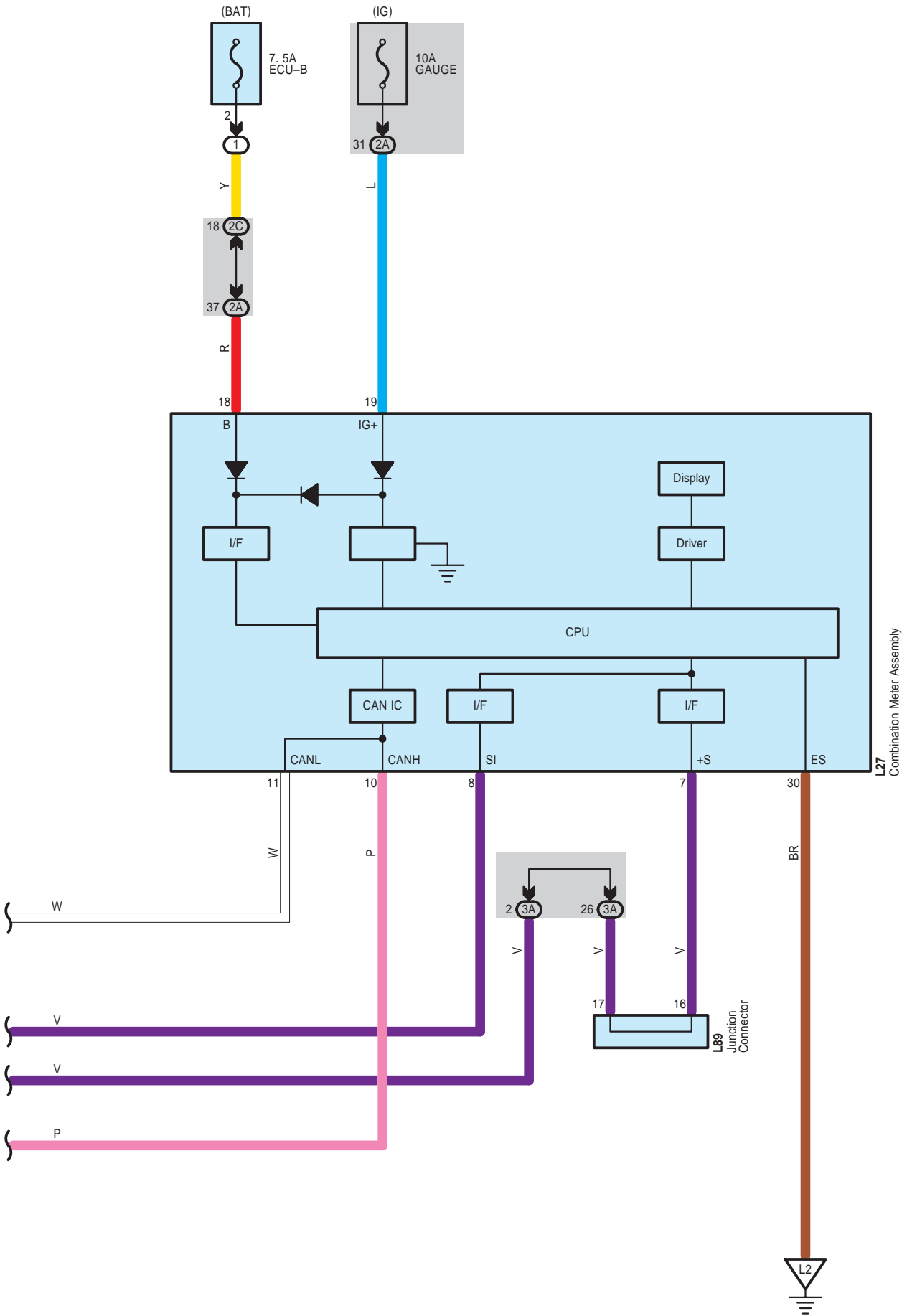


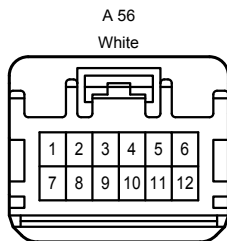
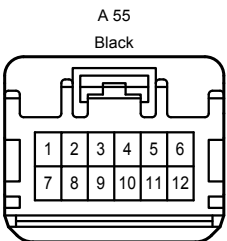
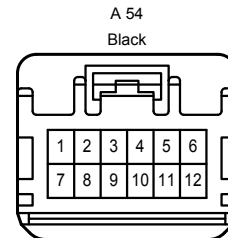
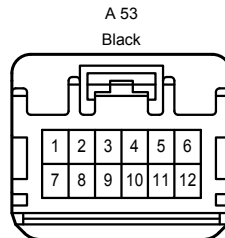
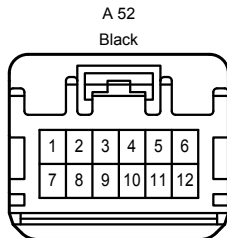
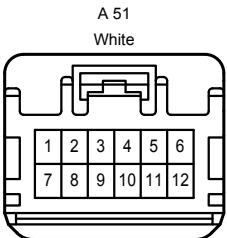
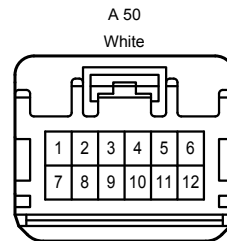
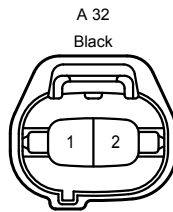
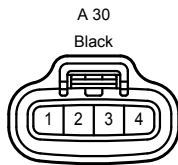
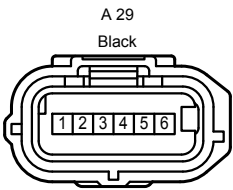
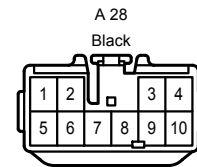
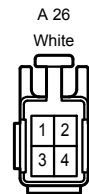
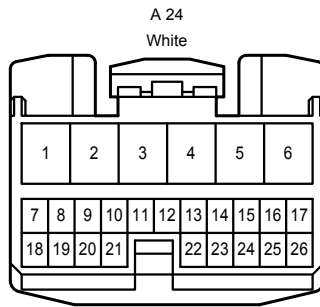
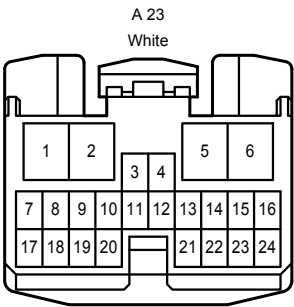
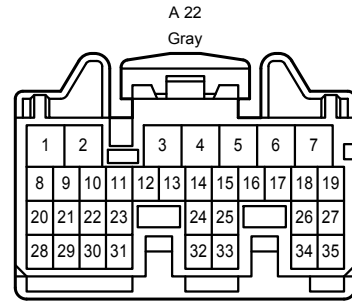
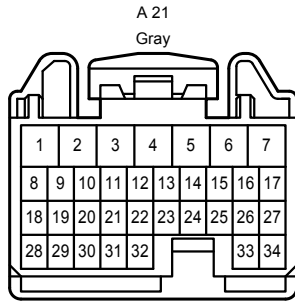
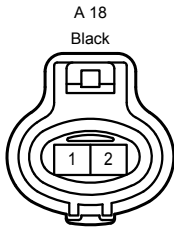




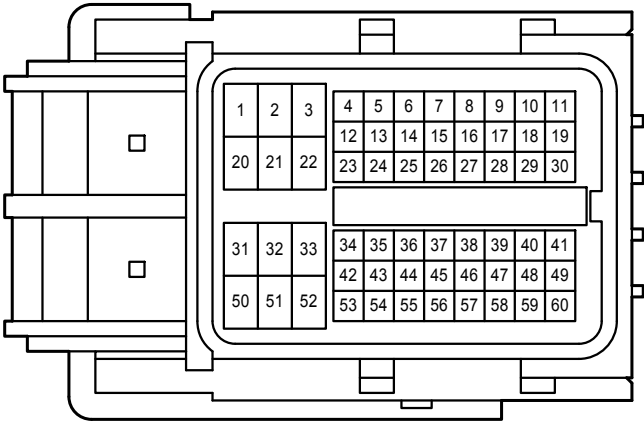




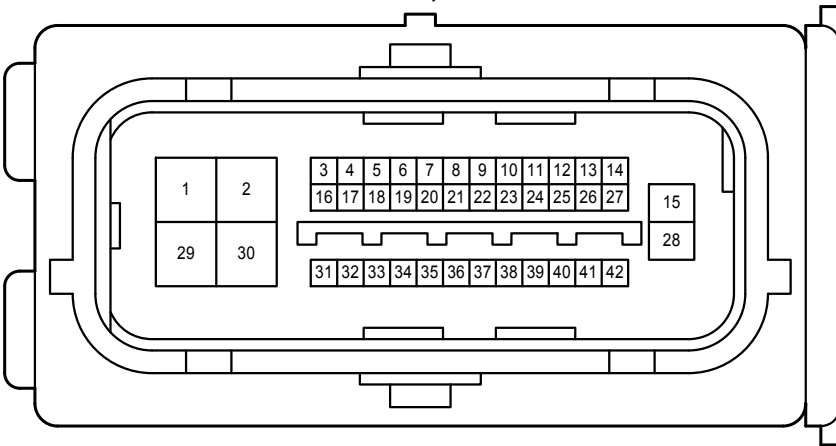




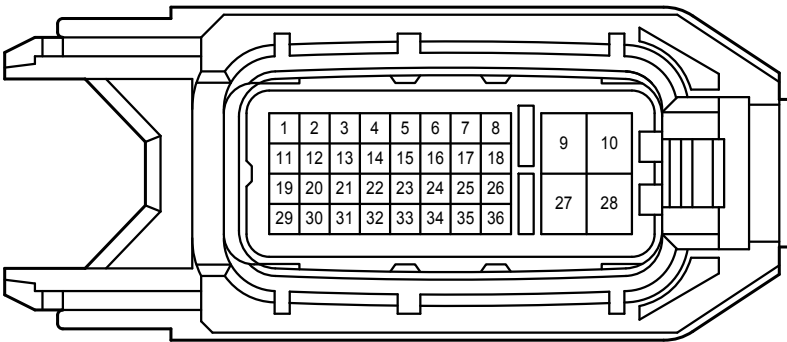
A 57
Black



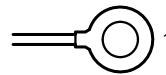
A 58
Gray



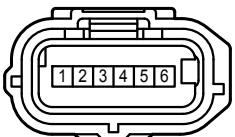
A 59
Black



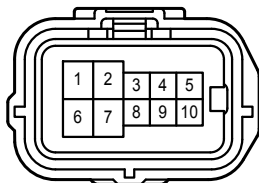
B 1



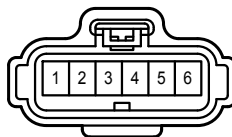
D 1
Black



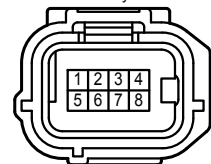
D 2
Black



D 4
Black



D 7
Gray



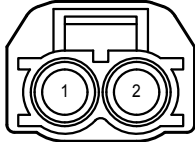
D 8

Black



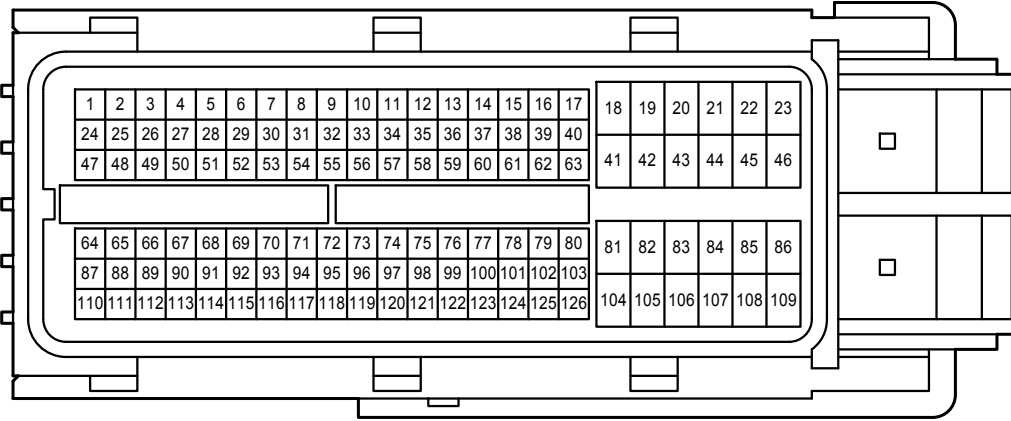
D 27

Black



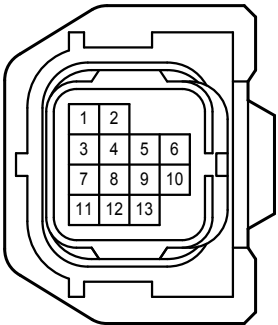
D 28

Black



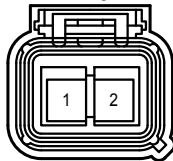
D 29

Black



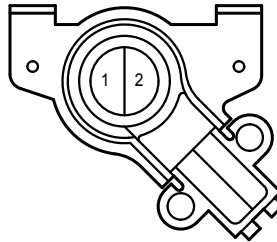
E 1

Orange



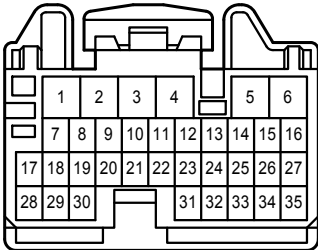
E 2

White



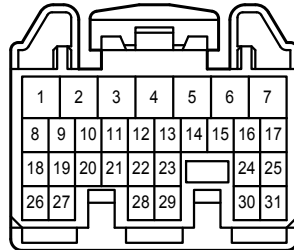
L 5

Gray



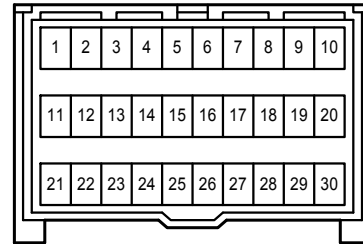
L 6

Gray



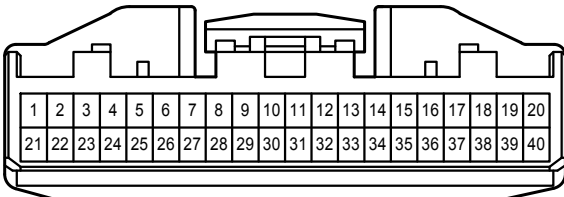
L 16

Yellow



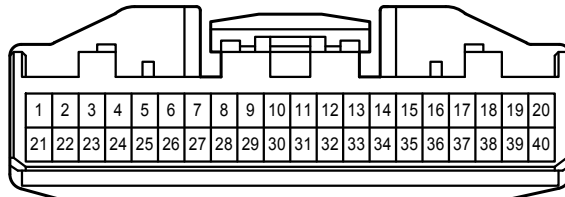
L 17

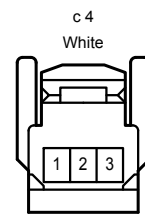
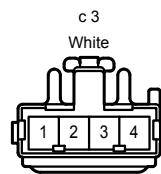
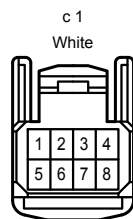
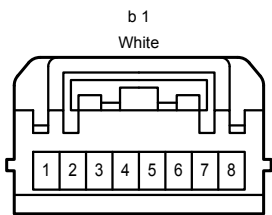
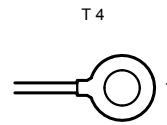
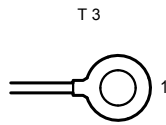
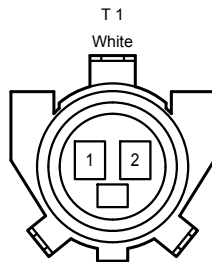
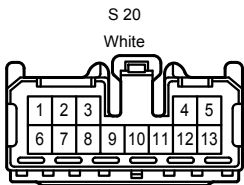
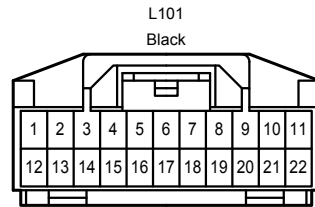
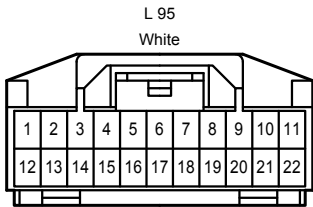
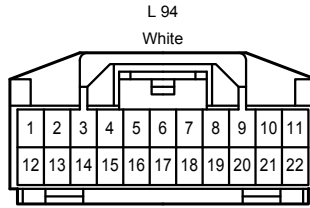
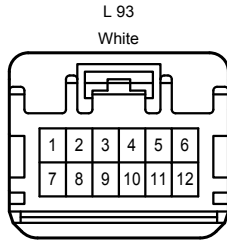
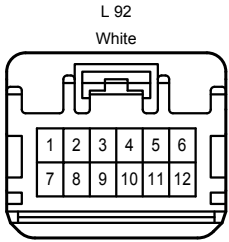
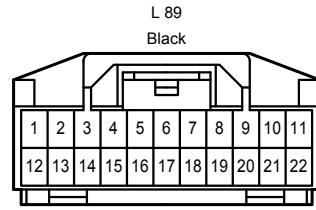
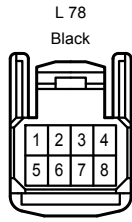
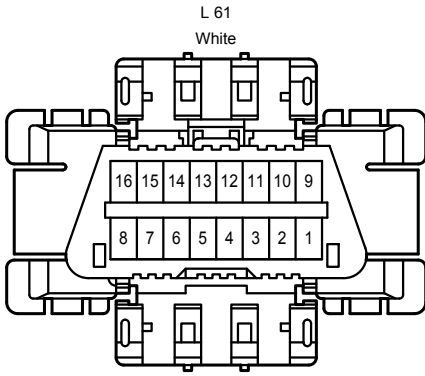
White

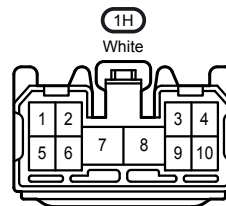
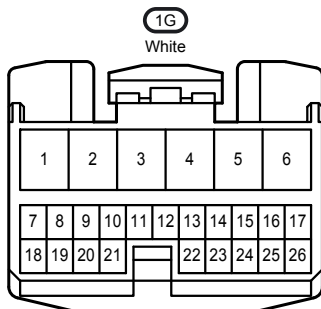
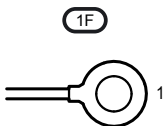
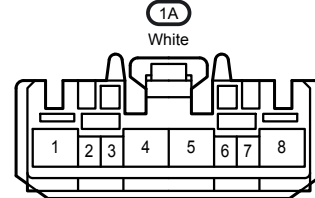
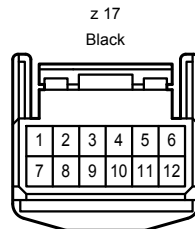
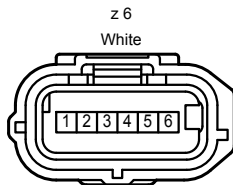
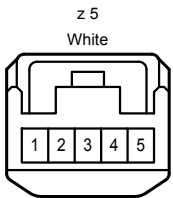
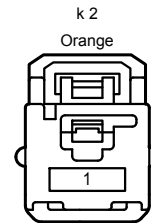
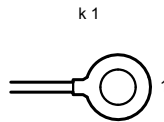
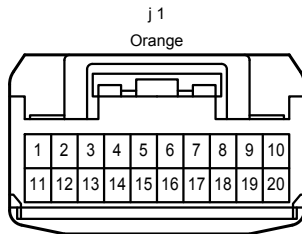
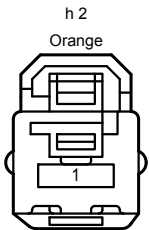
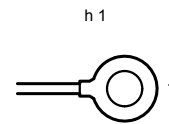
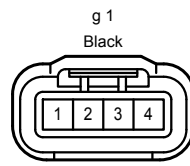
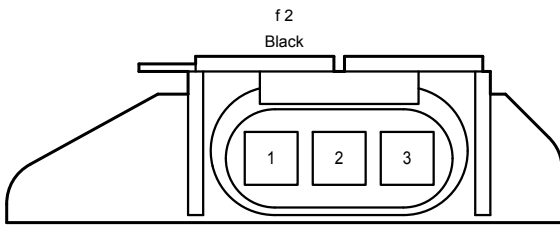
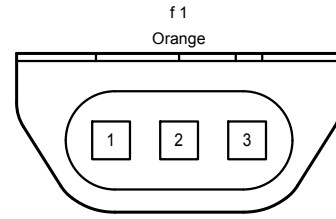
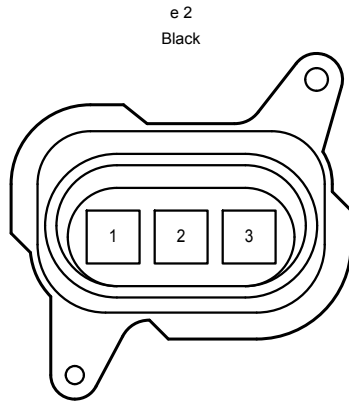
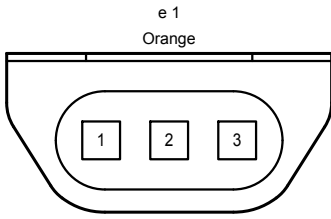


L 27

White

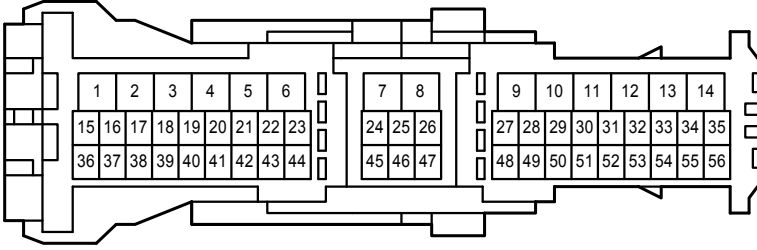






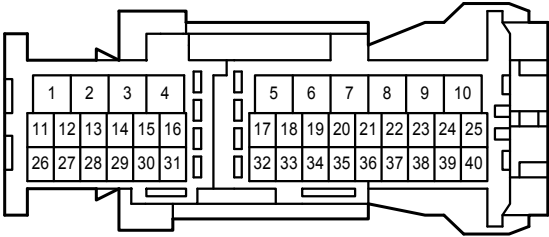
2A

White



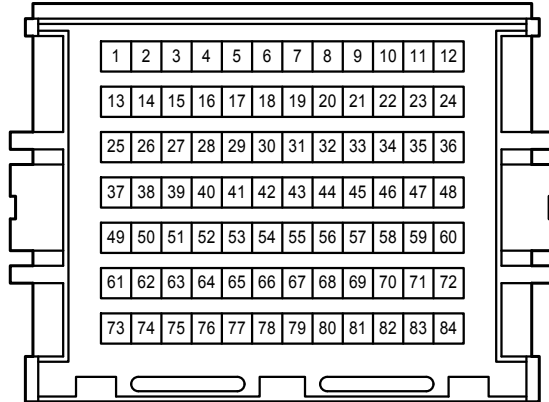
2C

White



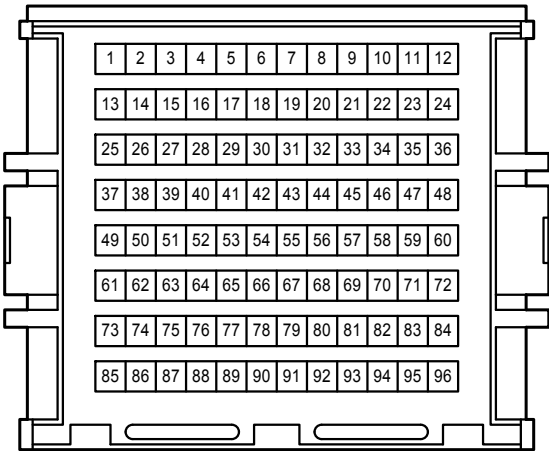
3A

White



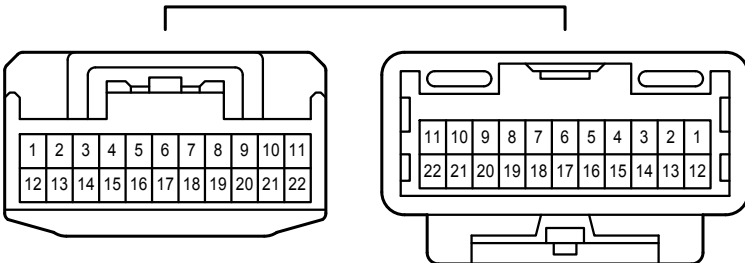
3B

White

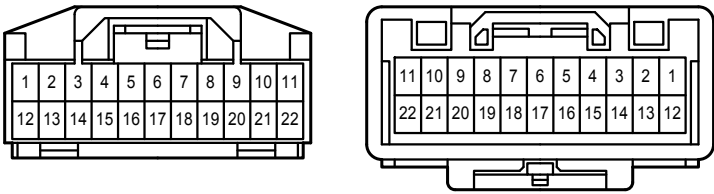


AL1

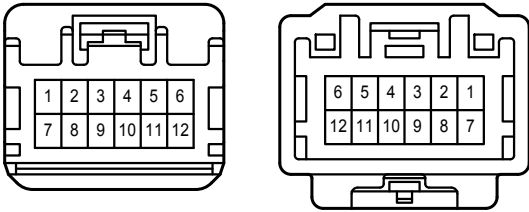
Blue



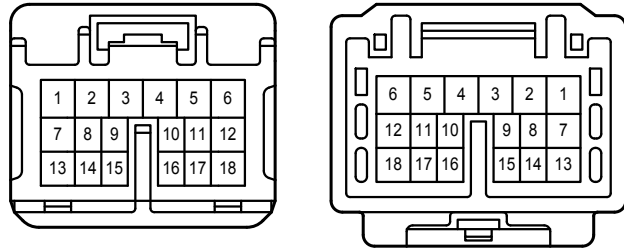
AL2
Gray



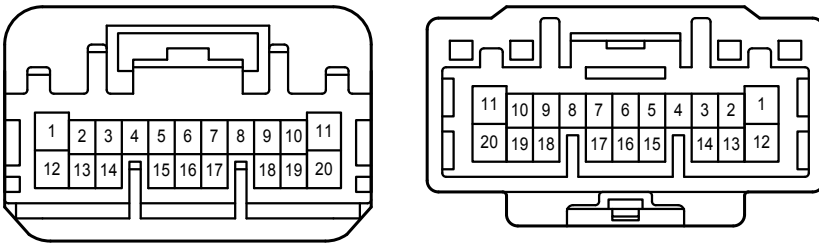
AL3
White



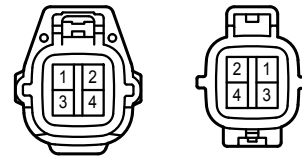
AL8
White



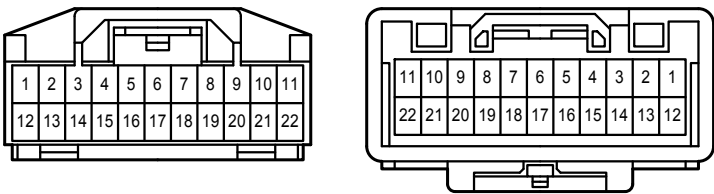
AS1
White



Ag1
Black



DA1
White



DA2
White

