

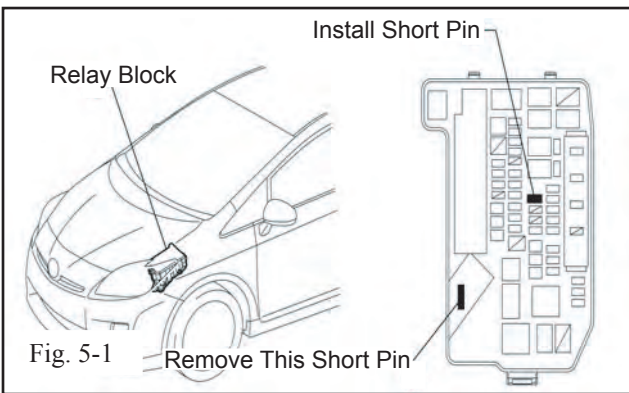
- (o) Plug the BLACK wire **without** BLUE marking on spade end of the EC mirror harness into T-tap connector on WHITE w/ BLACK TRACE (pin #2) wire. (Fig. 4-14)



- (1) Ensure that the spade end is properly seated into the T-tap.



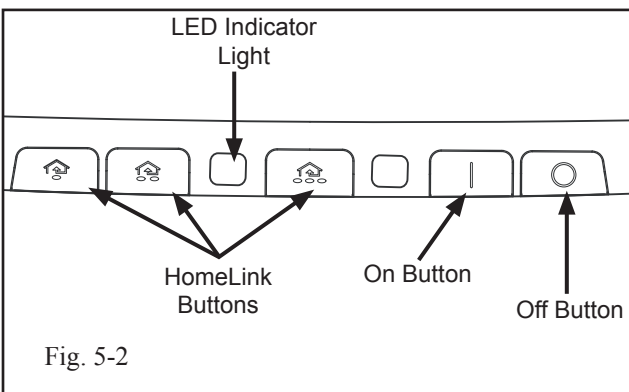
- (p) Bundle any excess wire and secure it to the OE harness with one (1) wire tie as shown. (Fig. 4-15)



### 5. Testing

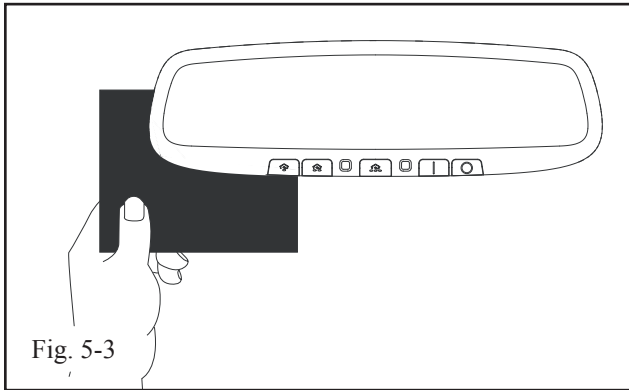
- (a) If necessary, install the short pin located in the engine compartment relay block. (Fig. 5-1)
- (b) Temporarily reconnect the negative battery terminal.
- (c) HomeLink® Feature:

- (1) Push in HomeLink buttons, one at a time. Verify that the LED indicator light is red when each switch is pushed. (Fig. 5-2)



**NOTE:** The owner of the vehicle will need to program HomeLink. See the HomeLink® programming instructions or visit the HomeLink® website at [www.homelink.com](http://www.homelink.com).

- (d) Turn the ignition switch to ON.
- (e) With the vehicle in a fairly well lit area, perform the following test:



(f) Auto-Dimming Feature:

- (1) To make sure the auto-dimming feature is on, verify that the LED indicator light is on. If it is not on, push the “On” button for 3 seconds, or until the LED is illuminated.

**NOTE: Headlights must be ON in order for auto-dimming feature to operate.**

- (2) Cover the forward-looking light sensor located on the back of the mirror with a dark cloth or towel. (Fig. 5-3)
- (3) In a few seconds, the mirror will begin to darken (time may vary with ambient light levels).
- (4) Remove the cover from the forward-looking light sensor and the mirror will begin to clear.

(g) Turn ignition OFF.

(h) Disconnect the negative battery terminal.

## 6. Final Assembly

- (a) Reinstall a-pillar trim, driver side kick panel and door sill plate.

- (1) Make sure the EC mirror harness goes through the slot in the roof top molding (if applicable).



- (b) Remove fingerprints, smudges, dirt, etc. from mirror and windshield with Household Windex.

- (1) When cleaning with Household Windex, follow the manufacturer’s directions. Do not allow cleaner to air dry.

**NOTE:** Do not spray cleaner directly on the mirror.

- (c) Verify each reinstalled component for proper fit and function.