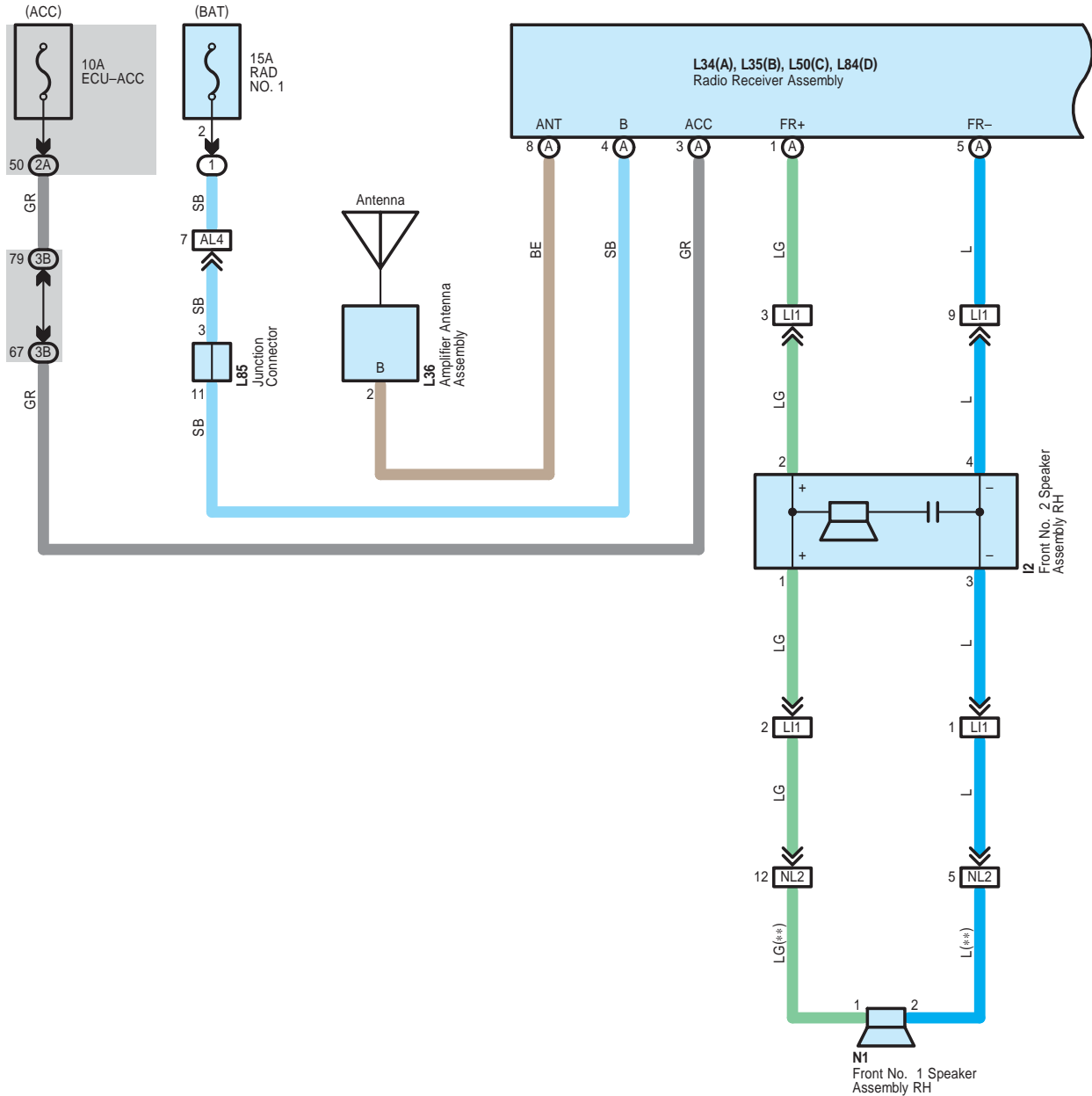
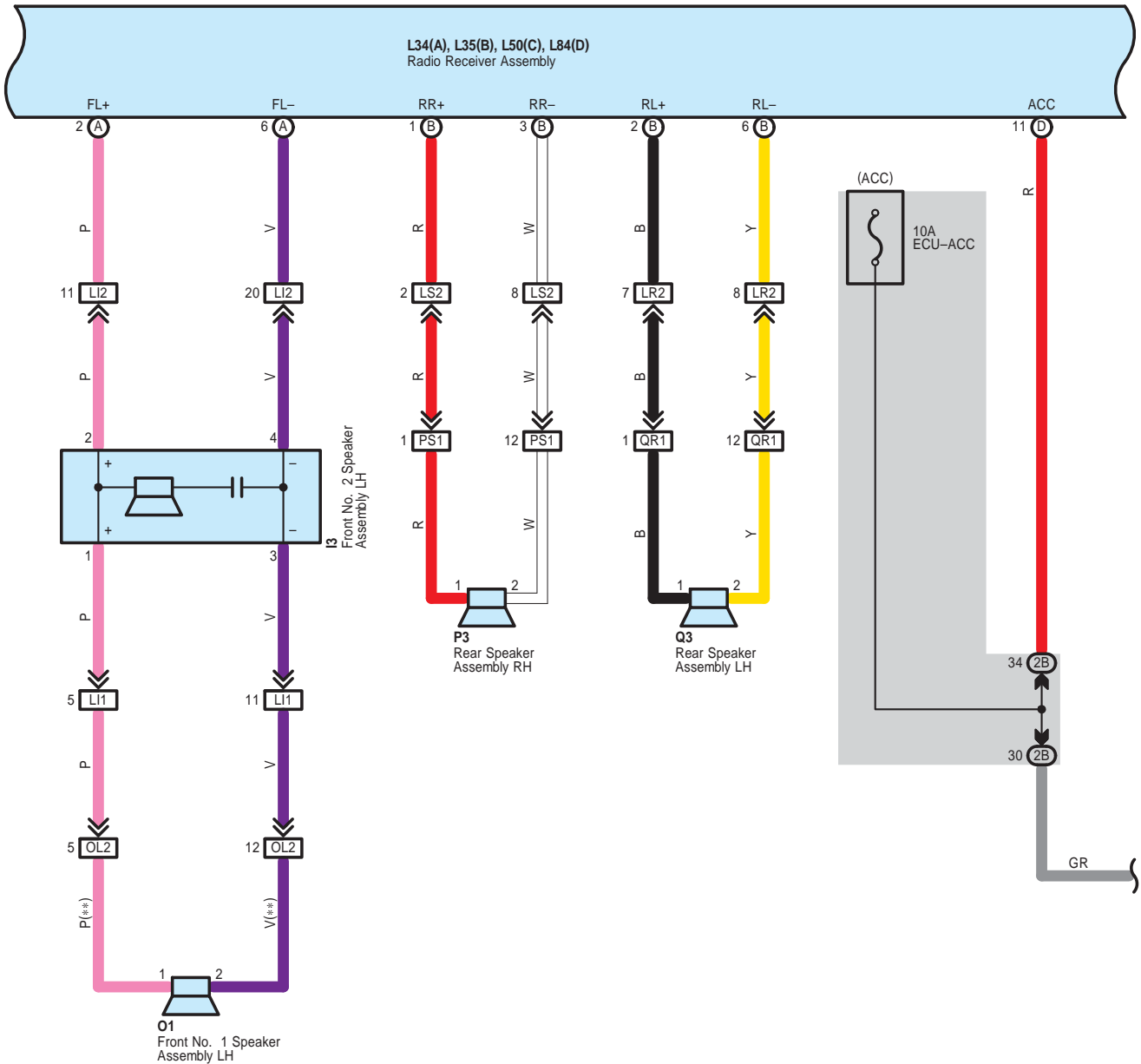
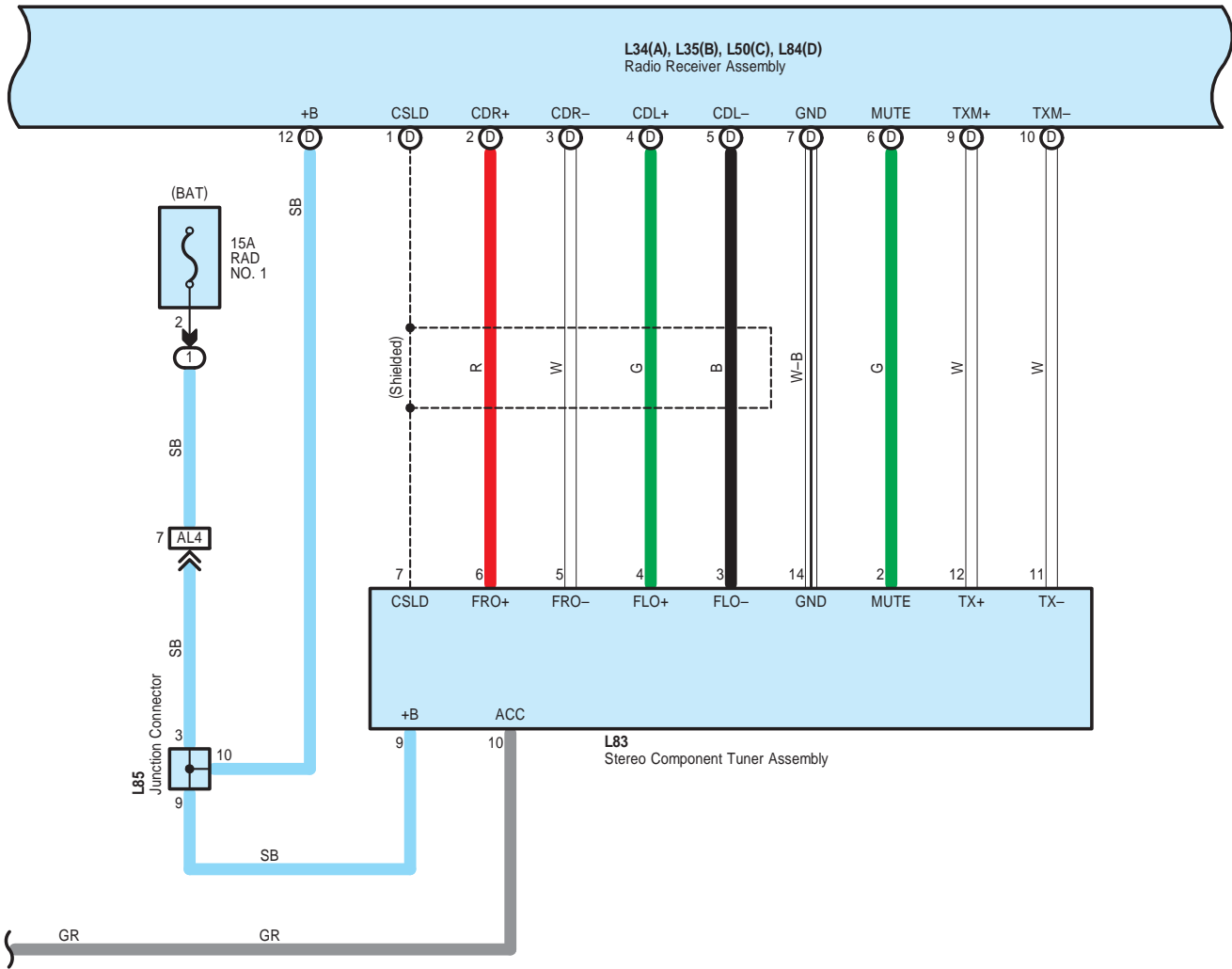


Audio System <w/o Stereo Component Amplifier>

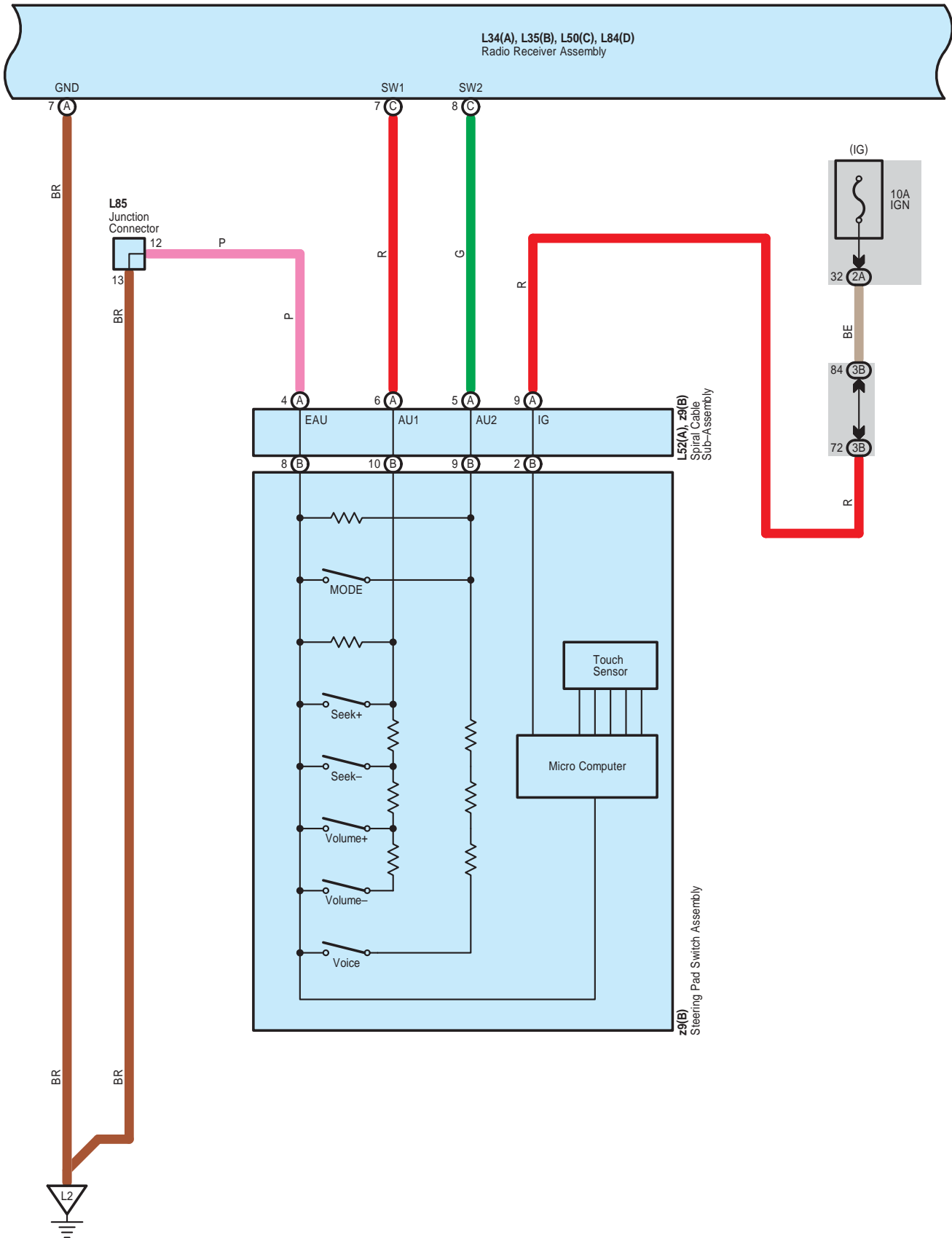


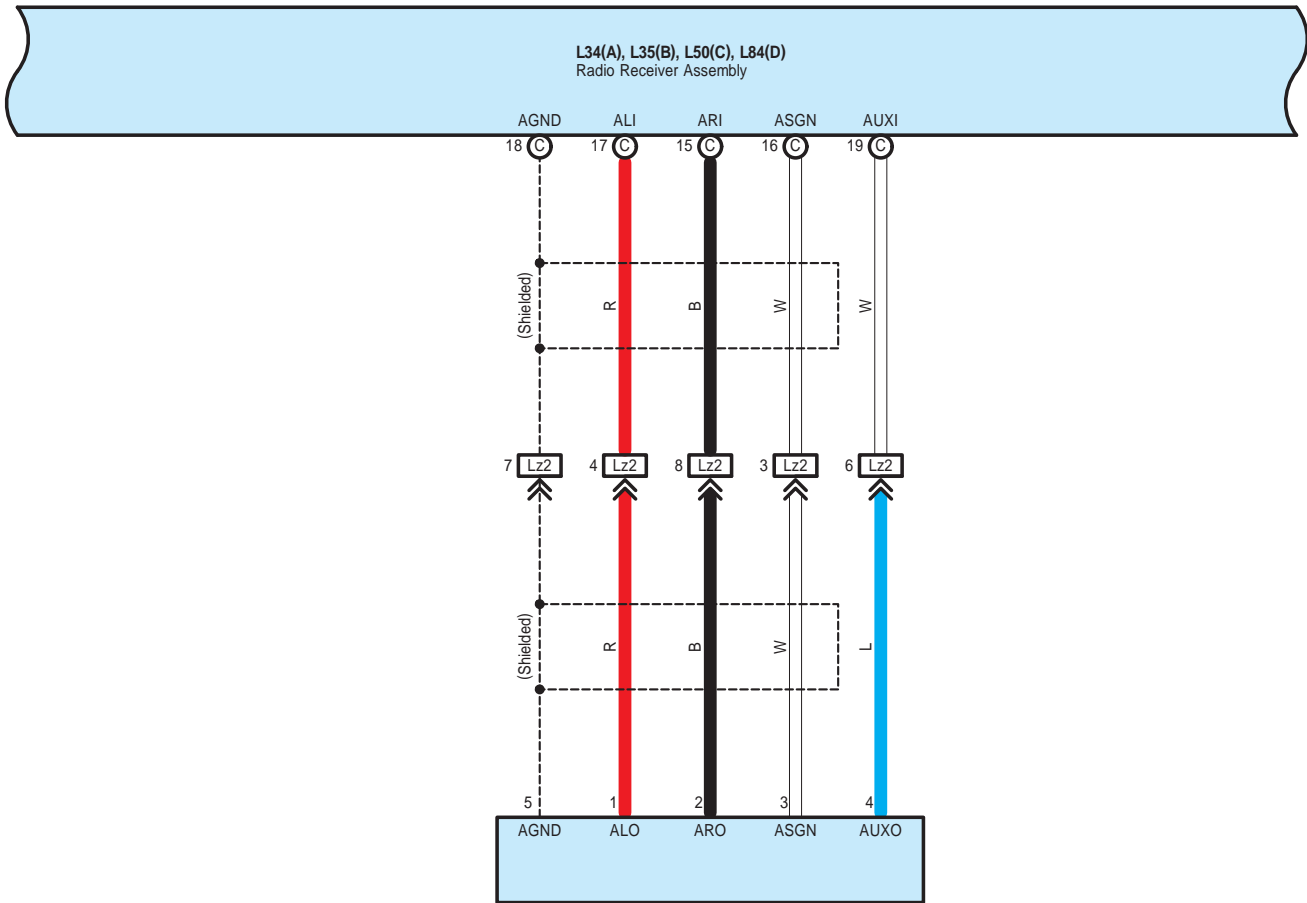


When wiring colors are indicated with (**), either the colored wiring (general wiring) or the painted wiring is used.



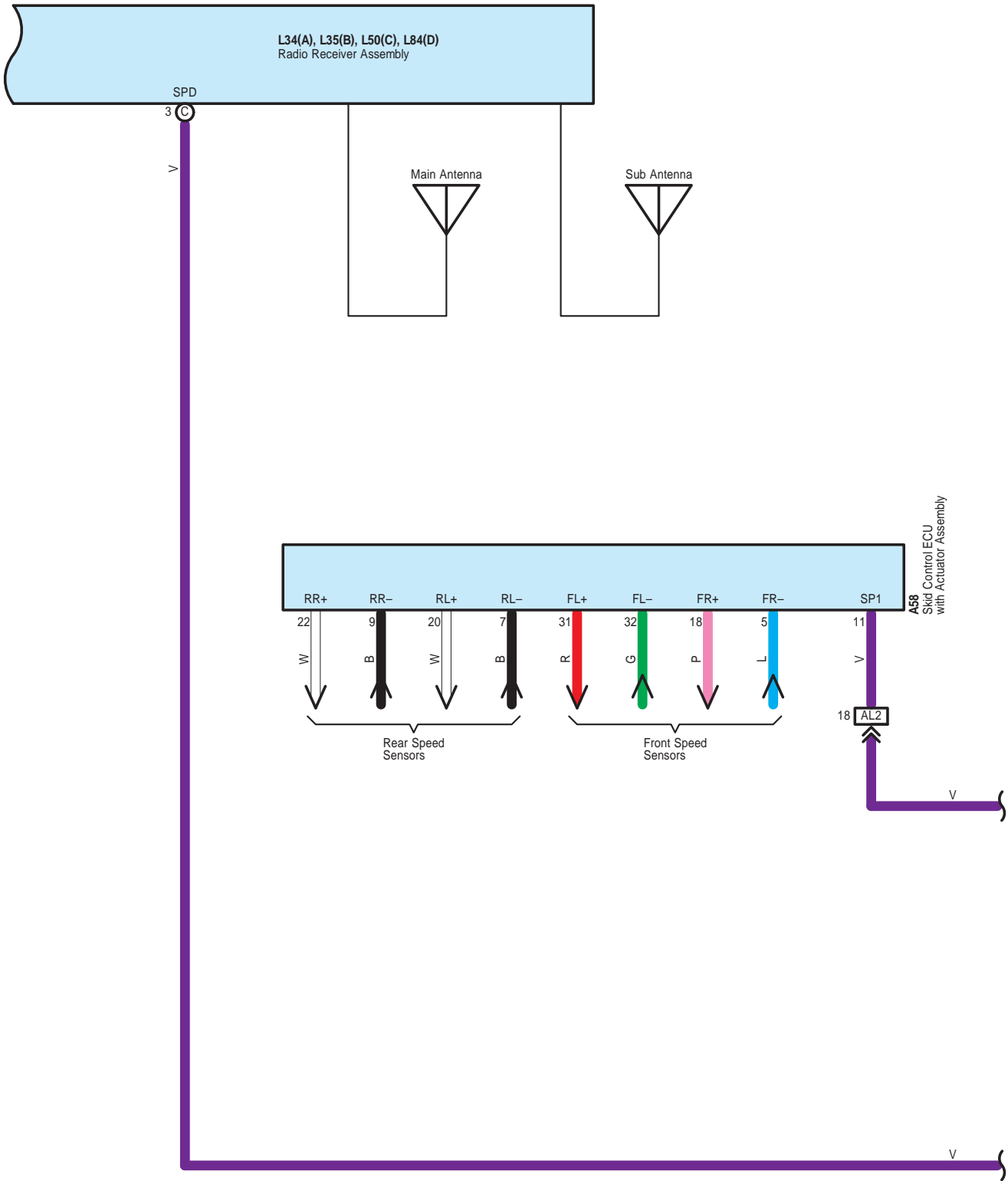
Audio System <w/o Stereo Component Amplifier>



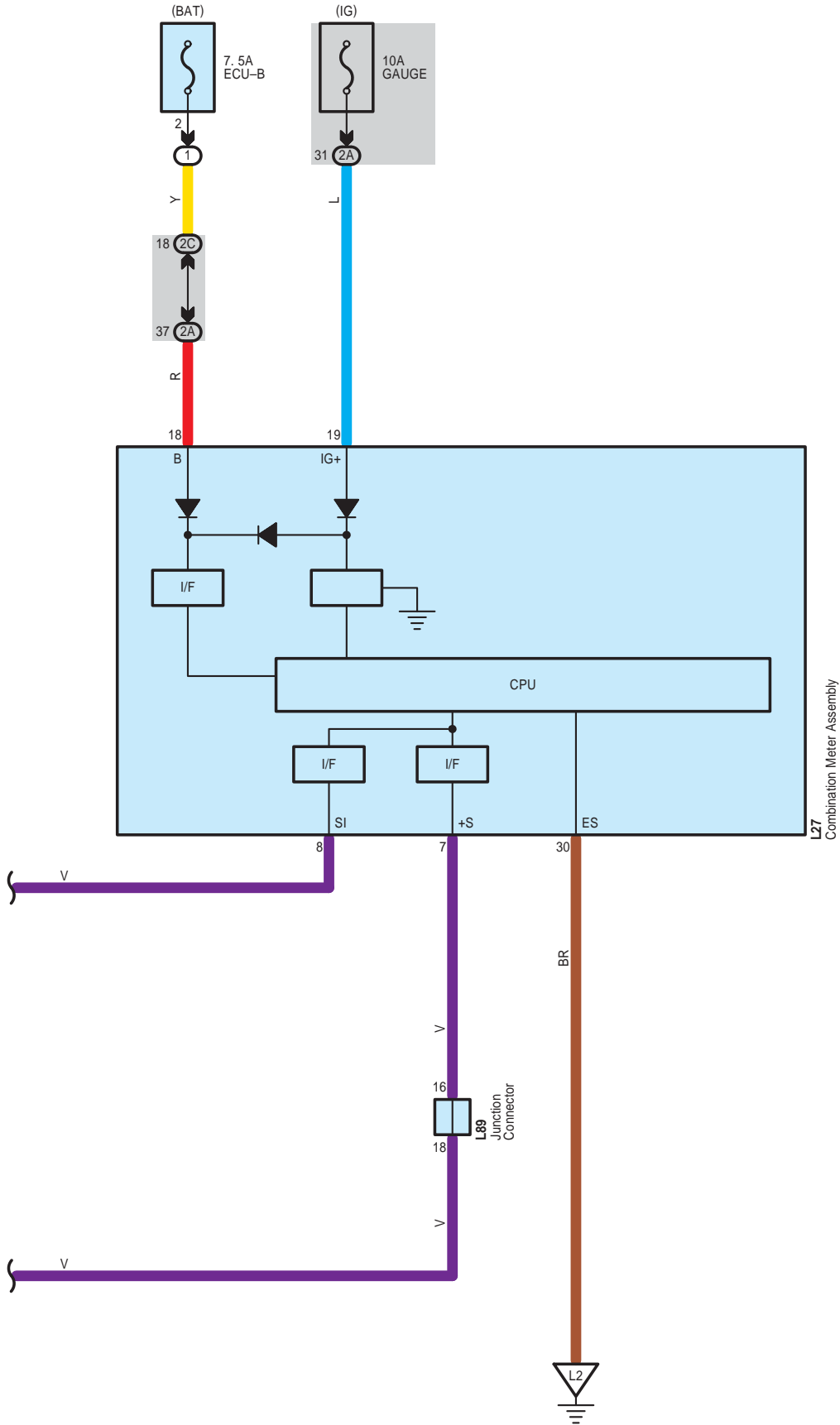


z19
No. 1 Stereo Jack
Adapter Assembly

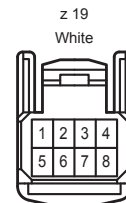
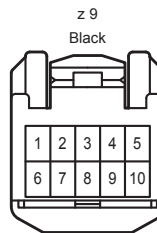
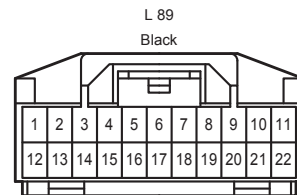
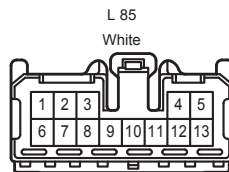
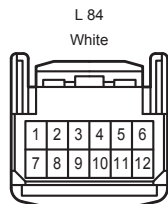
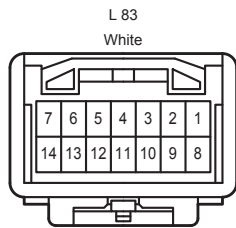
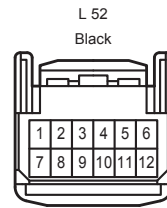
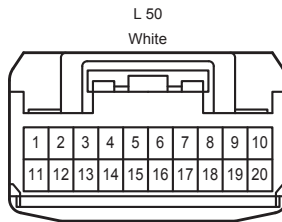
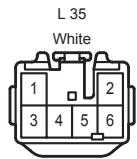
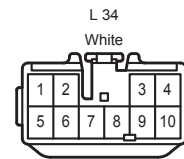
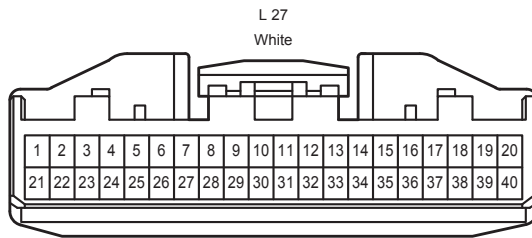
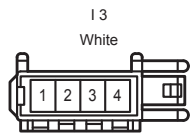
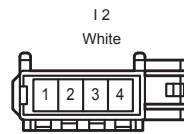
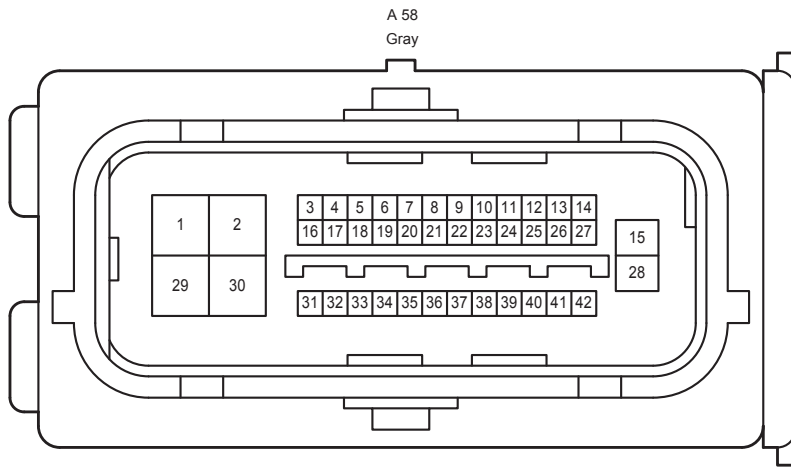
Audio System <w/o Stereo Component Amplifier>



Audio System <w/o Stereo Component Amplifier>

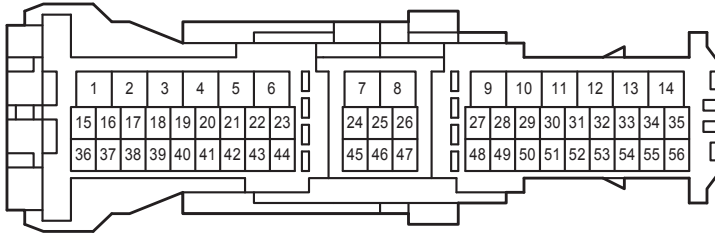


Audio System <w/o Stereo Component Amplifier>

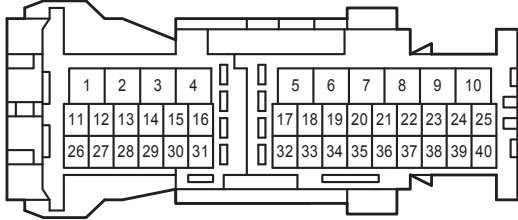


Audio System <w/o Stereo Component Amplifier>

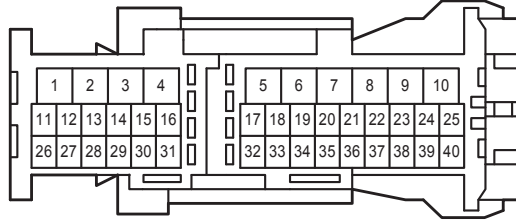
2A
White



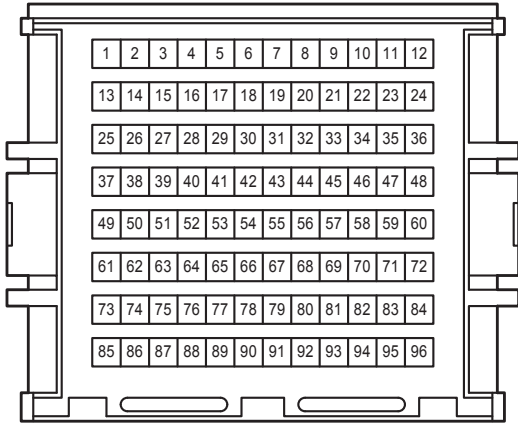
2B
White



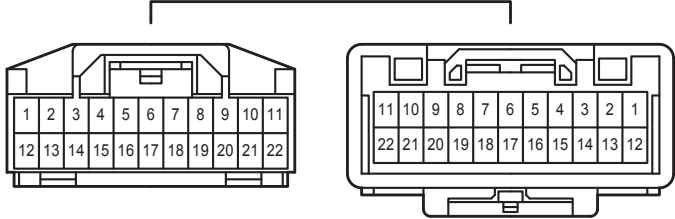
2C
White



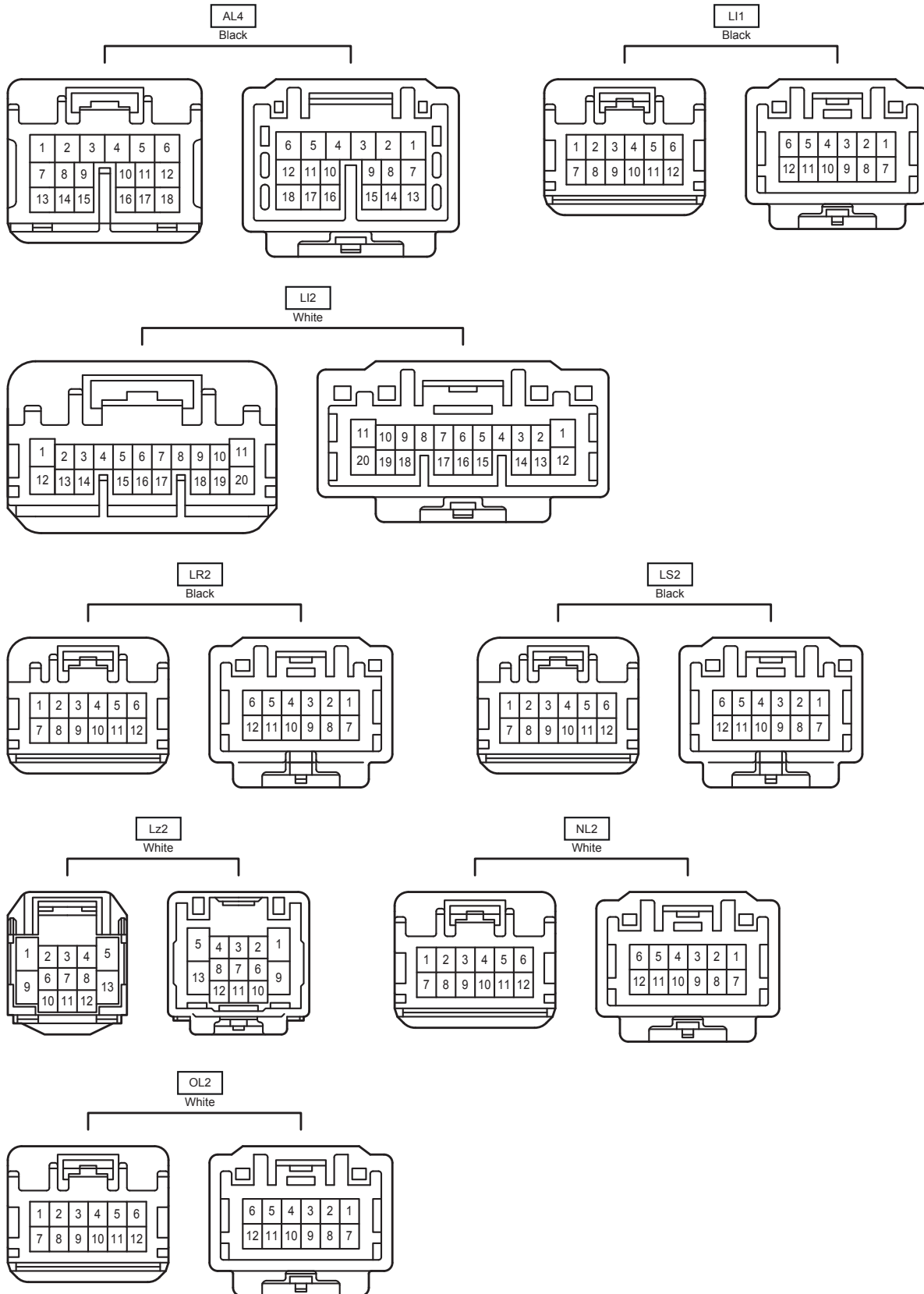
3B
White



AL2
Gray

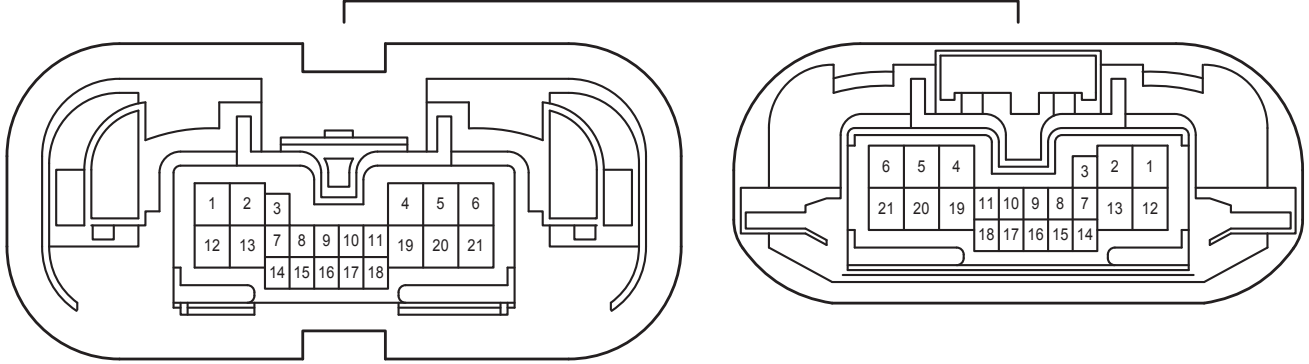


Audio System <w/o Stereo Component Amplifier>



Audio System <w/o Stereo Component Amplifier>

PS1
White



QR1
White

