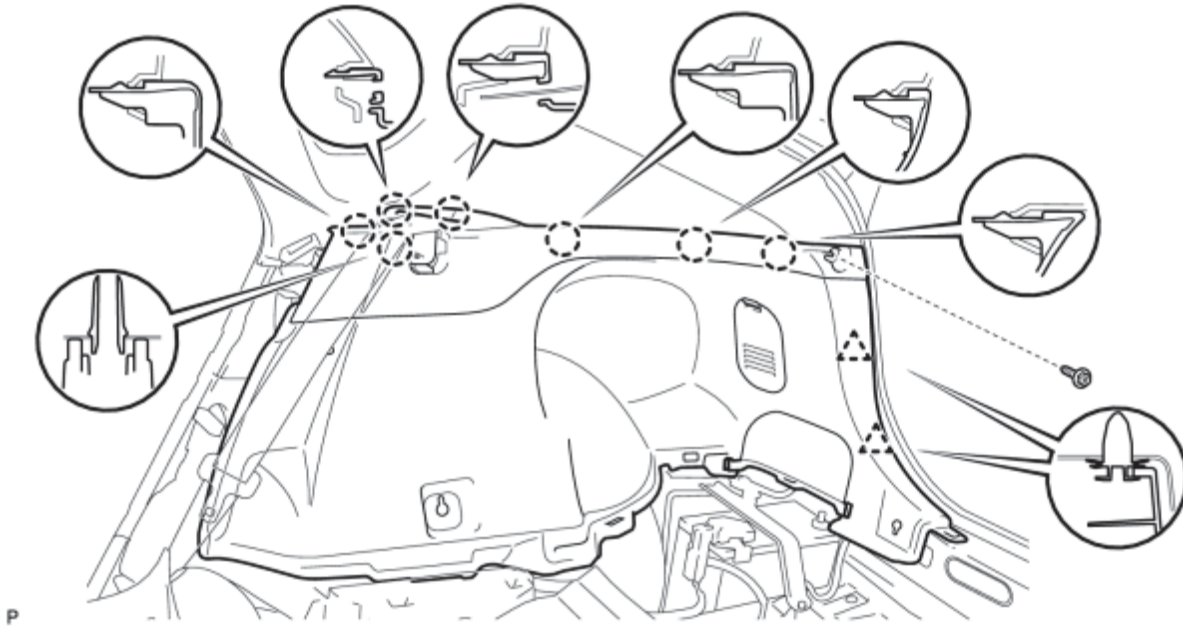


Use the same procedure described for the LH side.

#### 43. REMOVE DECK TRIM SIDE PANEL ASSEMBLY RH

(a) Remove the screw.

(b) Disengage the 7 claws and 2 clips, and remove the deck trim side panel assembly RH.



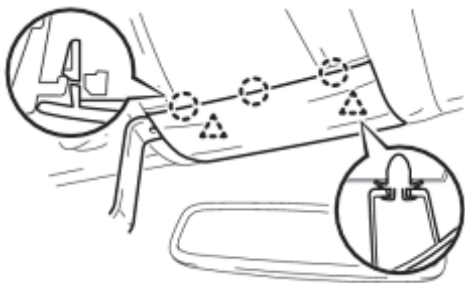
#### 44. REMOVE ROOF SIDE INNER GARNISH ASSEMBLY RH

HINT:

Use the same procedure described for the LH side.

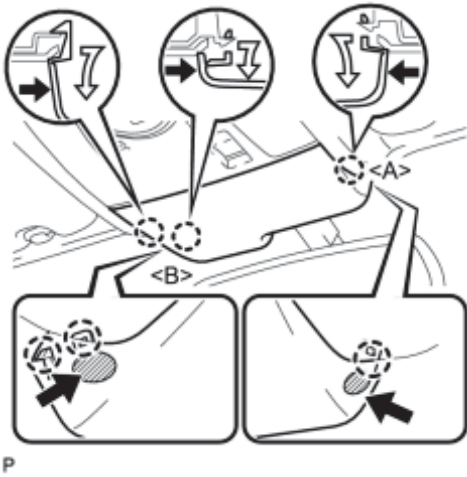
#### 45. REMOVE INNER REAR VIEW MIRROR COVER (w/ EC Mirror) INFO

#### 46. REMOVE ROOF TOP MOULDING (w/o Lane Keeping Assist System)



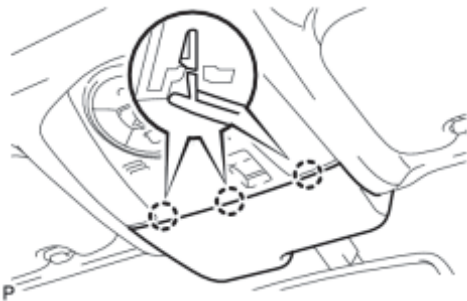
(a) Using a moulding remover, disengage the 3 claws and 2 clips, and remove the roof top moulding.

#### 47. REMOVE ROOF TOP MOULDING (w/ Lane Keeping Assist System)



(a) Disengage the claw <A> as shown in the illustration.

(b) Disengage the 2 claws <B> as shown in the illustration.



(c) Disengage the 3 claws and remove the roof top moulding.

#### 48. REMOVE LANE RECOGNITION CAMERA SENSOR ASSEMBLY (w/ Lane Keeping Assist System)

INFO

#### 49. REMOVE MAP LIGHT ASSEMBLY (w/o Sliding Roof)

INFO

#### 50. REMOVE MAP LIGHT ASSEMBLY (w/ Sliding Roof)

INFO

#### 51. REMOVE NO. 1 ROOM LIGHT ASSEMBLY

INFO

#### 52. REMOVE FRONT ASSIST GRIP ASSEMBLY

(a) Using a clip remover, disengage the 4 claws.

NOTICE:

Do not forcibly pry the assist grip covers to prevent them from being deformed.

- Gently pry on the assist grip covers as shown in the illustration to remove them.

# COMPONENTS

## ILLUSTRATION

w/o Lane Keeping Assist System:




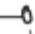
ROOF TOP MOULDING

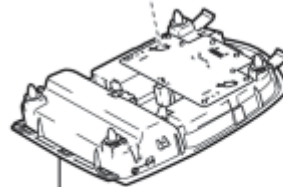
w/ Lane Keeping Assist System:



ROOF TOP MOULDING

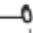
w/o Sliding Roof:

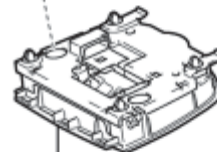
MAP LIGHT SOCKET —  x 2  
MAP LIGHT BULB —  x 2



MAP LIGHT ASSEMBLY

w/ Sliding Roof:

MAP LIGHT SOCKET —  x 2  
MAP LIGHT BULB —  x 2



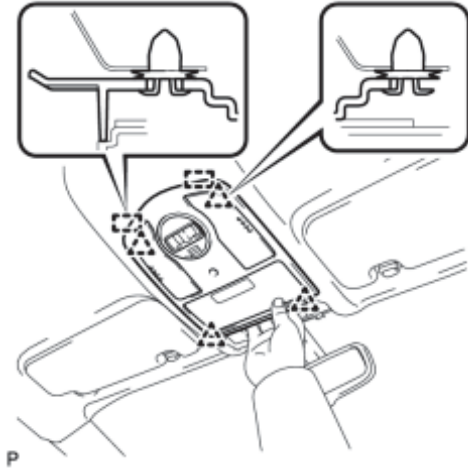
MAP LIGHT ASSEMBLY

# REMOVAL

1. REMOVE ROOF TOP MOULDING (w/o Lane Keeping Assist System) INFO

2. REMOVE ROOF TOP MOULDING (w/ Lane Keeping Assist System) INFO

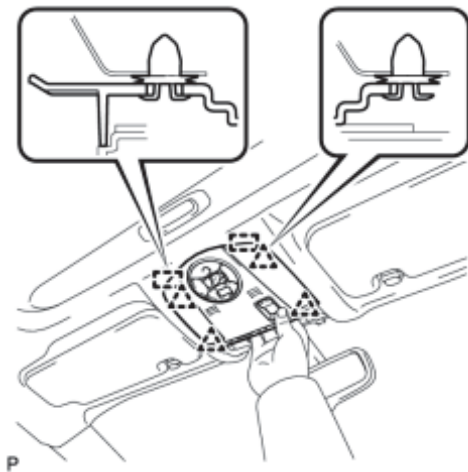
3. REMOVE MAP LIGHT ASSEMBLY (w/o Sliding Roof)



(a) Disengage the 4 clips and 2 guides as shown in the illustration.

(b) Disconnect the connector and remove the map light assembly.

4. REMOVE MAP LIGHT ASSEMBLY (w/ Sliding Roof)

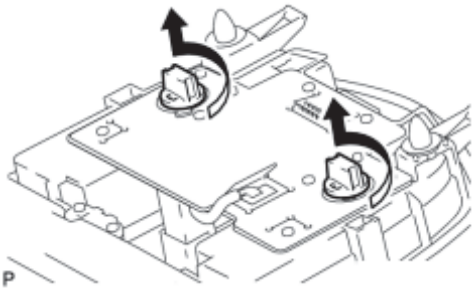


(a) Disengage the 4 clips and 2 guides as shown in the illustration.

(b) Disconnect the connector and remove the map light assembly.

5. REMOVE MAP LIGHT BULB

(a) Turn the 2 map light bulbs and 2 map light sockets in the direction indicated by the arrows in the illustration and remove them as a unit.



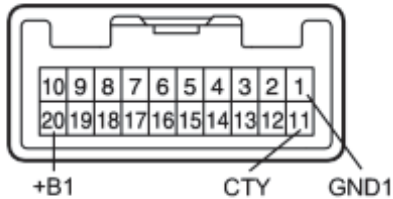
(b) Remove the 2 map light bulbs from the 2 map light sockets.

# INSPECTION

## 1. INSPECT MAP LIGHT ASSEMBLY (w/o Sliding Roof)

(a) Inspect the interior light operation.

\*1



(1) Connect a positive (+) lead from the battery to terminal 20 (+B1) and a negative (-) lead to terminal 11 (CTY).

P

(2) Turn the interior light door switch on.

(3) Turn the personal light switch off.

(4) Check that the interior lights come on.

OK:

Interior lights come on.

### *Text in Illustration*

*1	Component without harness connected (Map Light Assembly)
----	---

If the result is not as specified, replace the bulb or map light assembly.

(b) Inspect the personal light operation.

(1) Connect a positive (+) lead from the battery to terminal 20 (+B1) and a negative (-) lead to terminal 1 (GND1).

(2) Check that the personal lights come on.

OK:

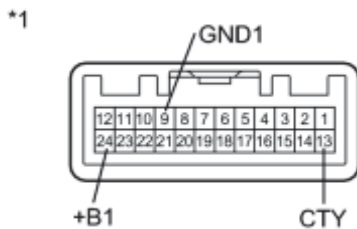
Condition	Specified Condition
-----------	---------------------

Condition	Specified Condition
Personal light switch LH on	Personal light LH comes on
Personal light switch LH off	Personal light LH does not come on
Personal light switch RH on	Personal light RH comes on
Personal light switch RH off	Personal light RH does not come on

If the result is not as specified, replace the bulb or map light assembly.

## 2. INSPECT MAP LIGHT ASSEMBLY (w/ Sliding Roof)

(a) Inspect the interior light operation.



(1) Connect a positive (+) lead from the battery to terminal 24 (+B1) and a negative (-) lead to terminal 13 (CTY).

(2) Turn the interior light door switch on.

(3) Turn the personal light switch off.

(4) Check that the interior lights come on.

OK:

Interior lights come on.

### *Text in Illustration*

*1	Component without harness connected (Map Light Assembly)
----	---

If the result is not as specified, replace the bulb or map light assembly.

(b) Inspect the personal light operation.

(1) Connect a positive (+) lead from the battery to terminal 24 (+B1) and a negative (-) lead to terminal 9 (GND1).

(2) Check that the personal lights come on.

OK:

<b>Condition</b>	<b>Specified Condition</b>
Personal light switch LH on	Personal light LH comes on
Personal light switch LH off	Personal light LH does not come on
Personal light switch RH on	Personal light RH comes on
Personal light switch RH off	Personal light RH does not come on

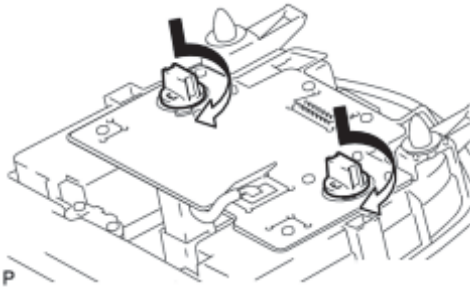
If the result is not as specified, replace the bulb or map light assembly.



# INSTALLATION

## 1. INSTALL MAP LIGHT BULB

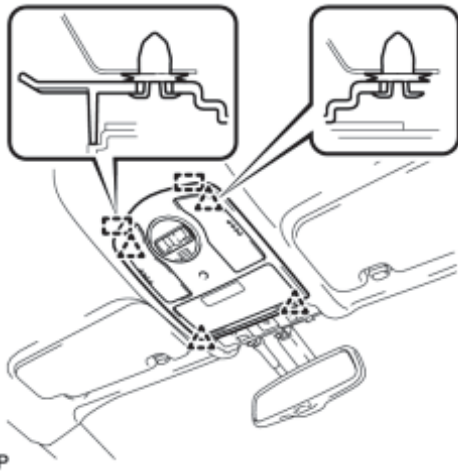
(a) Install the 2 map light bulbs to the 2 map light sockets.



(b) Turn the 2 map light bulbs and 2 map light sockets in the direction indicated by the arrows in the illustration and install them as a unit.

## 2. INSTALL MAP LIGHT ASSEMBLY (w/o Sliding Roof)

(a) Connect the connector.

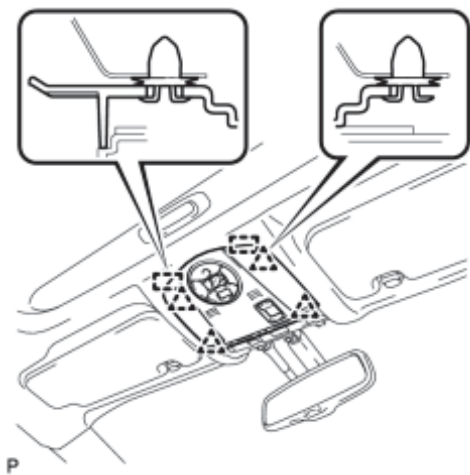


(b) Engage the 2 guides and 4 clips, and install the map light assembly.

## 3. INSTALL MAP LIGHT ASSEMBLY (w/ Sliding Roof)

(a) Connect the connector.

(b) Engage the 2 guides and 4 clips, and install the map light assembly.



4. INSTALL ROOF TOP MOULDING (w/o Lane Keeping Assist System) INFO

5. INSTALL ROOF TOP MOULDING (w/ Lane Keeping Assist System) INFO