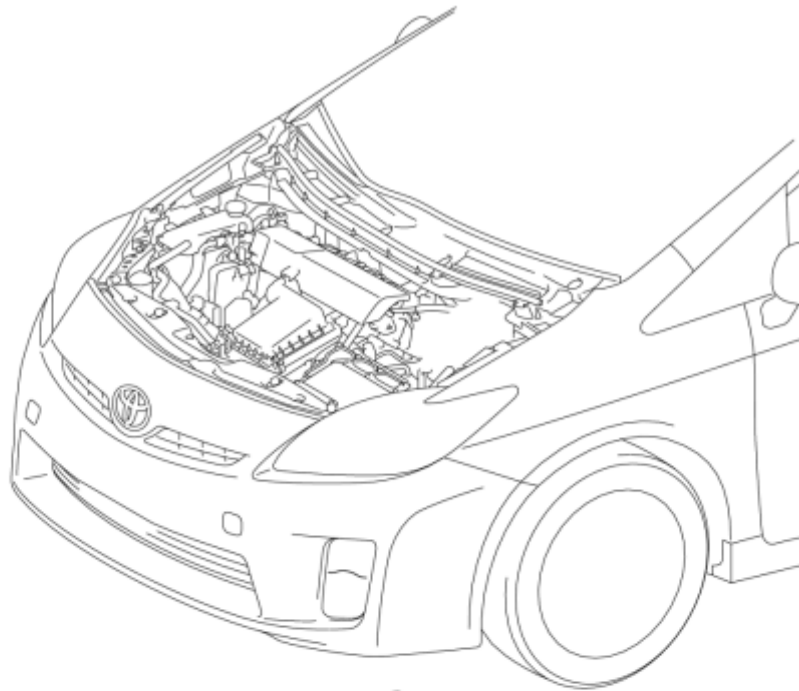
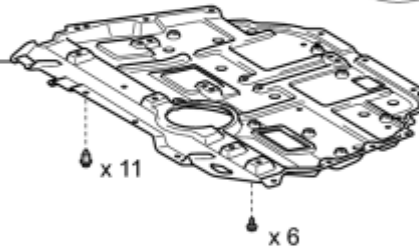


COMPONENTS

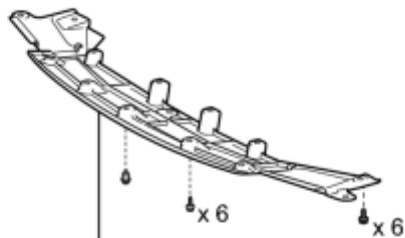
ILLUSTRATION



NO. 1 ENGINE UNDER COVER

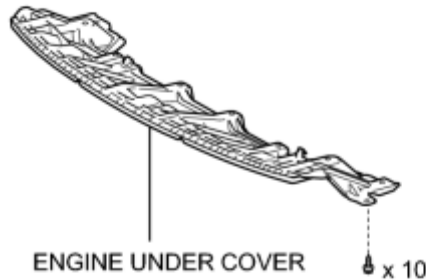


w/ Front Spoiler:



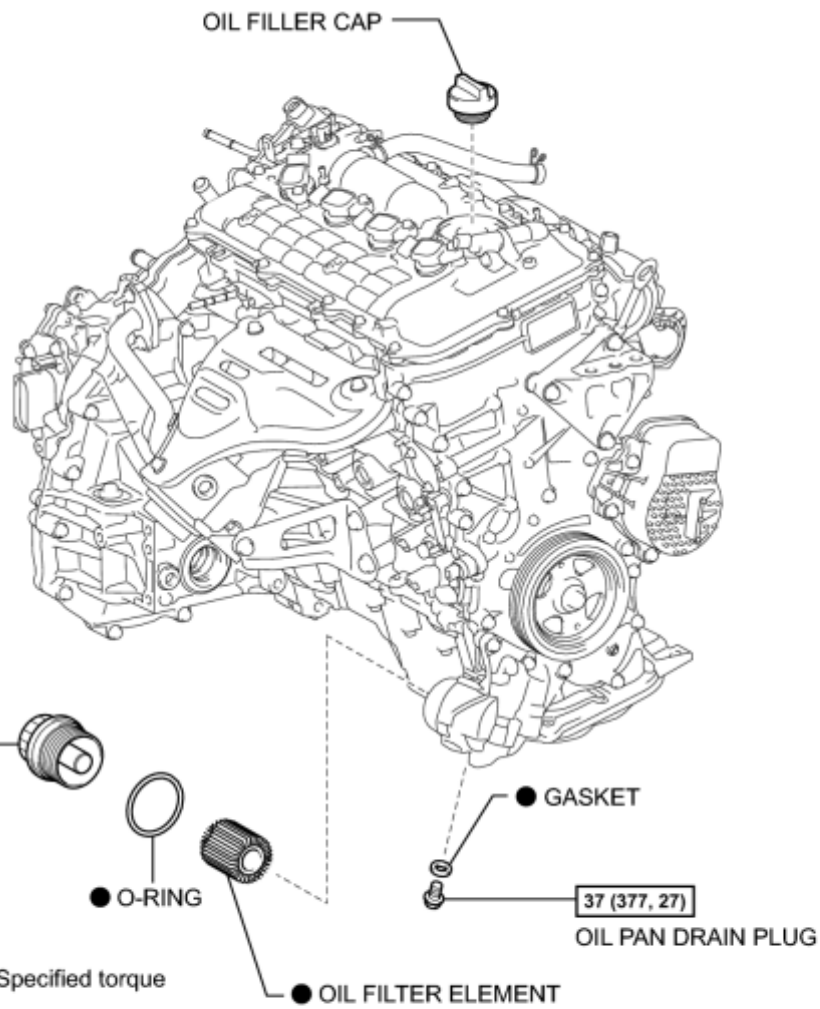
FRONT SPOILER COVER

w/ Cover:



ENGINE UNDER COVER

ILLUSTRATION



c

REPLACEMENT

CAUTION:

- Prolonged and repeated contact with engine oil will result in the removal of natural oils from the skin, leading to dryness, irritation and dermatitis. In addition, used engine oil contains potentially harmful contaminants which may cause skin cancer.
- Wear protective clothing and gloves. Avoid contact with used oil. If contact occurs, wash your skin thoroughly with soap or waterless hand cleaner. Never use gasoline, thinners, or solvents to wash the skin.
- In order to protect the environment, dispose of used oil and used oil filters at designated disposal sites only.

1. REMOVE FRONT SPOILER COVER (w/ Front Spoiler)

2. REMOVE ENGINE UNDER COVER (w/ Cover)

3. REMOVE NO. 1 ENGINE UNDER COVER

4. DRAIN ENGINE OIL

(a) Remove the oil filler cap.

(b) Remove the oil pan drain plug and gasket, and drain the oil into a container.

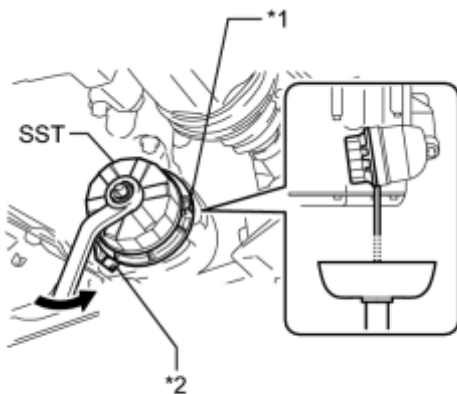
(c) Clean and install the oil pan drain plug with a new gasket.

Torque: **37 N·m (377 kgf·cm, 27ft·lbf)**

5. REMOVE OIL FILTER CAP ASSEMBLY

(a) Using SST, loosen the oil filter cap 4 revolutions, align the cap ribs vertically, and drain the remaining engine oil in the oil filter cap.

Text in Illustration



| | |
|----|-------------------------|
| *1 | Cap Rib |
| *2 | Oil Filter Bracket Clip |

SST: 09228-06501

NOTICE:

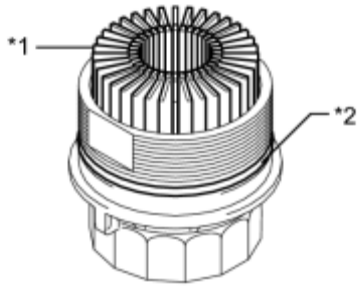
Do not remove the oil filter bracket clip when removing the oil filter cap assembly.

HINT:

Set a container below the oil filter cap assembly before loosening the oil filter cap.

(b) Remove the oil filter cap assembly.

(c) Remove the oil filter element and O-ring from the oil filter cap.



Text in Illustration

| | |
|----|--------------------|
| *1 | Oil Filter Element |
| *2 | O-ring |

NOTICE:

Be sure to remove the O-ring (for the cap) by hand, without using any tools, to prevent damage to the groove for the O-ring on the cap.

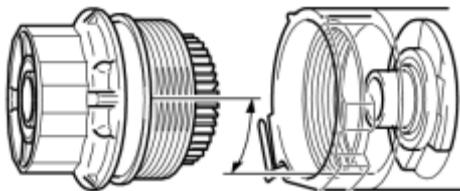
6. INSTALL OIL FILTER CAP ASSEMBLY

(a) Clean the oil filter cap threads and O-ring groove.

(b) Apply a small amount of engine oil to a new O-ring and install it to the oil filter cap.

(c) Set a new oil filter element in the oil filter cap.

(d) Remove any dirt or foreign matter from the installation surface and inside of the engine.



(e) Reapply a small amount of engine oil to the O-ring of the oil filter cap assembly. Align the cutout in the oil filter cap threads 90° to the grooves in the oil filter bracket and temporarily tighten the cap.

NOTICE:

Make sure that the O-ring does not get caught between the parts.

(f) Using SST, tighten the oil filter cap assembly.

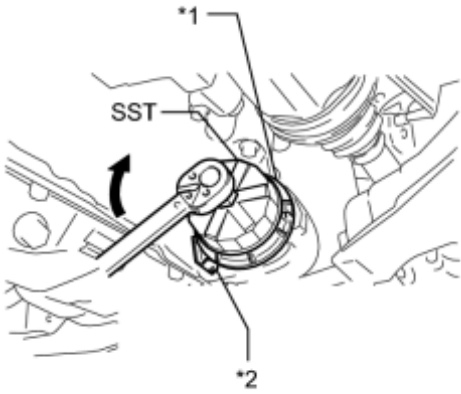
Text in Illustration

| | |
|----|-------------------------|
| *1 | No Clearance |
| *2 | Oil Filter Bracket Clip |

Torque: **25 N·m (255 kgf·cm, 18ft·lbf)**

SST: 09228-06501

- After tightening the oil filter cap assembly, check for gaps between the installation surfaces.



- Do not remove the oil filter bracket clip when installing the oil filter cap assembly.
- Do not cross thread the oil filter cap assembly.

T

7. ADD ENGINE OIL

(a) Add new engine oil and install the oil filler cap.

Standard Oil Grade (For USA)

| Oil Grade | Oil Viscosity (SAE) |
|---|---------------------|
| <ul style="list-style-type: none"> • ILSAC multigrade engine oil | 0W-20 |

Standard Oil Grade (For Canada)

| Oil Grade | Oil Viscosity (SAE) |
|---|--|
| <ul style="list-style-type: none"> • ILSAC multigrade engine oil | <ul style="list-style-type: none"> • 0W-20 • 5W-20 <p>(0W-20 is best choice for fuel economy and good starting in cold weather.)</p> |

Standard Capacity

| Item | Standard Condition |
|--|---------------------------------------|
| Drain and refill with oil filter change | 4.2 liters (4.4 US qts, 3.7 Imp. qts) |
| Drain and refill without oil filter change | 3.9 liters (4.1 US qts, 3.4 Imp. qts) |
| Dry fill | 4.7 liters (5.0 US qts, 4.1 Imp. qts) |

8. INSPECT FOR ENGINE OIL LEAK

(a) Put the engine in inspection mode INFO.

(b) Start the engine.

(c) Check for engine oil leaks from the connected parts of the oil filter cap and oil filter drain plug.

9. INSTALL NO. 1 ENGINE UNDER COVER

10. INSTALL ENGINE UNDER COVER (w/ Cover)

11. INSTALL FRONT SPOILER COVER (w/ Front Spoiler)