

Front License Plate & Mounting Bracket Installation

Service Category General

Section Pre-Delivery Service

Market USA

Toyota Supports
 ASE Certification 

Applicability

YEAR(S)	MODEL(S)	ADDITIONAL INFORMATION
2011	Prius	

Introduction

The front license plate mounting bracket and two self-tapping screws for the 2011 model year Prius are stored in the glove box.

For states that require a front license plate, install the license plate mounting bracket and license plate during Pre-Delivery Service (PDS).

Warranty Information

OP CODE	DESCRIPTION	TIME	OFP	T1	T2
N/A	Not Applicable to Warranty	–	–	–	–

Front License Plate & Mounting Bracket Installation

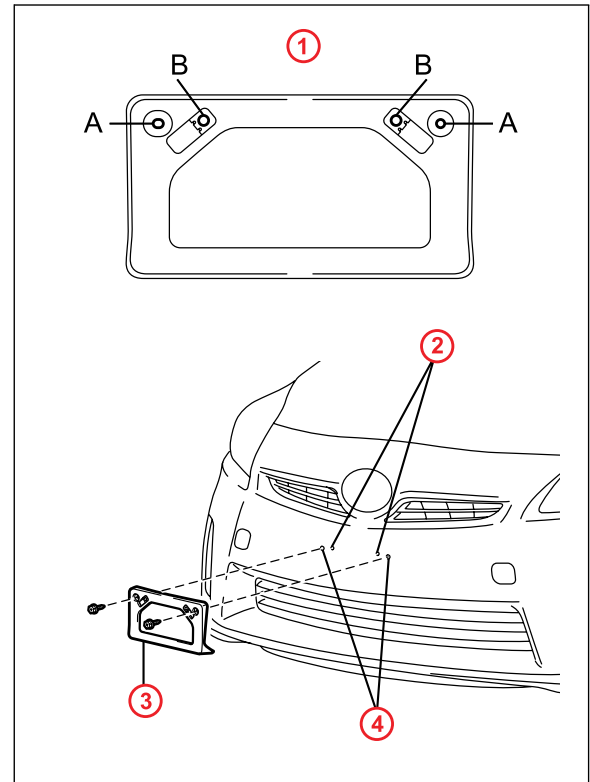
Installation Procedure

1. Align holes "A" of the mounting bracket with the dimples on the front bumper cover. Mark the location of holes "B" on the front bumper cover.

NOTE

- Holes "A" are used for installation of the mounting bracket to the bumper cover.
- Holes "B" are used for installation of the front license plate to the mounting bracket.

Figure 1.



1	Mounting Bracket
2	Mark and Drill Holes
3	Mounting Bracket
4	Dimples

2. Drill two relief holes with a diameter of 11 mm (0.43 in.) at the hole "B" marks on the front bumper cover to prevent the license plate retaining bolt end from contacting the cover.

NOTE

Do NOT drill at the dimples on the front bumper cover.

Front License Plate & Mounting Bracket Installation

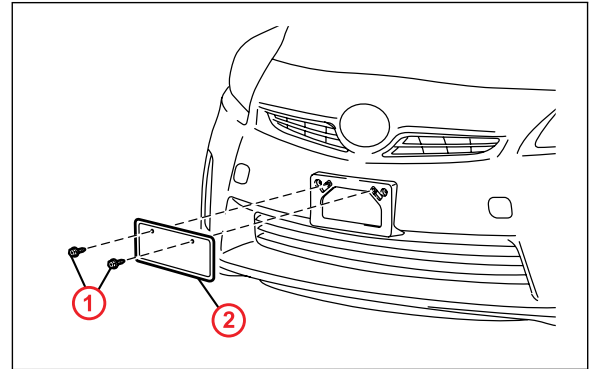
Installation Procedure (Continued)

3. Install the mounting bracket to the front bumper cover by attaching the two self-tapping screws into the dimples.

NOTE

The self-tapping screws for the mounting bracket are located in the glove box.

Figure 2.



1	License Plate
2	Bolts

4. Install the front license plate to the mounting bracket using bolts with the following dimensions.
Length: 20.0 – 25.0 mm (0.79 – 0.98 in.)
Diameter: 6.0 mm (0.24 in.)
Pitch: 1.0 mm (0.04 in.)