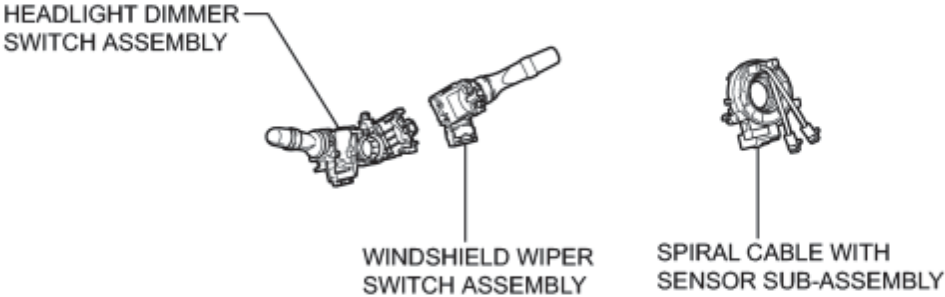


COMPONENTS

ILLUSTRATION



P

REMOVAL

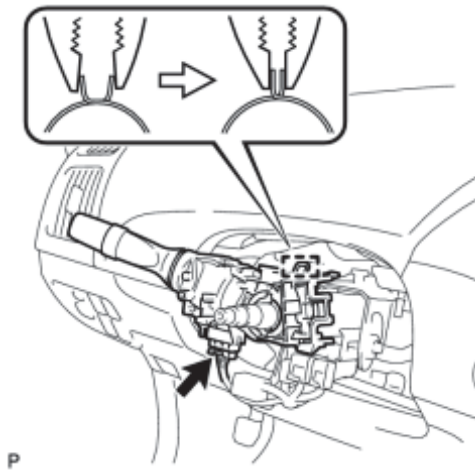
1. REMOVE SPIRAL CABLE WITH SENSOR SUB-ASSEMBLY

HINT:

Refer to the procedure up to Remove Spiral Cable with Sensor Sub-assembly INFO.

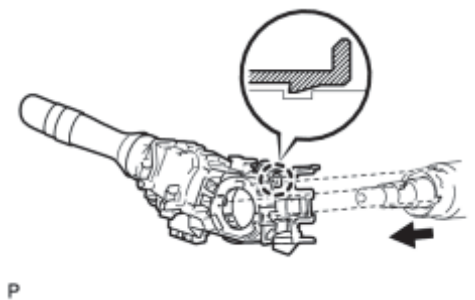
2. REMOVE WINDSHIELD WIPER SWITCH ASSEMBLY INFO

3. REMOVE HEADLIGHT DIMMER SWITCH ASSEMBLY



(a) Disconnect the connector.

(b) Using pliers, expand the clamp as shown in the illustration.



(c) While holding the clamp expanded, disengage the claw and remove the headlight dimmer switch assembly as shown in the illustration.

INSPECTION

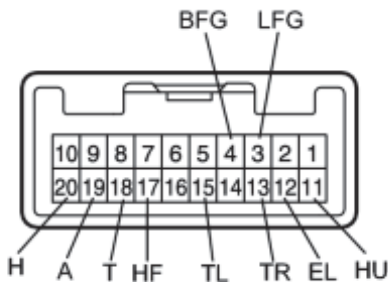
1. INSPECT HEADLIGHT DIMMER SWITCH ASSEMBLY

(a) Measure the resistance according to the value(s) in the table below.

Standard Resistance:

Light Control Switch

Tester Connection	Switch Condition	Specified Condition
12 (EL) - 18 (T)	Light control switch off	10 k Ω or higher
18 (T) - 19 (A)	Light control switch off	10 k Ω or higher
19 (A) - 20 (H)	Light control switch off	10 k Ω or higher
12 (EL) - 18 (T)	Light control switch in tail position	Below 1 Ω
12 (EL) - 18 (T)	Light control switch in head position	Below 1 Ω
18 (T) - 20 (H)	Light control switch in head position	Below 1 Ω
12 (EL) - 19 (A)	Light control switch in AUTO position	Below 1 Ω



Dimmer Switch

Tester Connection	Switch Condition	Specified Condition
11 (HU) - 12 (EL)	Dimmer switch in high position	Below 1 Ω
12 (EL) - 11 (HU)	Dimmer switch in high flasher position	Below 1 Ω
12 (EL) - 17 (HF)		Below 1 Ω

Turn Signal Switch

Tester Connection	Switch Condition	Specified Condition
12 (EL) - 13 (TR)	Right turn	Below 1 Ω
12 (EL) - 13 (TR)	Neutral	10 k Ω or higher
12 (EL) - 15 (TL)	Neutral	10 k Ω or higher
12 (EL) - 15 (TL)	Left turn	Below 1 Ω

Front Fog Light Switch

Tester Connection	Switch Condition	Specified Condition
3 (LFG) - 4 (BFG)	Front fog light switch off	10 k Ω or higher
3 (LFG) - 4 (BFG)	Front fog light switch on	Below 1 Ω

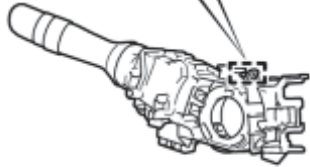
Text in Illustration

*1	Component without harness connected (Headlight Dimmer Switch Assembly)
----	---

If the result is not as specified, replace the headlight dimmer switch assembly.

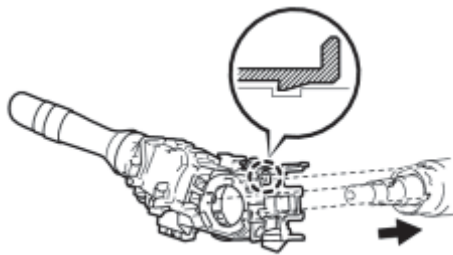
INSTALLATION

1. INSTALL HEADLIGHT DIMMER SWITCH ASSEMBLY



(a) Using pliers, expand the clamp.

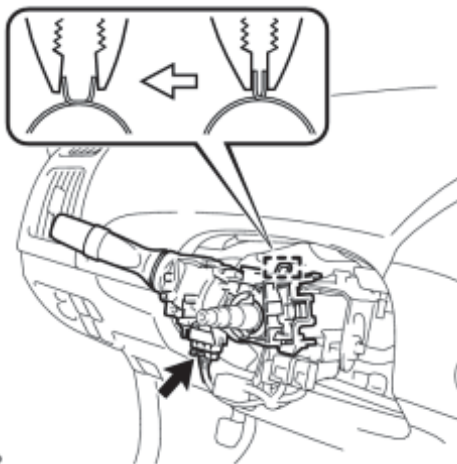
P



(b) While holding the clamp expanded, install the headlight dimmer switch assembly as shown in the illustration.

P

(c) Engage the claw.



(d) Install the headlight dimmer switch assembly with the clamp.

P

(e) Connect the connector.

2. INSTALL WINDSHIELD WIPER SWITCH ASSEMBLY_ 

3. INSTALL SPIRAL CABLE WITH SENSOR SUB-ASSEMBLY

HINT:

Refer to the procedure from Install Spiral Cable with Sensor Sub-assembly .