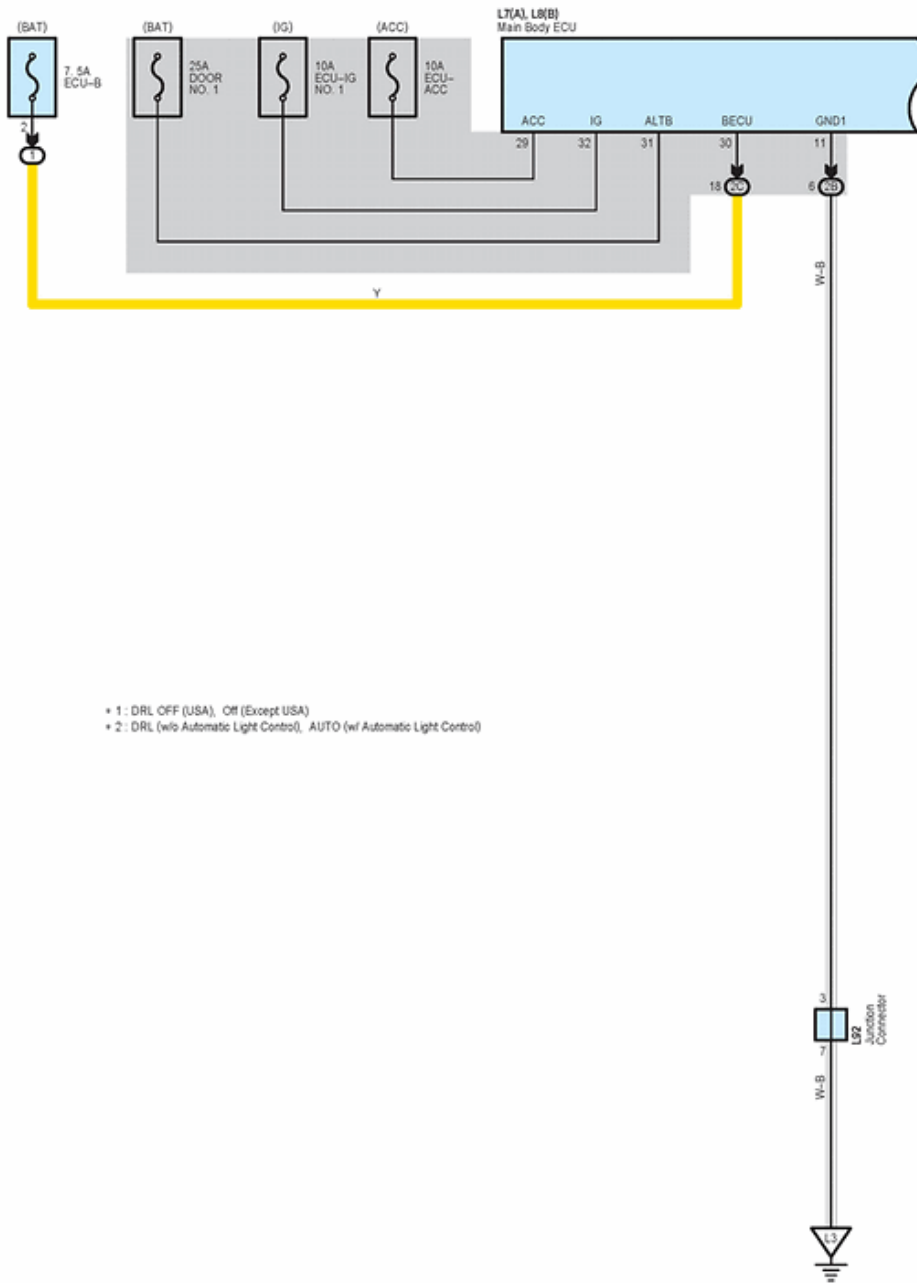


# Fog Light

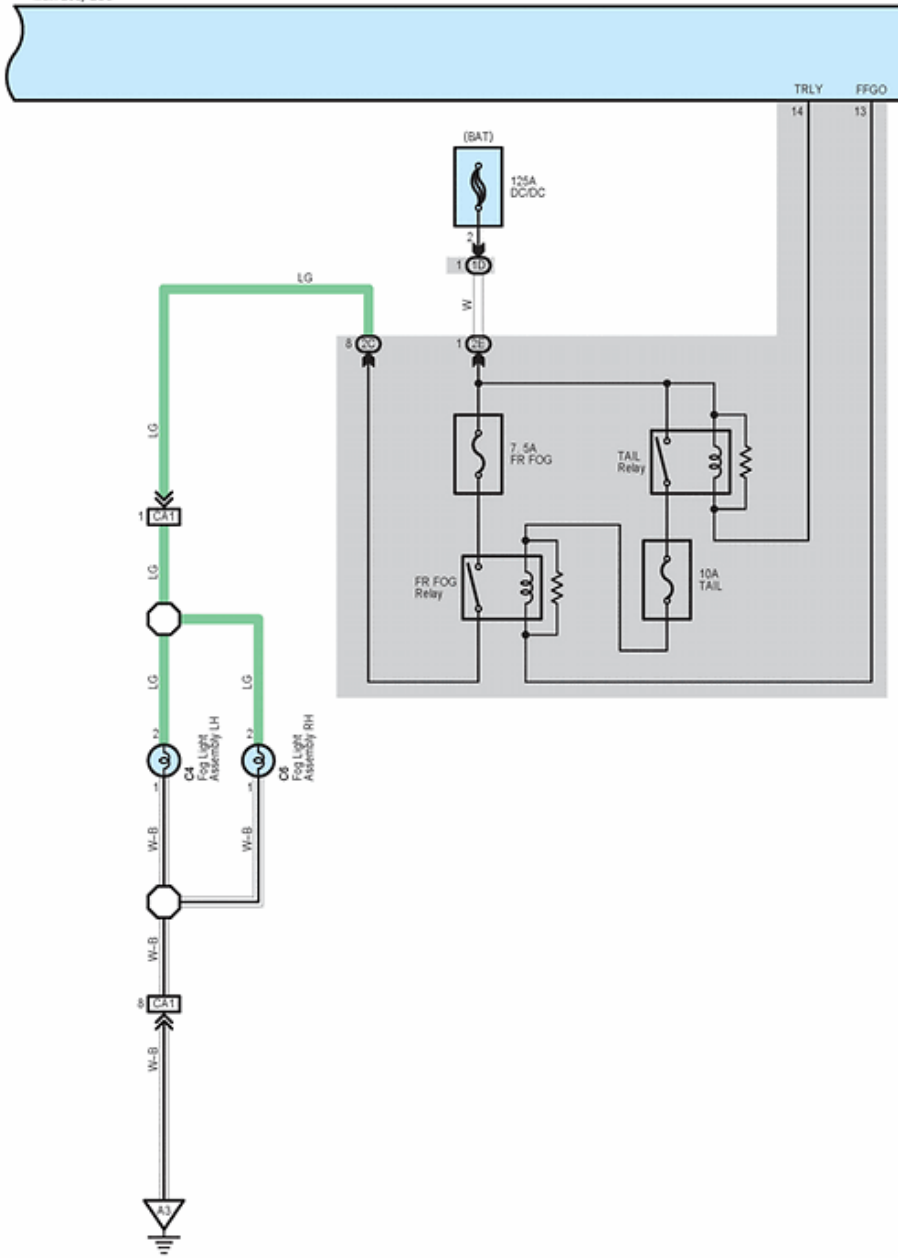


- \* 1: DRL OFF (USA), Off (Except USA)
- \* 2: DRL (w/o Automatic Light Control), AUTO (w/ Automatic Light Control)



# Fog Light

L7(A), L8(B)  
Main Body ECU



: Parts Location

Code	See Page	Code	See Page	Code	See Page	
C4	61	L8	B	64	L93	64
C6	61	L47	64			
L7	A	L92	64			

: Relay Blocks

Code	See Page	Relay Blocks (Relay Block Location)
1	22	Engine Room R/B (Left Engine Compartment)

: Junction Block and Wire Harness Connector

Code	See Page	Junction Block and Wire Harness (Connector Location)
1D	24	Engine Room Main Wire and Engine Room J/B (Left Engine Compartment)
2B	34	Instrument Panel Wire and Instrument Panel J/B (Instrument Panel Reinforcement)
2C	33	Engine Room Main Wire and Instrument Panel J/B (Instrument Panel Reinforcement)
2E		
3A	42	Instrument Panel Wire and J/B No. 3 (Instrument Panel Reinforcement)

: Connector Joining Wire Harness and Wire Harness

Code	See Page	Joining Wire Harness and Wire Harness (Connector Location)
CA1	74	Engine Room No. 3 Wire and Engine Room Main Wire (Front Engine Compartment)

: Ground Points

Code	See Page	Ground Points Location
A3	74	Front Fender Apron LH
L1	75	Instrument Panel Reinforcement
L3		