

## 2. REPLACE BRAKE FLUID (for not Using the Techstream)

### NOTICE:

- Performing the following procedure will select ECB (Electronically Controlled Brake system) Invalid Mode without using the Techstream.
- ECB (Electronically Controlled Brake system) Invalid Mode allows the brake fluid to be replaced without using the Techstream.
- The brake warning light / yellow will blink to indicate when ECB (Electronically Controlled Brake system) Invalid Mode is selected.
- Be sure to inspect that the brake warning light / yellow is blinking while replacing the brake fluid.
- When one of the following conditions is met, ECB (Electronically Controlled Brake system) Invalid Mode is cancelled, and then the DTCs may be stored. So do not cancel the ECB (Electronically Controlled Brake system) Invalid Mode while replacing brake fluid.

The shift lever is used to select from P to any other position.

Turn the power switch on (READY).

Turn the power switch off.

The parking brake is released.

The vehicle velocity is not 0 km/h (0 mph).

- Do not rotate the brake disc while ECB (Electronically Controlled Brake system) Invalid Mode is selected.
- When replacing the brake fluid from the brake line, do not depress the brake pedal to operate the brake booster pump more than 100 seconds. If the brake booster pump is operated more than 100 seconds, ECB (Electronically Controlled Brake system) Invalid Mode is automatically finished and the DTCs may be stored.
- Add brake fluid carefully and check that the reservoir level remains between the MIN and MAX lines.
- Do not stand the fluid can on the reservoir inlet. Doing so will cause brake fluid to overflow.

(a) Remove 4 wheels.

(b) Select ECB (Electronically Controlled Brake system) Invalid Mode.

(1) Perform the procedure listed below in 1 minute.

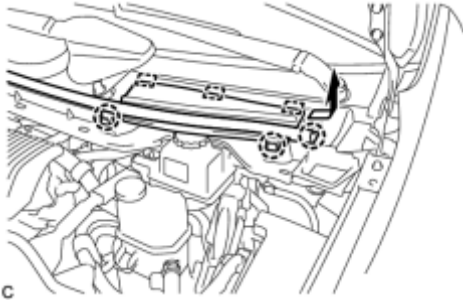
1. Turn the power switch on (IG) with park (P) selected and parking brake applied.
2. Select N and then depress the brake pedal more than 8 times in 5 seconds.
3. Push the P position switch and then depress the brake pedal more than 8 times in 5 seconds.
4. Select N and then depress the brake pedal more than 8 times in 5 seconds.
5. Push the P position switch.

(2) Check that the brake warning light / yellow is blinking.



N

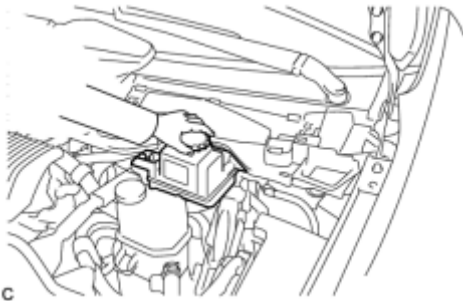
(c) Remove the center cowl top ventilator cover.



(1) Slide the hood to cowl top seal and disengage the claw.

(2) Disengage the 2 claws and 3 guides, and remove the center cowl top ventilator cover.

(d) Replace the brake fluid.



(1) Remove the brake master cylinder reservoir filler cap assembly.

(2) Add brake fluid into the reservoir between MAX and MIN level on the brake fluid reservoir.

Brake fluid:

SAE J1703 or FMVSS No. 116 DOT3

(3) Connect a vinyl tube to the bleeder plug of the front disc brake cylinder assembly RH.

(4) Depress the brake pedal several times, and then loosen the bleeder plug with the pedal depressed.\*1

(5) When fluid stops coming out, tighten the bleeder plug, and then release the brake pedal.\*2

(6) Repeat \*1 and \*2 until all the air in the brake fluid is completely bled out and a new brake fluid comes out.

(7) Tighten the bleeder plug completely.

Torque: **8.3 N·m (85 kgf·cm, 73in·lbf)**

(8) Replace the brake fluid from the front disc brake cylinder assembly LH using the same procedure as for RH.

(9) Connect a vinyl tube to the bleeder plug of the rear disc brake cylinder assembly LH.

(10) Loosen the bleeder plug while depressing and holding the brake pedal, and replace the brake fluid while the brake booster pump assembly and solenoid running.\*3

NOTICE:

- Be sure to keep the brake pedal depressed.
- Do not depress the brake pedal to operate the brake booster pump more than 100 seconds. When performing this procedure continuously, release the brake pedal to stop the brake booster pump operating and depress the brake pedal again.

(11) Tighten the bleeder plug, then release the brake pedal.\*4

(12) Repeat steps \*3 and \*4 until all the air in the brake fluid is completely bled out and a new brake fluid comes out.

(13) Tighten the bleeder plug completely.

Torque: **11 N·m (112 kgf·cm, 8ft·lbf)**

(14) Replace the brake fluid from the rear disc brake cylinder assembly RH using the same procedure as for LH.

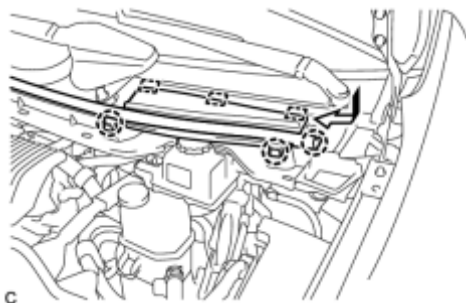
(15) Turn the power switch off.

(e) Inspect for brake fluid leaks.

(f) Adjust the brake fluid level in the reservoir INFO.

(g) Install the brake master cylinder reservoir filler cap.

(h) Install the center cowl top ventilator cover.



(1) Engage the 2 claws and 3 guides to install the center cowl top ventilator cover.

(2) Slide the hood to cowl top seal to engage the claw.

(i) Install the 4 wheels.

Torque: **103 N·m (1050 kgf·cm, 76ft·lbf)**