

REPLACEMENT

NOTICE:

When the brake pedal is first depressed after replacing the brake pads or pushing back the disc brake piston, DTC C1214 may be output. As there is no malfunction, delete the DTC.

HINT:

- Use the same procedure for the RH side and LH side.
- The procedure listed below is for the LH side.

1. REMOVE REAR WHEEL

2. REMOVE FRONT DOOR SCUFF PLATE LH INFO

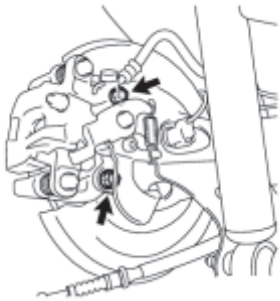
3. REMOVE COWL SIDE TRIM SUB-ASSEMBLY LH INFO

4. REMOVE LOWER INSTRUMENT PANEL FINISH PANEL ASSEMBLY INFO

5. LOOSEN PARKING BRAKE CABLE INFO

6. DISCONNECT NO. 3 PARKING BRAKE CABLE ASSEMBLY INFO

7. SEPARATE REAR DISC BRAKE CALIPER ASSEMBLY



(a) Remove the 2 bolts, and separate the rear disc brake caliper assembly.

NOTICE:

Use wire or an equivalent tool to keep the brake caliper from hanging down by the flexible hose.

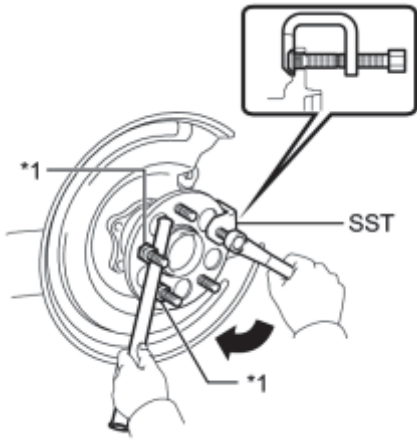
8. REMOVE REAR DISC INFO

9. REMOVE REAR AXLE HUB BOLT

(a) Temporarily install 2 nuts to the rear axle hub bolt as shown in the illustration.

Text in Illustration

*1	Nut
----	-----



Recommended service nut:

Thread diameter: 12.0 mm (0.472 in.)

Thread pitch: 1.5 mm (0.0591 in.)

NOTICE:

Install the nuts to prevent damage to the hub bolts.

c

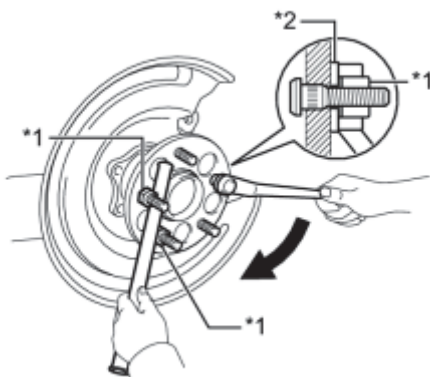
(b) Using SST and a brass bar or an equivalent tool to hold the rear axle hub and bearing assembly, remove the rear axle hub bolt.

SST: 09611-12010

NOTICE:

Do not damage the threads of the rear axle hub bolts.

10. INSTALL REAR AXLE HUB BOLT



(a) Temporarily install a new rear axle hub bolt to the rear axle hub and bearing assembly.

Text in Illustration

*1	Nut
*2	Washer

c

(b) Install a washer and nut to the new rear axle hub bolt as shown in the illustration.

Recommended service nut:

Thread diameter: 12.0 mm (0.472 in.)

Thread pitch: 1.5 mm (0.0591 in.)

HINT:

The thickness of the washer is preferably 5 mm (0.197 in.) or more.

(c) Using a brass bar or an equivalent tool to hold the rear axle hub and bearing assembly, install the rear axle hub bolt by tightening the nut.

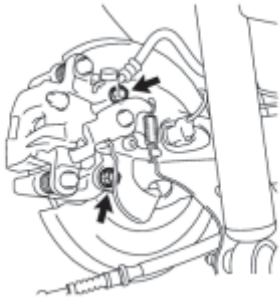
NOTICE:

- Install the nuts to prevent damage to the hub bolts.
- Do not damage the threads of the rear axle hub bolts.

(d) Remove the 3 nuts and washer from the 3 rear axle hub bolts.

11. INSTALL REAR DISC INFO

12. INSTALL REAR DISC BRAKE CALIPER ASSEMBLY



(a) Install the rear disc brake caliper assembly with the 2 bolts.

Torque: **57 N·m (585 kgf·cm, 42ft·lbf)**

c

13. CONNECT NO. 3 PARKING BRAKE CABLE ASSEMBLY INFO

14. ADJUST PARKING BRAKE

HINT: INFO

15. INSTALL LOWER INSTRUMENT PANEL FINISH PANEL ASSEMBLY INFO

16. INSTALL COWL SIDE TRIM SUB-ASSEMBLY LH INFO

17. INSTALL FRONT DOOR SCUFF PLATE LH INFO

18. INSTALL REAR WHEEL

Torque: **103 N·m (1050 kgf·cm, 76ft·lbf)**