



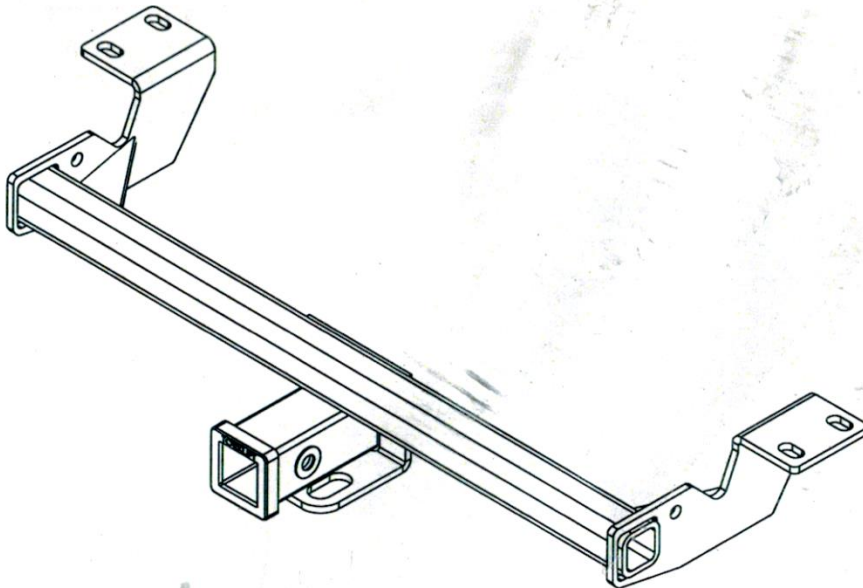
Serving With Excellence Since 1976

ecoHITCH - Designed Specifically For Your **Green Vehicle**

Installation Instructions

Application Fits
2012 + Toyota Prius V
X7192 & X7193

2" & 1.25" EcoHitch Stealth
350 lbs. Tongue Weight/ 3,500 lbs. Towing Weight



Torklift Central
315 Central Ave N
Kent, WA 98032
253-854-1832
www.torkliftcentral.com
support@tlcentral.com

Stay Connected



torkliftcentral



torkliftcentral



tlcentral



torklift central



torklift central



Bolt Kit Weight- 1200g +/-

Hardware Included

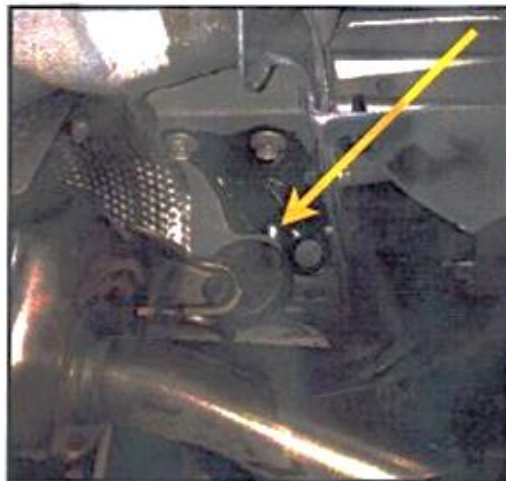
QTY **Fastener**

4	1/4" Flat Washer
2	1/4" Nylon Lock Nut
2	1/4"-20x1" Bolt
14	1/2" Flat Washer
8	1/2" Lock Washer
2	1/2" Plate Washer
2	1/2" Wedge
4	1/2" Hex Nut
2	1/2"-13 x 2" Bolt
2	1/2"-13 x 4-1/2" Bolt
4	M12-1.25 x 40mm Bolt
2	Aluminum Hitch Strap

READ THESE INSTRUCTIONS THOROUGHLY AND ACCOUNT FOR ALL HARDWARE LISTED BEFORE BEGINNING INSTALLATION!

Step 1. Raise rear of vehicle off of ground and place on ramps or suitable jack stands.

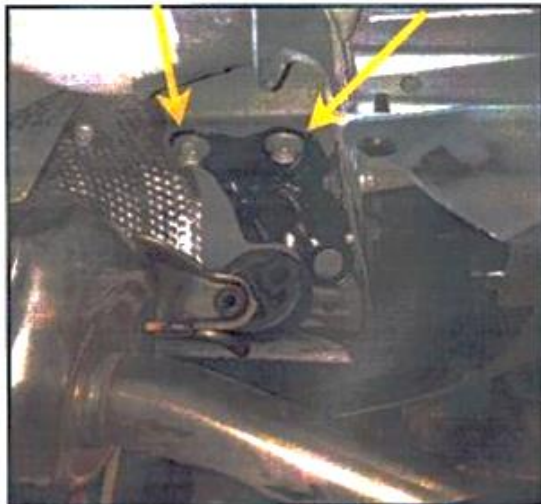
Step 2. Locate the passenger side factory transport/exhaust hanger. Lubricate the hanger with WD-40 or equivalent to assist in removal of rubber exhaust bung.



Step 3. Remove the two factory transport/exhaust hanger hook bolts from the passenger side and driver side of vehicle. Keep the bolts in the event you remove the hitch in the future. Set aside factory transport/exhaust hanger hook for re-installation.

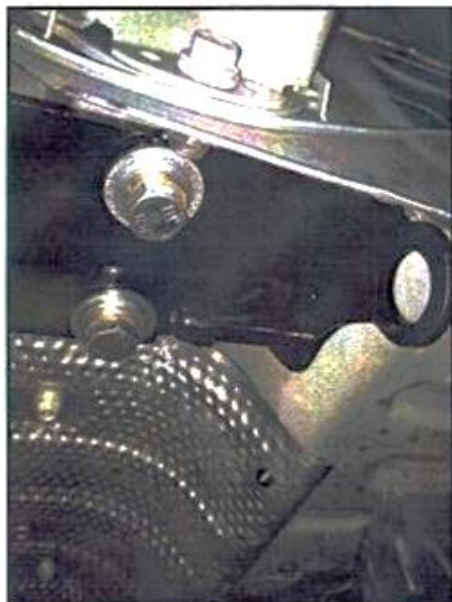


Driver Side



Passenger Side

Step 4. Starting on the passenger side, locate the two threaded holes in the frame. *These holes are located where you removed the transport/exhaust hanger. Raise hitch into place (you will need to pull bumper tabs away from the vehicle to allow the hitch to move into place). Take one M12x1.25X40 bolt and place one 1/2" lock washer, then two 1/2" flat washers on bolt. Position factory exhaust hanger/transport hook back into place underneath the trailer hitch. Thread the bolt hardware through the factory exhaust hanger/transport hook, through the trailer hitch into the frame. See illustration below. Hand tighten bolts. Do not torque at this time. Repeat on Driver Side.



Driver Side



Passenger Side

Step 5. Take the drivers side hitch strap. Note the direction of the strap in relation to figure 1. There is a left side and a right side. Notice the hole in the side of the bumper brace and the hole in the top of the hitch. Line up the hitch strap with the existing holes. Take one 1/2"x13x4-1/2" bolt and one 1x2 plate washer, place through bumper brace as shown in figure 2. Now take the wedge (flat portion of wedge against bumper brace) and place onto bolt threads followed by the hitch strap. Once the hitch strap has been placed on the bolt threads take one 1/2" flat washer, one 1/2" lock washer, and one 1/2" hex nut. Place onto bolt threads. **DO NOT TIGHTEN.**

Leave loose until you insert the bolt into the bottom portion of the drivers side hitch strap.

*See Figure 1 & 2 below for reference.

Step 6. Once you have finished placing the bolts into the upper part of the drivers side hitch strap, locate the lower portion of the drivers side hitch strap. Place one 1/2"-13x2" bolt, and one 1/2" flat washer through the drivers side strap and through the hitch. Take one 1/2" flat washer, and one 1/2" lock washer, then one 1/2" hex nut. Leave loose.

*See Figure 1 & 2 below for reference.



Fig. 1

Fig. 2.

Step 7. Repeat process on passengers side with the passenger side hitch strap.

Step 8. Torque all M12-1.25 x 40 bolts to 65 ft lb. Torque all 1/2" Bolts to 45 ft lb. Ensure that the lock washer crushes on the upper strap bolts and the lower strap bolts.

Step 9. Once you have torqued all of the fasteners required for installation, lubricate the rubber exhaust hanger bung with a lubricant such as WD-40 and re-install rubber exhaust hanger bung.

Step 10. Re-attach the bumper tabs and fasten with the 1/4" hardware. Use one 1/4"-20 x 1" bolt then one 1/4" flat washer. Place an additional flat washer on the backside of the bolt and secure with a 1/4" nylon lock nut. Carefully tighten until lock nut tightens down. Do not over tighten and/or apply excessive force.



Congratulations on the completed installation of the Toyota Prius V Stealth EcoHitch! It is designed with a lifetime warranty for a lifetime of enjoyment. If you have any questions or suggestions please contact our tech support at support@tlcentral.com or by phone at (253)-854-1832.