

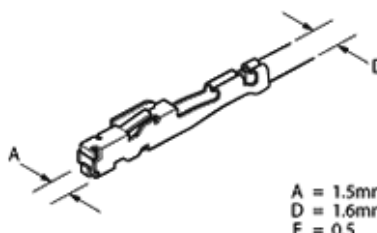

**Print**

Exit

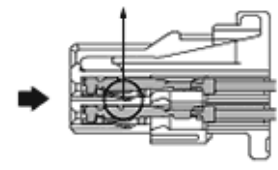
Name Automatic Light Control Sensor  
Code I1  
Part Number 90980-12056  
Color Black  
Spec

**[ - ]Wire Harness Repair**

Wire Type	Copper
Terminal Type	0.64 (Non-waterproof Type)
Male / Female	Female

Repair Wire		Sleeve
		Medium (Blue)  P/N: 82999-12020
P/N:	160mm 82998-12750 500mm 82998-12760(Au)	

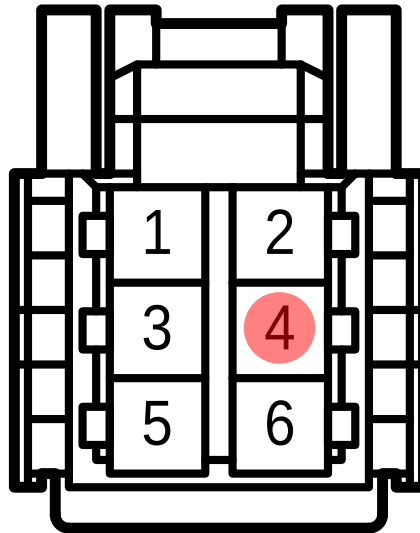
**Housing Cross Section**



(Double Lock Type)  
[Terminal Lance]

○ All terminals  
○ Select terminal

show



Location Instrument Panel Position of Parts  
 System Air Conditioning  
Automatic Light Control  
Headlight  
Light Auto Turn Off System

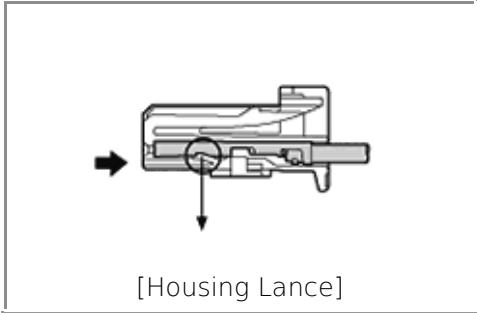
Name Instrument Panel Wire and Instrument Panel No. 2 Wire (Instrument Panel Reinforcement)  
 Code LI1  
 Part Number 90980-12773/90980-12772  
 Color Black  
 Spec

[-]Wire Harness Repair

Wire Type	Copper
Terminal Type	1.5 (Non-waterproof Type)
Male / Female	Female

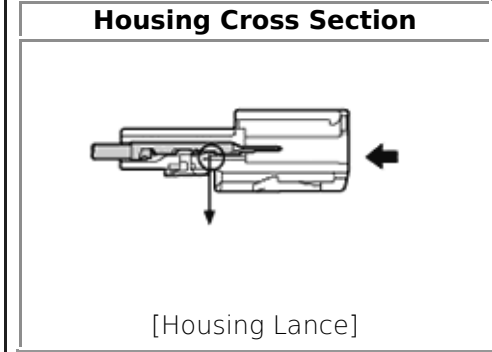
Repair Wire		Sleeve
<p>A = 2.4mm D = 2.55mm E = 2.0</p>		Large (Yellow)  P/N: 82999-12030
P/N:	160mm    82998-24350	
	500mm	

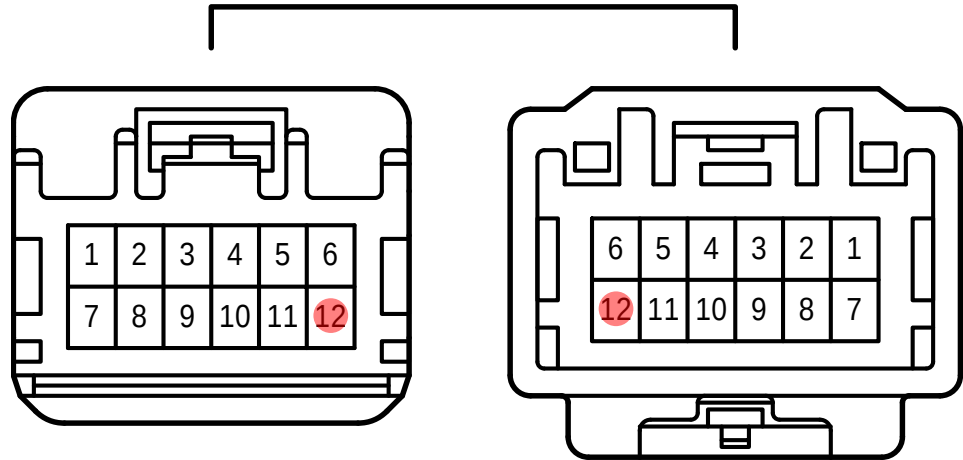
**Housing Cross Section**



Wire Type	Copper
Terminal Type	1.5 (Non-waterproof Type)
Male / Female	Male

Repair Wire		Sleeve				
<p>A = 1.5mm D = 2.55mm E = 2.0</p>		Large (Yellow)  P/N: 82999-12030				
P/N:	<table border="1"> <tr> <td>160mm</td> <td>82998-24340</td> </tr> <tr> <td>500mm</td> <td></td> </tr> </table>	160mm	82998-24340	500mm		
160mm	82998-24340					
500mm						





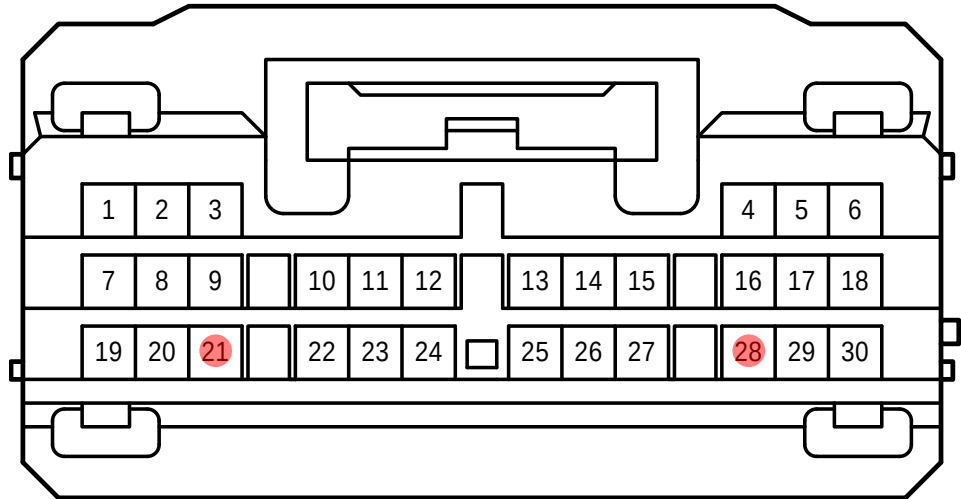
Location Instrument Panel Wire and Wire  
 System Air Conditioning  
Audio System (w/ Stereo Component Amplifier Except Korea)  
Audio System (w/ Stereo Component Amplifier Korea)  
Audio System (w/o Stereo Component Amplifier)  
Automatic Light Control  
Headlight  
Light Auto Turn Off System  
Navigation System (Except Korea)  
Navigation System (Korea)  
Parking Assist (Rear View Monitor) (w/ Navigation System)  
Safety Connect

Name Main Body ECU  
 Code L7(A)  
 Part Number 90980-12753  
 Color White  
 Spec

[ - ]Wire Harness Repair

Wire Type	Copper
Terminal Type	0.50 (Non-waterproof Type)
Male / Female	Female
No information for this terminal	

All terminals  
 Select terminal



Location System

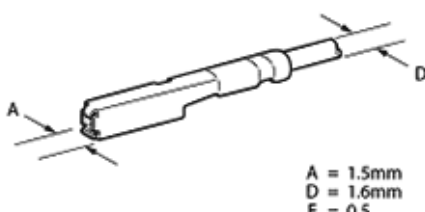

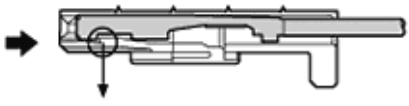
Instrument Panel Position of Parts

- ABS
- Air Conditioning
- Automatic Light Control
- Back Door Opener
- Combination Meter
- Door Lock Control
- Fog Light
- Headlight
- Headlight Beam Level Control
- Headlight Cleaner
- Illumination
- Intelligent Parking Assist
- Interior Light
- Light Auto Turn Off System
- Multiplex Communication System (CAN)
- Parking Assist (Intuitive Parking Assist)
- Power Window
- Remote Air Conditioning System
- Sliding Roof
- Smart Key System
- Smart Key System (\* Hybrid Vehicle Immobiliser)
- Smart Key System (\* Push-Button Start)
- Smart Key System (\* Wireless Door Lock Control)
- TRAC
- Taillight
- VSC

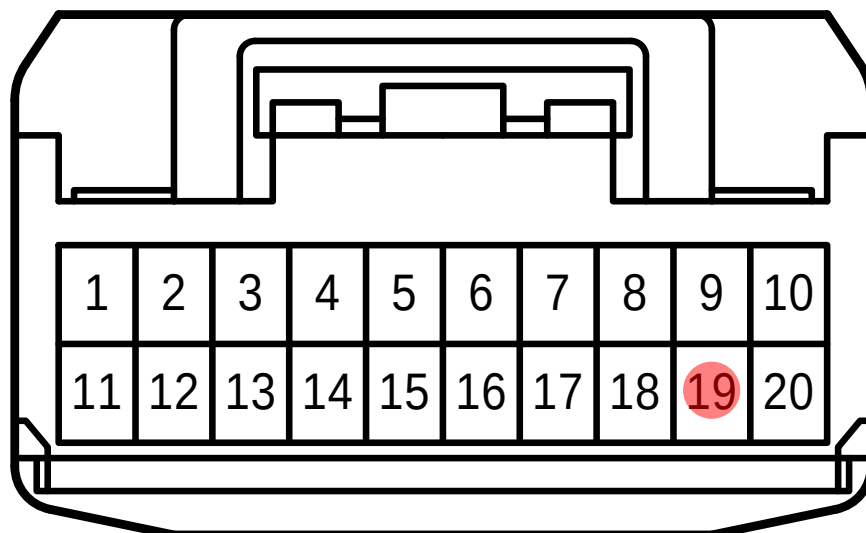
Name Headlight Dimmer Switch Assembly  
 Code L47  
 Part Number 90980-12460  
 Color White  
 Spec

[-]Wire Harness Repair

Wire Type	Copper
Terminal Type	0.64 II (Non-waterproof Type)
Male / Female	Female

Repair Wire		Sleeve				
		Medium (Blue)  P/N: 82999-12020				
P/N:	<table border="1"> <tr> <td>160mm</td> <td>82998-24290</td> </tr> <tr> <td>500mm</td> <td>82998-24300(Au)</td> </tr> </table>	160mm	82998-24290	500mm	82998-24300(Au)	
160mm	82998-24290					
500mm	82998-24300(Au)					
Housing Cross Section						
 <p>(Double Lock Type) [Housing Lance]</p>						

All terminals  
 Select terminal



Location System

- Instrument Panel Position of Parts
- Automatic Light Control
  - Fog Light
  - Headlight
  - Headlight Beam Level Control
  - Headlight Cleaner
  - Illumination
  - Lane Keeping Assist
  - Light Auto Turn Off System
  - Taillight
  - Turn Signal and Hazard Warning Light

