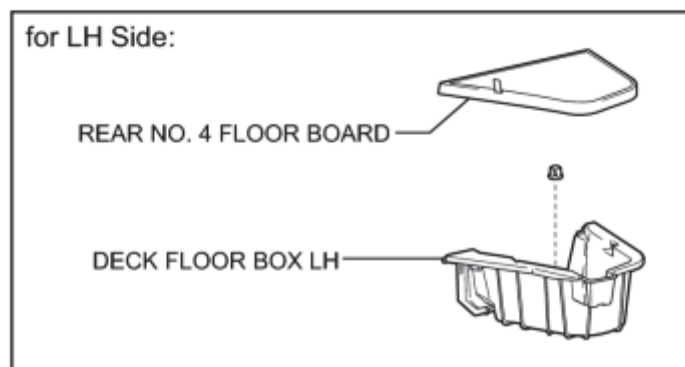
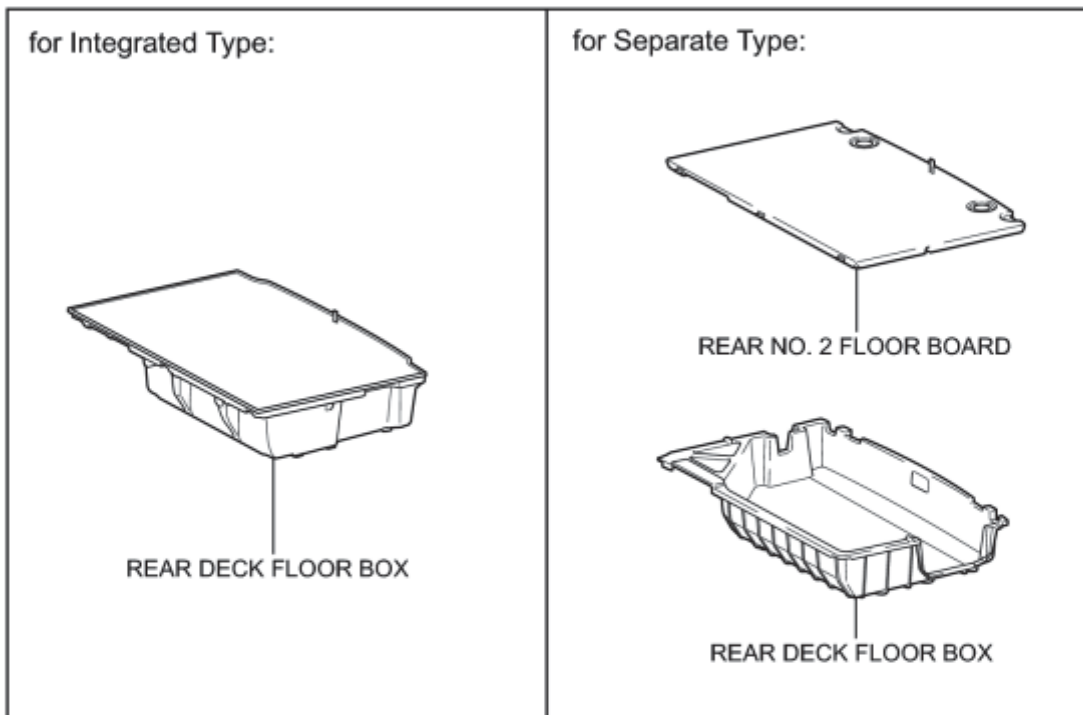
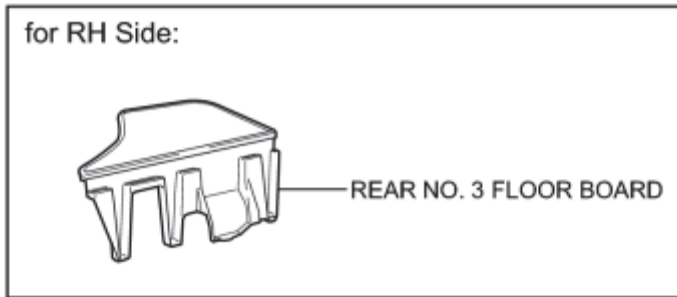


COMPONENTS

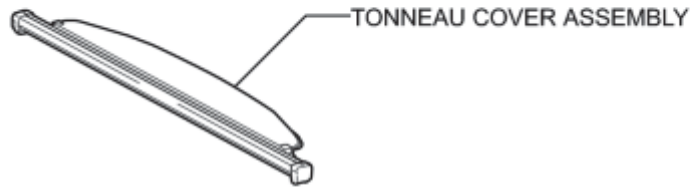
ILLUSTRATION



P

ILLUSTRATION

w/ Tonneau Cover:

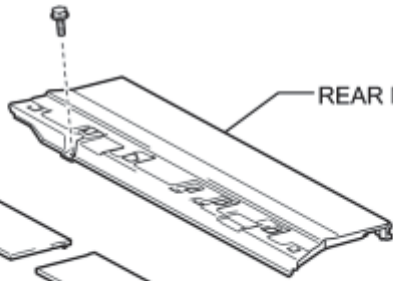


DECK TRIM SERVICE HOLE COVER

REAR DECK TRIM COVER

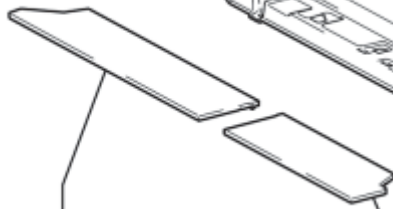


REAR NO. 1 FLOOR BOARD



REAR NO. 1 FLOOR BOARD SUB-ASSEMBLY

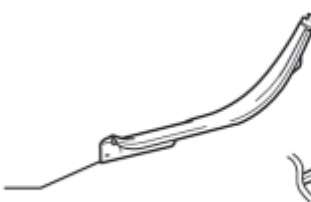
REAR NO. 2 FLOOR BOARD SUB-ASSEMBLY



REAR DOOR OPENING TRIM WEATHERSTRIP

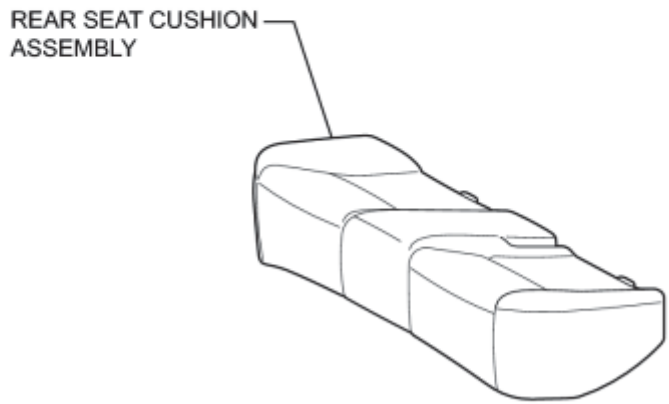
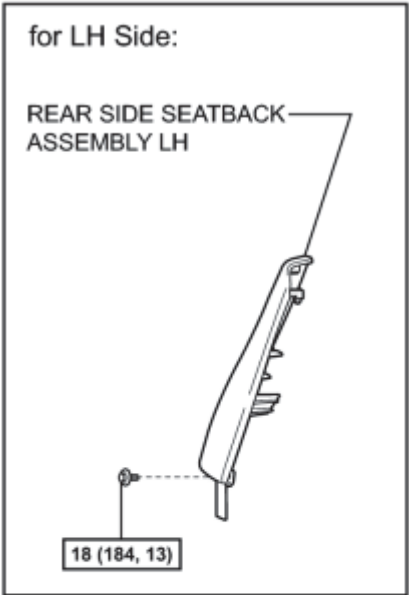
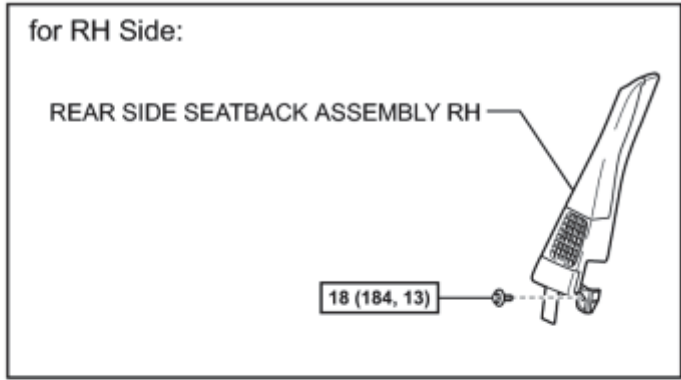


REAR DOOR SCUFF PLATE



P

ILLUSTRATION



N·m (kgf·cm, ft.·lbf): Specified torque

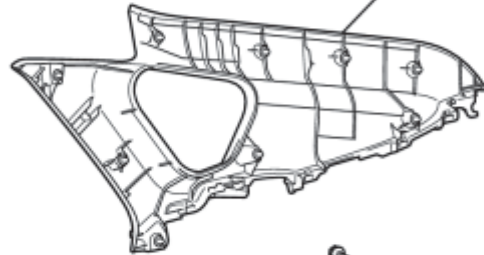
P

ILLUSTRATION

QUARTER WINDOW ASSEMBLY



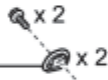
ROOF SIDE INNER
GARNISH ASSEMBLY



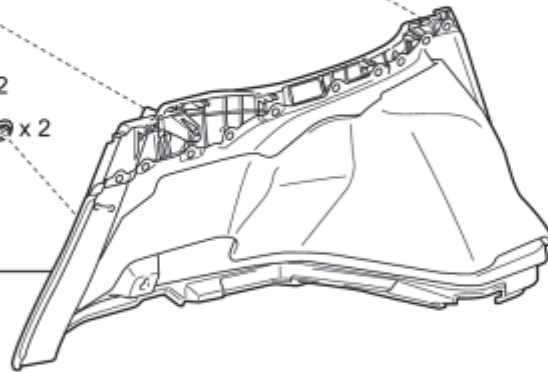
TONNEAU COVER
HOLDER CAP



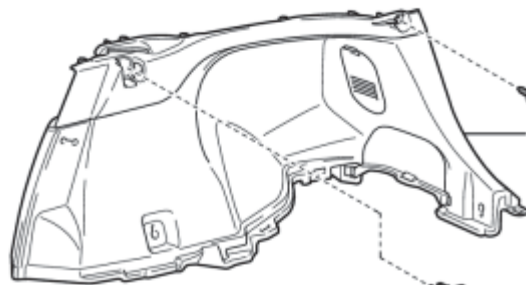
LUGGAGE HOLD BELT
STRIKER ASSEMBLY



DECK TRIM SIDE
PANEL ASSEMBLY LH



for RH Side:



DECK TRIM SIDE
PANEL ASSEMBLY RH

TONNEAU COVER
HOLDER CAP

P

REMOVAL

HINT:

- The front side fix window assembly can be reused. When installing the window, if any of the clips on the quarter window glass are broken, butyl tape can be used to support the glass until the applied adhesive hardens.
- When using butyl tape to temporarily secure the window, make sure that the butyl tape is not applied exactly at the original clip location. If the butyl tape is applied exactly at the clip location, it will cause the window to protrude
- Use the same procedure for the RH side and LH side.
- The procedure listed below is for the LH side.

1. REMOVE REAR NO. 2 FLOOR BOARD (for Separate Type)_ 

2. REMOVE REAR DECK FLOOR BOX_ 

3. REMOVE REAR NO. 3 FLOOR BOARD (for RH Side)_ 

4. REMOVE REAR DOOR SCUFF PLATE_ 


5. DISCONNECT REAR DOOR OPENING TRIM WEATHERSTRIP

6. REMOVE REAR SEAT CUSHION ASSEMBLY_ 

7. REMOVE REAR SIDE SEATBACK ASSEMBLY LH (for LH Side)_ 

8. REMOVE REAR SIDE SEATBACK ASSEMBLY RH (for RH Side)_ 

9. REMOVE TONNEAU COVER ASSEMBLY (w/ Tonneau Cover)_ 

10. REMOVE REAR NO. 4 FLOOR BOARD_ 

11. REMOVE DECK FLOOR BOX LH (for LH Side)_ 

12. REMOVE REAR NO. 1 FLOOR BOARD SUB-ASSEMBLY_ 

13. REMOVE REAR NO. 2 FLOOR BOARD SUB-ASSEMBLY_ 

14. REMOVE REAR NO. 1 FLOOR BOARD_ 

15. REMOVE DECK TRIM SERVICE HOLE COVER_ 

16. REMOVE REAR DECK TRIM COVER_ 

17. REMOVE LUGGAGE HOLD BELT STRIKER ASSEMBLY_ 

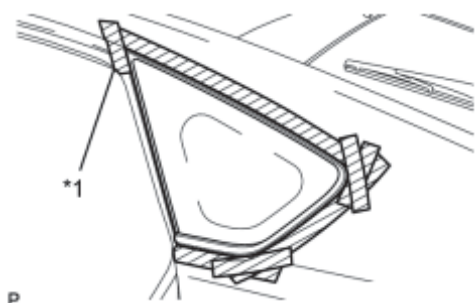
18. REMOVE TONNEAU COVER HOLDER CAP (for LH Side)_ 

19. REMOVE DECK TRIM SIDE PANEL ASSEMBLY LH (for LH Side) INFO

20. REMOVE DECK TRIM SIDE PANEL ASSEMBLY RH (for RH Side) INFO

21. REMOVE ROOF SIDE INNER GARNISH ASSEMBLY INFO

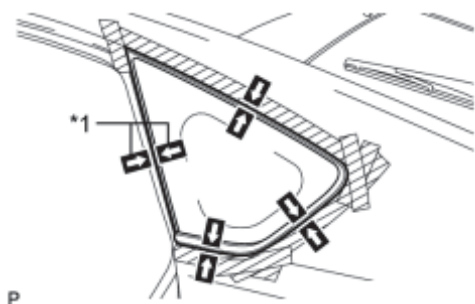
22. REMOVE QUARTER WINDOW ASSEMBLY



(a) Apply protective tape to the outer surface of the vehicle body to prevent scratches.

Text in Illustration

*1	Protective Tape
----	-----------------



(b) Place matchmarks on the quarter window assembly and vehicle body on the locations indicated in the illustration.

Text in Illustration

*1	Matchmark
----	-----------

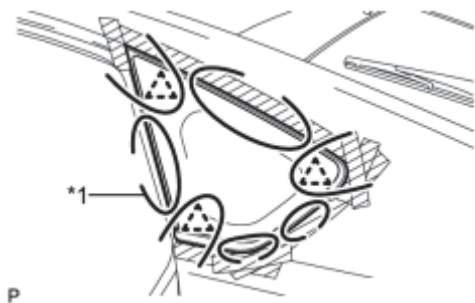
HINT:

Do not allow the piano wire to interfere with the clips.

(c) Pass a piano wire between the vehicle body and glass from the interior as shown in the illustration.

HINT:

Ensure not to interfere with the clips when passing the piano wire.



Text in Illustration

*1	Piano Wire
----	------------

(d) Tie both wire ends to wooden blocks or similar objects that can serve as handles.

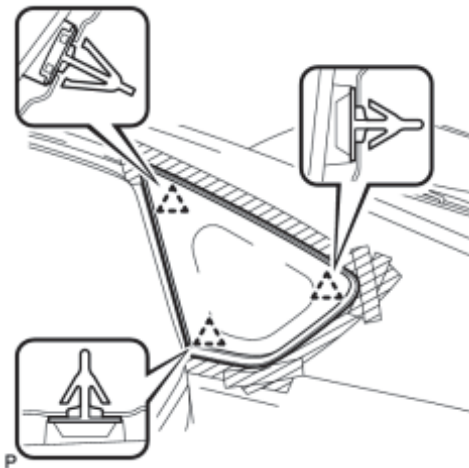
NOTICE:

When separating the quarter window assembly from the vehicle, be careful not to damage the paint or interior and exterior ornaments.

(e) Cut off the adhesive by pulling the piano wire around the quarter window assembly.

NOTICE:

Leave as much adhesive on the vehicle body as possible when cutting through the adhesive.



(f) Disengage the 3 clips.

(g) Using suction cups, remove the glass.

NOTICE:

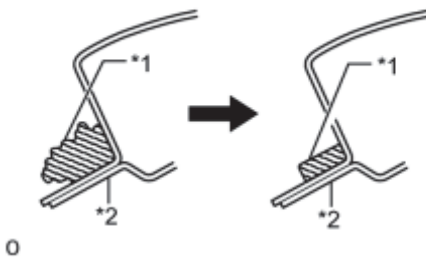
Be careful not to drop the glass.

23. CLEAN VEHICLE BODY

(a) Clean and shape the contact surfaces of the vehicle body.

Text in Illustration

*1	Adhesive
*2	Vehicle Body



(1) Using a knife, cut away excess adhesive on the contact surfaces of the vehicle body as shown in the illustration.

NOTICE:

Be careful not to damage the vehicle body.

HINT:

Leave as much adhesive on the vehicle body as possible.

(b) Clean the contact surfaces of the vehicle body with a piece of cloth saturated with cleaner.

HINT:

Even if all the adhesive has been removed, clean the vehicle body.

INSTALLATION

1. CLEAN QUARTER WINDOW ASSEMBLY

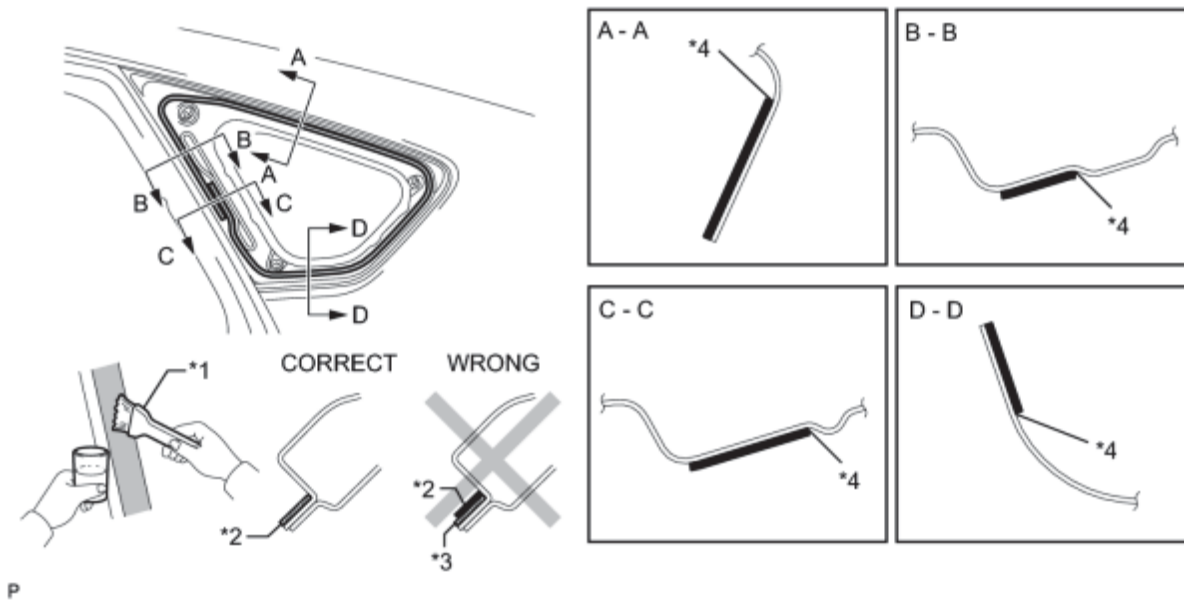


(a) Clean the outer edges of the quarter window assembly with a non-residue solvent.

- Do not touch the glass surface after cleaning it.
- Be careful not to damage the glass or clips.

2. INSTALL QUARTER WINDOW ASSEMBLY

(a) Using a brush or a sponge, apply Primer M to the exposed part of the vehicle body.



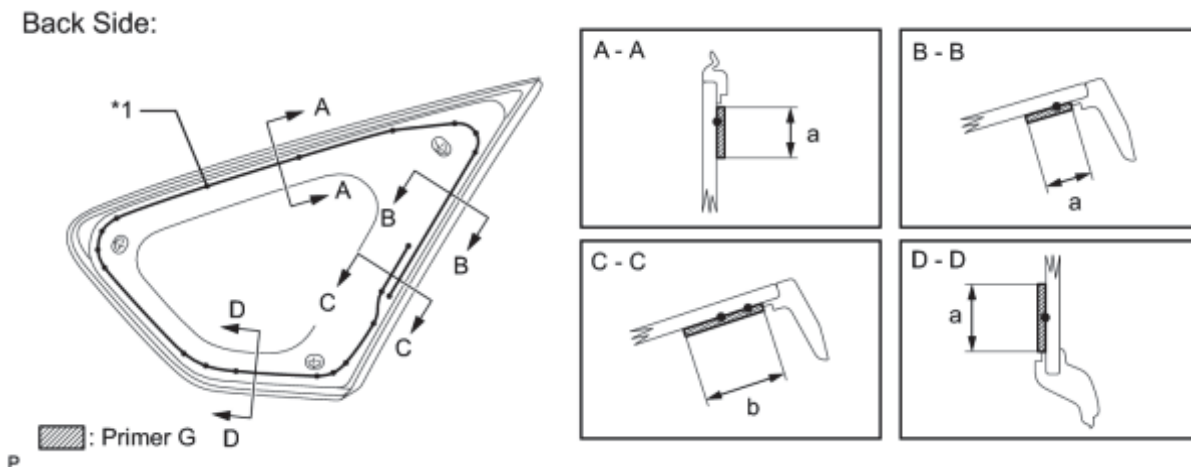
Text in Illustration

*1	Brush	*2	Primer M
*3	Adhesive	*4	Edge of Curved Surface

NOTICE:

- Do not coat the adhesive with Primer M.
- Do not apply too much primer.
- Allow the primer to dry for 3 minutes or more.
- Throw away any leftover primer.

(b) Using a brush or a sponge, apply Primer G to the contact surface of the quarter window glass.



Text in Illustration

*1	Ceramic Notch x 20	-	-
Item	Dimension		
a	11.0 mm (0.433 in.)		
b	19.0 mm (0.748 in.)		

HINT:

If an area other than that specified is coated by accident, wipe off the primer with a non-residue solvent before it dries.

NOTICE:

- To prevent the glass from breaking at low temperatures, ensure that no primer adheres to the contact surface between the moulding and glass during application.
- Allow the primer to dry for 3 minutes or more.
- Throw away any leftover primer.
- Do not apply too much primer.

(c) Apply adhesive to the quarter window assembly.

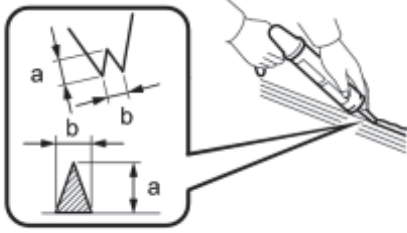
Adhesive:

Toyota Genuine Windshield Glass Adhesive or equivalent

(1) Cut off the tip of the cartridge nozzle as shown in the illustration.

Standard Dimension:

Item	Dimension
------	-----------



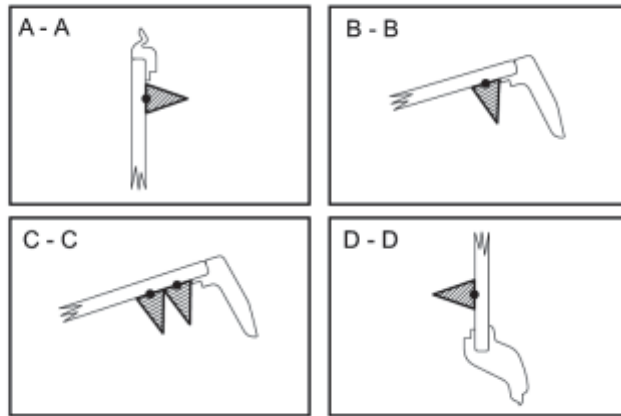
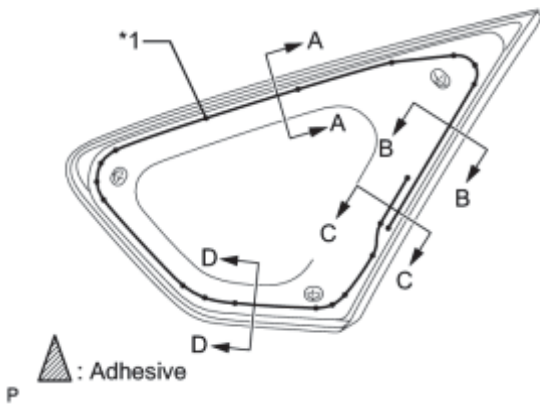
a	12.0 mm (0.472 in.)
b	8.0 mm (0.315 in.)

P

(2) Load the sealer gun with cartridge.

(3) Apply adhesive to the quarter window glass as shown in the illustration.

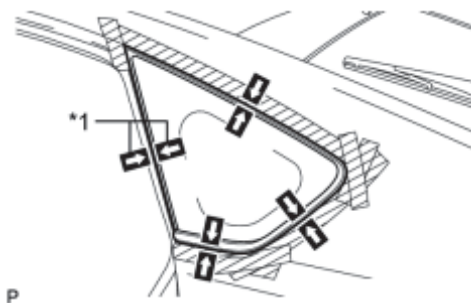
Back Side:



Text in Illustration

*1	Ceramic Notch x 20	-	-
----	--------------------	---	---

(d) Install the quarter window glass to the vehicle body.



(1) Position the quarter window glass so that the matchmarks are aligned, and press it in gently along the rim (when a window with missing clips is used).

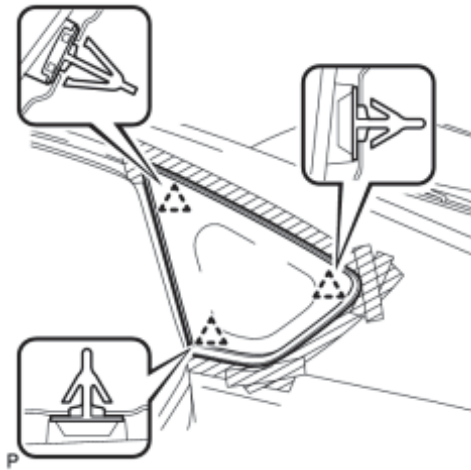
Text in Illustration

*1	Matchmark
----	-----------

(2) Lightly press the front surface of the windshield glass to ensure that the windshield glass is securely fit to the vehicle body (when a window with missing clips is used).

HINT:

Press the glass with a force of 98 N (10 kgf, 22 lbf) or more.



(3) Engage the 3 clips to install the quarter window glass (when a window without missing clips is used).

(4) Hold the quarter window assembly in place securely with protective tape or equivalent until the adhesive hardens.

NOTICE:

- Allow the primer to dry for 3 minutes or more.
- Check that the clips are attached to the body correctly.
- Check the clearance between the body and glass.

(5) Lightly press the outer surface of the glass to ensure that the glass is securely fit to the vehicle body.

(6) Using a scraper, remove any excess or protruding adhesive.

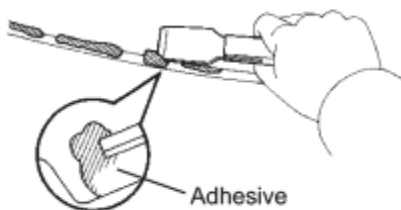
HINT:

Apply adhesive onto the glass rim.

NOTICE:

Do not drive the vehicle within the time described in the table below.

Minimum Time:



Temperature	Minimum Time prior to Driving Vehicle
35°C (95°F)	1 hour and 30 minutes
20°C (68°F)	5 hours
5°C (41°F)	24 hours

3. INSPECT FOR LEAK AND REPAIR

(a) After the adhesive has hardened, apply water from the outside of the vehicle. Check that no water leaks into the cabin.

(b) If water leaks into the cabin, allow the water to dry and add adhesive.

(c) Remove the protective tape.

4. INSTALL ROOF SIDE INNER GARNISH ASSEMBLY_ [INFO](#)

5. INSTALL DECK TRIM SIDE PANEL ASSEMBLY LH (for LH Side)_ [INFO](#)

6. INSTALL DECK TRIM SIDE PANEL ASSEMBLY RH (for RH Side)_ [INFO](#)

7. INSTALL TONNEAU COVER HOLDER CAP_ [INFO](#)

8. INSTALL LUGGAGE HOLD BELT STRIKER ASSEMBLY_ [INFO](#)

9. INSTALL REAR DECK TRIM COVER_ [INFO](#)

10. INSTALL DECK TRIM SERVICE HOLE COVER_ [INFO](#)

11. INSTALL REAR NO. 1 FLOOR BOARD_ [INFO](#)

12. INSTALL REAR NO. 2 FLOOR BOARD SUB-ASSEMBLY_ [INFO](#)

13. INSTALL REAR NO. 1 FLOOR BOARD SUB-ASSEMBLY_ [INFO](#)

14. INSTALL DECK FLOOR BOX LH (for LH Side)_ [INFO](#)

15. INSTALL REAR NO. 4 FLOOR BOARD (for LH Side)_ [INFO](#)

16. INSTALL TONNEAU COVER ASSEMBLY (w/ Tonneau Cover)_ [INFO](#)

17. INSTALL REAR SIDE SEATBACK ASSEMBLY LH (for LH Side)_ [INFO](#)

18. INSTALL REAR SIDE SEATBACK ASSEMBLY RH (for RH Side)_ [INFO](#)

19. INSTALL REAR SEAT CUSHION ASSEMBLY_ [INFO](#)

20. CONNECT REAR DOOR OPENING TRIM WEATHERSTRIP_ [INFO](#)

21. INSTALL REAR DOOR SCUFF PLATE_ [INFO](#)

22. INSTALL REAR NO. 3 FLOOR BOARD (for RH Side)_ [INFO](#)

23. INSTALL REAR DECK FLOOR BOX_ [INFO](#)

24. INSTALL REAR NO. 2 FLOOR BOARD (for Separate Type)_ [INFO](#)