

REPLACEMENT

1. REMOVE FRONT SPOILER COVER (for Standard)

2. REMOVE ENGINE UNDER COVER (w/ Cover)

3. DRAIN COOLANT (for Inverter)

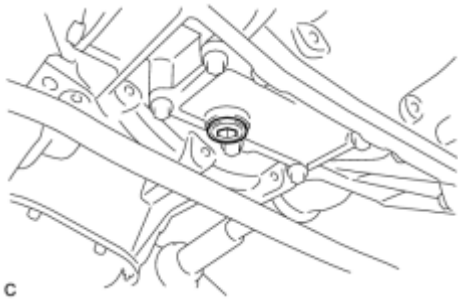
NOTICE:

- Do not reuse the drained coolant because it may contain foreign objects.
- Collect the drained coolant and measure its volume to establish a benchmark. When adding coolant, make sure to add more coolant than the measured amount.

(a) Remove the reserve tank cap.

CAUTION:

To avoid the danger of being burned, do not remove the reserve tank cap while the coolant for the inverter is still hot.



(b) Using a hexagon wrench (10 mm), remove the drain plug indicated in the illustration and drain the coolant.

CAUTION:

Use caution when handling coolant immediately after driving or in summer because it may be hot.

(c) Install the plug with a new gasket.

Torque: **39 N·m (397 kgf·cm, 29ft·lbf)**

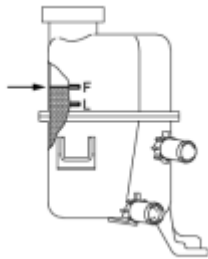
4. ADD COOLANT (for Inverter)

NOTICE:

- Do not reuse the drained coolant because it may contain foreign objects.
- If the vehicle is driven with air in the inverter cooling system, damage may occur and the following DTCs may be set.

DTC Code	Detection Item
P0A01-726	Motor Electronics Coolant Temperature Sensor Circuit Range / Performance
P0A04-725	Motor Electronics Coolant Temperature Sensor Circuit Intermittent
P0A08-264	DC / DC Converter Status Circuit

DTC Code	Detection Item
P0A78-284	Drive Motor "A" Inverter Performance
P0A78-286	Drive Motor "A" Inverter Performance
P0A7A-322	Generator Inverter Performance
P0A7A-324	Generator Inverter Performance
P0A93-346	Inverter Cooling System Performance
P0A94-553	DC / DC Converter Performance
P0A94-557	DC / DC Converter Performance
P0AEE-277	Motor Inverter Temperature Sensor "A" Circuit Range / Performance
P0AF1-276	Drive Motor Inverter Temperature Sensor "A" Circuit Intermittent / Erratic
P0BCD-315	Generator Inverter Temperature Sensor Circuit Range / Performance
P0BD0-314	Generator Inverter Temperature Sensor Circuit Intermittent / Erratic
P0C39-626	DC / DC Converter Temperature Sensor "A" Range / Performance
P0C3C-625	DC / DC Converter Temperature Sensor "A" Intermittent / Erratic
P0C3E-628	DC / DC Converter Temperature Sensor "B" Range / Performance
P0C41-627	DC / DC Converter Temperature Sensor "B" Intermittent / Erratic
P0C73-776	Motor Electronics Coolant Pump "A" Control Performance



c

(a) Slowly pour coolant into the reserve tank until it reaches the F line.

Coolant quantity:

2.1 liters (2.2 US qts, 1.8 Imp. qts.)

(b) When using the Techstream:

(1) Connect the Techstream to the DLC3.

(2) Turn the power switch on (IG).

(3) On the Techstream, enter the following menus: Powertrain / Hybrid Control / Active Test / Activate the Water Pump.

(4) Keep the coolant at the F line in the reserve tank to compensate for the drop in coolant level when the air bleeds.

Standard:

Air bleeding from the inverter cooling system is completed when the noise made by the water pump becomes smaller and the circulation of coolant in the reserve tank improves.

HINT:

Loud noise made by the water pump and poor circulation of coolant in the reserve tank indicates that there is air in the cooling system.

(c) When not using the Techstream:

(1) Turn the power switch on (READY). [*1]

(2) Turn the power switch off and add coolant to the F line because the coolant level drops as the air bleeds. [*2]

NOTICE:

- Be sure to turn the power switch off before adding SLLC.
- Do not work on the components in the engine compartment while the vehicle is in the READY-on state because the engine is in intermittent operation.

(3) Repeat steps [*1] and [*2] until air bleeding from the cooling system is completed.

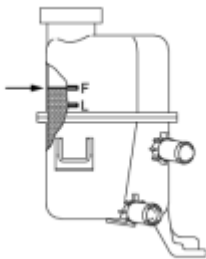
Standard:

Air bleeding from the inverter cooling system is completed when the noise made by the water pump becomes smaller and the circulation of coolant in the reserve tank improves.

HINT:

Loud noise made by the water pump and poor circulation of coolant in the reserve tank indicates that there is air in the cooling system.

(d) After the air is completely bled from the cooling system, tighten the reserve tank cap.



(e) Add coolant to the F line of the reserve tank.

c

5. INSPECT FOR COOLANT LEAK (for Inverter) INFO

6. INSTALL ENGINE UNDER COVER (w/ Cover)

7. INSTALL FRONT SPOILER COVER (for Standard)