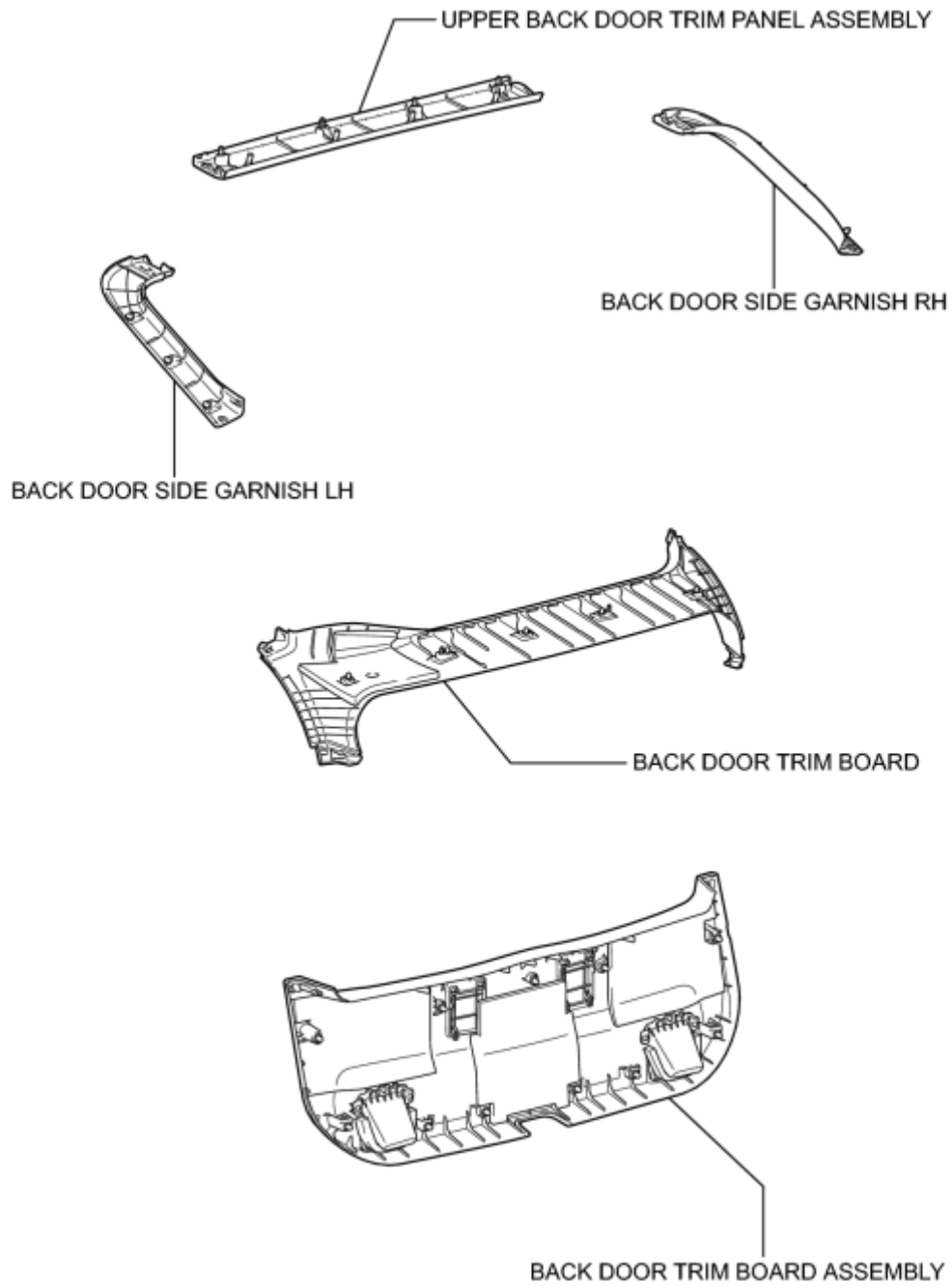


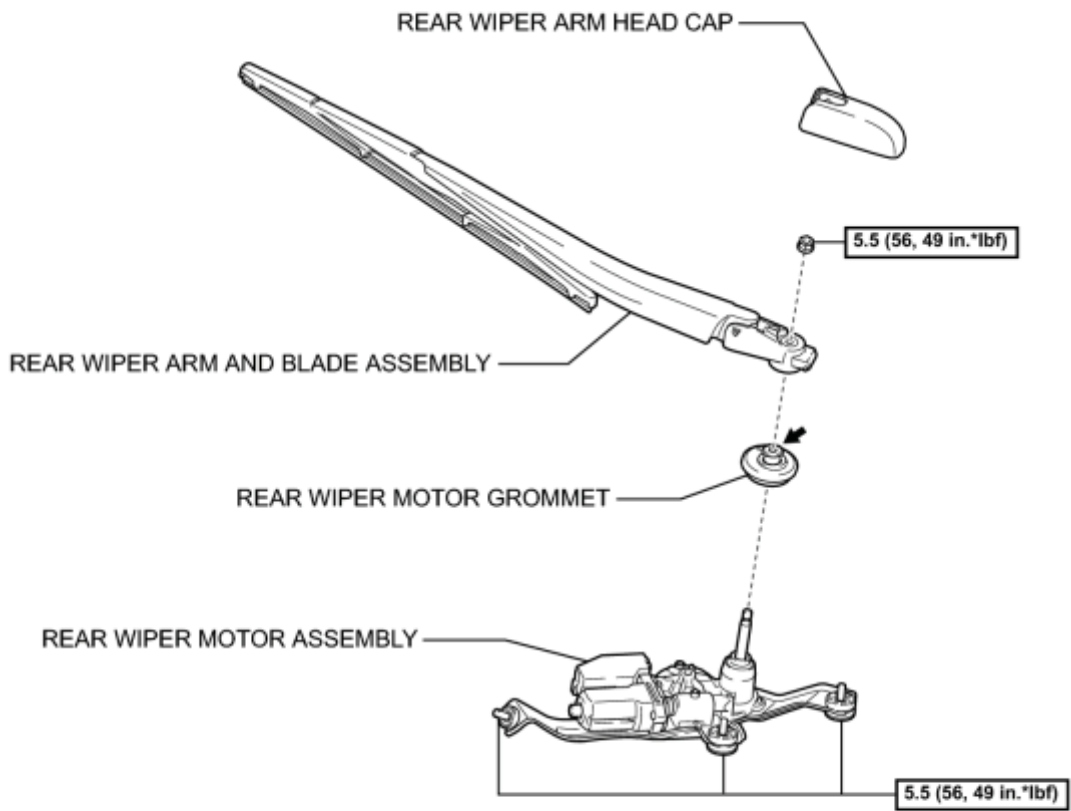
# COMPONENTS

## ILLUSTRATION



P

## ILLUSTRATION



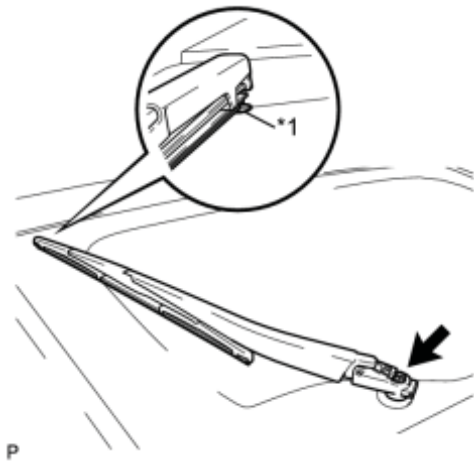
[N\*m (kgf\*cm, ft.\*lbf)]: Specified torque

← MP grease

P

# ON-VEHICLE INSPECTION

## 1. INSPECT REAR WIPER MOTOR ASSEMBLY



(a) Operate the rear wiper motor assembly.

(b) Stop the rear wiper motor assembly operation.

(c) Check the automatic stop position.

Standard Clearance:

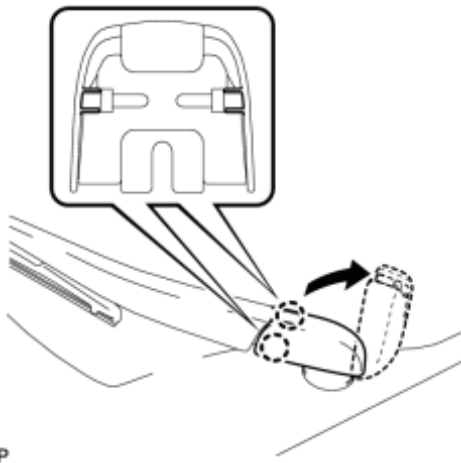
Area	Measurement
A	30 mm (1.18 in.)

### *Text in Illustration*

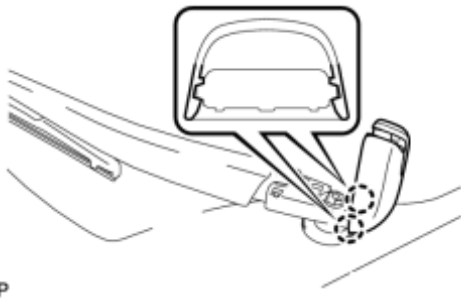
*1	Ceramic Line
----	--------------

# REMOVAL

1. REMOVE UPPER BACK DOOR TRIM PANEL ASSEMBLY\_ INFO
2. REMOVE BACK DOOR SIDE GARNISH RH\_ INFO
3. REMOVE BACK DOOR SIDE GARNISH LH\_ INFO
4. REMOVE BACK DOOR TRIM BOARD ASSEMBLY\_ INFO
5. REMOVE BACK DOOR TRIM BOARD\_ INFO
6. REMOVE REAR WIPER ARM HEAD CAP



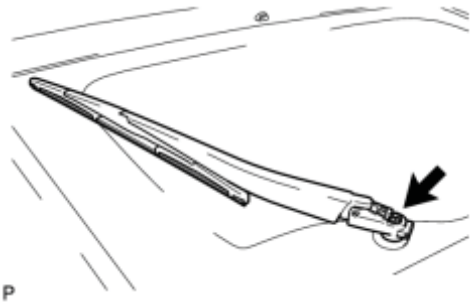
(a) Disengage the 2 claws and open the rear wiper arm head cap as shown in the illustration.



(b) Disengage the 2 claws and remove the rear wiper arm head cap.

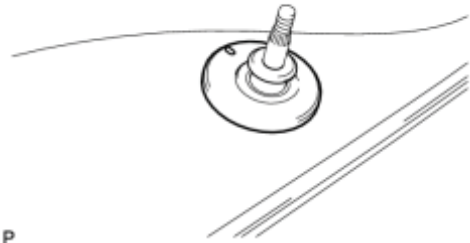
7. REMOVE REAR WIPER ARM AND BLADE ASSEMBLY

(a) Remove the nut, and the rear wiper arm and blade assembly.



P

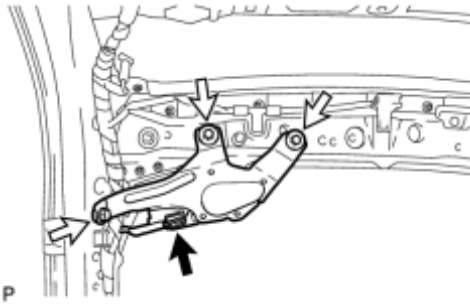
8. REMOVE REAR WIPER MOTOR GROMMET



P

(a) Remove the rear wiper motor grommet.

9. REMOVE REAR WIPER MOTOR ASSEMBLY



P

(a) Disconnect the connector.

(b) Remove the 3 bolts and the rear wiper motor assembly.

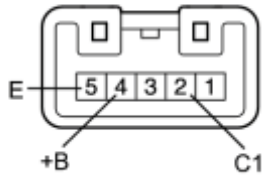
# INSPECTION

## 1. INSPECT REAR WIPER MOTOR ASSEMBLY

(a) Check the wiper intermittent operation.

(1) Connect a battery positive (+) lead to terminal 4 (+B), and a negative (-) lead to terminal 2 (C1) and terminal 5 (E), and check that the motor operates.

\*1



OK:

Motor operates.

### Text in Illustration

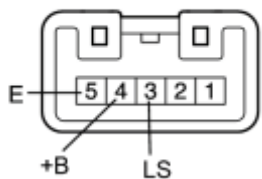
*1	Component without harness connected (Rear Wiper Motor and Bracket Assembly)
----	--

If the result is not as specified, replace the motor assembly.

(b) Check the wiper continuous operation.

(1) Connect a battery positive (+) lead to terminal 4 (+B), and a negative (-) lead to terminal 3 (LS) and terminal 5 (E), and check that the motor operates.

\*1



OK:

Motor operates.

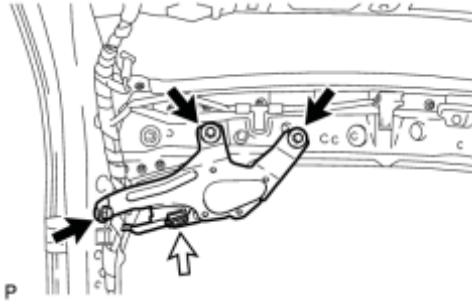
### Text in Illustration

*1	Component without harness connected (Rear Wiper Motor and Bracket Assembly)
----	--

If the result is not as specified, replace the motor assembly.

# INSTALLATION

## 1. INSTALL REAR WIPER MOTOR ASSEMBLY



(a) Install the rear wiper motor assembly with the 3 bolts.

Torque: **5.5 N·m (56 kgf·cm, 49in·lbf)**

(b) Connect the connector.

## 2. INSTALL BACK DOOR TRIM BOARD INFO

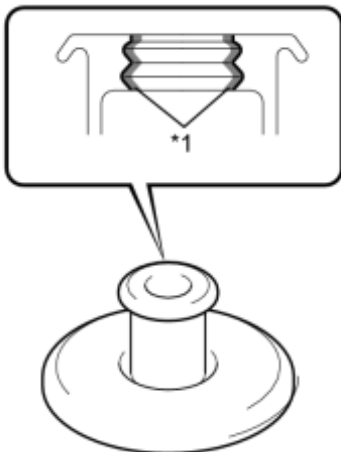
## 3. INSTALL BACK DOOR TRIM BOARD ASSEMBLY INFO

## 4. INSTALL BACK DOOR SIDE GARNISH LH INFO

## 5. INSTALL BACK DOOR SIDE GARNISH RH INFO

## 6. INSTALL UPPER BACK DOOR TRIM PANEL ASSEMBLY INFO

## 7. INSTALL REAR WIPER MOTOR GROMMET



(a) Apply MP grease to the entire surface of the rear wiper motor grommet lip.

### Text in Illustration

*1	MP grease
----	-----------

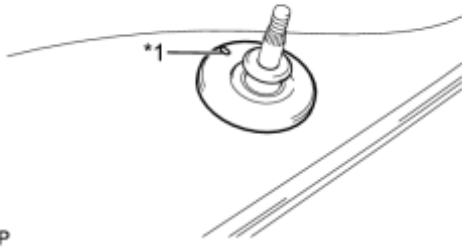
HINT:

Make sure that the hole does not get clogged with grease and the grooves on the lip are filled with grease.

(b) Install the rear wiper motor grommet.

HINT:

Install the grommet with its alignment mark facing up.

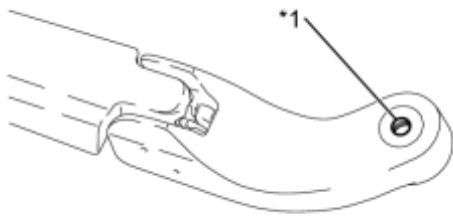


## Text in Illustration

*1	Alignment Mark
----	----------------

## 8. INSTALL REAR WIPER ARM AND BLADE ASSEMBLY

- (a) Operate the wiper and stop the windshield wiper motor at the automatic stop position.
- (b) When reusing the rear wiper arm and blade assembly:

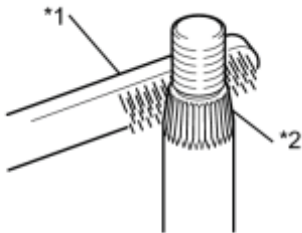


- (1) Clean the wiper arm serrations.

## Text in Illustration

*1	Wiper Arm Serration
----	---------------------

- (c) When reusing the rear wiper motor assembly:



- (1) Clean the wiper pivot serrations with a wire brush.

## Text in Illustration

*1	Wire Brush
----	------------

*2	Wiper Pivot Serration
----	-----------------------

- (d) Install the rear wiper arm and blade assembly with the nut to the position shown in the illustration.

## Text in Illustration

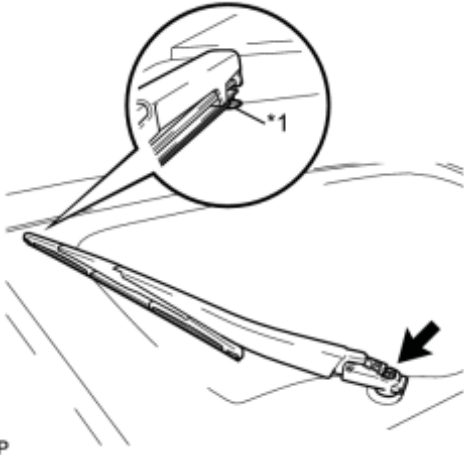
*1	Ceramic Dot
----	-------------

Torque: **5.5 N·m (56 kgf·cm, 49in·lbf)**



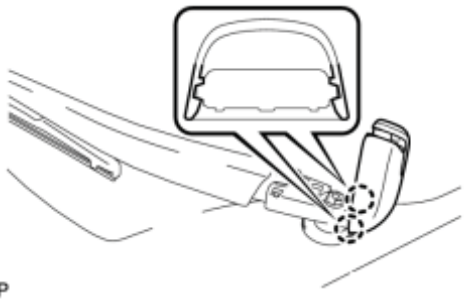
HINT:

Hold the wiper arm by hand while tightening the nut.

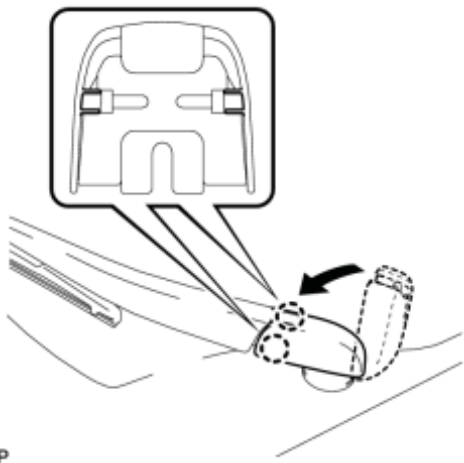


(e) Operate the rear wiper while spraying washer fluid onto the back door glass. Make sure that the rear wiper functions properly and the wiper does not come into contact with the vehicle body.

## 9. INSTALL REAR WIPER ARM HEAD CAP



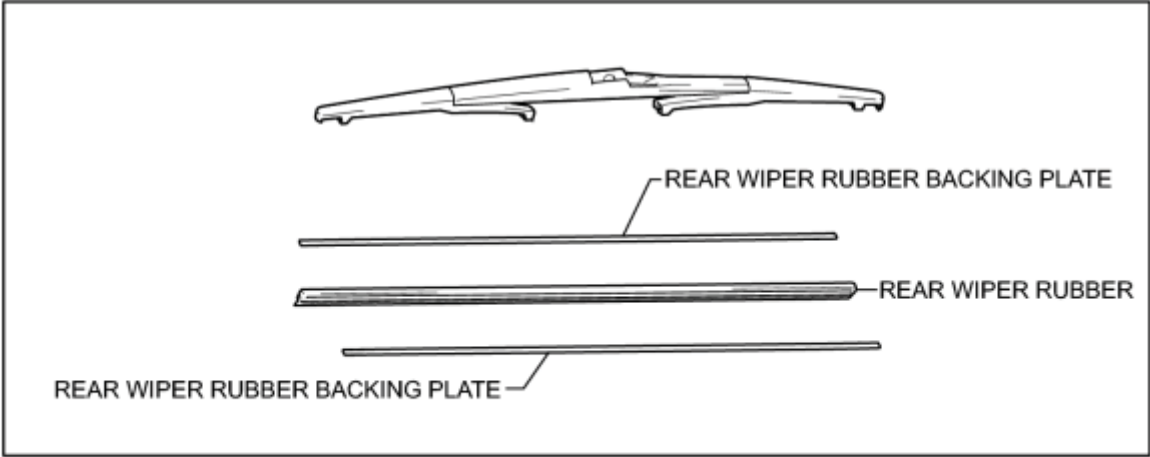
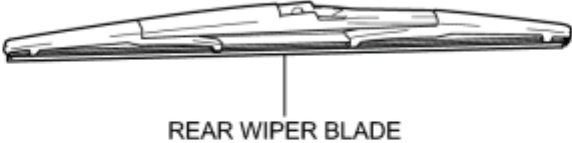
(a) Engage the 2 claws to install the rear wiper arm head cap.



(b) Engage the 2 claws to close the rear wiper arm head cap as shown in the illustration.

# COMPONENTS

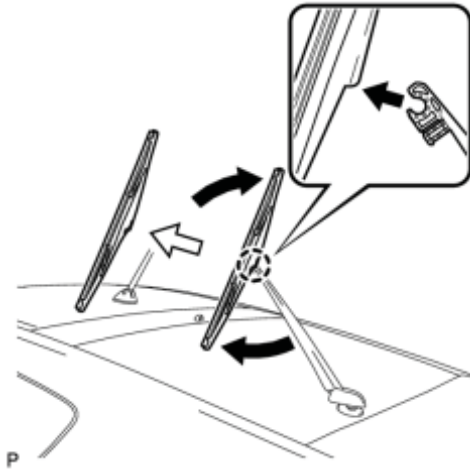
# ILLUSTRATION



P

# REPLACEMENT

## 1. REMOVE REAR WIPER BLADE



(a) Raise the wiper blade to the position where the claw detaches with a click sound as shown in the illustration.

NOTICE:

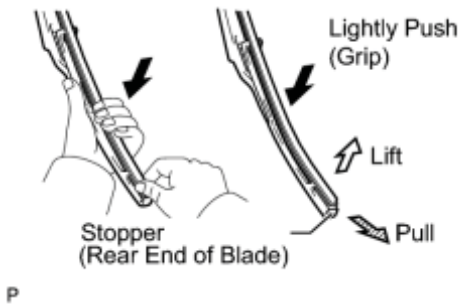
Be careful not to damage the claw.

(b) Pull the wiper blade straight toward to remove it from the wiper arm.

NOTICE:

Do not lower the wiper arm with the wiper blade removed. The arm tip may damage the back door glass surface.

## 2. REMOVE REAR WIPER RUBBER



(a) Lift and pull the end of the wiper rubber protrusion from the blade stopper as shown in the illustration.

NOTICE:

Do not forcibly pull out the wiper rubber. The backing plates will be deformed or the blade claws will be damaged.

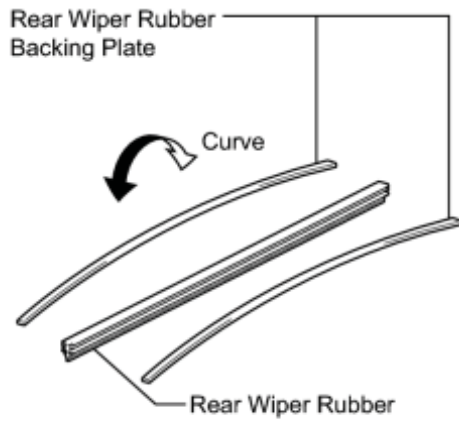
HINT:

Lightly pushing the rubber in the middle will allow it to be removed more easily.

(b) Remove the rear wiper rubber backing plates.

## 3. INSTALL REAR WIPER RUBBER

(a) Install the rear wiper rubber backing plates as shown in the illustration.

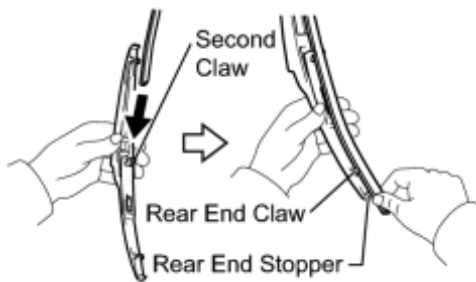


NOTICE:

Install the backing plates facing the correct direction.

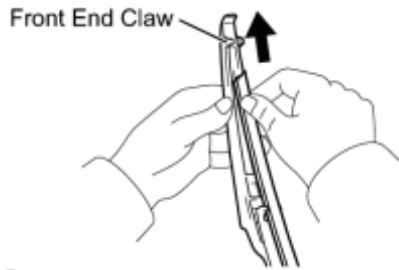
P

(b) Insert the wiper rubber from the front end of the wiper blade to the rear end through the second claw.



P

(c) After pushing the wiper rubber through the rear end claw, allow it to stick out from the rear end stopper.

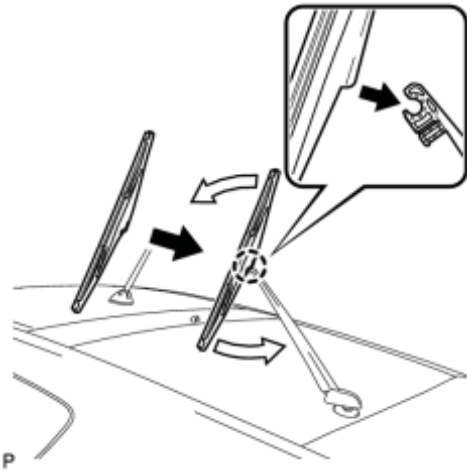


P

(d) Slide the wiper rubber through the front end claw.

#### 4. INSTALL REAR WIPER BLADE

(a) Push the wiper blade straight toward to install it to the wiper arm.



(b) Engage the claw to install the rear wiper blade as shown in the illustration.

**NOTICE:**

Be careful not to damage the claw.