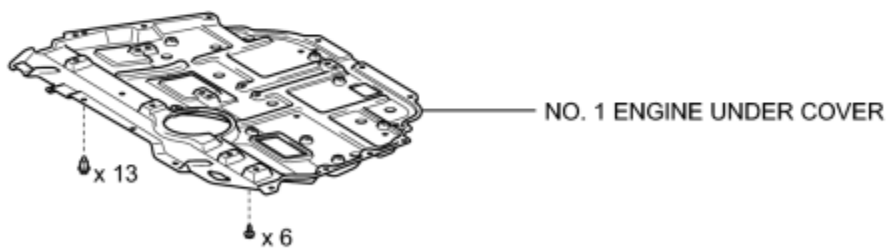
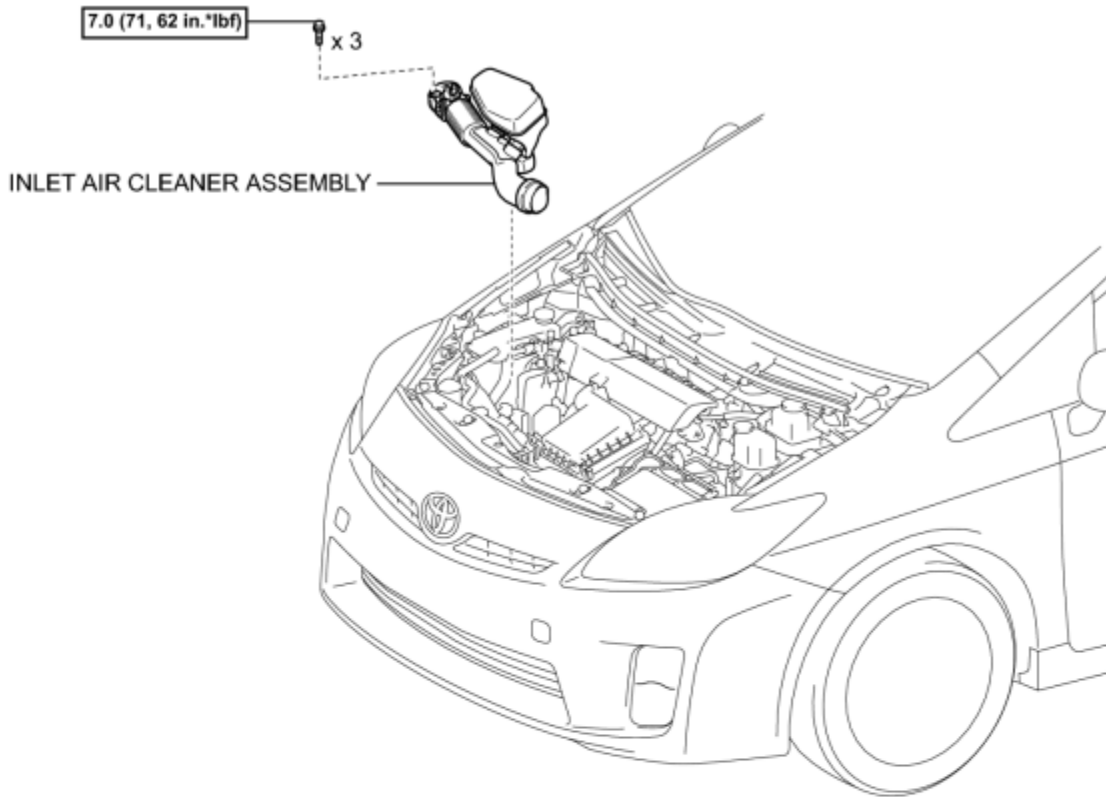


# COMPONENTS

# ILLUSTRATION



**N\*m (kgf\*cm, ft.\*lbf):** Specified torque

# ILLUSTRATION