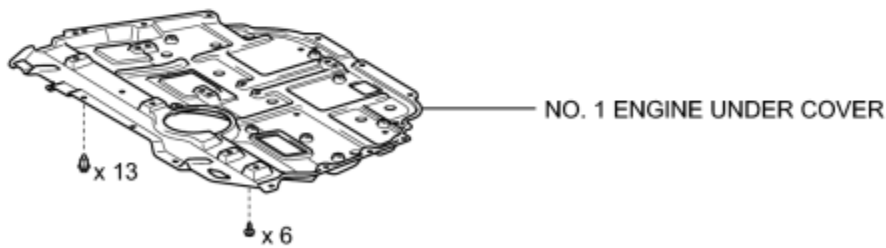
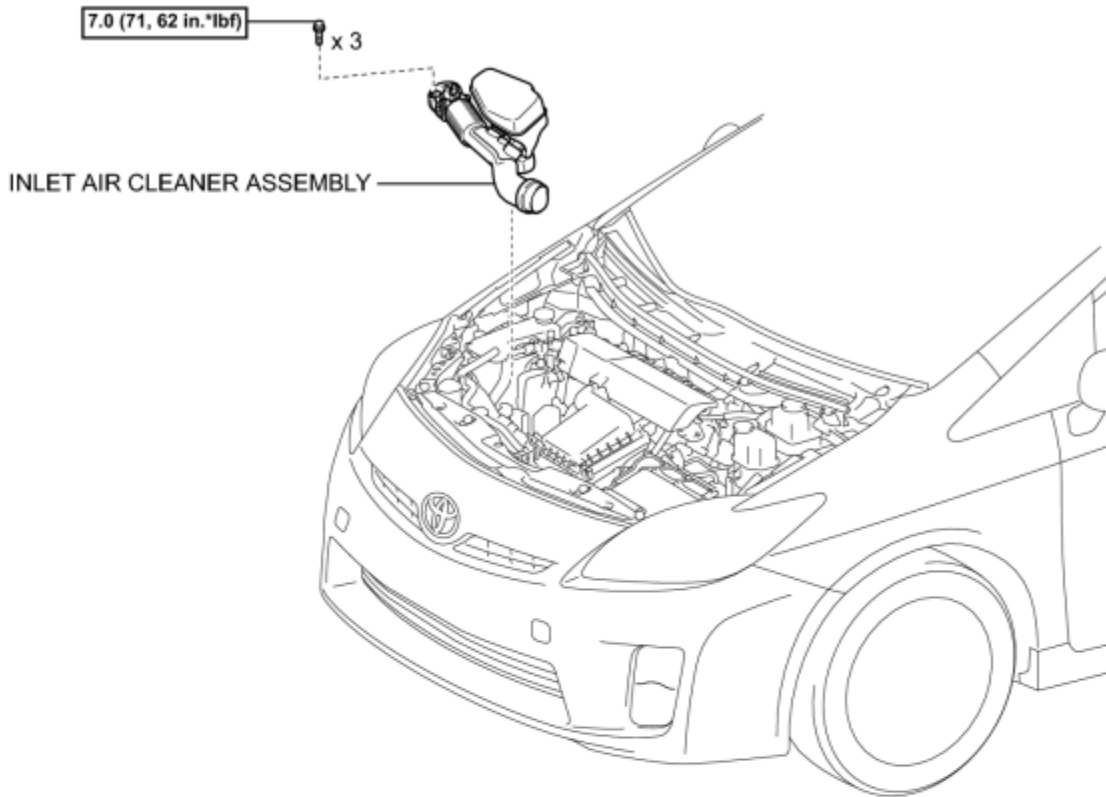


COMPONENTS

ILLUSTRATION



N*m (kgf*cm, ft.*lbf): Specified torque

ILLUSTRATION