

ADJUSTMENT

1. INSPECT PARKING BRAKE PEDAL TRAVEL

- (a) Fully depress the parking brake pedal to engage the parking brake.
- (b) Depress the pedal again to disengage the parking brake.



- (c) Slowly depress the parking brake pedal using the specified force, and count the number of clicks.

Parking brake pedal travel:

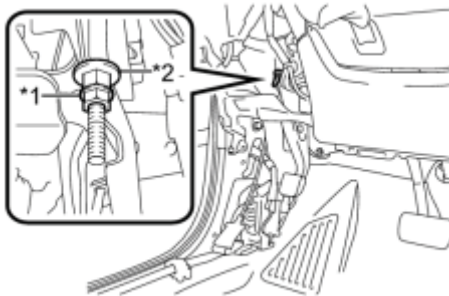
8 to 11 notches at 300 N (31 kgf, 67.5 lbf)

If the parking brake pedal travel is not as specified, adjust the parking brake pedal travel.

P

2. ADJUST PARKING BRAKE PEDAL TRAVEL

- (a) Remove the lower instrument panel finish panel assembly INFO.
- (b) Completely release the parking brake pedal.



- (c) Loosen the lock nut and the adjusting nut to completely release the parking brake cable.

Text in Illustration

*1	Lock Nut
*2	Adjusting Nut

- (d) Turn the adjusting nut until the parking brake pedal travel is corrected to be within the specified range.

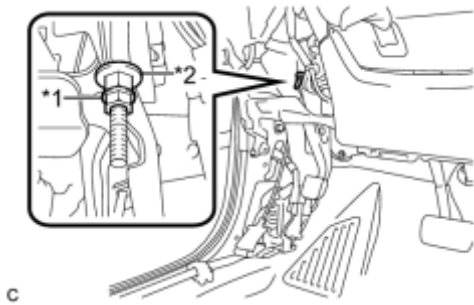
Parking brake pedal travel:

8 to 11 notches at 300 N (31 kgf, 67.5 lbf)

- (e) Using a wrench or an equivalent tool, hold the adjusting nut and tighten the lock nut.

Text in Illustration

*1	Lock Nut
----	----------



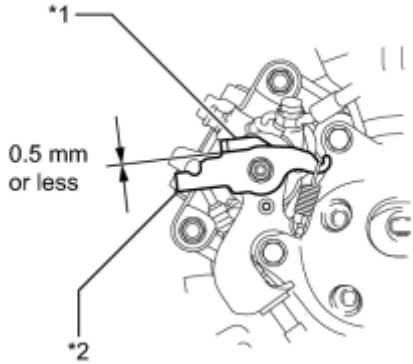
*2	Adjusting Nut
----	---------------

Torque: 5.4 N·m (55 kgf·cm, 48in·lbf)

- (f) Operate the parking brake pedal 3 to 4 times, and check the parking brake pedal travel.
- (g) Check whether the parking brake drags or not.
- (h) Install the lower instrument panel finish panel assembly INFO.

3. INSPECT REAR DISC BRAKE CYLINDER OPERATION LEVER AND STOPPER CLEARANCE

- (a) Release the parking brake lever and check that the clearance measurement between the rear disc brake cylinder operation lever and the stopper is within the specified range.



Text in Illustration

*1	Stopper
*2	Operation Lever

Clearance:
0.5 mm (0.0197 in.) or less

If the clearance is not within the specified range, replace the rear disc brake caliper assembly.

4. INSPECT BRAKE WARNING LIGHT

- (a) When operating the parking brake pedal, check that the brake warning light illuminates.
- Standard:

The brake warning light always illuminates at the first click.