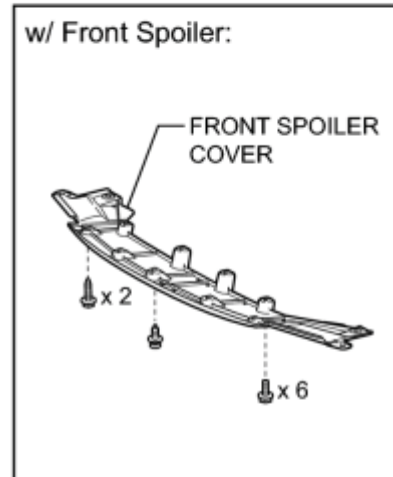
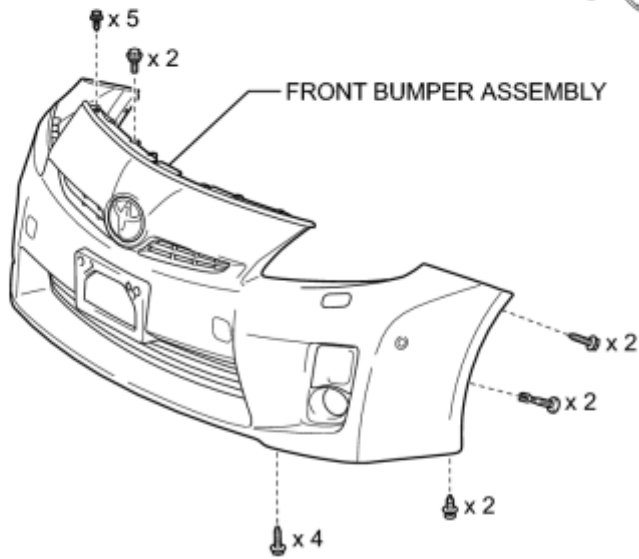
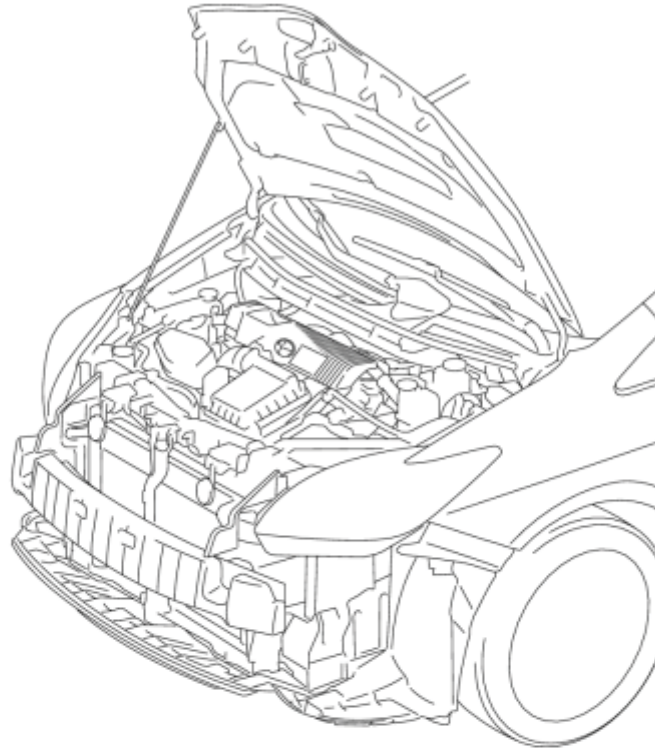
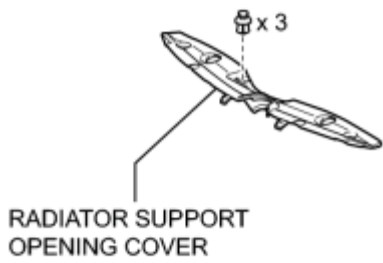


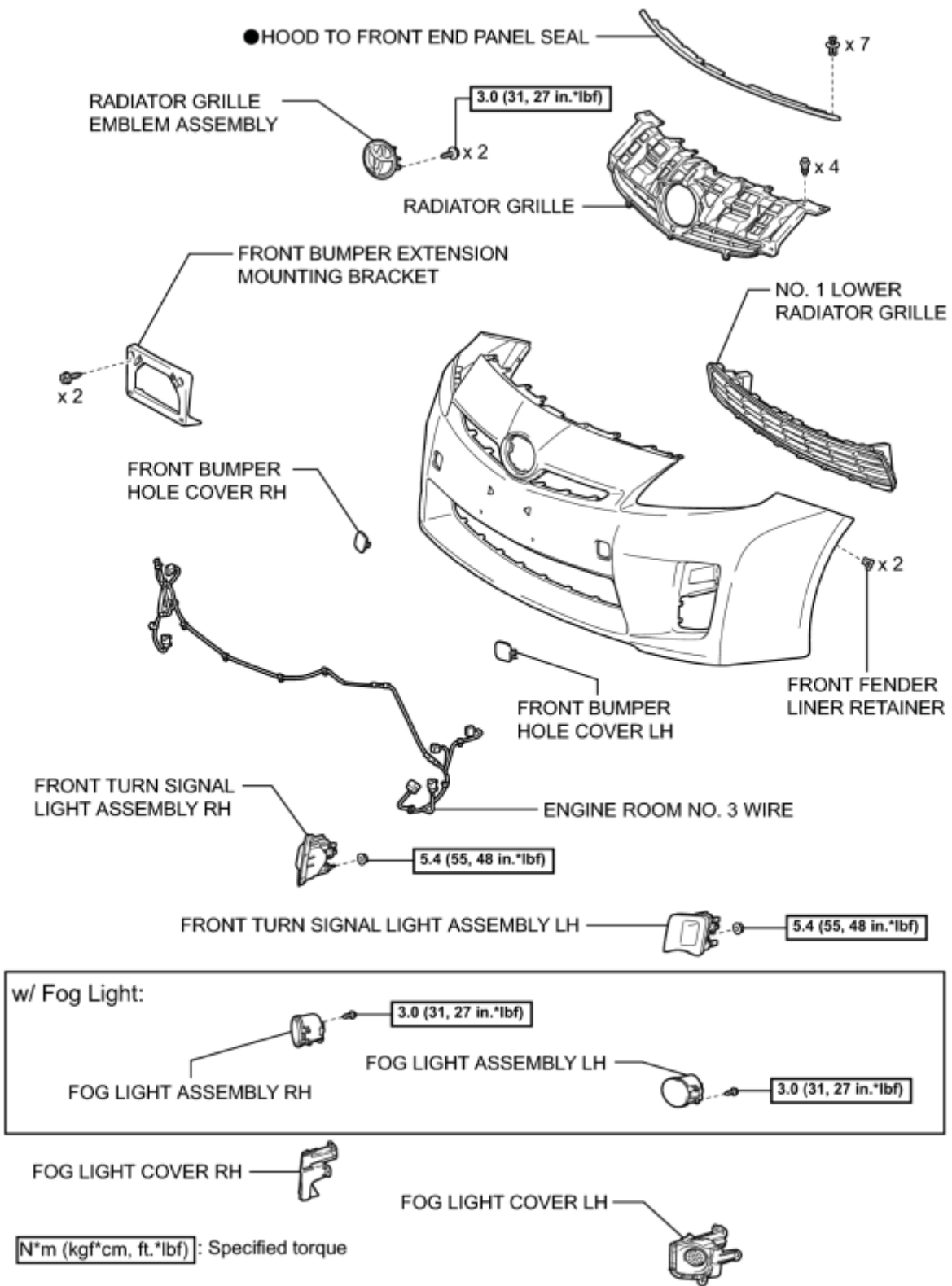
COMPONENTS

ILLUSTRATION



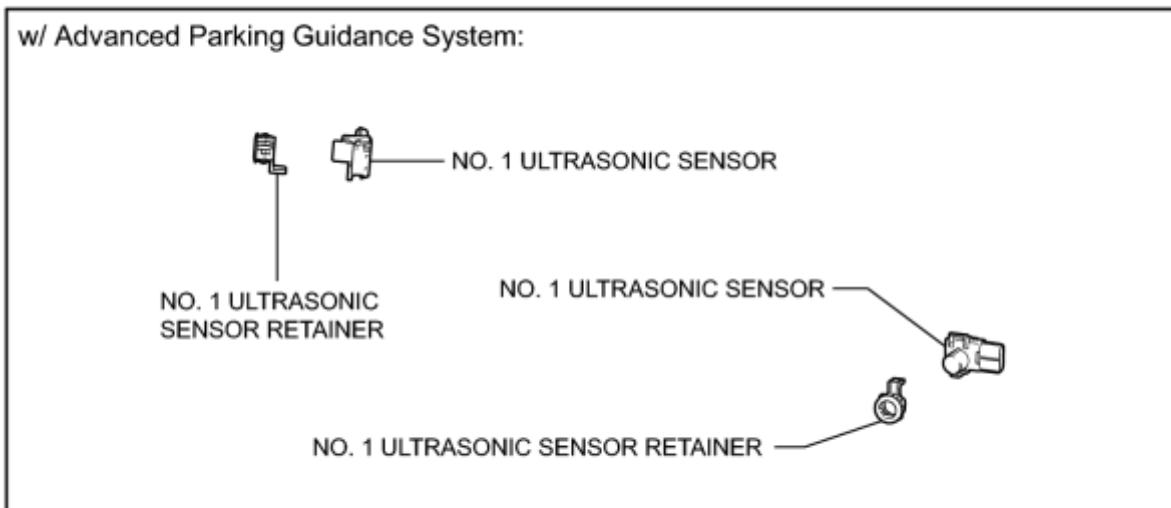
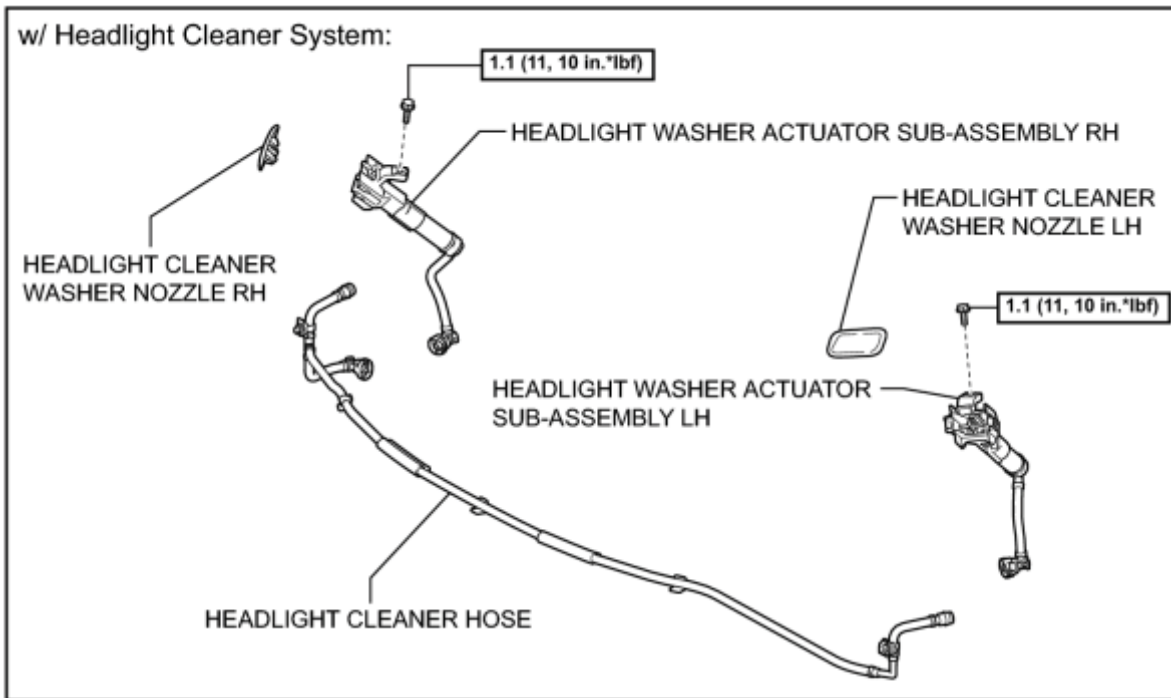
P

ILLUSTRATION



P

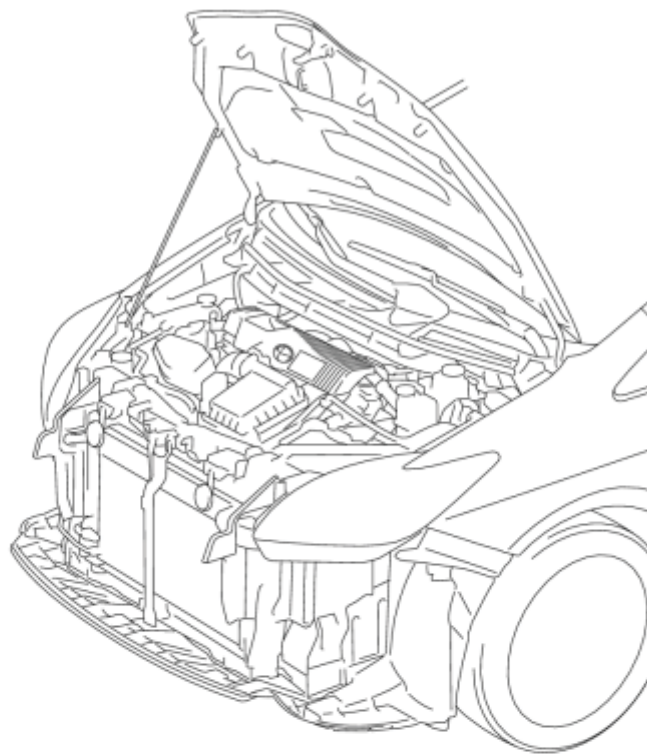
ILLUSTRATION



N*m (kgf*cm, ft.*lbf): Specified torque

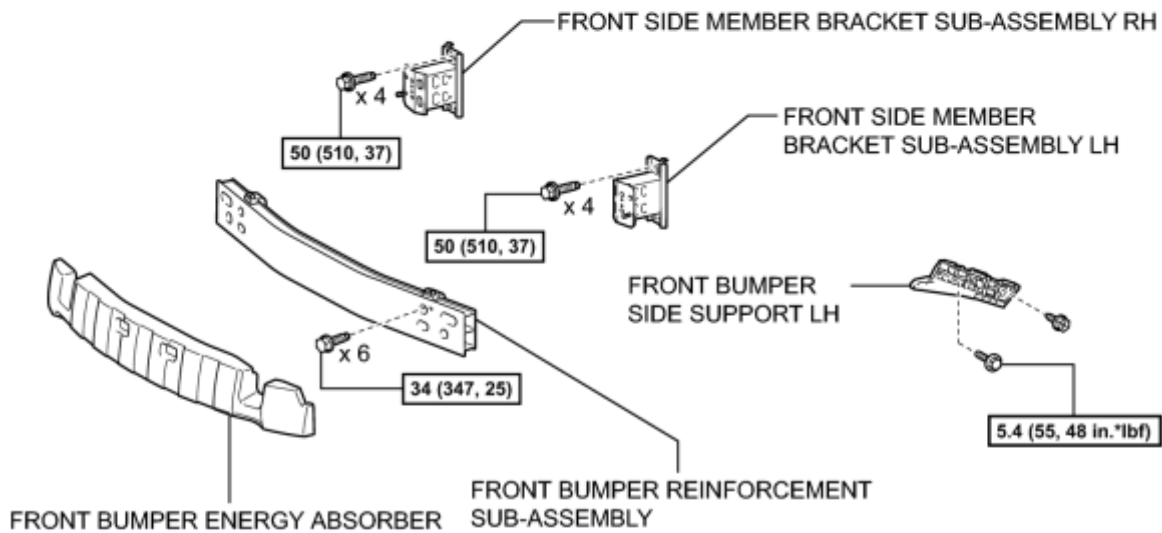
P

ILLUSTRATION



5.4 (55, 48 in.*lbf)

FRONT BUMPER SIDE SUPPORT RH

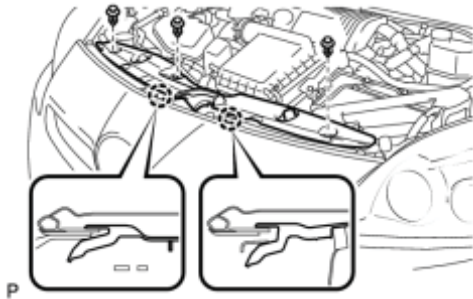


N*m (kgf*cm, ft.*lbf) : Specified torque

P

REMOVAL

1. REMOVE RADIATOR SUPPORT OPENING COVER

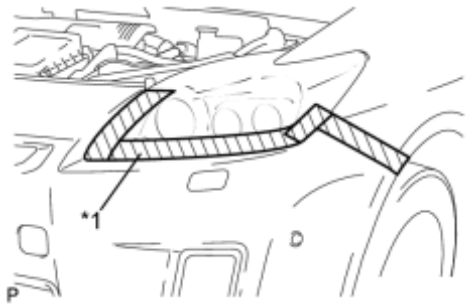


(a) Remove the 3 clips.

(b) Disengage the 2 claws and remove the radiator support opening cover.

2. REMOVE FRONT BUMPER ASSEMBLY

(a) Put protective tape around the front bumper assembly.

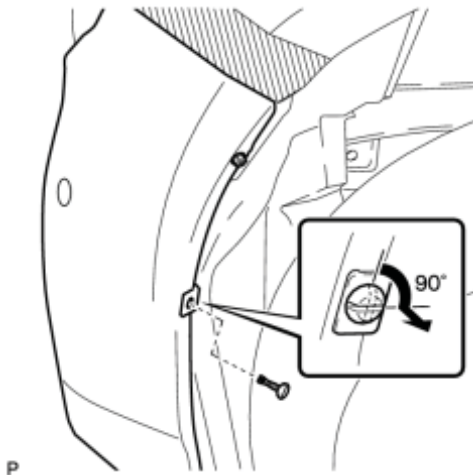


Text in Illustration

*1	Protective Tape
----	-----------------

HINT:

Use the same procedure for the RH side and LH side.



(b) Using a screwdriver, turn the pins 90 degrees and remove the pin hold clip.

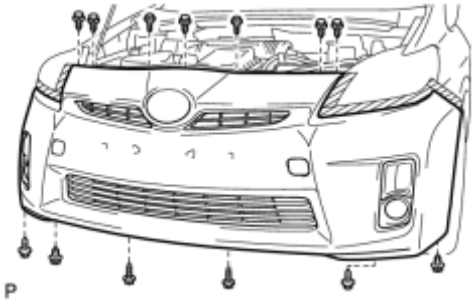
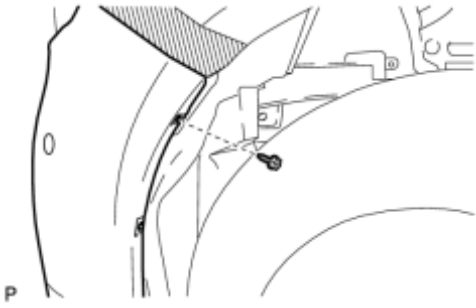
HINT:

Use the same procedure for the RH side and LH side.

(c) Remove the screw.

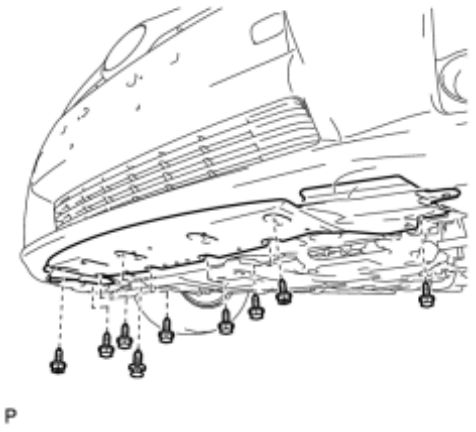
HINT:

Use the same procedure for the RH side and LH side.



(d) Remove the 2 bolts and 4 screws.

(e) Using a clip remover, remove the 7 clips.



(f) Using a clip remover, remove the clip. (w/ Front Spoiler)

(g) Remove the 6 bolts and 2 screws, and front spoiler cover. (w/ Front Spoiler)

(h) Disengage the 3 claws and remove the front bumper assembly.

HINT:

Use the same procedure for the RH side and LH side.

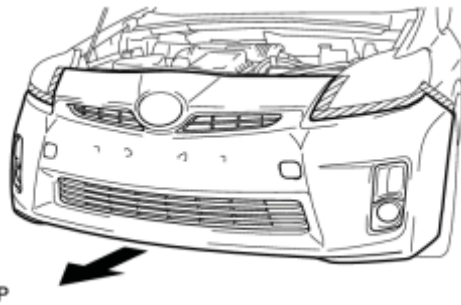


(i) Disconnect each connector.

(j) Disconnect the headlight cleaner hose and drain the washer fluid. (w/ Headlight Cleaner System)

HINT:

Use a container to collect the washer fluid.



(k) Remove the front bumper assembly as shown in the illustration.

DISASSEMBLY

1. REMOVE HEADLIGHT CLEANER WASHER NOZZLE LH (w/ Headlight Cleaner System) INFO

2. REMOVE HEADLIGHT CLEANER WASHER NOZZLE RH (w/ Headlight Cleaner System)

HINT:

Use the same procedure for the RH side and LH side.

3. REMOVE HEADLIGHT WASHER ACTUATOR SUB-ASSEMBLY LH (w/ Headlight Cleaner System) INFO

4. REMOVE HEADLIGHT WASHER ACTUATOR SUB-ASSEMBLY RH (w/ Headlight Cleaner System)

HINT:

Use the same procedure for the RH side and LH side.

5. REMOVE NO. 1 ULTRASONIC SENSOR (w/ Advanced Parking Guidance System) INFO

6. REMOVE NO. 1 ULTRASONIC SENSOR RETAINER (w/ Advanced Parking Guidance System) INFO

7. REMOVE FRONT TURN SIGNAL LIGHT ASSEMBLY LH INFO

8. REMOVE FRONT TURN SIGNAL LIGHT ASSEMBLY RH

HINT:

Use the same procedure for the RH side and LH side.

9. REMOVE FOG LIGHT ASSEMBLY LH (w/ Fog Light) INFO

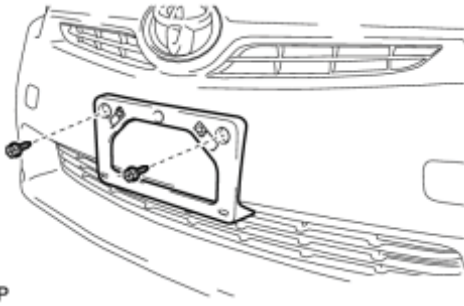
10. REMOVE FOG LIGHT ASSEMBLY RH (w/ Fog Light)

HINT:

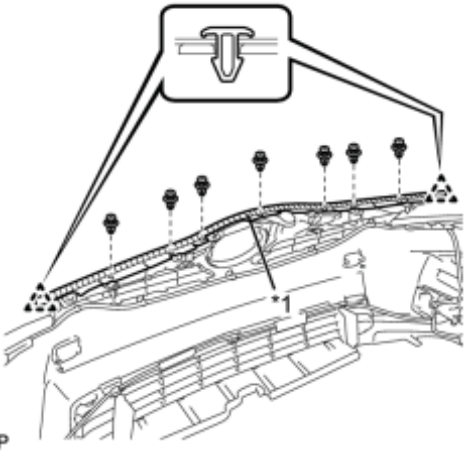
Use the same procedure for the RH side and LH side.

11. REMOVE FRONT BUMPER EXTENSION MOUNTING BRACKET

(a) Remove the 2 screws and front bumper extension mounting bracket.



12. REMOVE HOOD TO FRONT END PANEL SEAL



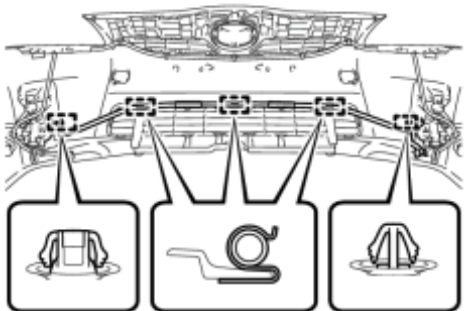
(a) Remove the 7 clips.

Text in Illustration

*1 Double-sided Tape

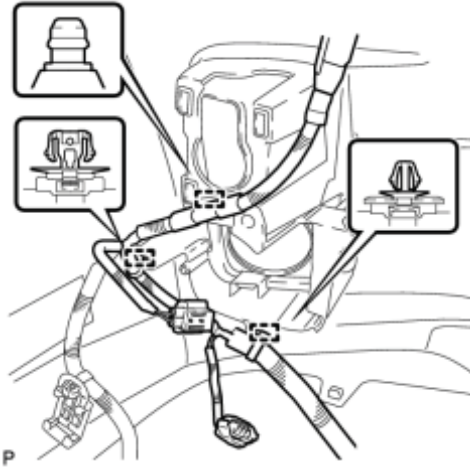
(b) Disengage the 2 clips and remove the hood to front end panel seal.

13. REMOVE HEADLIGHT CLEANER HOSE (w/ Headlight Cleaner System)

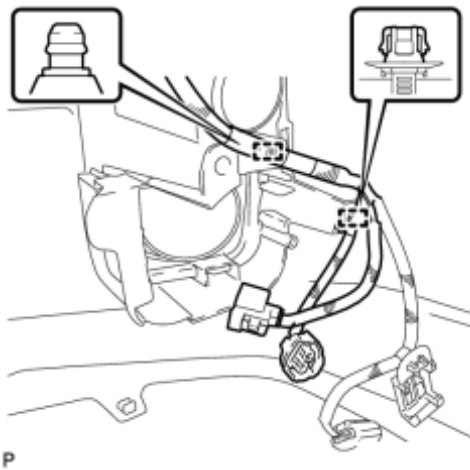


(a) Disengage the 5 clamps and remove the headlight cleaner hose.

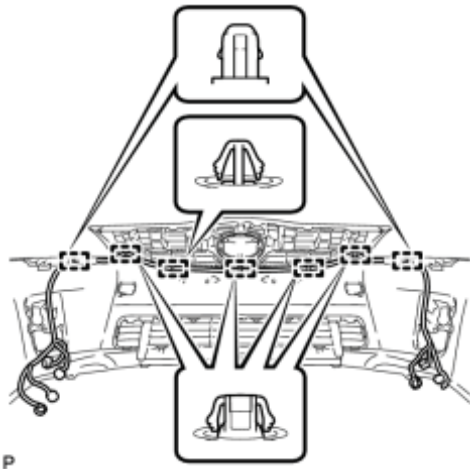
14. REMOVE ENGINE ROOM NO. 3 WIRE



(a) Disengage the 3 clamps.



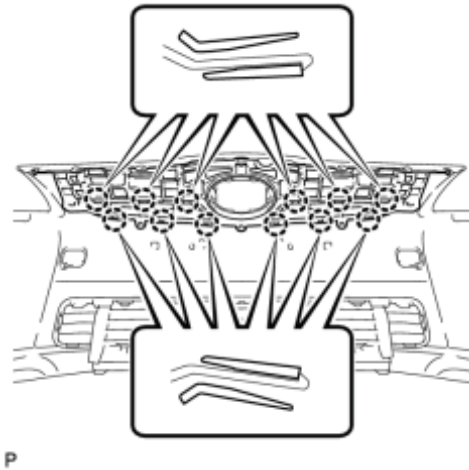
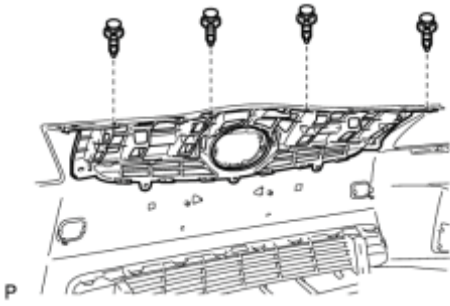
(b) Disengage the 2 clamps.



(c) Disengage the 7 clamps and remove the engine room No. 3 wire.

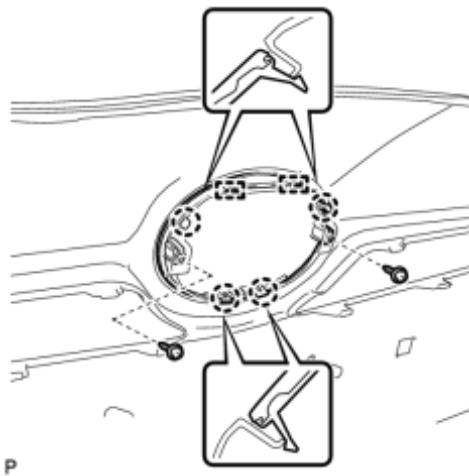
15. REMOVE RADIATOR GRILLE

(a) Remove the 4 clips.



(b) Disengage the 12 claws and remove the radiator grille.

16. REMOVE RADIATOR GRILLE EMBLEM ASSEMBLY

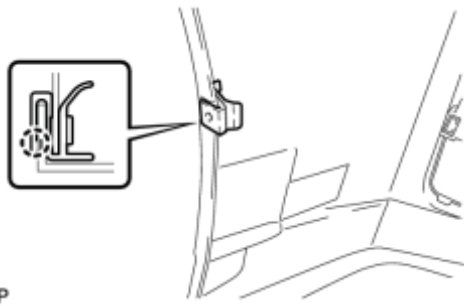


(a) Remove the 2 screws.

(b) Disengage the 4 claws and 2 pins, and remove the radiator grille emblem assembly.

17. REMOVE FRONT FENDER LINER RETAINER

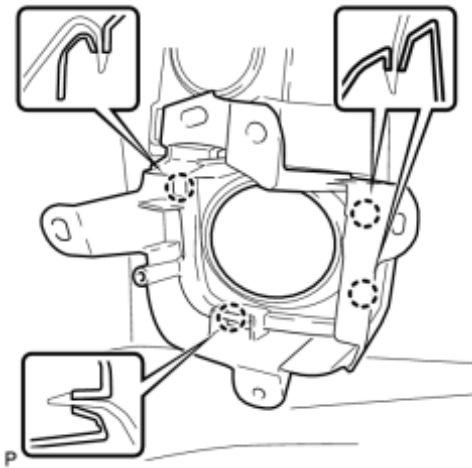
(a) Disengage the claw and remove the front fender liner retainer.



HINT:

Use the same procedure for the RH side and LH side.

18. REMOVE FOG LIGHT COVER LH



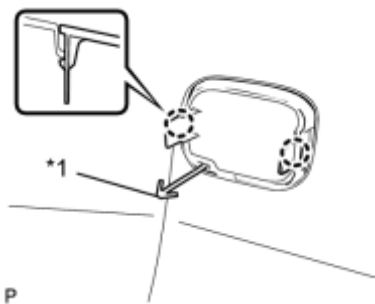
(a) Disengage the 4 claws and remove the fog light cover LH.

19. REMOVE FOG LIGHT COVER RH

HINT:

Use the same procedure for the RH side and LH side.

20. REMOVE FRONT BUMPER HOLE COVER LH



(a) Disengage the 2 claws.

Text in Illustration

*1	Hook
----	------

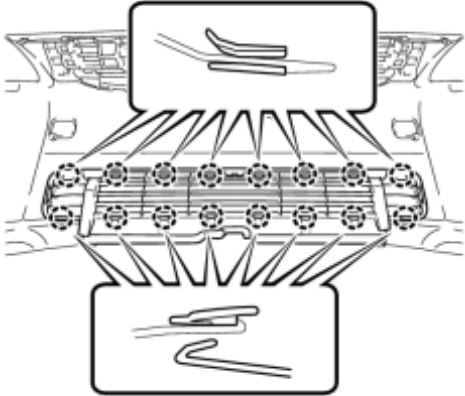
(b) Disengage the hook and remove the front bumper hole cover LH.

21. REMOVE FRONT BUMPER HOLE COVER RH

HINT:

Use the same procedure for the RH side and LH side.

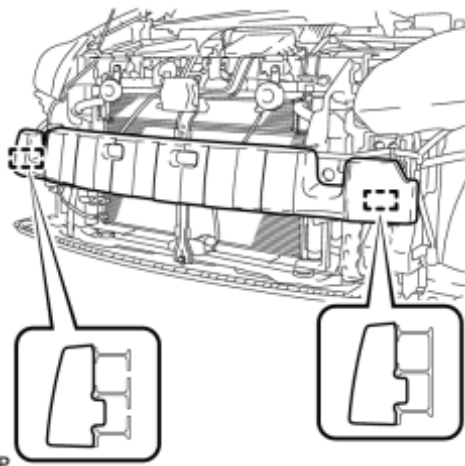
22. REMOVE NO. 1 LOWER RADIATOR GRILLE



(a) Disengage the 16 claws and remove the No. 1 lower radiator grille.

P

23. REMOVE FRONT BUMPER ENERGY ABSORBER

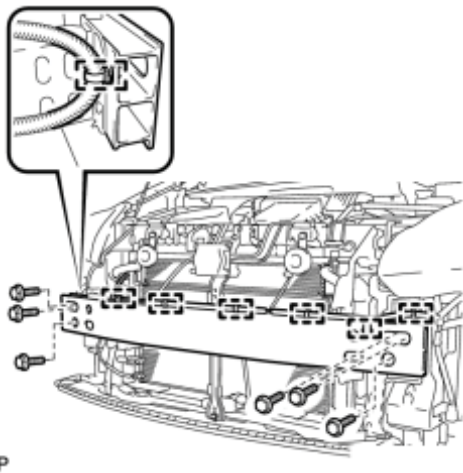


(a) Disengage the 2 guides and remove the front bumper energy absorber.

P

24. REMOVE FRONT BUMPER REINFORCEMENT SUB-ASSEMBLY

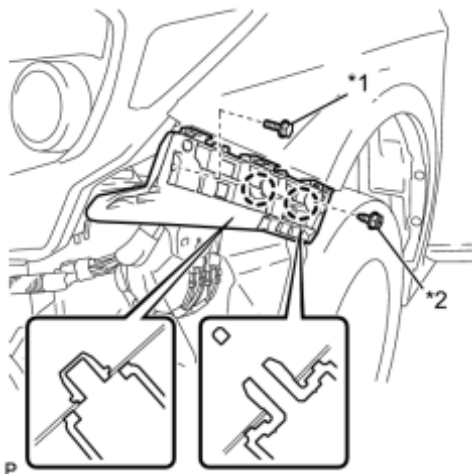
(a) Disengage the 7 clamps.



P

(b) Remove the 6 bolts and front bumper reinforcement sub-assembly.

25. REMOVE FRONT BUMPER SIDE SUPPORT LH



P

(a) Remove the bolt and screw.

Text in Illustration

*1	Bolt
*2	Screw

(b) Disengage the 2 claws and remove the front bumper side support LH.

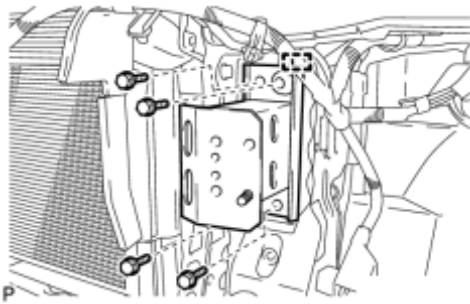
26. REMOVE FRONT BUMPER SIDE SUPPORT RH

HINT:

Use the same procedure for the RH side and LH side.

27. REMOVE FRONT SIDE MEMBER BRACKET SUB-ASSEMBLY LH

(a) Remove the 4 bolts.



(b) Disengage the guide and remove the front side member bracket sub-assembly LH.

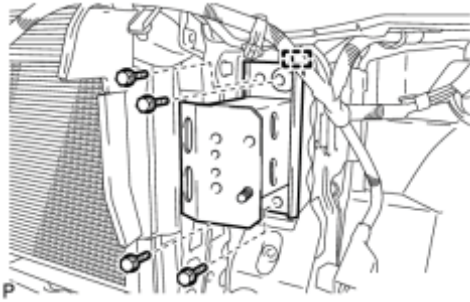
28. REMOVE FRONT SIDE MEMBER BRACKET SUB-ASSEMBLY RH

HINT:

Use the same procedure for the RH side and LH side.

REASSEMBLY

1. INSTALL FRONT SIDE MEMBER BRACKET SUB-ASSEMBLY LH



(a) Engage the guide and install the front side member bracket sub-assembly LH.

(b) Install the 4 bolts.

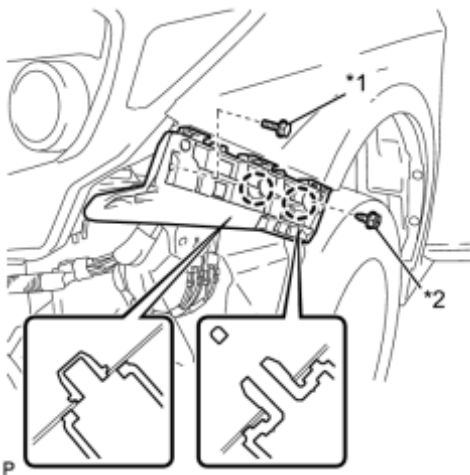
Torque: **50 N·m (510 kgf·cm, 37ft·lbf)**

2. INSTALL FRONT SIDE MEMBER BRACKET SUB-ASSEMBLY RH

HINT:

Use the same procedure for the RH side and LH side.

3. INSTALL FRONT BUMPER SIDE SUPPORT LH



(a) Engage the 2 claws and install the front bumper side support LH.

Text in Illustration

*1	Bolt
*2	Screw

(b) Install the bolt and screw.

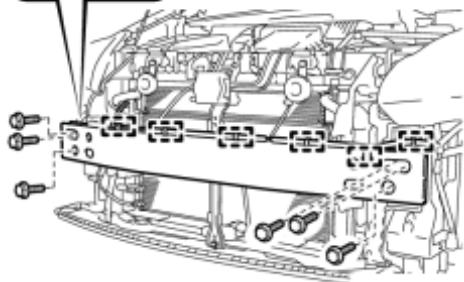
Torque: **5.4 N·m (55 kgf·cm, 48in·lbf)**

4. INSTALL FRONT BUMPER SIDE SUPPORT RH

HINT:

Use the same procedure for the RH side and LH side.

5. INSTALL FRONT BUMPER REINFORCEMENT SUB-ASSEMBLY



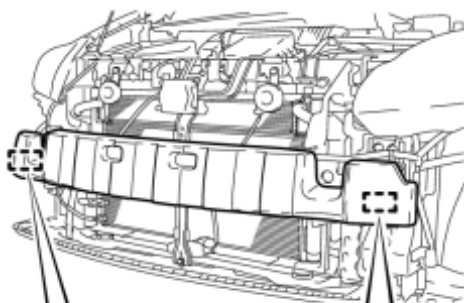
(a) Install the front bumper reinforcement sub-assembly with the 6 bolts.

Torque: **34 N·m (347 kgf·cm, 25ft·lbf)**

P

(b) Engage the 7 clamps.

6. INSTALL FRONT BUMPER ENERGY ABSORBER



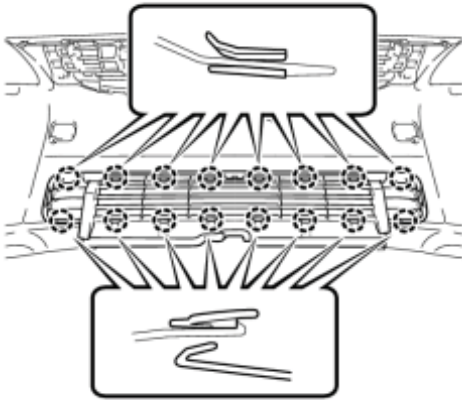
(a) Engage the 2 guides to install the front bumper energy absorber.



P

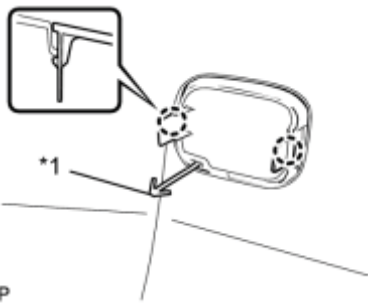
7. INSTALL NO. 1 LOWER RADIATOR GRILLE

(a) Engage the 16 claws to install the No. 1 lower radiator grille.



P

8. INSTALL FRONT BUMPER HOLE COVER LH



P

(a) Engage the hook.

Text in Illustration

*1	Hook
----	------

(b) Engage the 2 claws and install the front bumper hole cover LH.

9. INSTALL FRONT BUMPER HOLE COVER RH

HINT:

Use the same procedure for the RH side and LH side.

10. INSTALL FRONT TURN SIGNAL LIGHT ASSEMBLY LH_ INFO

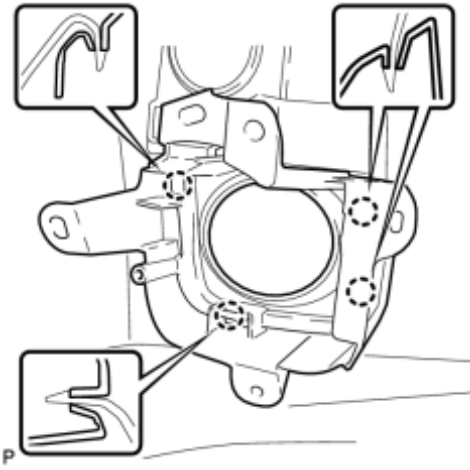
11. INSTALL FRONT TURN SIGNAL LIGHT ASSEMBLY RH

HINT:

Use the same procedure for the RH side and LH side.

12. INSTALL FOG LIGHT COVER LH

(a) Engage the 4 claws and install the fog light cover LH.



13. INSTALL FOG LIGHT COVER RH

HINT:

Use the same procedure for the RH side and LH side.

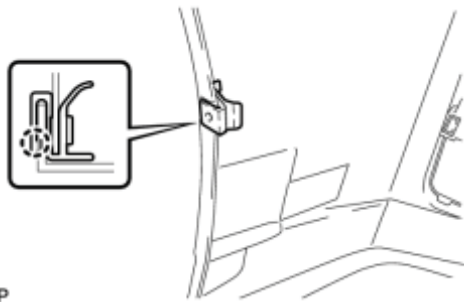
14. INSTALL FOG LIGHT ASSEMBLY LH (w/ Fog Light) INFO

15. INSTALL FOG LIGHT ASSEMBLY RH (w/ Fog Light)

HINT:

Use the same procedure for the RH side and LH side.

16. INSTALL FRONT FENDER LINER RETAINER



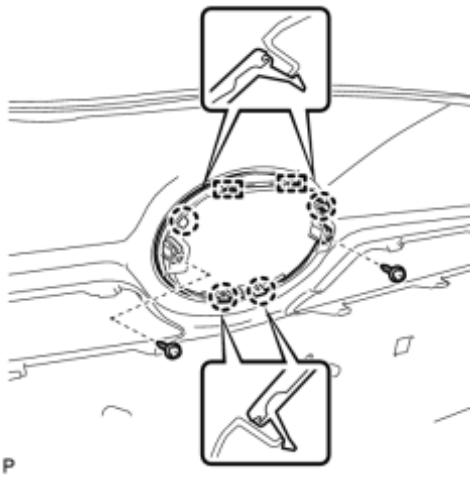
(a) Engage the claw and install the front fender liner retainer.

HINT:

Use the same procedure for the RH side and LH side.

17. INSTALL RADIATOR GRILLE EMBLEM ASSEMBLY

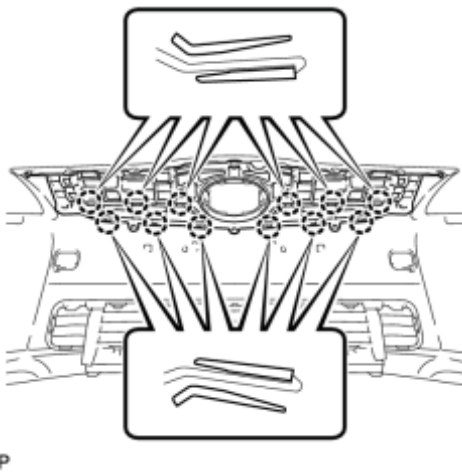
(a) Engage the 2 pins and 4 claws, and install the radiator grille emblem assembly.



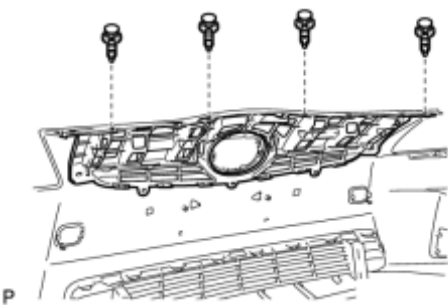
(b) Install the 2 screws.

Torque: **3.0 N·m (31 kgf·cm, 27in·lbf)**

18. INSTALL RADIATOR GRILLE



(a) Engage the 12 claws and install the radiator grille.

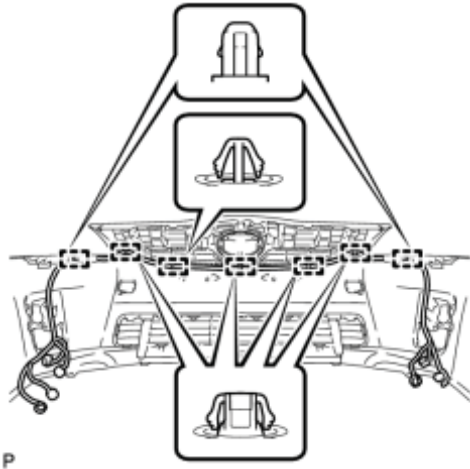


(b) Install the 4 clips.

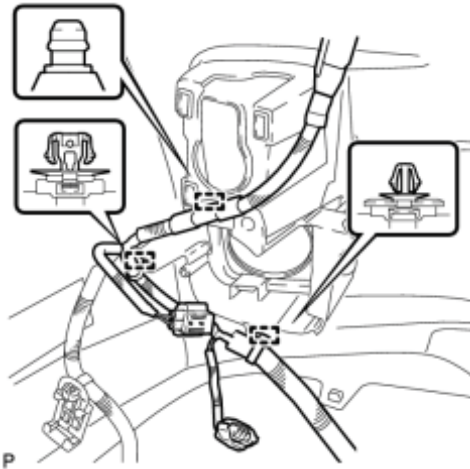
19. INSTALL NO. 1 ULTRASONIC SENSOR RETAINER (w/ Advanced Parking Guidance System) INFO

20. INSTALL NO. 1 ULTRASONIC SENSOR (w/ Advanced Parking Guidance System) INFO

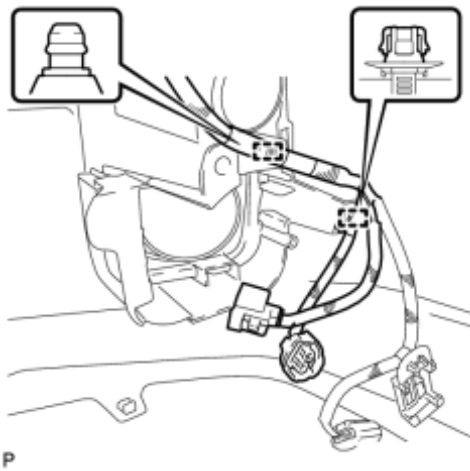
21. INSTALL ENGINE ROOM NO. 3 WIRE



(a) Engage the 7 clamps.

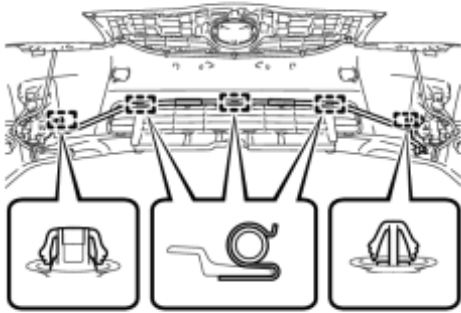


(b) Engage the 3 clamps.



(c) Engage the 2 clamps and install the engine room No. 3 wire.

22. INSTALL HEADLIGHT CLEANER HOSE (w/ Headlight Cleaner System)



(a) Engage the 5 clamps and install the headlight cleaner hose.

P

23. INSTALL HEADLIGHT WASHER ACTUATOR SUB-ASSEMBLY LH (w/ Headlight Cleaner System)

INFO

24. INSTALL HEADLIGHT WASHER ACTUATOR SUB-ASSEMBLY RH (w/ Headlight Cleaner System)

HINT:

Use the same procedure for the RH side and LH side.

25. INSTALL HEADLIGHT CLEANER WASHER NOZZLE LH (w/ Headlight Cleaner System)

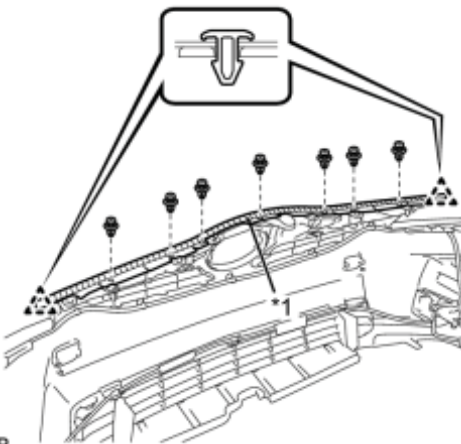
INFO

26. INSTALL HEADLIGHT CLEANER WASHER NOZZLE RH (w/ Headlight Cleaner System)

HINT:

Use the same procedure for the RH side and LH side.

27. INSTALL HOOD TO FRONT END PANEL SEAL



(a) Engage the 2 clips and install the new hood to front end panel seal.

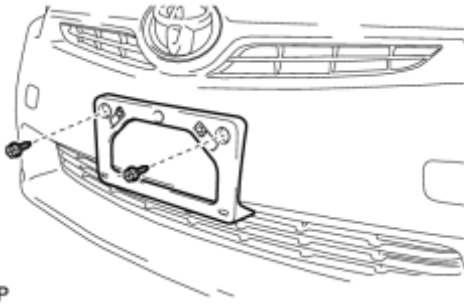
Text in Illustration

*1	Double-sided Tape
----	-------------------

P

(b) Install the 7 clips.

28. INSTALL FRONT BUMPER EXTENSION MOUNTING BRACKET



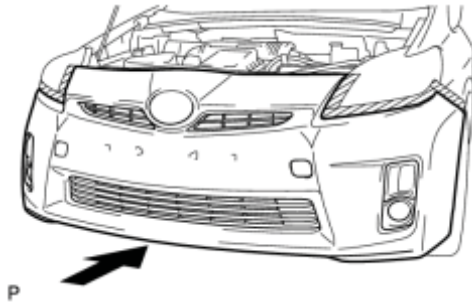
(a) Install the front bumper extension mounting bracket with the 2 screws.

INSTALLATION

1. INSTALL FRONT BUMPER ASSEMBLY

(a) Connect the headlight cleaner hose. (w/ Headlight Cleaner System)

(b) Connect each connector.



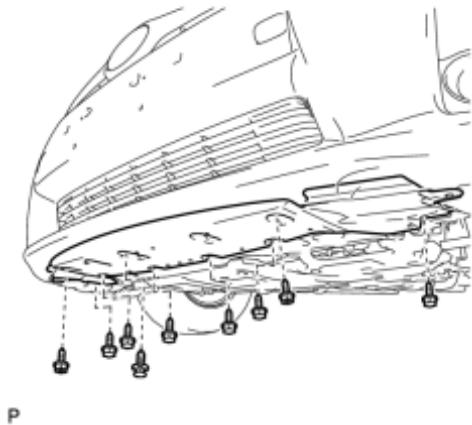
(c) Install the front bumper assembly as shown in the illustration.



(d) Engage the 3 claws to install the front bumper assembly.

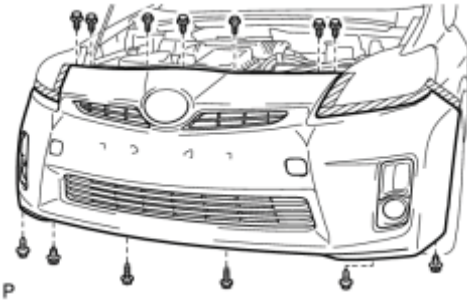
HINT:

Use the same procedure for the RH side and LH side.



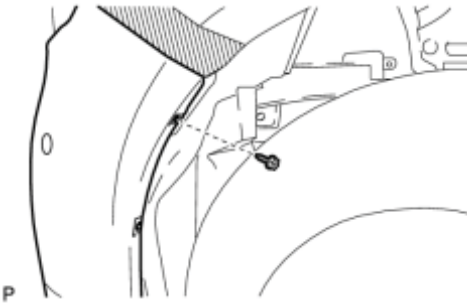
(e) Install the front spoiler cover with the 6 bolts and 2 screws. (w/ Front Spoiler)

(f) Install the clip. (w/ Front Spoiler)



(g) Install the 7 clips.

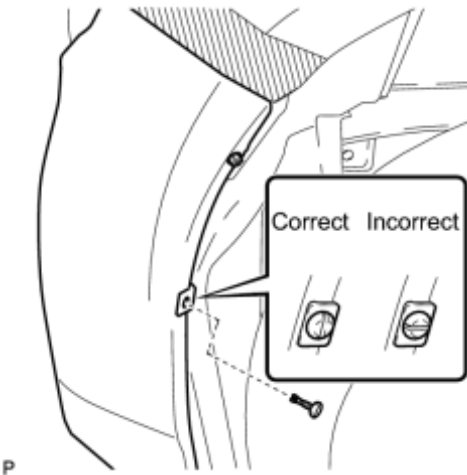
(h) Install the 2 bolts and 4 screws.



(i) Install the screw.

HINT:

Use the same procedure for the RH side and LH side.



(j) Install the pin hold clip.

NOTICE:

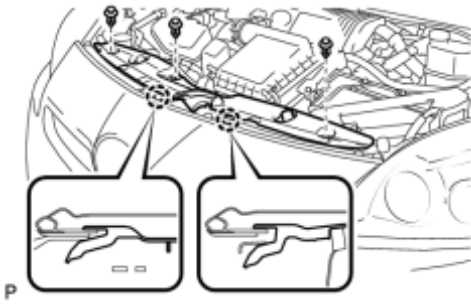
Insert the pin hold clip with the slot aligned vertically. Do not rotate the clip after inserting it. After installation, confirm that the slot is vertical.

HINT:

Use the same procedure for the RH side and LH side.

2. INSTALL RADIATOR SUPPORT OPENING COVER

(a) Engage the 2 claws and install the radiator support opening cover.



(b) Install the 3 clips.

3. ADD WASHER FLUID (w/ Headlight Cleaner System) [INFO](#)

4. PREPARE VEHICLE FOR FOG LIGHT AIM ADJUSTMENT (w/ Fog Light) [INFO](#)

5. PREPARE FOR FOG LIGHT AIMING (w/ Fog Light) [INFO](#)

6. INSPECT FOG LIGHT AIMING (w/ Fog Light) [INFO](#)

7. ADJUST FOG LIGHT AIMING (w/ Fog Light) [INFO](#)