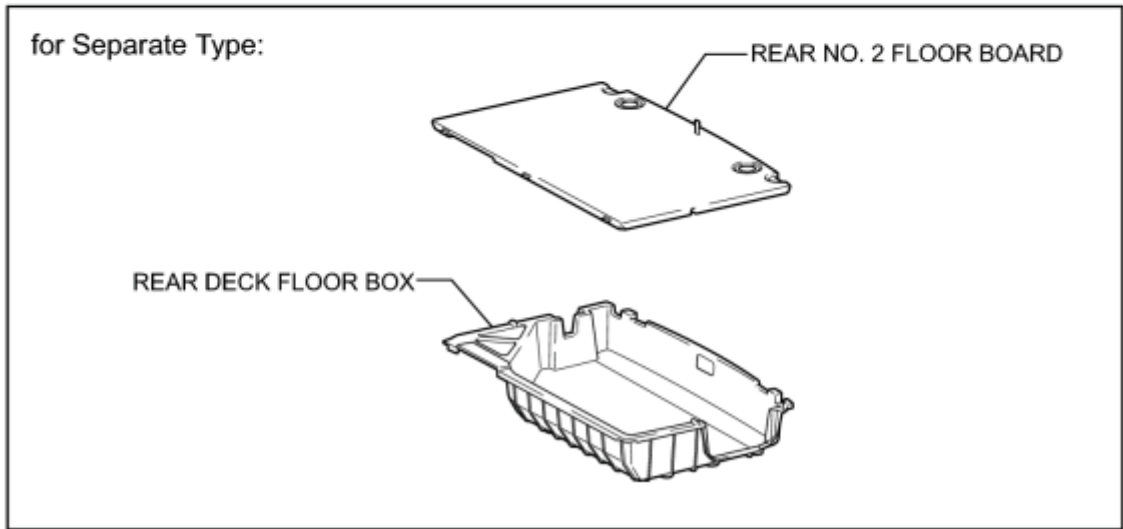
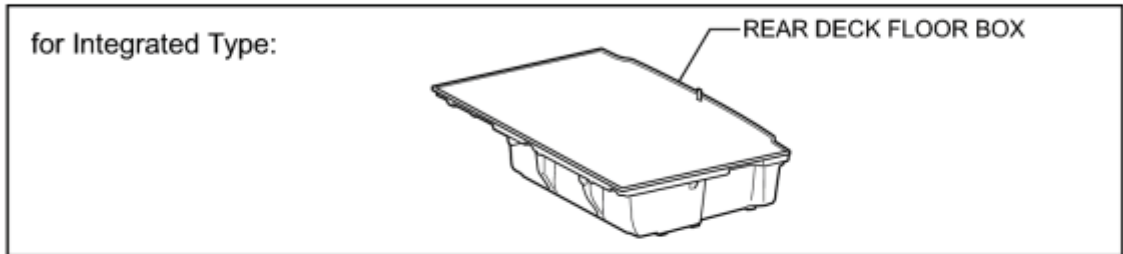
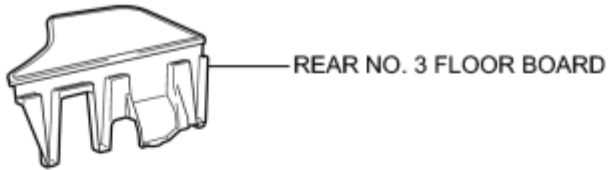


COMPONENTS

ILLUSTRATION



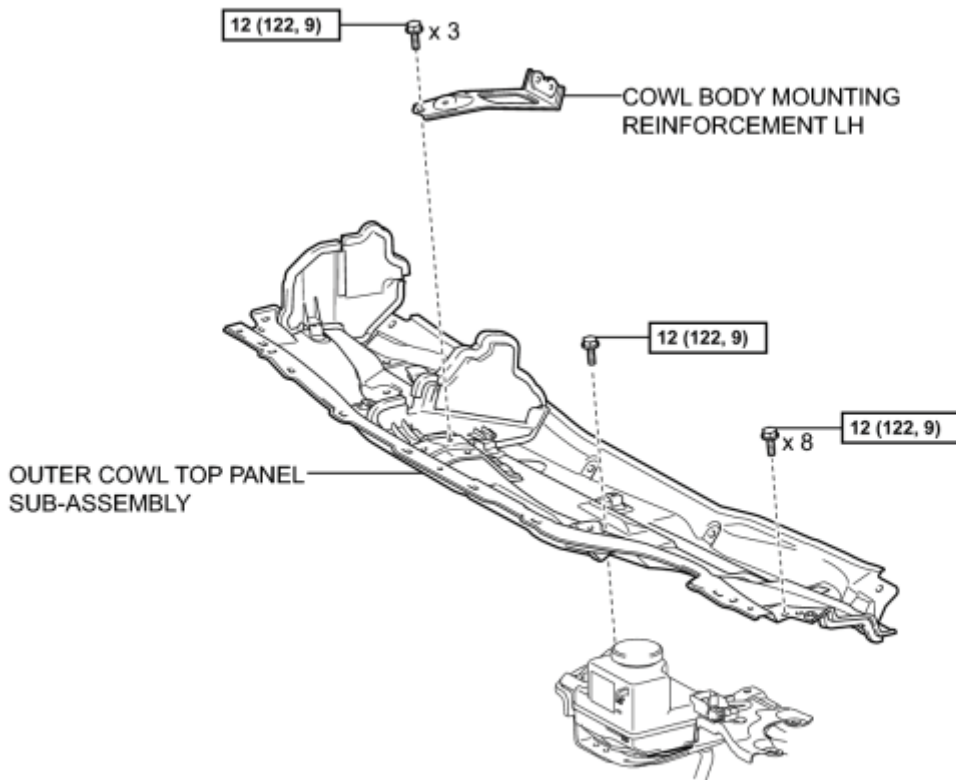
P

ILLUSTRATION



C

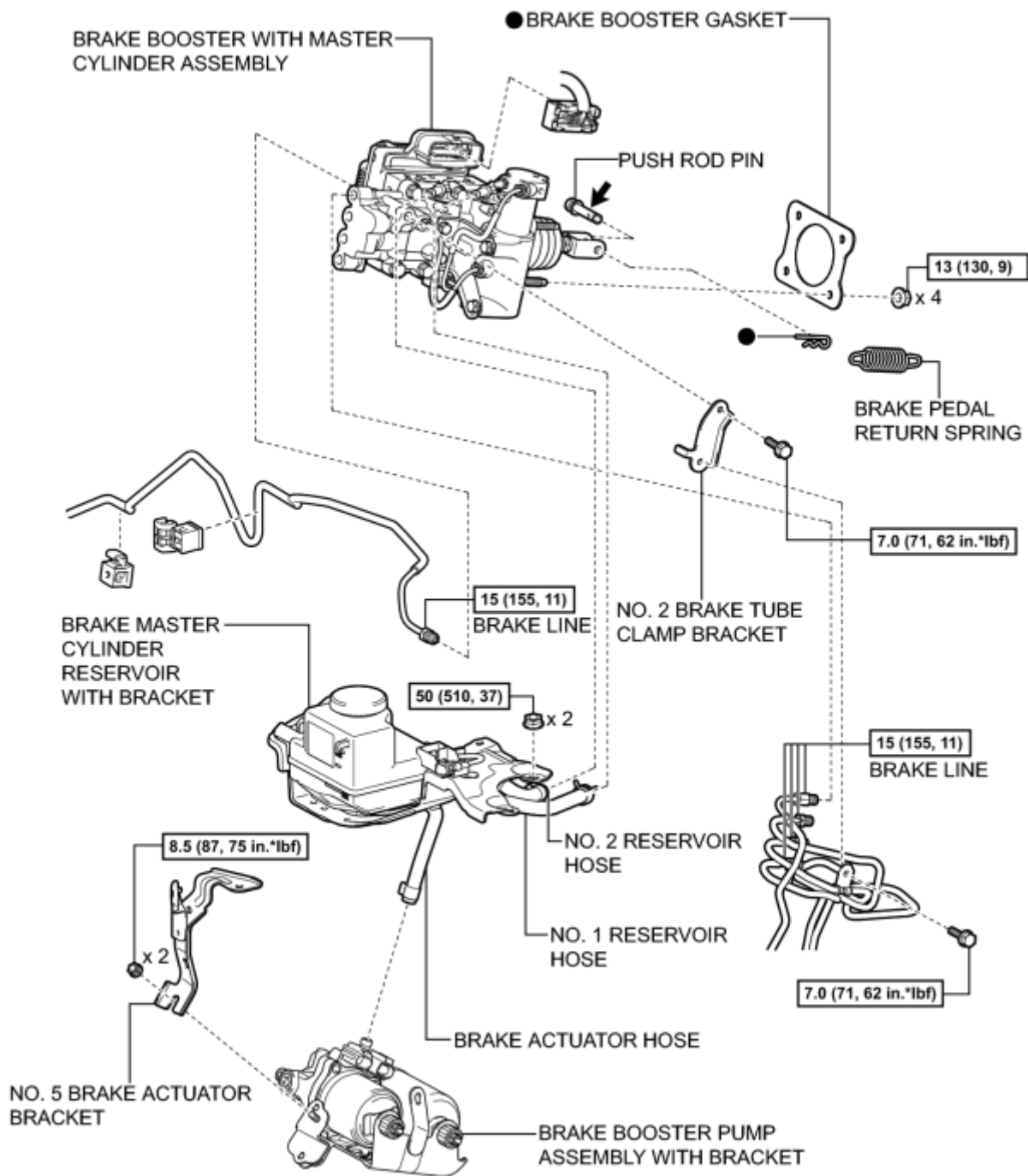
ILLUSTRATION



N*m (kgf*cm, ft.*lbf) : Specified torque

P

ILLUSTRATION



N*m (kgf*cm, ft.*lbf) : Specified torque

● Non-reusable part

← Lithium soap base glycol grease

c

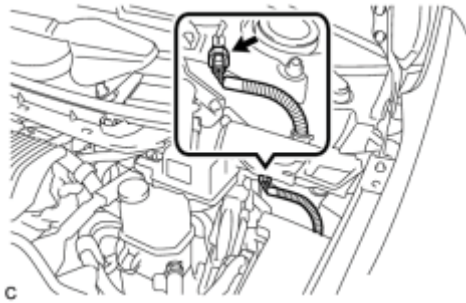
REMOVAL

1. DISABLE BRAKE CONTROL

(a) Wait at least 2 minutes after the power switch off.

NOTICE:

When the brake pedal is depressed or the door courtesy switch is turned on even if the power switch is off, the brake control system activates. Therefore do not depress the brake pedal or open/close the doors until the reservoir level switch connector is disconnected.



(b) Disconnect the reservoir level switch connector.

(c) Connect the Techstream to the DLC3 and turn the power switch on (IG).

(d) Turn the Techstream on and enter the following menu: Chassis / ABS/VSC/TRC / Active Test.

(e) Select "ECB (Electronically Controlled Brake system) Control Invalid".

(f) Depress the brake pedal 40 times or more to return the all fluid in the accumulator back to the reservoir.

NOTICE:

A drop in accumulator pressure may cause a buzzer to sound. This is not a malfunction, therefore continue with the operation.


(g) Check that the brake pedal can not be further depressed.

(h) Select "NEXT" to finish "ECB (Electronically Controlled Brake system) Invalid".

(i) Turn the power switch off and turn the Techstream off.

2. REMOVE REAR NO. 2 FLOOR BOARD (for Separate Type) 

3. REMOVE REAR DECK FLOOR BOX 

4. REMOVE REAR NO. 3 FLOOR BOARD 

5. DISCONNECT CABLE FROM NEGATIVE BATTERY TERMINAL

NOTICE:

When disconnecting the cable, some systems need to be initialized after the cable is reconnected INFO.

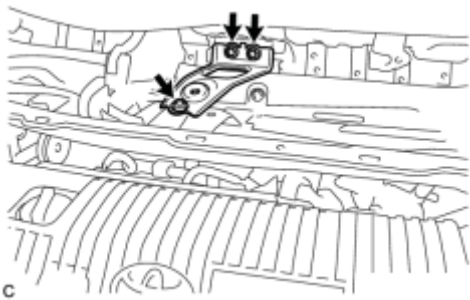
6. REMOVE NO. 1 INSTRUMENT PANEL UNDER COVER SUB-ASSEMBLY INFO

7. REMOVE WINDSHIELD WIPER MOTOR AND LINK ASSEMBLY

HINT:

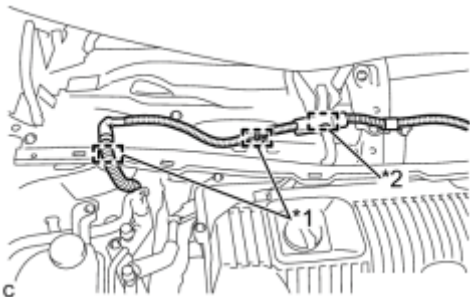
Refer to the procedure up to Remove Windshield Wiper Motor And Link Assembly INFO.

8. REMOVE COWL BODY MOUNTING REINFORCEMENT LH



(a) Remove the 3 bolts and cowl body mounting reinforcement LH.

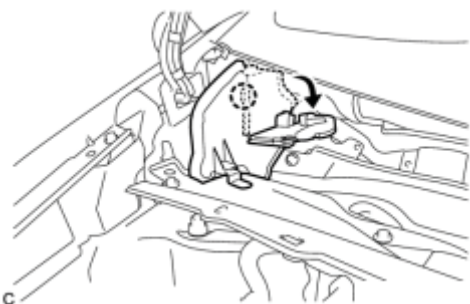
9. REMOVE OUTER COWL TOP PANEL SUB-ASSEMBLY



(a) Disengage the 2 clamps and guide of the wire harness.

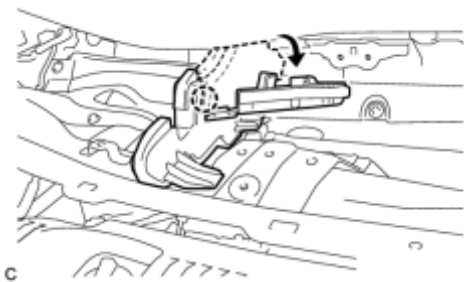
Text in Illustration

*1	Clamp
*2	Guide

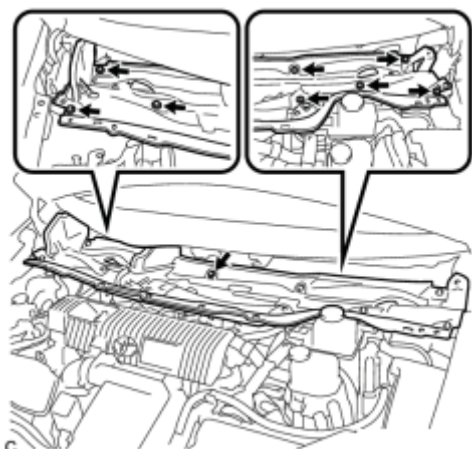


(b) Disengage the claw and bend the No. 1 heater air duct splash shield seal.

(c) Disengage the claw and bend the water guard plate RH.



c



c

(d) Remove the 9 bolts and outer cowl top panel sub-assembly.

10. DRAIN BRAKE FLUID

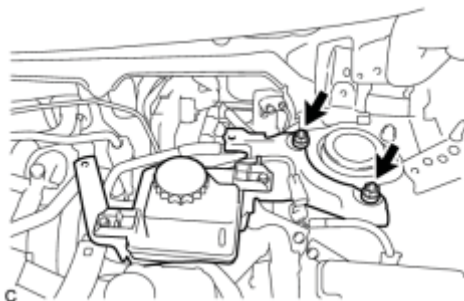
NOTICE:

If brake fluid leaks onto any painted surface, immediately wash it off.

11. REMOVE BRAKE PEDAL RETURN SPRING_ INFO

12. REMOVE PUSH ROD PIN_ INFO

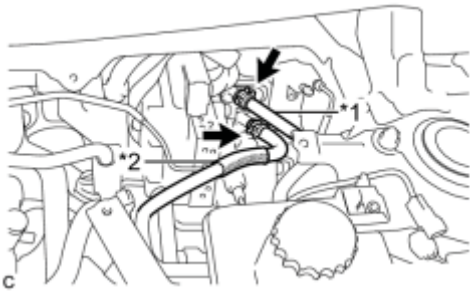
13. SEPARATE BRAKE MASTER CYLINDER RESERVOIR WITH BRACKET



c

(a) Remove the 2 nuts and separate the brake master cylinder reservoir with bracket.

14. DISCONNECT NO. 1 RESERVOIR HOSE



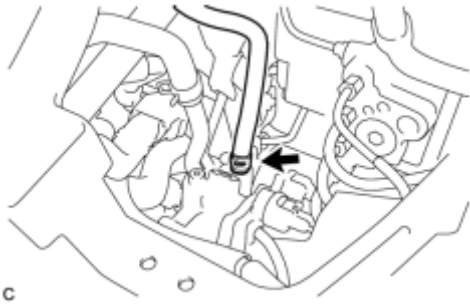
(a) Move the 2 clips and disconnect the No. 1 reservoir hose and No. 2 reservoir hose from the brake booster with master cylinder assembly.

Text in Illustration

*1	No. 1 Reservoir Hose
*2	No. 2 Reservoir Hose

15. DISCONNECT NO. 2 RESERVOIR HOSE

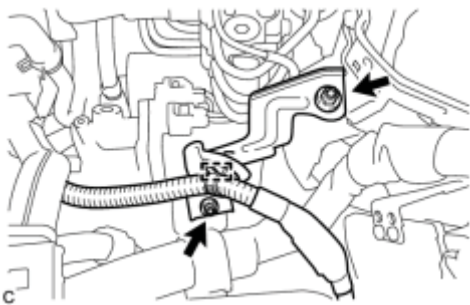
16. DISCONNECT BRAKE ACTUATOR HOSE



(a) Move the clip and disconnect the brake actuator hose from the brake booster pump assembly.

17. REMOVE BRAKE MASTER CYLINDER RESERVOIR WITH BRACKET

18. REMOVE NO. 5 BRAKE ACTUATOR BRACKET



(a) Disengage the clamp.

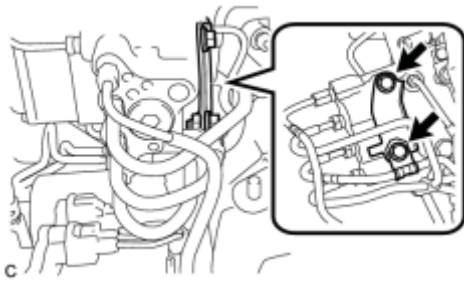
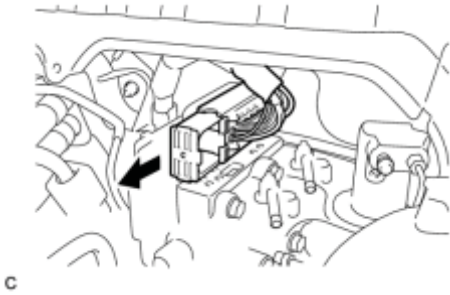
(b) Remove the 2 nuts and No. 5 brake actuator bracket.

19. REMOVE BRAKE BOOSTER WITH MASTER CYLINDER ASSEMBLY

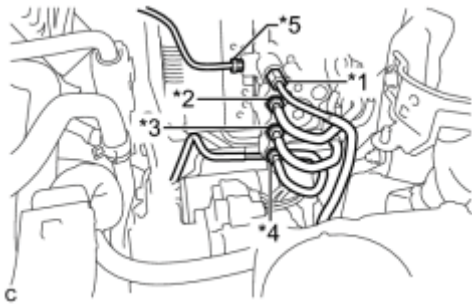
(a) Release the lock lever and disconnect the connector.

NOTICE:

Be careful not to allow the brake fluid to enter the removed connector.



(b) Remove the 2 bolts and No. 2 brake tube clamp bracket from the brake booster with master cylinder assembly.



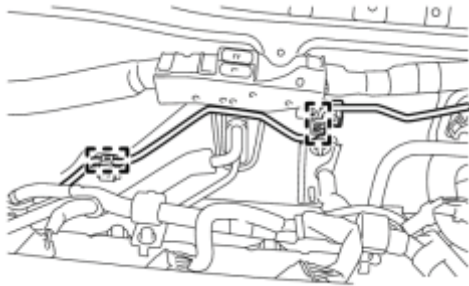
(c) Using a union nut wrench, disconnect the 5 brake lines from the brake booster with master cylinder assembly.

(d) Use tags or make a memo to identify the places to reconnect.

Text in Illustration

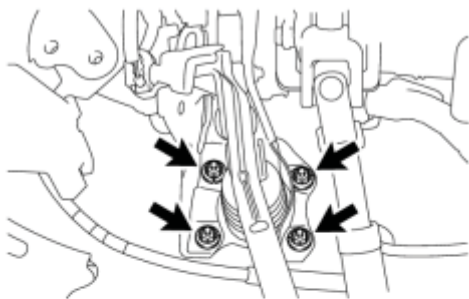
*1	to Front Wheel Cylinder LH
*2	to Rear Wheel Cylinder RH
*3	to Brake Booster Pump Assembly
*4	to Rear Wheel Cylinder LH
*5	to Front Wheel Cylinder RH

(e) Disengage the 2 clamps and separate the brake line.



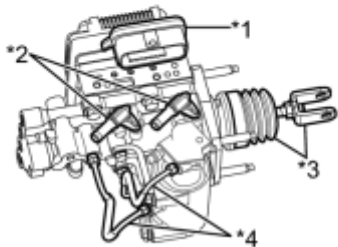
c

(f) Remove the 4 nuts and brake booster with master cylinder assembly.



Text in Illustration

*1	Connector Portion
*2	Union
*3	Push Rod Clevis and Boot
*4	Front No. 2 Brake Tube



c

- Do not kink or damage the brake lines.
- Do not carry the brake booster with master cylinder assembly by the portion shown in the illustration.

20. REMOVE BRAKE BOOSTER GASKET

INSTALLATION

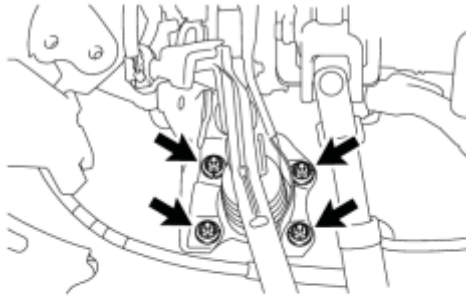
1. INSTALL BRAKE BOOSTER GASKET

(a) Install a new brake booster gasket to the brake booster with master cylinder assembly.

2. INSTALL BRAKE BOOSTER WITH MASTER CYLINDER ASSEMBLY

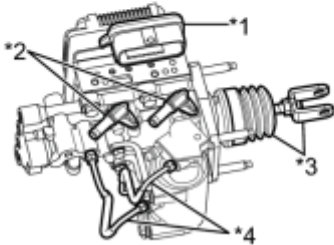
(a) Install the brake booster with master cylinder assembly with the 4 nuts.

Text in Illustration



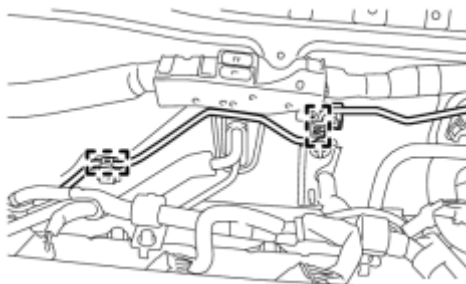
*1	Connector Portion
*2	Union
*3	Push Rod Clevis and Boot
*4	Front No. 2 Brake Tube

Torque: **13 N·m (130 kgf·cm, 9ft·lbf)**



c

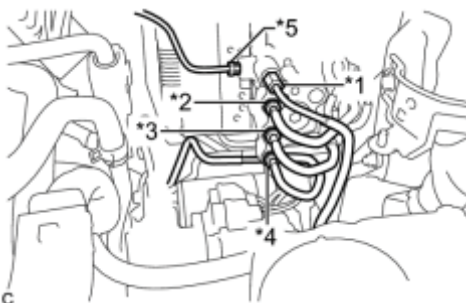
- Do not kink or damage the brake lines.
- Do not carry the brake booster with master cylinder assembly by the portion shown in the illustration.
- Be careful not to allow brake fluid to enter the connector of ECU.
- If installing a new brake booster with master cylinder assembly, do not remove the hole plugs before connecting the brake lines because the brake booster with master cylinder is filled with brake fluid.



c

(b) Engage the 2 clamps to install the brake line.

(c) Temporarily tighten each brake line to the correct position on the brake booster with master cylinder assembly as shown in the illustration.



c

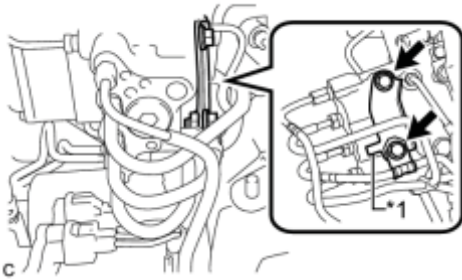
Text in Illustration

*1	to Front Wheel Cylinder LH
*2	to Rear Wheel Cylinder RH
*3	to Brake Booster Pump Assembly

*4	to Rear Wheel Cylinder LH
*5	to Front Wheel Cylinder RH

(d) Install the No. 2 brake tube clamp bracket to the brake booster with master cylinder assembly with the 2 bolts.

Text in Illustration



*1	Stopper
----	---------

Torque: **7.0 N·m (71 kgf·cm, 62in·lbf)**

NOTICE:

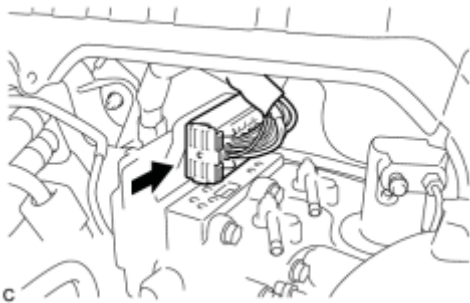
Securely install the No. 2 brake tube clamp bracket so that its stopper contacts the brake booster with master cylinder assembly as shown in the illustration.

(e) Using a union nut wrench, fully tighten each brake line.

Torque: **15 N·m (155 kgf·cm, 11ft·lbf)**

NOTICE:

- Do not kink or damage the brake lines.
- Use the formula to calculate special torque values for situations where the union nut wrench is combined with a torque wrench INFO.



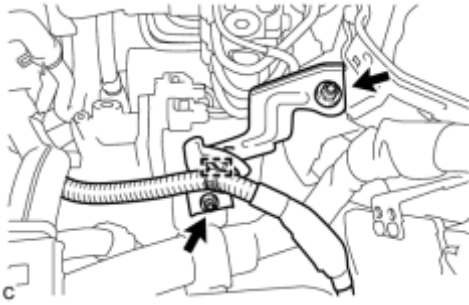
(f) Connect the connector.

- Make sure that the connector can be connected smoothly. Do not allow water, oil or dirt to enter.
- Make sure that the connector lock is locked securely.

3. INSTALL NO. 5 BRAKE ACTUATOR BRACKET

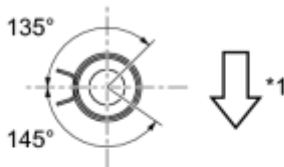
(a) Install the No. 5 brake actuator bracket with the 2 nuts.

Torque: **8.5 N·m (87 kgf·cm, 75in·lbf)**



(b) Engage the clamp.

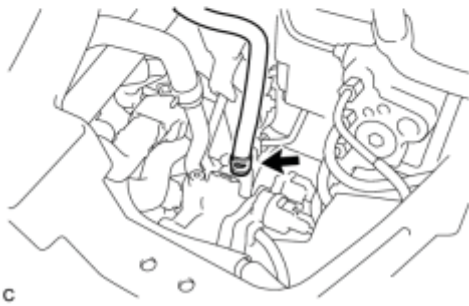
4. CONNECT BRAKE ACTUATOR HOSE



(a) Connect the brake actuator hose to the brake booster pump assembly with the clip.

Text in Illustration

*1	Front of Vehicle
----	------------------



- Make sure to match the identification mark (yellowish green) on the hose with the brake booster pump rib.
- Make sure to install the hose to the proper location.
- Install the clip within the range shown in the illustration.

5. CONNECT NO. 1 RESERVOIR HOSE

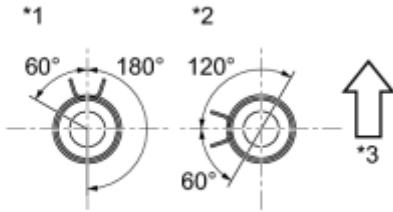
(a) Connect the No. 1 reservoir hose and No. 2 reservoir hose to the brake booster with master cylinder assembly with the 2 clips.

Text in Illustration

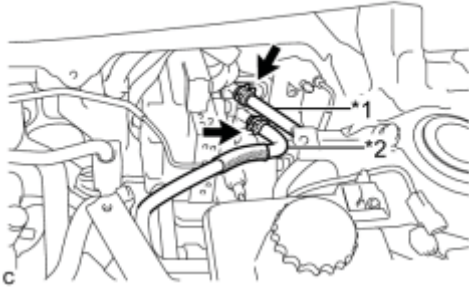
*1	No. 1 Reservoir Hose
*2	No. 2 Reservoir Hose
*3	Top of Vehicle

- Make sure to match the identification marks on the hoses and brake booster with master cylinder assembly.

	Hose Identification	Brake Booster with Mas
--	----------------------------	-------------------------------



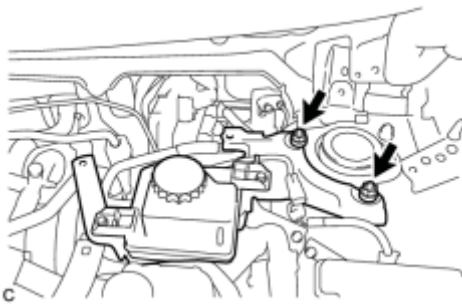
	Mark Color	Cylinder Assembly Identification Mark Color
No. 1 Reservoir Hose	White	White (Unpainted Color)
No. 2 Reservoir Hose	Green	Green



- When connecting the reservoir hose, face the identification mark to the top of the vehicle.
- Make sure to install the hose to the proper location.
- Install the clip within the range shown in the illustration.

6. CONNECT NO. 2 RESERVOIR HOSE

7. INSTALL BRAKE MASTER CYLINDER RESERVOIR WITH BRACKET



(a) Install the brake master cylinder reservoir with bracket with the 2 nuts.

Torque: **50 N·m (510 kgf·cm, 37ft·lbf)**

8. INSTALL PUSH ROD PIN INFO

9. INSTALL BRAKE PEDAL RETURN SPRING INFO

10. CONNECT CABLE TO NEGATIVE BATTERY TERMINAL

NOTICE:

When disconnecting the cable, some systems need to be initialized after the cable is reconnected INFO.

11. BLEED BRAKE SYSTEM INFO

12. INSPECT AND ADJUST BRAKE PEDAL

HINT: INFO

13. OBTAIN ZERO POINT OF YAW RATE AND ACCELERATION SENSOR

HINT:

After the brake booster with master cylinder assembly is replaced, obtain the zero point of the yaw rate and acceleration sensor INFO.

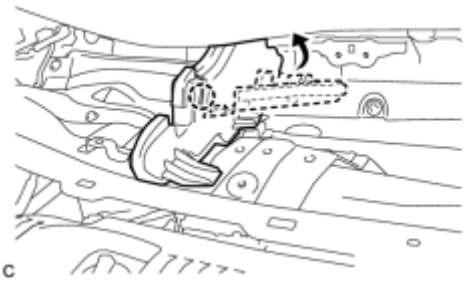
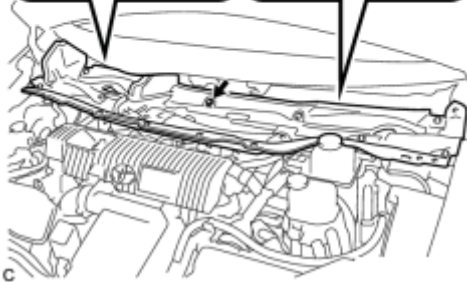
14. INSTALL NO. 1 INSTRUMENT PANEL UNDER COVER SUB-ASSEMBLY INFO

15. INSTALL OUTER COWL TOP PANEL SUB-ASSEMBLY

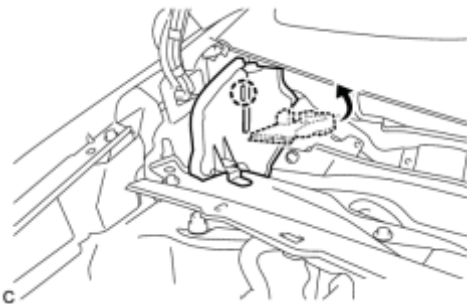


(a) Install the outer cowl top panel sub-assembly with the 9 bolts.

Torque: **12 N·m (122 kgf·cm, 9ft·lbf)**



(b) Bend the water guard plate RH and engage the claw.

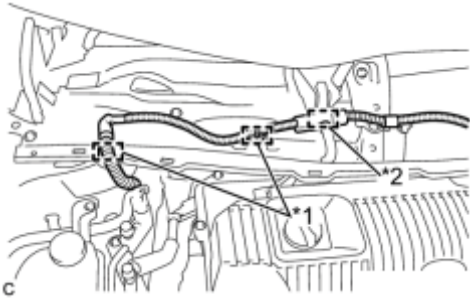


(c) Bend the No. 1 heater air duct splash shield seal and engage the claw.

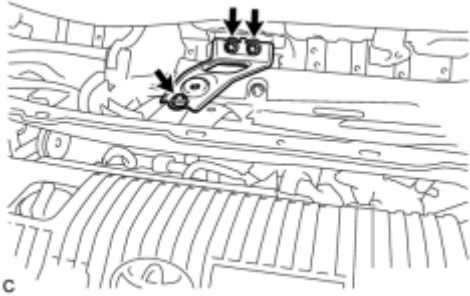
(d) Engage the 2 clamps and guide to install the wire harness.

Text in Illustration

*1	Clamp
*2	Guide



16. INSTALL COWL BODY MOUNTING REINFORCEMENT LH



(a) Install the cowl body mounting reinforcement LH with the 3 bolts.

Torque: **12 N·m (122 kgf·cm, 9ft·lbf)**

17. INSTALL WINDSHIELD WIPER MOTOR AND LINK ASSEMBLY

HINT:

Refer to the procedure from Install Windshield Wiper Motor And Link Assembly [INFO](#).

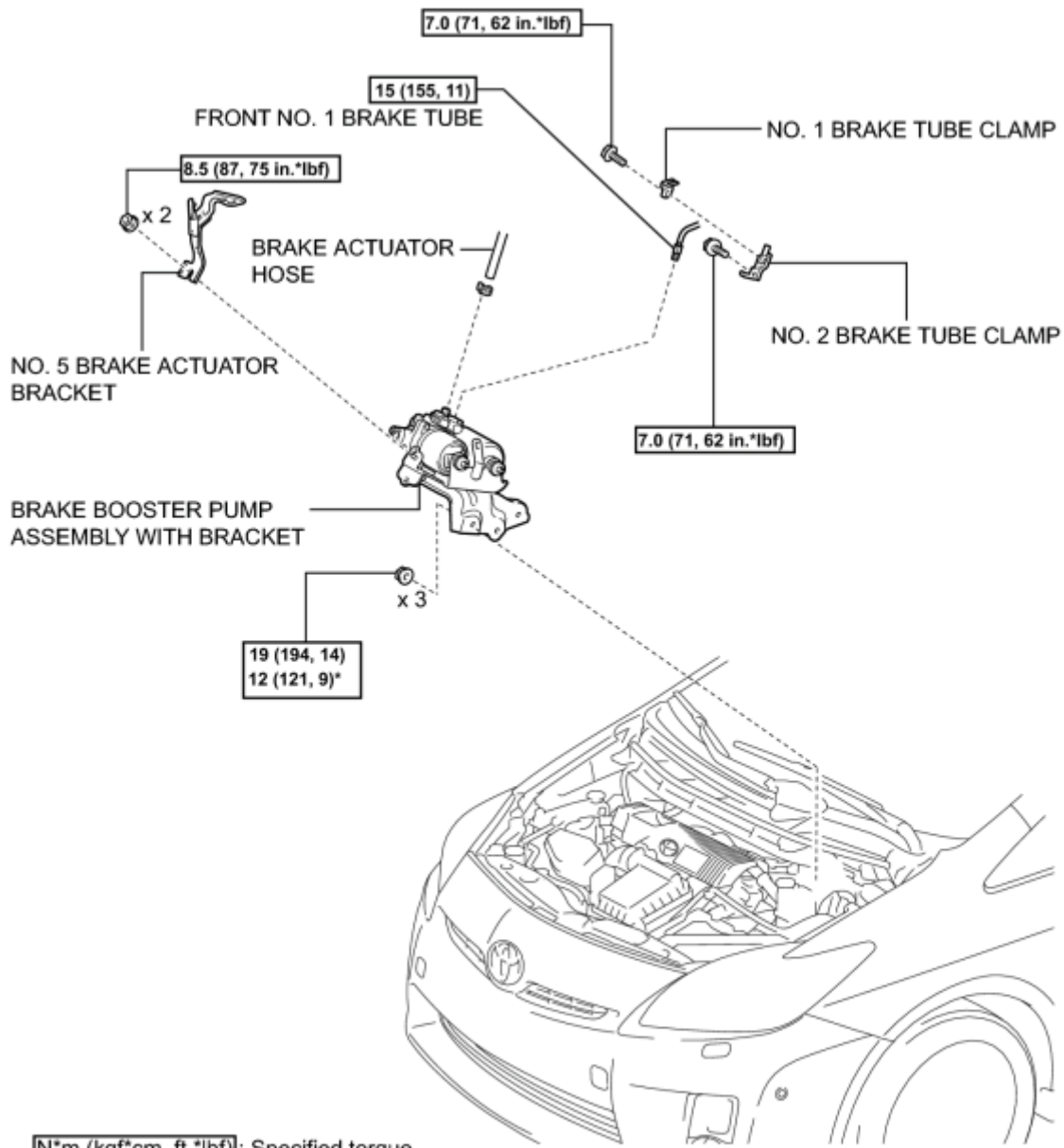
18. INSTALL REAR NO. 3 FLOOR BOARD [INFO](#)

19. INSTALL REAR DECK FLOOR BOX [INFO](#)

20. INSTALL REAR NO. 2 FLOOR BOARD (for Separate Type) [INFO](#)

COMPONENTS

ILLUSTRATION

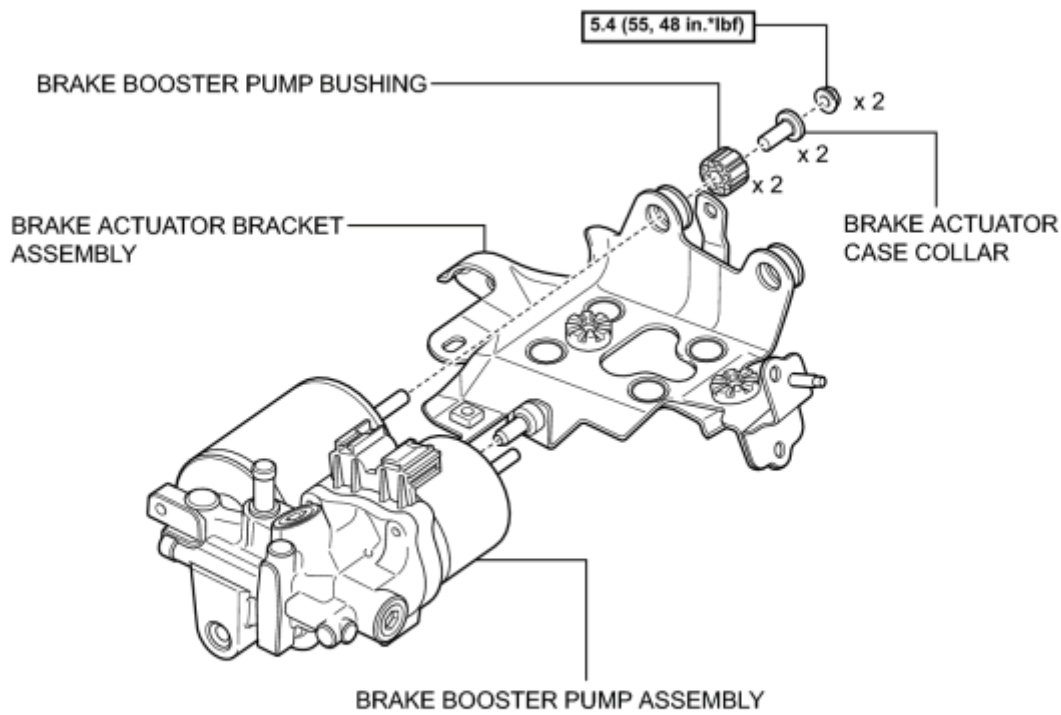


N*m (kgf*cm, ft.*lbf): Specified torque

* For use with SST

P

ILLUSTRATION



N*m (kgf*cm, ft.*lbf): Specified torque

c

REMOVAL

1. REMOVE BRAKE BOOSTER WITH MASTER CYLINDER ASSEMBLY

HINT:

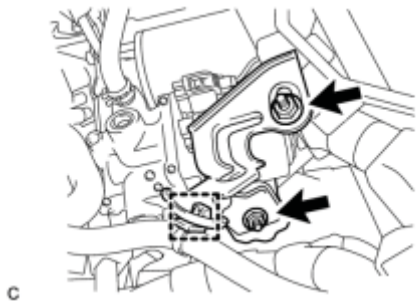
Refer to the procedure up to Remove Brake Booster with Master Cylinder Assembly INFO.

2. REMOVE FRONT CROSS MEMBER SUB-ASSEMBLY

HINT:

Refer to the procedure up to Remove Front Cross Member Sub-assembly INFO.

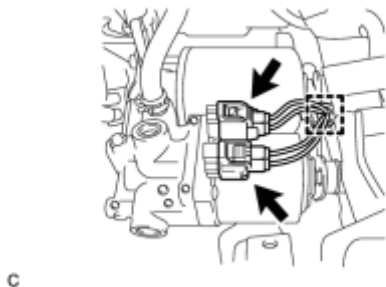
3. REMOVE NO. 5 BRAKE ACTUATOR BRACKET



(a) Remove the 2 nuts and No. 5 brake actuator bracket.

(b) Separate the wire harness clamp.

4. REMOVE BRAKE BOOSTER PUMP ASSEMBLY WITH BRACKET

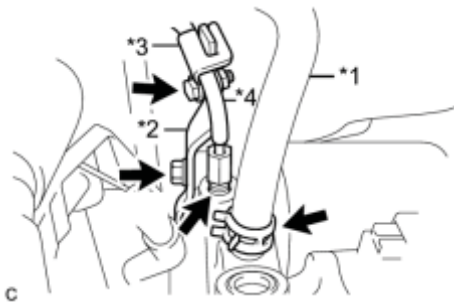


(a) Disconnect the 2 connectors and separate the clamp from the brake booster pump assembly.

(b) Remove the clip and brake actuator hose.

Text in Illustration

*1	Brake Actuator Hose
*2	No. 2 Brake Tube Clamp

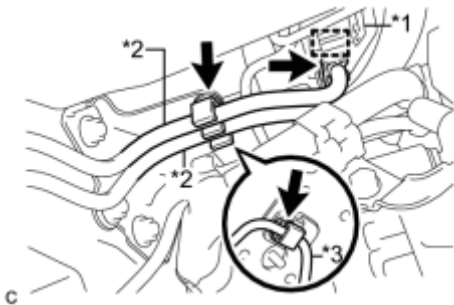


*3	No. 1 Brake Tube Clamp
*4	Front No. 1 Brake Tube

(c) Remove the 2 bolts, No. 1 brake tube clamp and No. 2 brake tube clamp.

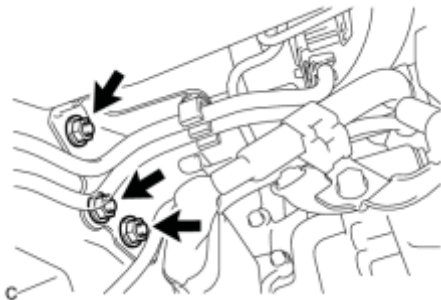
(d) Disconnect the front No. 1 brake tube.

(e) Separate the wire harness clamp, 2 fuel lines and front No. 4 brake tube from the brake booster pump assembly.



Text in Illustration

*1	Wire Harness Clamp
*2	Fuel Line
*3	Front No. 4 Brake Tube



(f) Remove the 3 nuts and brake booster pump assembly with bracket.

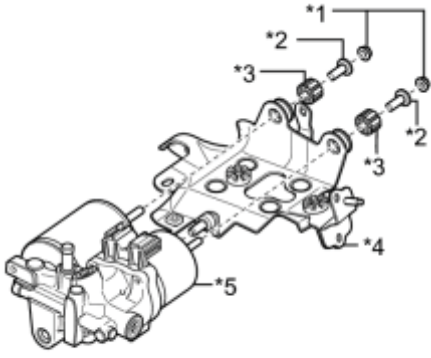
5. REMOVE BRAKE BOOSTER PUMP ASSEMBLY

(a) Remove the 2 nuts, brake booster pump bushings, brake actuator case collars and brake booster pump assembly from the brake actuator bracket assembly.

Text in Illustration

*1	Nut
*2	Brake Actuator Case Collar
*3	Brake Booster Pump Bushing
*4	Brake Actuator Bracket Assembly

*5	Brake Booster Pump Assembly
----	-----------------------------



c

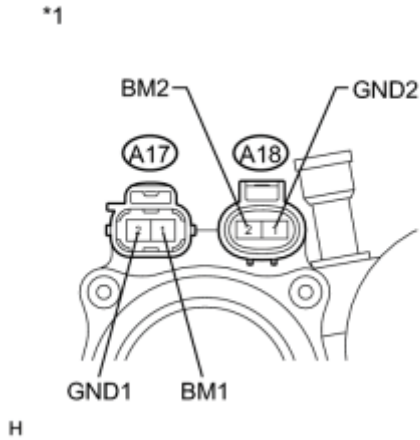
INSPECTION

1. INSPECT BRAKE BOOSTER PUMP ASSEMBLY

(a) Measure the resistance according to the value(s) in the table below.

Standard Resistance:

Tester Connection	Condition	Specified Condition
A17-1 (BM1) - A17-2 (GND1)	Always	Below 10 Ω
A18-2 (BM2) - A18-1 (GND2)	Always	Below 10 Ω
A17-1 (BM1) - A18-2 (BM2)	Always	Below 1 Ω
A17-2 (GND1) - A18-1 (GND2)	Always	Below 1 Ω



Text in Illustration

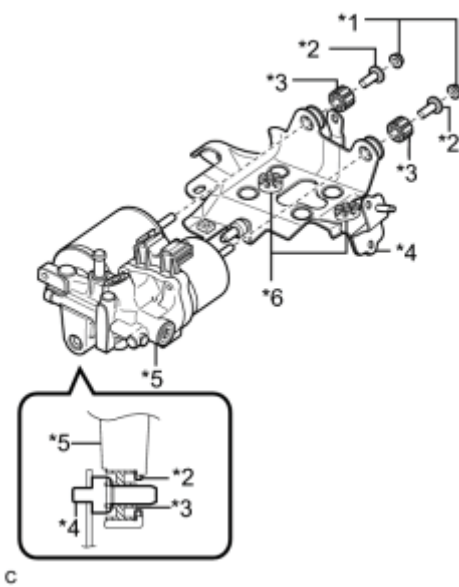
*1	Component without harness connected (Brake Booster Pump)
----	---

INSTALLATION

1. INSTALL BRAKE BOOSTER PUMP ASSEMBLY

(a) Install the brake booster pump assembly, brake booster pump bushings and brake actuator case collars to the brake actuator bracket assembly with the 2 nuts.

Text in Illustration



*1	Nut
*2	Brake Actuator Case Collar
*3	Brake Booster Pump Bushing
*4	Brake Actuator Bracket Assembly
*5	Brake Booster Pump Assembly
*6	Cushion

Torque: **5.4 N·m (55 kgf·cm, 48in·lbf)**

- Do not drop the brake booster pump assembly when carrying it.
- Do not carry the brake booster pump assembly by the connector.
- Confirm that the 2 cushions are on the brake actuator bracket, bushings and collars on the brake booster pump assembly when assembling the brake booster pump assembly.
- Do not remove the hole plug before installing a new brake booster pump assembly because the brake booster pump assembly is filled with brake fluid.

2. INSTALL BRAKE BOOSTER PUMP ASSEMBLY WITH BRACKET

(a) Using SST, install the brake booster pump assembly with bracket with the 3 nuts.

SST: 09961-00950

without SST - Torque: **19 N·m (194 kgf·cm, 14ft·lbf)**

with SST - Torque: **12 N·m (121 kgf·cm, 9ft·lbf)**

- Use a torque wrench with a fulcrum length of 250 mm (9.84 in.).
- Tighten the 3 nuts in the order shown in the illustration.
- Do not damage the fuel line, the brake lines and wire harness.
- Use the formula to calculate special torque values for situations where the SST is combined with a torque wrench INFO.

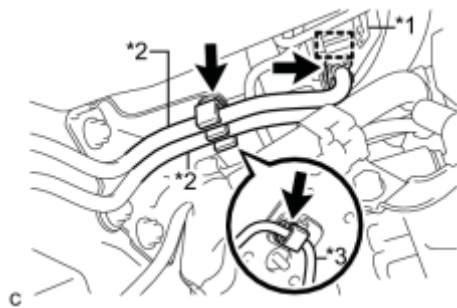


(b) Install the wire harness clamp, 2 fuel lines and front No. 4 brake tube to the brake booster pump assembly.

NOTICE:

Do not damage the fuel line, the brake lines and wire harness.

Text in Illustration



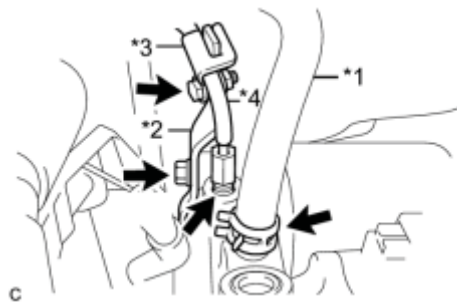
*1	Wire Harness Clamp
*2	Fuel Line
*3	Front No. 4 Brake Tube

(c) Connect the front No. 1 brake tube.

(1) Install the No. 2 brake tube clamp to the brake booster pump assembly with the bolt.

Torque: 7.0 N·m (71 kgf·cm, 62in·lbf)

Text in Illustration



*1	Brake Actuator Hose
*2	No. 2 Brake Tube Clamp
*3	No. 1 Brake Tube Clamp
*4	Front No. 1 Brake Tube

(2) Install the front No. 1 brake tube to the brake booster pump assembly.

Torque: **15 N·m (155 kgf·cm, 11ft·lbf)**

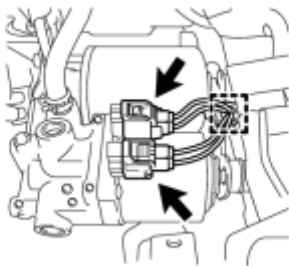
NOTICE:

- This torque value is effective when the union nut wrench is parallel to the torque wrench.
- Use the formula to calculate special torque values for situations where the union nut wrench is combined with a torque wrench **INFO**.

(3) Install the No. 1 brake tube clamp to the brake booster pump assembly with the bolt.

Torque: **7.0 N·m (71 kgf·cm, 62in·lbf)**

(d) Install the brake actuator hose and clip.

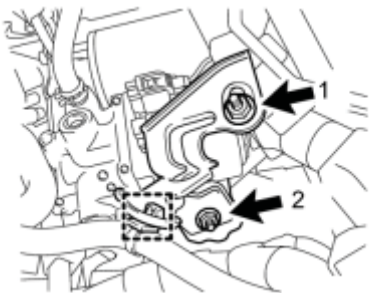


(e) Install the wire harness clamp.

c

(f) Connect the 2 connectors.

3. INSTALL NO. 5 BRAKE ACTUATOR BRACKET



(a) Install the No. 5 brake actuator bracket with the 2 nuts.

Torque: **8.5 N·m (87 kgf·cm, 75in·lbf)**

NOTICE:

Tighten the 2 nuts in the order shown in the illustration.

c

(b) Install the wire harness clamp.

4. INSTALL FRONT CROSS MEMBER SUB-ASSEMBLY

HINT:

Refer to the procedure from Install Front Cross Member Sub-assembly **INFO**.

5. INSTALL BRAKE BOOSTER WITH MASTER CYLINDER ASSEMBLY

HINT:

Refer to the procedure from Install Brake Booster with Master Cylinder Assembly .

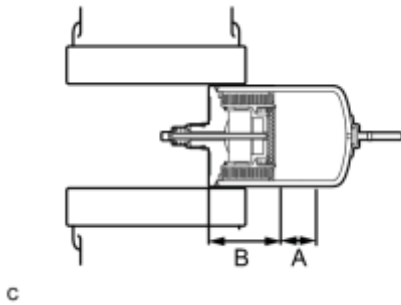
6. INSPECT AND ADJUST FRONT WHEEL ALIGNMENT

(a) Adjust front wheel alignment .

DISPOSAL

1. DISPOSE OF BRAKE BOOSTER PUMP ASSEMBLY

- (a) Remove the accumulator from the brake booster pump assembly.
- (b) Secure the accumulator in a vise.
- (c) Using a hacksaw, make a cut in the side of the accumulator at location [A] to release the high-pressure gas.



Point	Area
A	25 mm (0.984 in.)
B	60 mm (2.362 in.)

CAUTION:

Small pieces of metal may fly out when cutting into the accumulator. Put a cloth over the hacksaw when cutting the accumulator. Cut the accumulator slowly so that the gas will be released gradually.

HINT:

The gas is colorless, odorless and non-poisonous.

ON-VEHICLE INSPECTION

NOTICE:

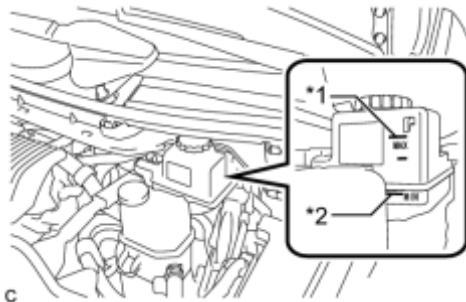
If using a dropper to adjust the fluid amount, make sure that the dropper has not been used with mineral oils, water or deteriorated brake fluid. Sealed areas may deteriorate and lead to fluid leaks, or the fluid may deteriorate and lead to decreased efficiency.

HINT:

If the brake fluid level is lower than the MIN line, inspect for brake fluid leaks and brake pad wear. After repair or replacement, adjust the brake fluid level in the reservoir as specified below.

1. INSPECT AND ADJUST FLUID LEVEL IN RESERVOIR (for Using the Techstream)

- (a) Connect the Techstream to the DLC3 with the power switch off.
- (b) Check that park (P) is selected and the parking brake is applied, and turn the power switch on (IG).
- (c) Turn the Techstream on and enter the following menus: Chassis / ABS/VSC/TRC / Utility / ECB (Electronically Controlled Brake system) utility / Zero Down.
- (d) Select "Next" and wait for 10 seconds.
- (e) After the booster pump stopped, inspect the fluid level is between the MAX and MIN lines. If necessary, refill the brake fluid to the MAX line.



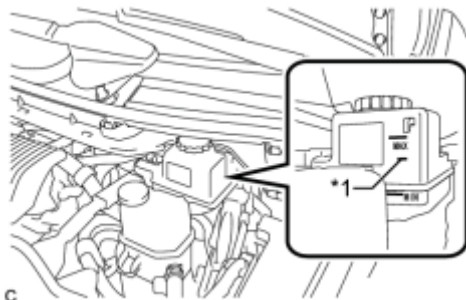
Text in Illustration

*1	MAX Line
*2	MIN Line

Brake fluid:

SAE J1703 or FMVSS No. 116 DOT3

2. INSPECT AND ADJUST FLUID LEVEL IN RESERVOIR (for not Using the Techstream)



- (a) Inspect the fluid level is above the MIN line with the power switch on (IG). If necessary, refill the brake fluid to the fluid level support line with the power switch on (IG).

Text in Illustration

*1	Fluid Level Support Line
----	--------------------------

REPLACEMENT

HINT:

There are 2 ways of brake fluid replacement: using the Techstream or not using the Techstream.

NOTICE:

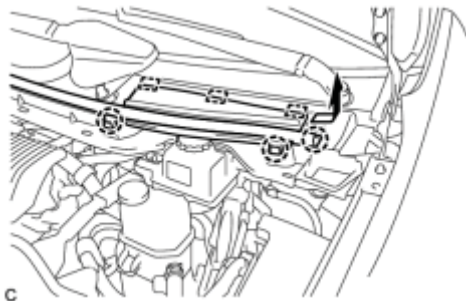
- Perform fluid replacement with park (P) selected and the parking brake applied.
- As brake fluid may overflow when replacing brake fluid, do not place the fluid can on the reservoir filler opening.
- Perform fluid replacement while maintaining the brake fluid level between the MIN/MAX level on the brake fluid reservoir.
- Replacing brake fluid will be difficult if the following occurs:
 - a. The brake actuator hose (the hose between the brake booster pump and brake fluid reservoir) is lowered into the fluid and air enters the hose.
 - b. During the fluid replacement procedure, air enters the brake booster pump while operating the pump motor.
- While performing fluid replacement, the accumulator pressure drop may cause a buzzer to sound. As there is no problem, continue with the fluid replacement.
- During fluid replacement, DTCs for pressure sensor malfunctions, etc. may be stored. After fluid replacement and if instructed in the procedures, clear the DTCs.
- Do not allow brake fluid to adhere to any painted surface such as the vehicle body. If brake fluid leaks onto any painted surface, immediately clean it off.

1. REPLACE BRAKE FLUID (for Using the Techstream)

NOTICE:

- Add brake fluid carefully and check that the reservoir level remains between the MIN and MAX lines.
- Do not stand the fluid can on the reservoir inlet. Doing so will cause brake fluid to overflow.

(a) Remove the center cowl top ventilator cover.

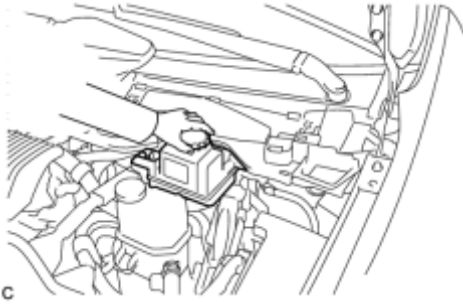


(1) Slide the hood to cowl top seal and disengage the claw.

(2) Disengage the 2 claws and 3 guides, and remove the center cowl top ventilator cover.

(b) Replace brake fluid.

(1) Remove the brake master cylinder reservoir filler cap assembly.



(2) Add brake fluid into the reservoir between MAX and MIN level on the brake fluid reservoir.

Brake fluid:

SAE J1703 or FMVSS No. 116 DOT3

(3) Connect the Techstream to the DLC3 and turn the power switch on (IG).

(4) Turn the Techstream on and enter the following menus: Chassis / ABS/VSC/TRC / Air Bleeding.

(5) Select the "Usual air bleeding" on the Techstream display, and replace the brake fluid following the instructions on the Techstream.

(6) After replacing brake fluid, tighten each bleeder plug.

front bleeder plug - Torque: **8.3 N·m (85 kgf·cm, 73in·lbf)**

rear bleeder plug - Torque: **11 N·m (112 kgf·cm, 8ft·lbf)**

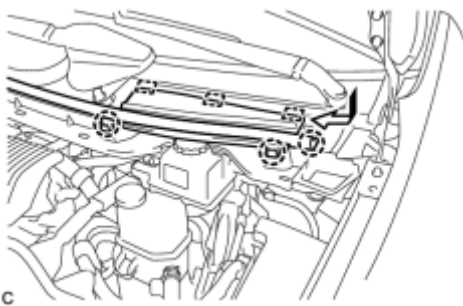
(c) Clear the DTCs NFC.

(d) Turn the Techstream off and turn the power switch off.

(e) Inspect for brake fluid leaks.

(f) Install the brake master cylinder reservoir filler cap.

(g) Install the center cowl top ventilator cover.



(1) Engage the 2 claws and 3 guides to install the center cowl top ventilator cover.

(2) Slide the hood to cowl top seal to engage the claw.

2. REPLACE BRAKE FLUID (for not Using the Techstream)

NOTICE:

- Performing the following procedure will select ECB (Electronically Controlled Brake system) Invalid Mode without using the Techstream.
- ECB (Electronically Controlled Brake system) Invalid Mode allows the brake fluid to be replaced without using the Techstream.
- The brake warning light / yellow will blink to indicate when ECB (Electronically Controlled Brake system) Invalid Mode is selected.
- Be sure to inspect that the brake warning light / yellow is blinking while replacing the brake fluid.
- When one of the following conditions is met, ECB (Electronically Controlled Brake system) Invalid Mode is cancelled, and then the DTCs may be stored. So do not cancel the ECB (Electronically Controlled Brake system) Invalid Mode while replacing brake fluid.

The shift lever is used to select from P to any other position.

Turn the power switch on (READY).

Turn the power switch off.

The parking brake is released.

The vehicle velocity is not 0 km/h (0 mph).

- Do not rotate the brake disc while ECB (Electronically Controlled Brake system) Invalid Mode is selected.
- When replacing the brake fluid from the brake line, do not depress the brake pedal to operate the brake booster pump more than 100 seconds. If the brake booster pump is operated more than 100 seconds, ECB (Electronically Controlled Brake system) Invalid Mode is automatically finished and the DTCs may be stored.
- Add brake fluid carefully and check that the reservoir level remains between the MIN and MAX lines.
- Do not stand the fluid can on the reservoir inlet. Doing so will cause brake fluid to overflow.

(a) Remove 4 wheels.

(b) Select ECB (Electronically Controlled Brake system) Invalid Mode.

(1) Perform the procedure listed below in 1 minute.

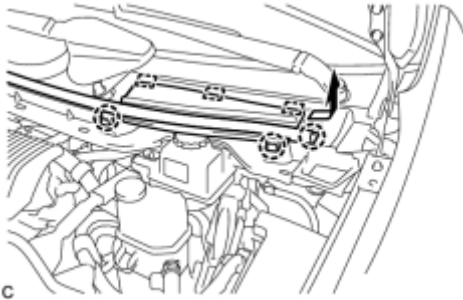
1. Turn the power switch on (IG) with park (P) selected and parking brake applied.
2. Select N and then depress the brake pedal more than 8 times in 5 seconds.
3. Push the P position switch and then depress the brake pedal more than 8 times in 5 seconds.
4. Select N and then depress the brake pedal more than 8 times in 5 seconds.
5. Push the P position switch.

(2) Check that the brake warning light / yellow is blinking.



N

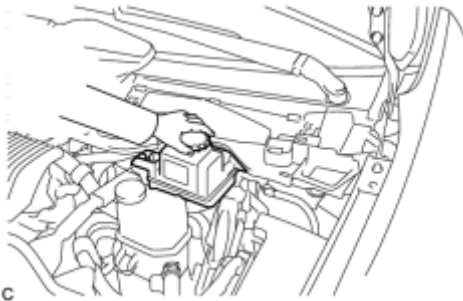
(c) Remove the center cowl top ventilator cover.



(1) Slide the hood to cowl top seal and disengage the claw.

(2) Disengage the 2 claws and 3 guides, and remove the center cowl top ventilator cover.

(d) Replace the brake fluid.



(1) Remove the brake master cylinder reservoir filler cap assembly.

(2) Add brake fluid into the reservoir between MAX and MIN level on the brake fluid reservoir.

Brake fluid:

SAE J1703 or FMVSS No. 116 DOT3

(3) Connect a vinyl tube to the bleeder plug of the front disc brake cylinder assembly RH.

(4) Depress the brake pedal several times, and then loosen the bleeder plug with the pedal depressed.*1

(5) When fluid stops coming out, tighten the bleeder plug, and then release the brake pedal.*2

(6) Repeat *1 and *2 until all the air in the brake fluid is completely bled out and a new brake fluid comes out.

(7) Tighten the bleeder plug completely.

Torque: **8.3 N·m (85 kgf·cm, 73in·lbf)**

(8) Replace the brake fluid from the front disc brake cylinder assembly LH using the same procedure as for RH.

(9) Connect a vinyl tube to the bleeder plug of the rear disc brake cylinder assembly LH.

(10) Loosen the bleeder plug while depressing and holding the brake pedal, and replace the brake fluid while the brake booster pump assembly and solenoid running.*3

NOTICE:

- Be sure to keep the brake pedal depressed.
- Do not depress the brake pedal to operate the brake booster pump more than 100 seconds. When performing this procedure continuously, release the brake pedal to stop the brake booster pump operating and depress the brake pedal again.

(11) Tighten the bleeder plug, then release the brake pedal.*4

(12) Repeat steps *3 and *4 until all the air in the brake fluid is completely bled out and a new brake fluid comes out.

(13) Tighten the bleeder plug completely.

Torque: **11 N·m (112 kgf·cm, 8ft·lbf)**

(14) Replace the brake fluid from the rear disc brake cylinder assembly RH using the same procedure as for LH.

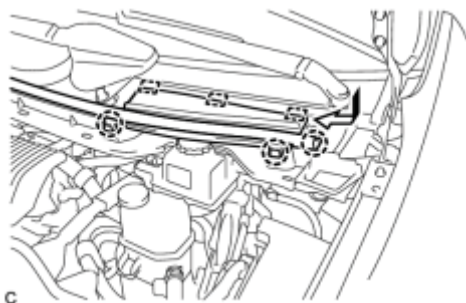
(15) Turn the power switch off.

(e) Inspect for brake fluid leaks.

(f) Adjust the brake fluid level in the reservoir .

(g) Install the brake master cylinder reservoir filler cap.

(h) Install the center cowl top ventilator cover.



(1) Engage the 2 claws and 3 guides to install the center cowl top ventilator cover.

(2) Slide the hood to cowl top seal to engage the claw.

(i) Install the 4 wheels.

Torque: **103 N·m (1050 kgf·cm, 76ft·lbf)**

BLEEDING

CAUTION:

The Techstream must be used for air bleeding. If not used, the air bleeding will be incomplete, which is hazardous and may lead to an accident.

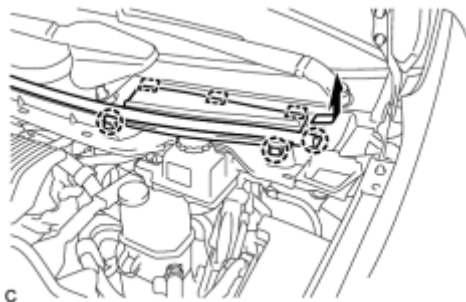
NOTICE:

- Perform air bleeding with park (P) selected and the parking brake applied.
- As brake fluid may overflow when bleeding, do not place the fluid can on the reservoir filler opening.
- Perform air bleeding while maintaining the brake fluid level between the MIN/MAX level on the brake fluid reservoir.
- Air bleeding will be difficult if the following occurs:
 - a. The brake actuator hose (the hose between the brake booster pump and brake fluid reservoir) is lowered into the fluid and air enters the hose.
 - b. During the air bleeding procedure, air enters the brake booster pump while operating the pump motor.
- While performing air bleeding, the accumulator pressure drop may cause a buzzer to sound. As there is no problem, continue with the operation.
- During air bleeding, DTCs for pressure sensor malfunctions, etc. may be stored. After air bleeding and if instructed in the procedures, clear the DTCs.
- Release the parking brake while the linear valve offset calibration procedure.
- Do not allow brake fluid to adhere to any painted surface such as the vehicle body. If brake fluid leaks onto any painted surface, immediately clean it off.
- When bleeding air, select the suitable procedure according to the table below.

Replaced/Installed Item	Work Procedure
Flexible hose (front/rear)	Bleed brake line
Disc brake cylinder assembly (front/rear)	
Brake booster pump assembly	Bleed brake system
Brake booster with master cylinder assembly	
Brake master cylinder reservoir assembly	

1. BLEED BRAKE LINE

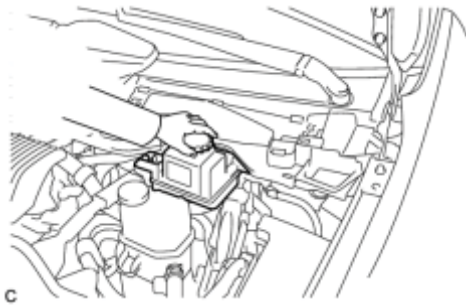
- (a) Remove the center cowl top ventilator cover.



- (1) Slide the hood to cowl top seal and disengage the claw.

(2) Disengage the 2 claws and 3 guides, and remove the center cowl top ventilator cover.

(b) Bleed brake line.



(1) Remove the brake master cylinder reservoir filler cap assembly.

(2) Add brake fluid into the reservoir between MAX and MIN level on the brake fluid reservoir.

Brake fluid:

SAE J1703 or FMVSS No. 116 DOT3

(3) Connect the Techstream to the DLC3 and turn the power switch on (IG).

(4) Turn the Techstream on and enter the following menus: Chassis / ABS/VSC/TRC / Air Bleeding.

(5) Select the "Usual air bleeding" on the Techstream display, and bleed air from the brake fluid following the instructions on the Techstream.

(6) After air bleeding, tighten each bleeder plug.

front bleeder plug - Torque: **8.3 N·m (85 kgf·cm, 73in·lbf)**

rear bleeder plug - Torque: **11 N·m (112 kgf·cm, 8ft·lbf)**

(7) Clear the DTCs .

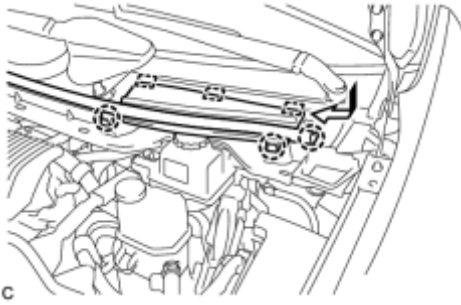
(8) Turn the Techstream off and turn the power switch off.

(c) Inspect for brake fluid leaks.

(d) Install the brake master cylinder reservoir filler cap.

(e) Install the center cowl top ventilator cover.

(1) Engage the 2 claws and 3 guides to install the center cowl top ventilator cover.



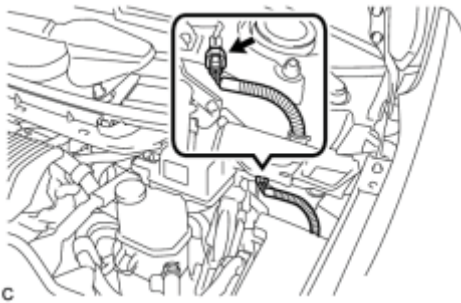
(2) Slide the hood to cowl top seal to engage the claw.

2. BLEED BRAKE SYSTEM

(a) Remove the outer cowl top panel sub-assembly .

(b) Bleed the brake system.

(1) Wait at least 2 minutes with the power switch off, and disconnect the reservoir level switch connector.

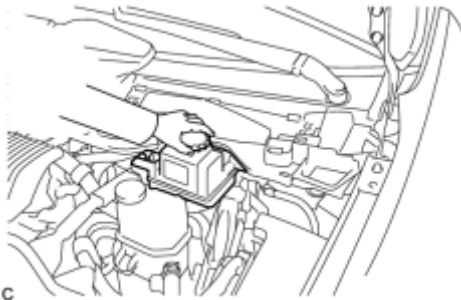


NOTICE:

Do not depress the brake pedal or open/close the doors until the reservoir level switch connector is disconnected.

HINT:

This procedure is not required if the reservoir level switch connector has been disconnected.



(2) Remove the brake master cylinder reservoir filler cap assembly.

(3) Add brake fluid into the reservoir between MAX and MIN level on the brake fluid reservoir.

Brake fluid:

SAE J1703 or FMVSS No. 116 DOT3

(4) Connect the Techstream to the DLC3 and turn the power switch on (IG).

(5) Turn the Techstream on and enter the following menus: Chassis / ABS/VSC/TRC / Air Bleeding.

(6) Select the "ABS actuator has been replaced" on the Techstream display, and bleed air from the brake fluid following the instructions on the Techstream.

NOTICE:

Before following the instructions on the Techstream to perform linear valve offset calibration, release the parking brake. When calibration is complete, immediately apply the parking brake.

(7) After air bleeding, tighten each bleeder plug.

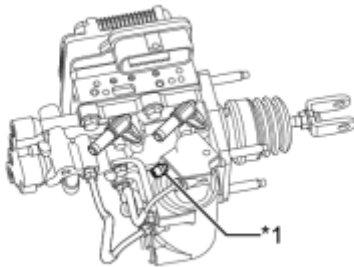
front bleeder plug - Torque: **8.3 N·m (85 kgf·cm, 73in·lbf)**

rear bleeder plug - Torque: **11 N·m (112 kgf·cm, 8ft·lbf)**

stroke simulator bleeder plug - Torque: **8.5 N·m (87 kgf·cm, 75in·lbf)**

HINT:

The stroke simulator bleeder plug is positioned as shown in the illustration.



c

Text in Illustration

*1	Stroke Simulator Bleeder Plug
----	-------------------------------

(8) Clear the DTCs **INFO**.

(9) Turn the Techstream off and turn the power switch off.

(c) Install the brake master cylinder reservoir filler cap.

(d) Inspect for brake fluid leaks.

(e) Install the outer cowl top panel sub-assembly **INFO**.