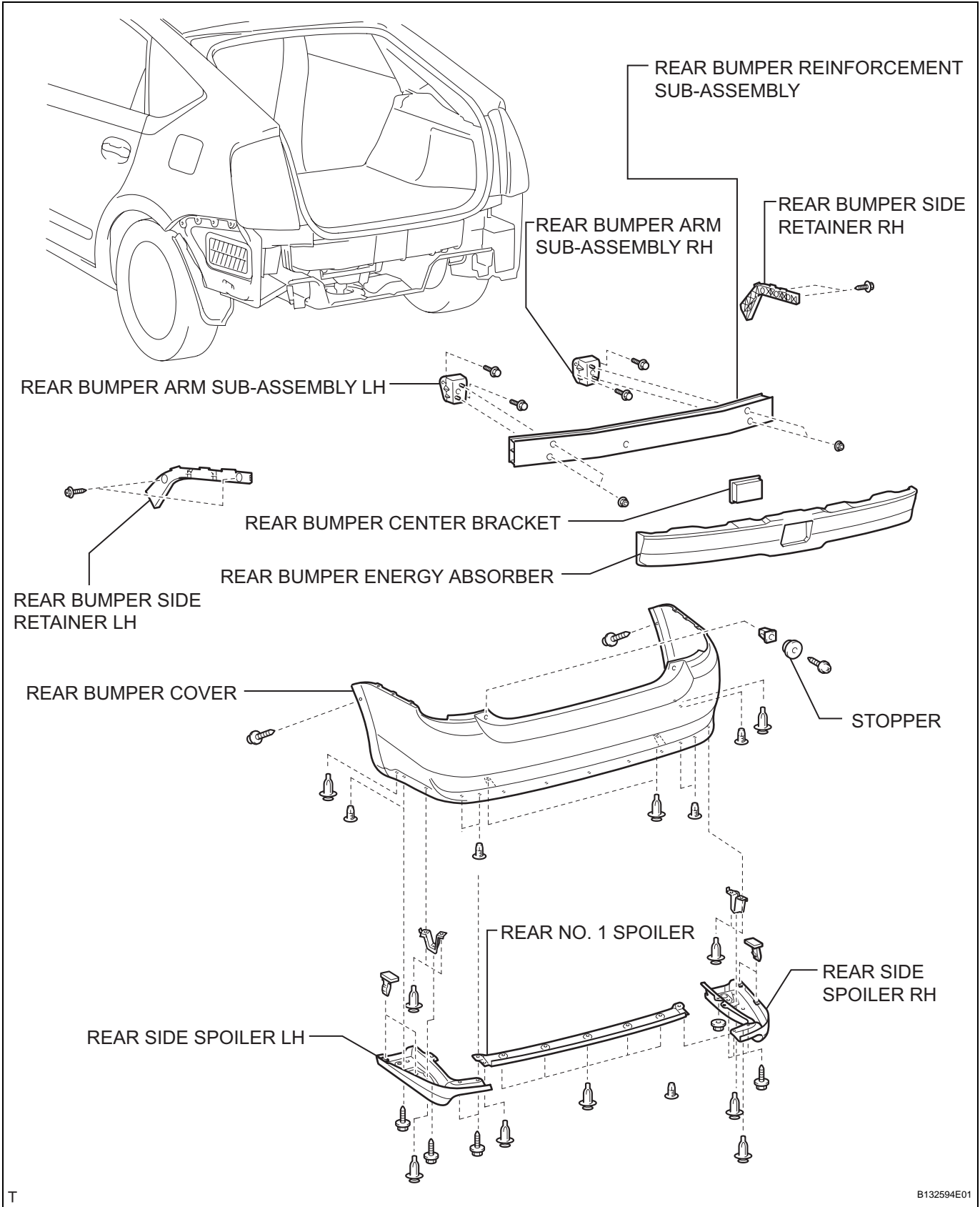


REAR BUMPER COMPONENTS



ET

T