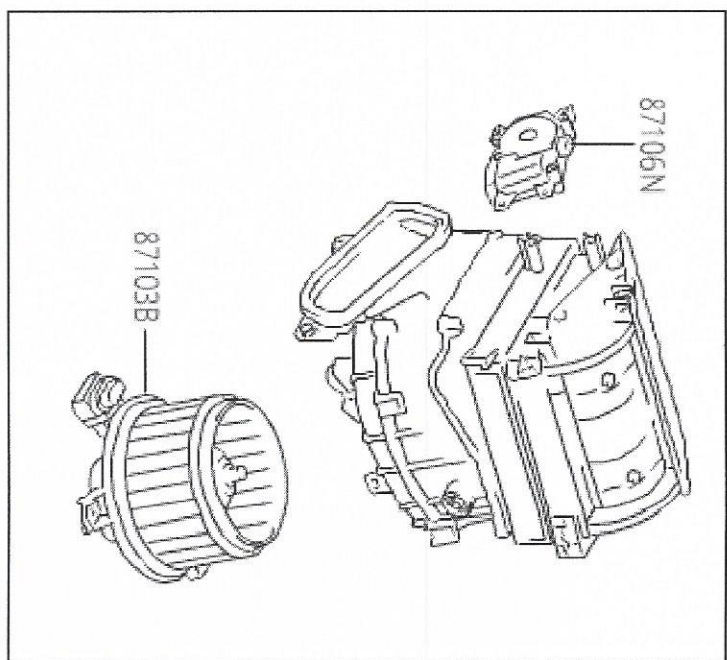
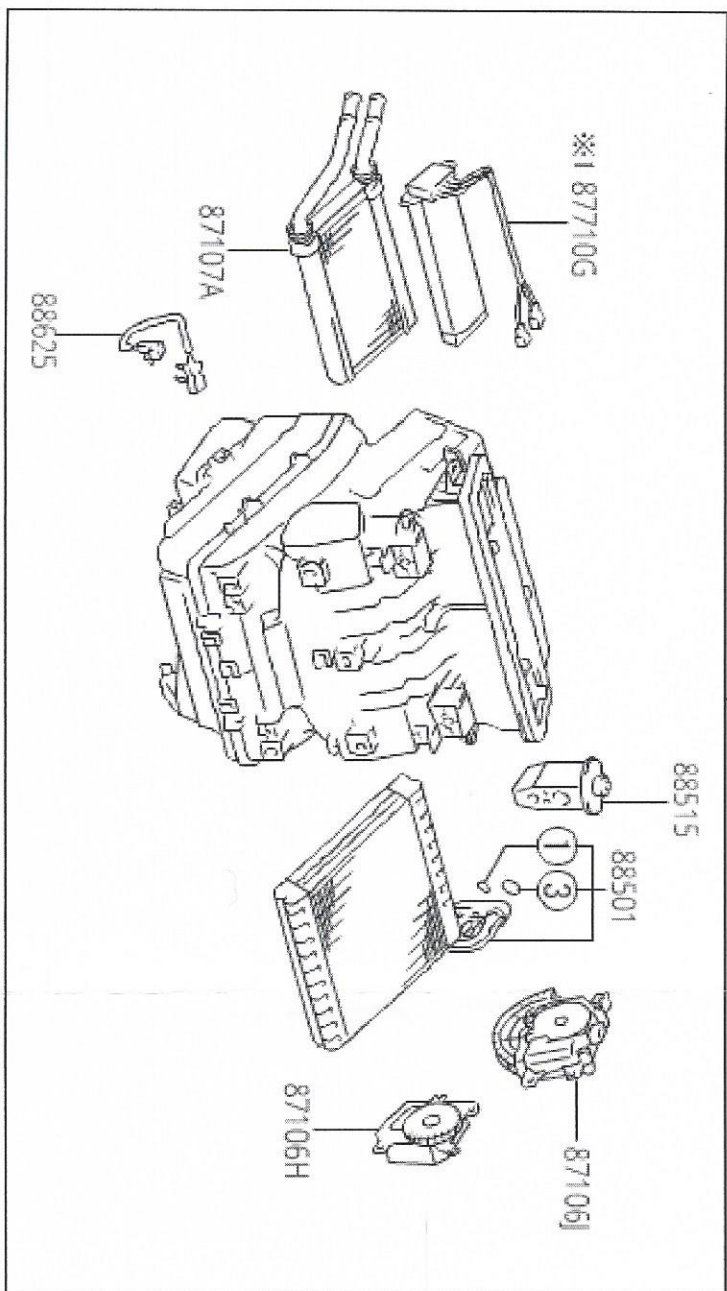
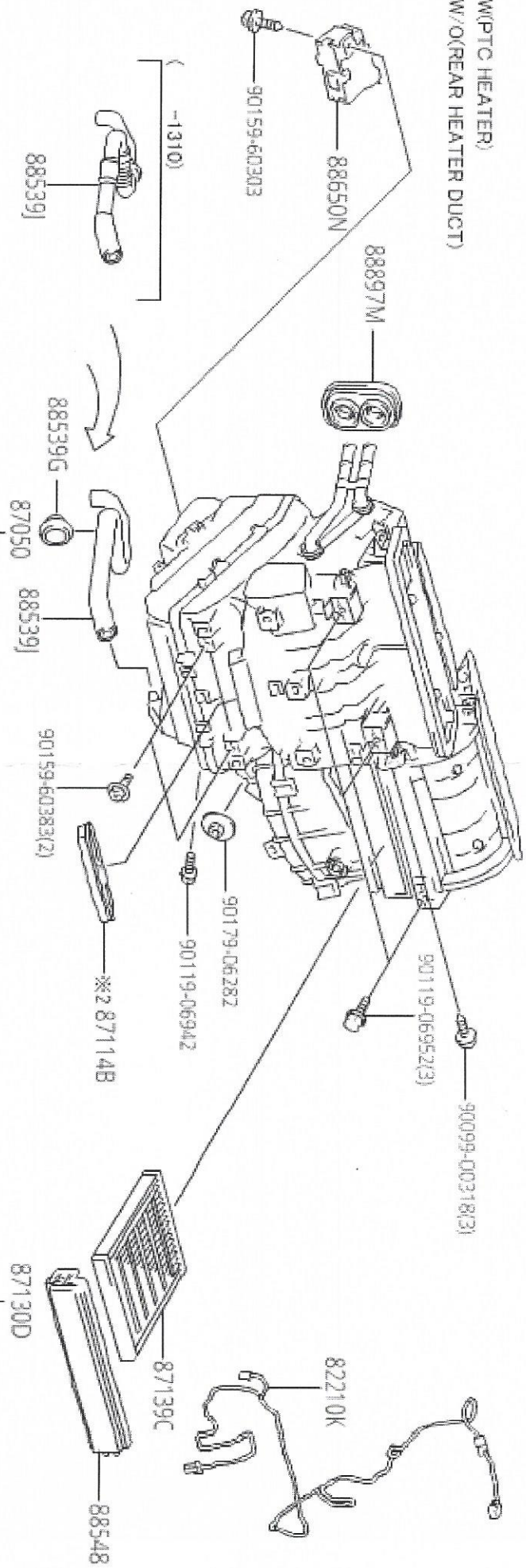
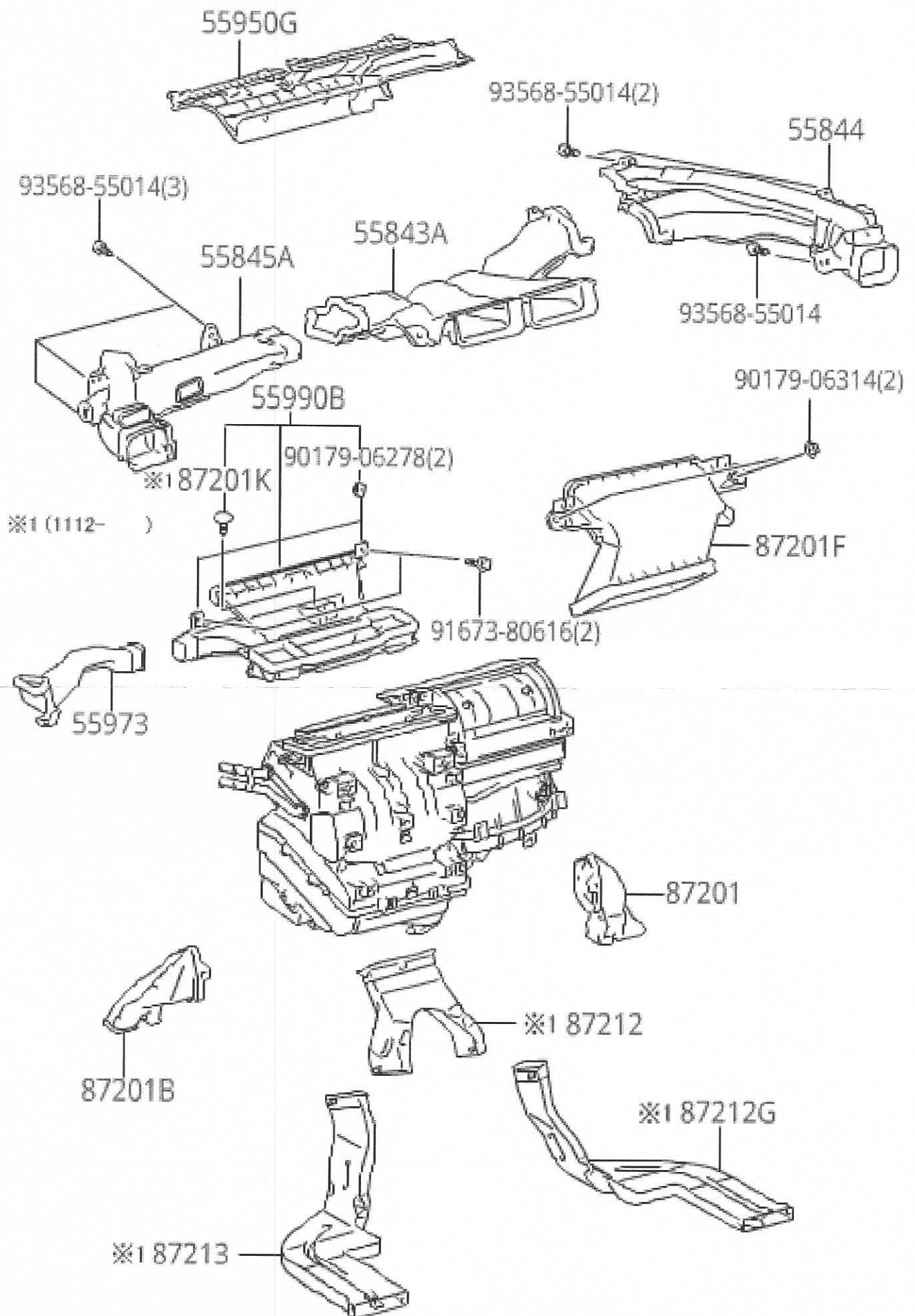


(1 W/PTC HEATER)
 (2 W/O(REAR HEATER DUCT))





※1 WITH(REAR HEATER DUCT)