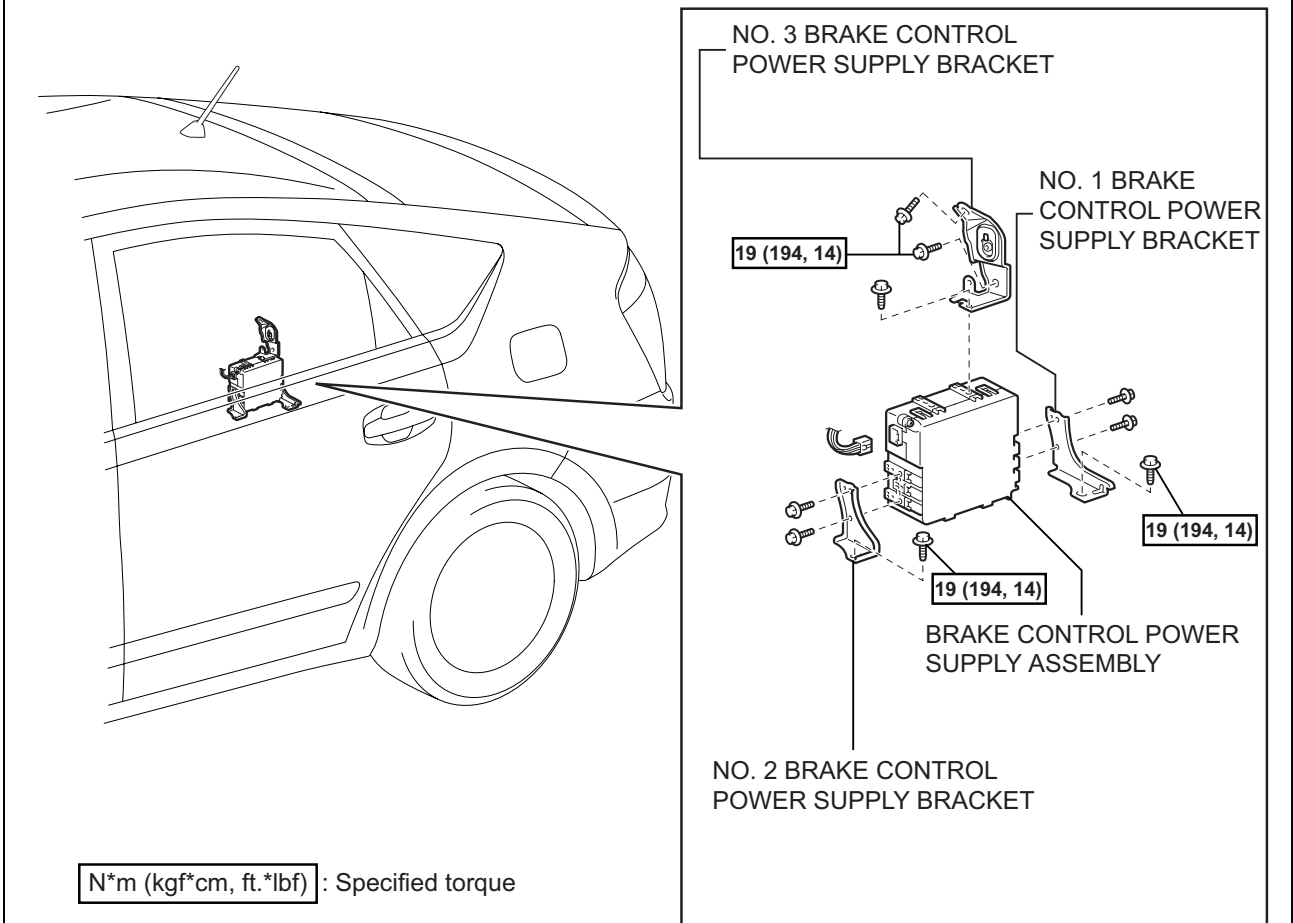
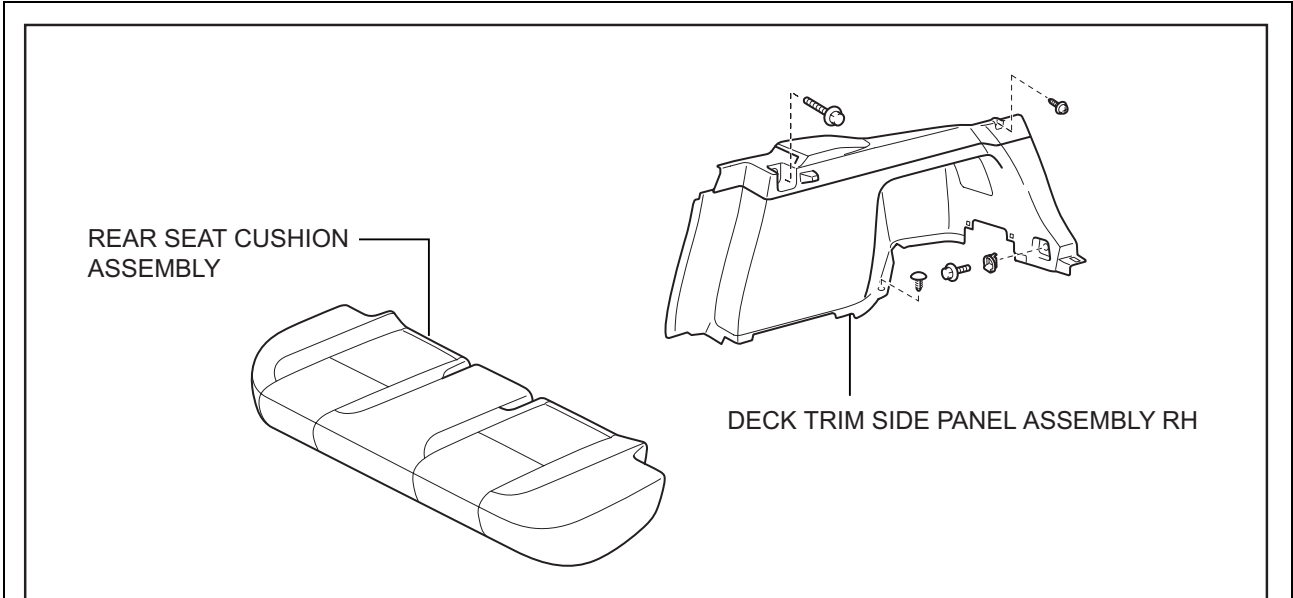


BRAKE CONTROL POWER SUPPLY

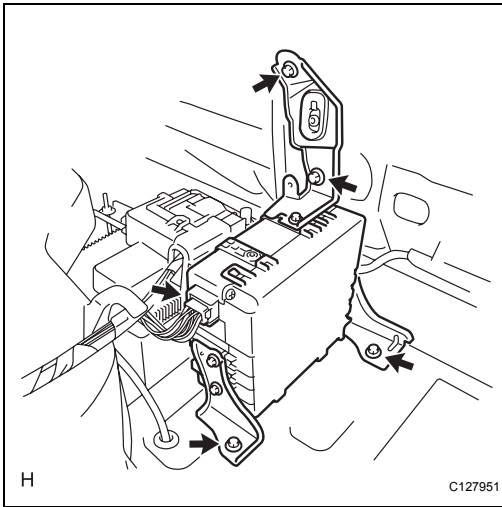
COMPONENTS



REMOVAL

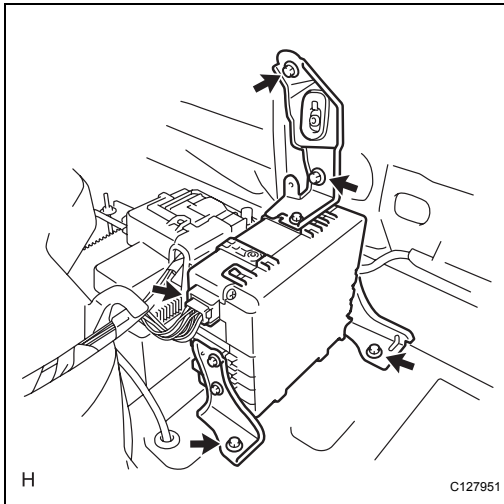
1. **REMOVE REAR SEAT CUSHION ASSEMBLY** (See page [SE-15](#))
2. **REMOVE DECK TRIM SIDE PANEL ASSEMBLY RH**
 - (a) Remove the deck trim side panel RH (see page [IR-7](#)).

HINT:
Refer to the procedures from the removal of the rear door scuff plate RH up until the removal of the deck trim side panel assembly RH.
3. **REMOVE BRAKE CONTROL POWER SUPPLY ASSEMBLY**
 - (a) Disconnect the connector.
 - (b) Remove the 4 bolts and brake control power supply.
4. **REMOVE NO. 3 BRAKE CONTROL POWER SUPPLY BRACKET**
5. **REMOVE NO. 2 BRAKE CONTROL POWER SUPPLY BRACKET**
6. **REMOVE NO. 1 BRAKE CONTROL POWER SUPPLY BRACKET**



INSTALLATION

1. **INSTALL NO. 1 BRAKE CONTROL POWER SUPPLY BRACKET**
2. **INSTALL NO. 2 BRAKE CONTROL POWER SUPPLY BRACKET**
3. **INSTALL NO. 3 BRAKE CONTROL POWER SUPPLY BRACKET**



4. **INSTALL BRAKE CONTROL POWER SUPPLY ASSEMBLY**
 - (a) Install the brake control power supply with the 4 bolts.
Torque: 19 N*m (194 kgf*cm, 14 ft.*lbf)
 - (b) Connect the brake control power supply connector.
5. **INSTALL DECK TRIM SIDE PANEL ASSEMBLY RH**
 - (a) Install the deck trim side panel RH (see page [IR-13](#)).
HINT:
Refer to the procedures from the installation of the deck trim side panel assembly RH up until the installation of the rear door scuff plate RH.
6. **INSTALL REAR SEAT CUSHION ASSEMBLY (See page [SE-23](#))**
7. **CHECK AND CLEAR DTC**
 - (a) Check and clear the DTC (see page [BC-38](#)).