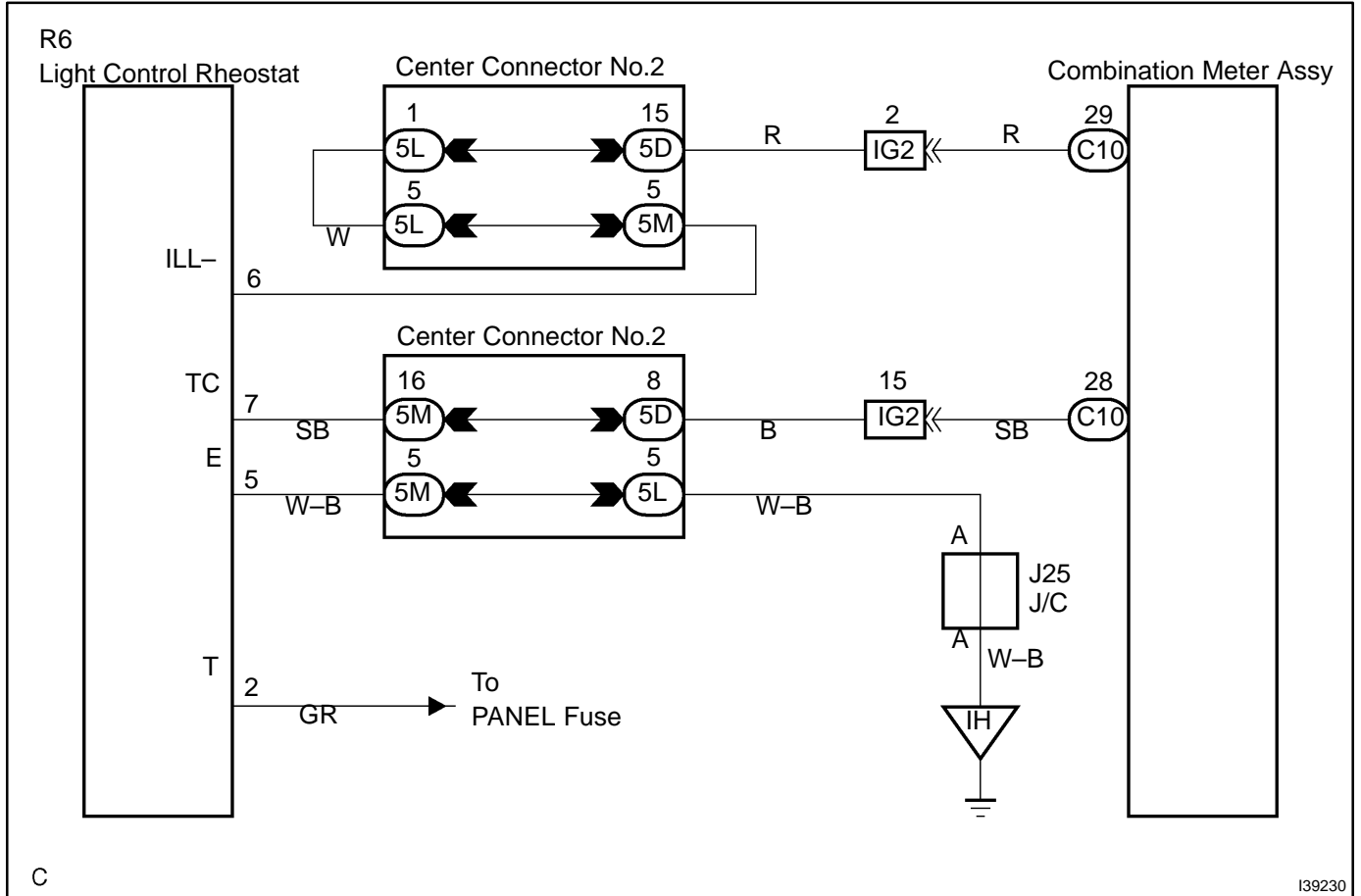


OPERATING LIGHT CONTROL RHEOSTAT DOES NOT CHANGE LIGHT BRIGHTNESS

WIRING DIAGRAM



INSPECTION PROCEDURE

1 INSPECT ODO/TRIP SWITCH

Light illumination level does not change.	A
Tail cancel switch does not operate.	B
Light illumination level does not change and tail cancel switch does not operate.	A

B Go to step 6

A

2 CHECK SYSTEM

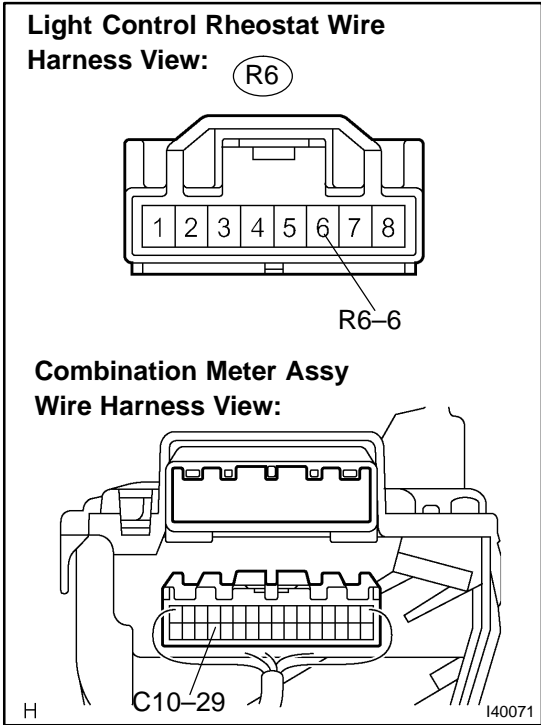
- (a) Check if the light illumination level changes normally on other systems such as the multi-display and the radio receiver.

OK: Other systems operate normally.

NG Go to step 4

OK

3 CHECK HARNESS AND CONNECTOR(ODO/TRIP SWITCH - COMBINATION METER ASSY)(SEE PAGE 01-37)



- (a) Disconnect the C10 and R6 connectors.
- (b) Measure the resistance according to the value(s) in the table below.

Standard:

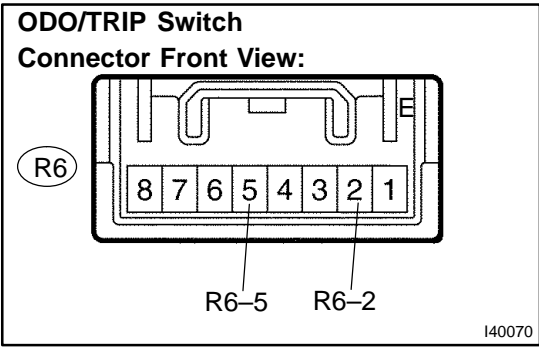
Tester Connection	Condition	Specified Condition
C10-29 - R6-6	Always	Below 1 Ω
C10-29 - Body ground	Always	10 kΩ or higher

NG REPAIR OR REPLACE HARNESS OR CONNECTOR

OK

REPLACE COMBINATION METER ASSY(SEE PAGE 71-19)

4 INSPECT ODO/TRIP SWITCH



- (a) Disconnect the R6 connector.
- (b) Measure the voltage according to the value(s) in the table below.

Standard:

Terminal No	Condition	Specified condition
R6-2 - Body ground	Headlight Dimmer SW OFF → TAIL	Below 1 V → 10 to 14 V

- (c) Measure the resistance according to the value(s) in the table below.

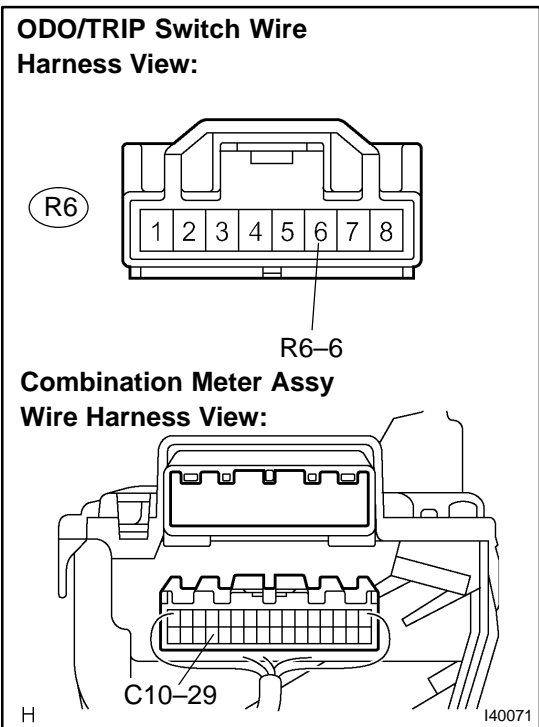
Standard:

Terminal No	Condition	Specified condition
R6-5 - Body ground	Always	Below 1 Ω

NG → **REPAIR OR REPLACE HARNESS OR CONNECTOR**

OK

5 CHECK HARNESS AND CONNECTOR(ODO/TRIP SWITCH - COMBINATION METER ASSY)(SEE PAGE 01-37)



- (a) Disconnect the C10 and R6 connectors.
- (b) Measure the resistance according to the value(s) in the table below.

Standard:

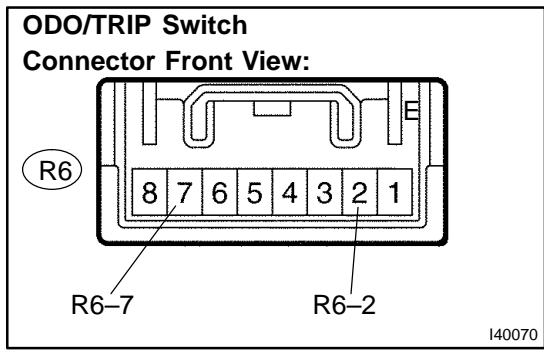
Tester Connection	Condition	Specified Condition
C10-29 - R6-6	Always	Below 1 Ω
C10-29 - Body ground	Always	10 kΩ or higher

NG → **REPAIR OR REPLACE HARNESS OR CONNECTOR**

OK

REPLACE COMBINATION METER ASSY(SEE PAGE 71-19)

6 INSPECT ODO/TRIP SWITCH



- (a) Disconnect the R6 connector.
- (b) Measure the resistance according to the value(s) in the table below.

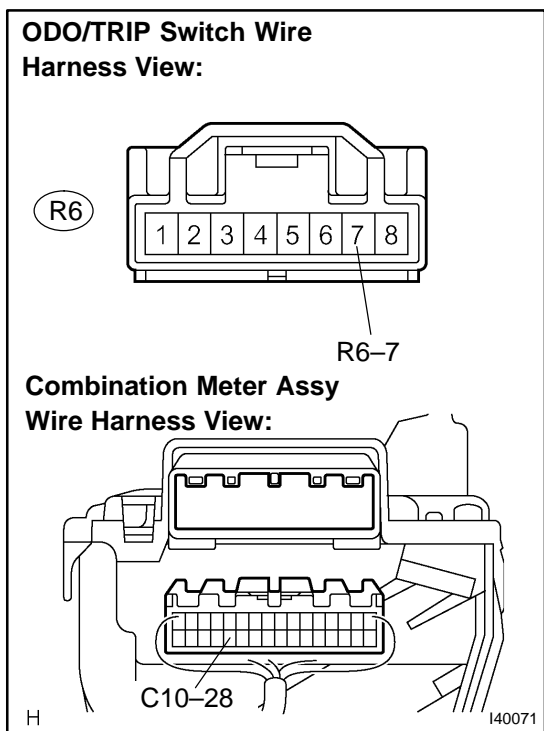
Standard:

Terminal No	Condition	Specified condition
R6-2 - R6-7	Tail cancel position (rheostat knob is fully turned up) → Non-tail cancel position	10 kΩ or higher → Below 1 Ω

NG → REPLACE ODO/TRIP SWITCH

OK

7 CHECK HARNESS AND CONNECTOR(ODO/TRIP SWITCH - COMBINATION METER ASSY)(SEE PAGE 01-37)



- (a) Disconnect the C10 and R6 connectors.
- (b) Measure the resistance according to the value(s) in the table below.

Standard:

Tester Connection	Condition	Specified Condition
C10-28 - R6-7	Always	Below 1 Ω
C10-28 - Body ground	Always	10 kΩ or higher

NG → REPAIR OR REPLACE HARNESS OR CONNECTOR

OK

REPLACE COMBINATION METER ASSY(SEE PAGE 71-19)