

Last Modified: 12-15-2015	6.6 A	Doc ID: RM000003W9F029X
Model Year Start: 2012	Model: Prius V	Prod Date Range: [06/2011 -]
Title: AUDIO / VIDEO: RADIO RECEIVER: REMOVAL; 2012 MY Prius V [06/2011 -]		

REMOVAL

1. PRECAUTION

NOTICE:

After turning the power switch off, waiting time may be required before disconnecting the cable from the negative (-) auxiliary battery terminal. Therefore, make sure to read the disconnecting the cable from the negative (-) auxiliary battery terminal notices before proceeding with work **INFO** .

2. REMOVE DECK BOARD ASSEMBLY **INFO**

3. REMOVE NO. 1 DECK BOARD **INFO**

4. REMOVE NO. 2 DECK BOARD **INFO**

5. REMOVE REAR DECK FLOOR BOX **INFO**

6. REMOVE DECK FLOOR BOX RH **INFO**

7. DISCONNECT CABLE FROM NEGATIVE AUXILIARY BATTERY TERMINAL

NOTICE:

When disconnecting the cable, some systems need to be initialized after the cable is reconnected **INFO** .

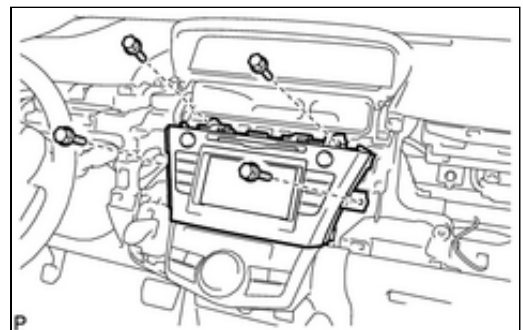
8. REMOVE INTEGRATION CONTROL AND PANEL **INFO**

9. REMOVE INSTRUMENT PANEL BOX ASSEMBLY **INFO**

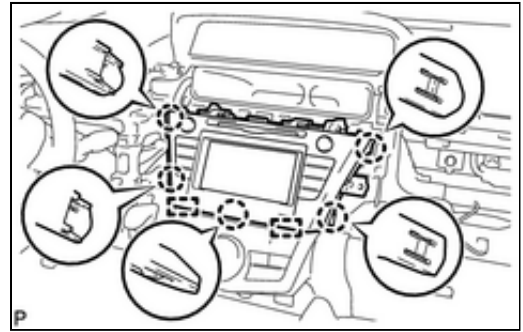
10. REMOVE CENTER INSTRUMENT PANEL REGISTER ASSEMBLY **INFO**

11. REMOVE RADIO AND DISPLAY RECEIVER ASSEMBLY WITH BRACKET

(a) Remove the 4 bolts.



(b) Disengage the 5 claws and 2 guides.



(c) Disconnect each connector and remove the radio and display receiver assembly with bracket.

w/ Navigation System:

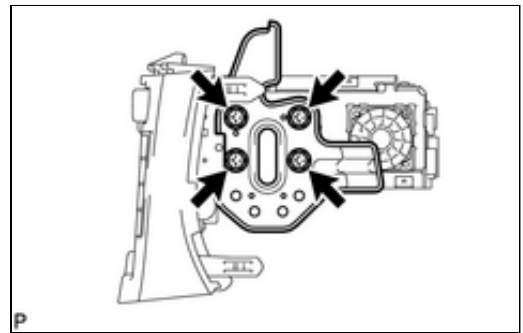
HINT:

Do not disconnect the extension module connector.

12. REMOVE NO. 1 RADIO RECEIVER BRACKET

(a) w/o Navigation System:

(1) Remove the 4 screws and No. 1 radio receiver bracket.



(b) w/ Navigation System:

(1) Remove the 6 screws and No. 1 radio receiver bracket.

13. REMOVE NO. 2 RADIO RECEIVER BRACKET

HINT:

Use the same procedure as for the No. 1 radio receiver bracket.

14. REMOVE EXTENSION MODULE (w/ Navigation System)

INFO

15. REMOVE RADIO AND DISPLAY RECEIVER ASSEMBLY

