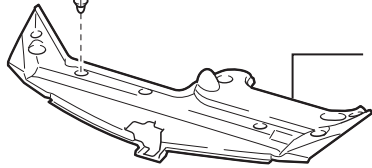


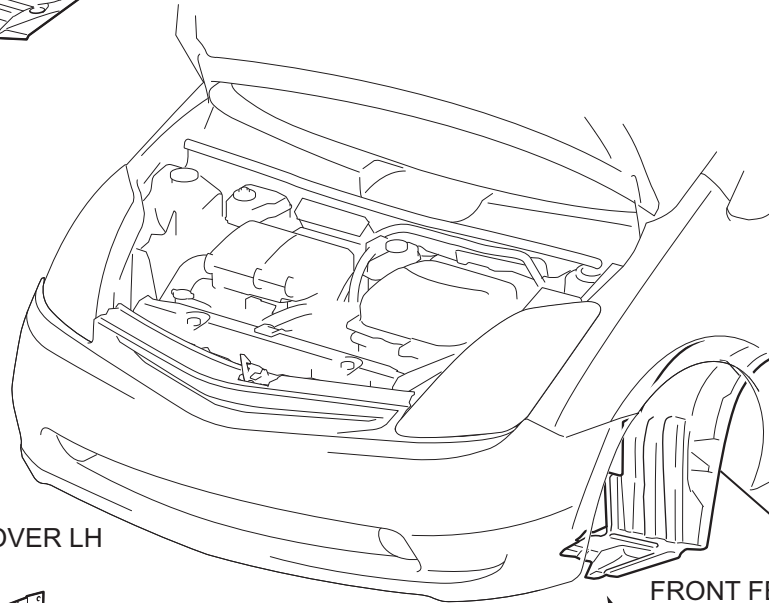
COOLANT HEAT STORAGE WATER PUMP

COMPONENTS

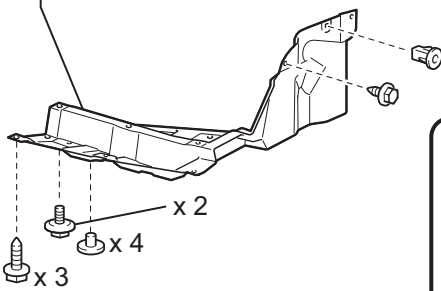
CLIP x 6



RADIATOR SUPPORT OPENING COVER

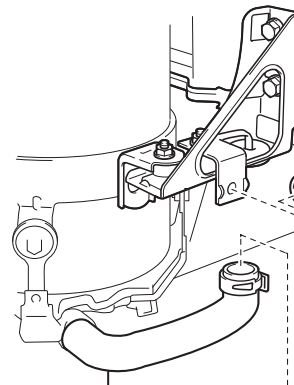


ENGINE UNDER COVER LH



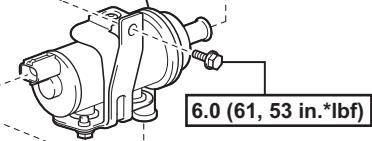
FRONT FENDER LINER LH

NO. 1 HEAT STORAGE WATER BY-PASS HOSE



WATER BY-PASS HOSE

COOLANT HEAT STORAGE WATER PUMP



6.0 (61, 53 in.*lbf)

WATER PUMP CONNECTOR

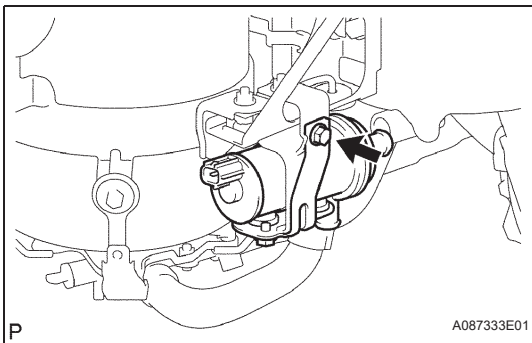
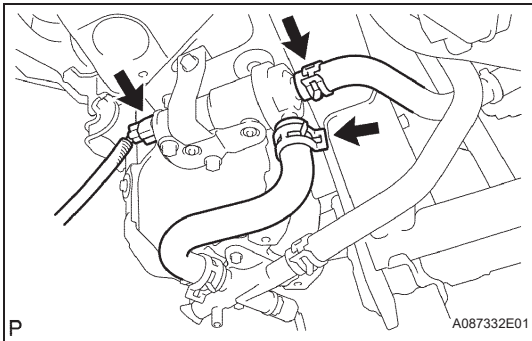
N*m (kgf*cm, ft.*lbf) : Specified torque

CO

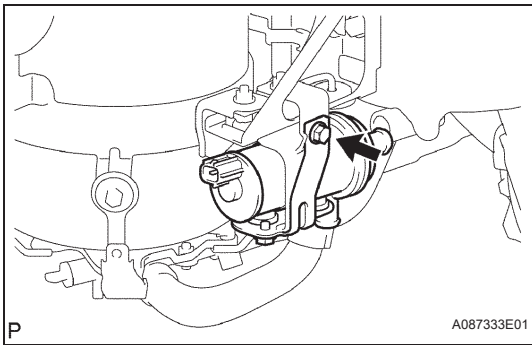
REMOVAL

1. REMOVE REAR FLOOR NO. 2 BOARD (See page [CH-4](#))
2. REMOVE REAR DECK FLOOR BOX (See page [CH-4](#))
3. REMOVE REAR FLOOR NO. 3 BOARD (See page [CH-4](#))
4. DISCONNECT CABLE FROM BATTERY NEGATIVE TERMINAL
CAUTION:
 Wait at least 90 seconds after disconnecting the cable from the negative (-) battery terminal to prevent airbag and seat belt pretensioner activation.
5. REMOVE RADIATOR SUPPORT OPENING COVER (See page [CO-6](#))
6. REMOVE FRONT WHEEL LH
7. REMOVE ENGINE UNDER COVER LH
8. REMOVE FRONT FENDER LINER LH
 (a) Partially remove the front fender liner LH.
9. DRAIN ENGINE COOLANT (See page [HX-58](#))
10. REMOVE COOLANT HEAT STORAGE WATER PUMP
 (a) Disconnect the coolant heat storage water pump connector.
 (b) Disconnect the 2 hoses.

CO



- (c) Remove the bolt and coolant heat storage water pump.

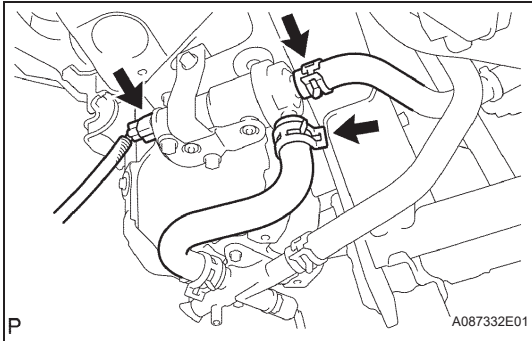


INSTALLATION

1. INSTALL COOLANT HEAT STORAGE WATER PUMP

- (a) Install the coolant heat storage pump water pump with the bolt.

Torque: 6.0 N*m (61 kgf*cm, 53 in.*lbf)



- (b) Connect the 2 hoses.

- (c) Connect the connector to the coolant heat storage pump.

2. CONNECT CABLE TO BATTERY NEGATIVE TERMINAL

3. INSTALL REAR FLOOR NO. 3 BOARD (See page CH-8)

4. INSTALL REAR DECK FLOOR BOX (See page CH-8)

5. INSTALL REAR FLOOR NO. 2 BOARD (See page CH-8)

6. ADD ENGINE COOLANT (See page HX-58)

7. CHECK FOR ENGINE COOLANT LEAKS

8. INSTALL FRONT FENDER LINER LH

9. INSTALL ENGINE UNDER COVER LH

10. INSTALL FRONT WHEEL LH

Torque: 103 N*m (1050 kgf*cm, 76 ft.*lbf)

11. INSTALL RADIATOR SUPPORT OPENING COVER (See page CO-9)

12. PERFORM INITIALIZATION

- (a) Perform initialization (see page IN-32).

NOTICE:

Certain systems need to be initialized after disconnecting and reconnecting the cable from the negative (-) battery terminal.