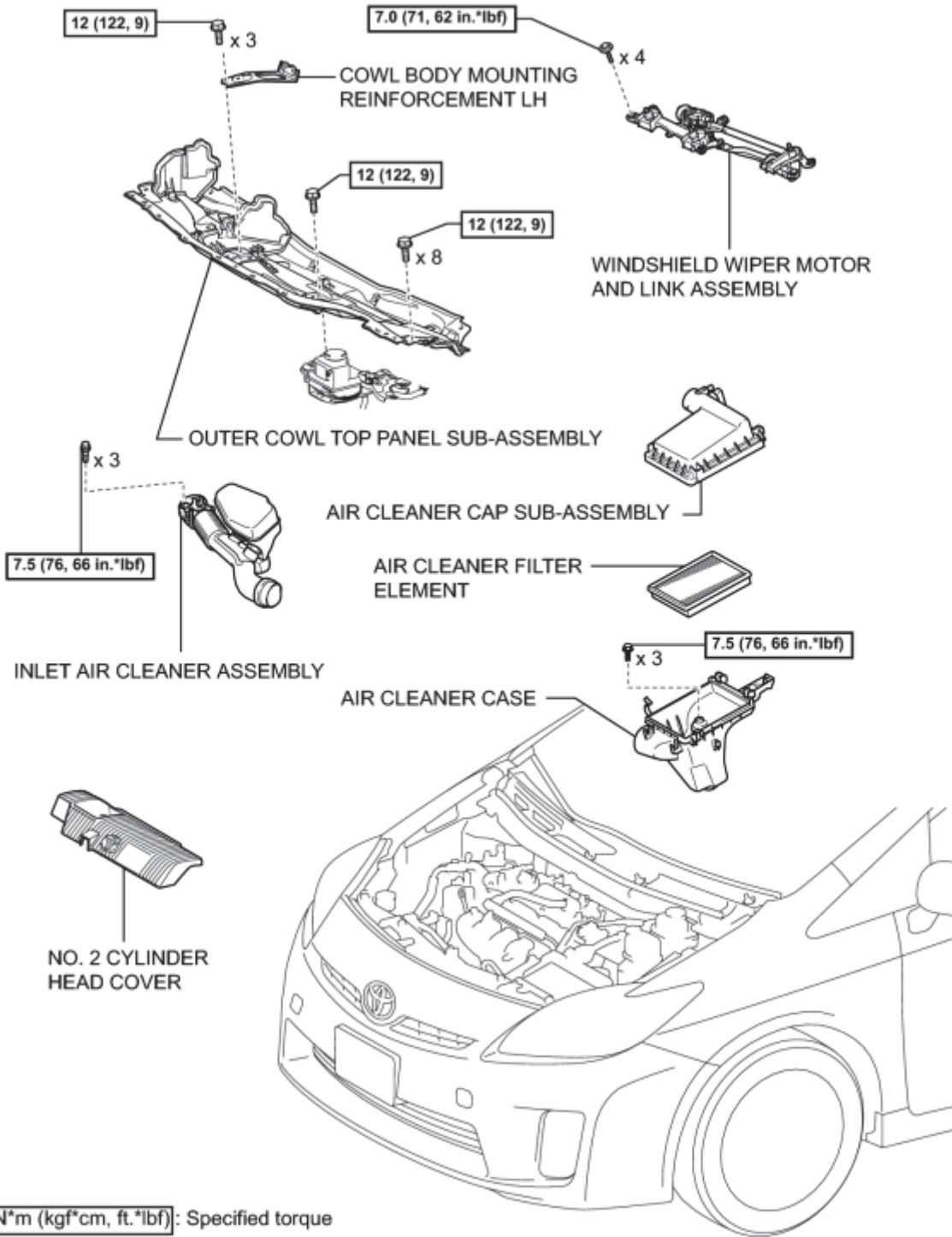


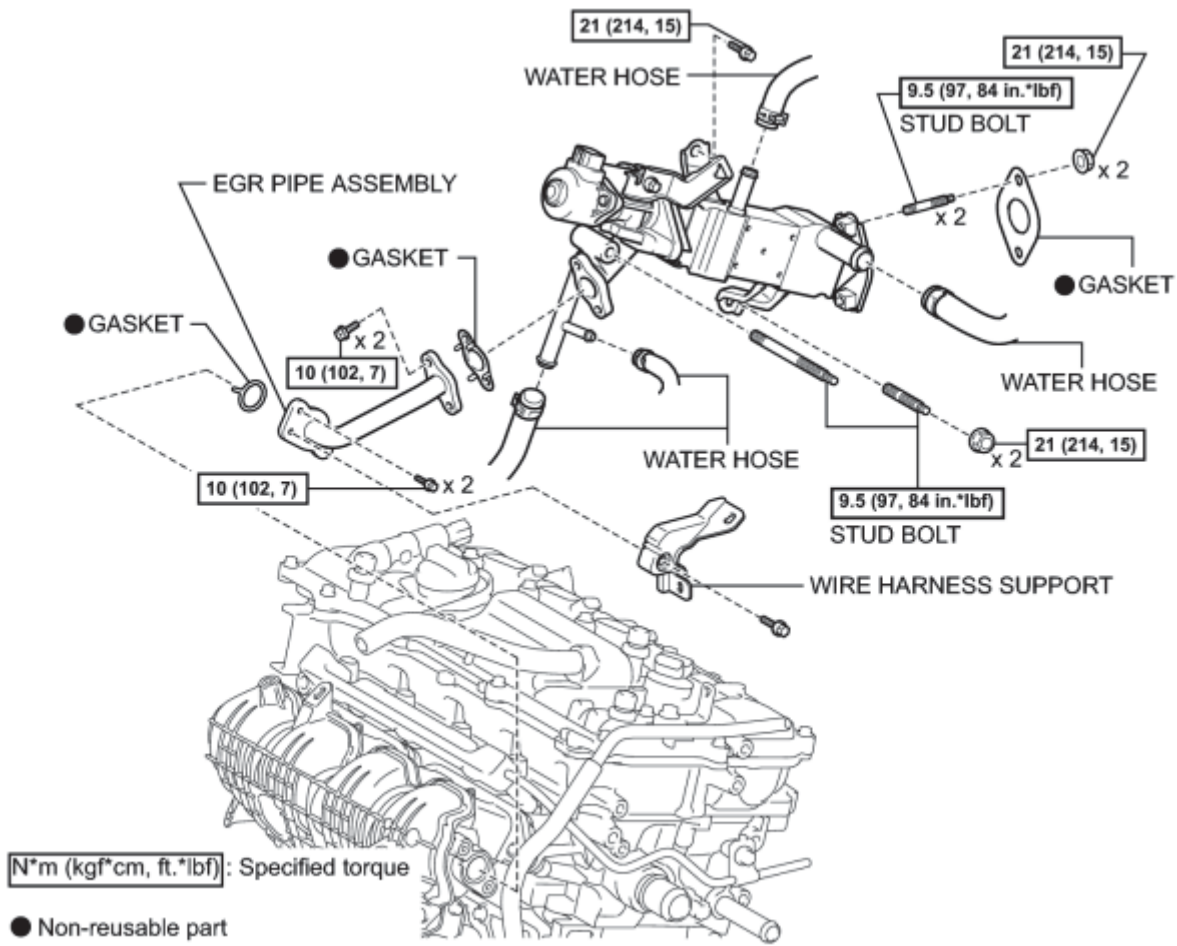
COMPONENTS

ILLUSTRATION



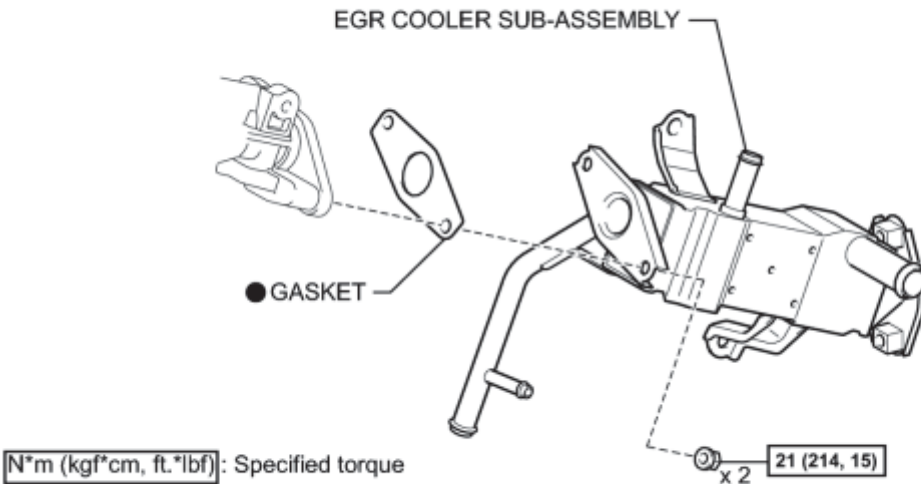
c

ILLUSTRATION



T

ILLUSTRATION



T

REMOVAL

1. REMOVE WINDSHIELD WIPER MOTOR AND LINK ASSEMBLY

(a) Remove the windshield wiper motor and link assembly INFO.

2. REMOVE COWL BODY MOUNTING REINFORCEMENT LH INFO

3. REMOVE OUTER COWL TOP PANEL SUB-ASSEMBLY INFO

4. DRAIN COOLANT (for Engine) INFO

5. REMOVE NO. 2 CYLINDER HEAD COVER INFO

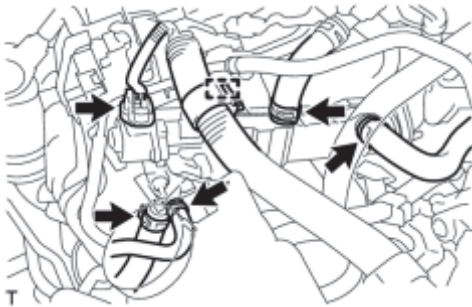
6. REMOVE AIR CLEANER CAP SUB-ASSEMBLY INFO

7. REMOVE INLET AIR CLEANER ASSEMBLY INFO

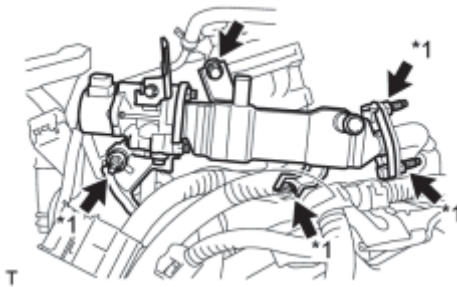
8. REMOVE AIR CLEANER CASE INFO

9. REMOVE EGR PIPE ASSEMBLY INFO

10. REMOVE EGR COOLER SUB-ASSEMBLY



(a) Disconnect the connector, wire harness clamp and 4 water hoses.



(b) Remove the 4 nuts and bolt.

Text in Illustration

*1 Stud Bolt and Nut

(c) Using an E8 "TORX" wrench, remove the 4 stud bolts and EGR valve with cooler assembly.

(d) Remove the gasket.

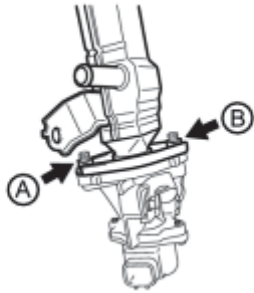


(e) Remove the 2 nuts, EGR cooler sub-assembly and gasket.

T

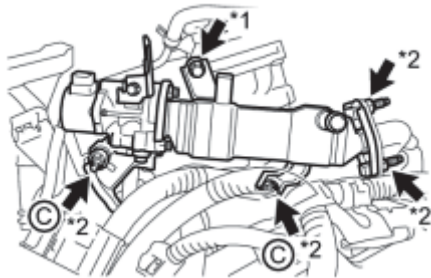
INSTALLATION

1. INSTALL EGR COOLER SUB-ASSEMBLY



(a) Temporarily install the EGR cooler sub-assembly with the 2 nuts (A and B).

Text in Illustration



*1	Bolt
*2	Stud Bolt and Nut

(b) Set a new gasket and EGR valve with cooler assembly.

(c) Using an E8 "TORX" wrench, install the 4 stud bolts.

Torque: **9.5 N·m (97 kgf·cm, 84in·lbf)**

(d) Temporarily install the 2 nuts (C) and bolt.

(e) Tighten the nut (A).

Torque: **21 N·m (214 kgf·cm, 15ft·lbf)**

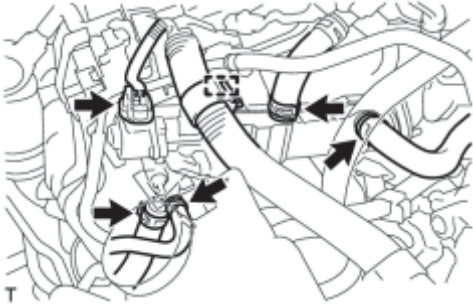
(f) Tighten the 3 nuts (B and C) and bolt.

Torque: **21 N·m (214 kgf·cm, 15ft·lbf)**

NOTICE:

Make sure that all installation surfaces of the EGR valve with cooler assembly are in even contact when tightening the bolts and nuts.

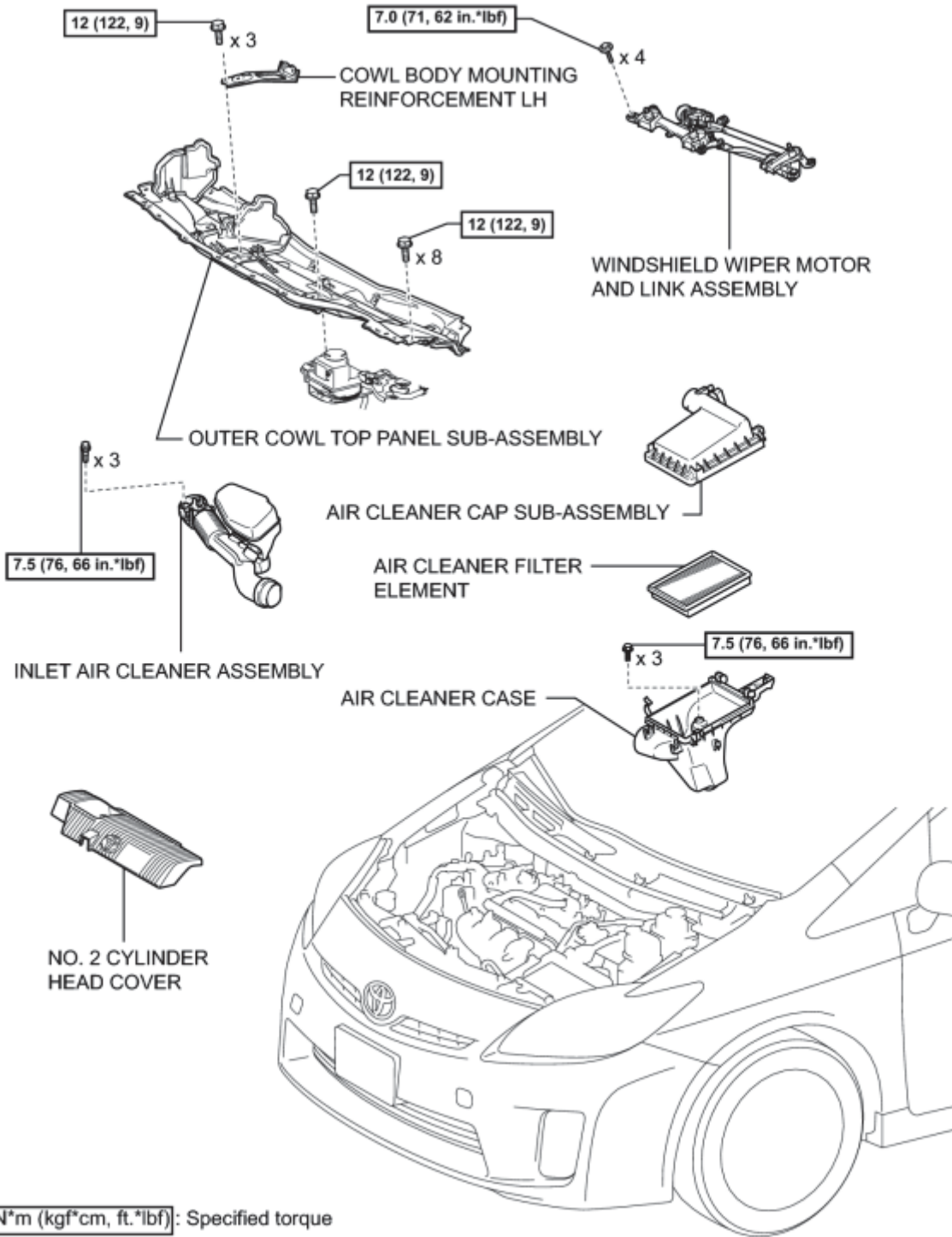
(g) Connect the connector, wire harness clamp and 4 water hoses.



2. INSTALL EGR PIPE ASSEMBLY_ [INFO](#)
3. INSTALL AIR CLEANER CASE_ [INFO](#)
4. INSTALL INLET AIR CLEANER ASSEMBLY_ [INFO](#)
5. INSTALL AIR CLEANER CAP SUB-ASSEMBLY_ [INFO](#)
6. INSTALL NO. 2 CYLINDER HEAD COVER_ [INFO](#)
7. ADD COOLANT (for Engine)_ [INFO](#)
8. INSPECT FOR COOLANT LEAK (for Engine)_ [INFO](#)
9. INSTALL OUTER COWL TOP PANEL SUB-ASSEMBLY_ [INFO](#)
10. INSTALL COWL BODY MOUNTING REINFORCEMENT LH_ [INFO](#)
11. INSTALL WINDSHIELD WIPER MOTOR AND LINK ASSEMBLY
 - (a) Install the windshield wiper motor and link assembly [INFO](#).

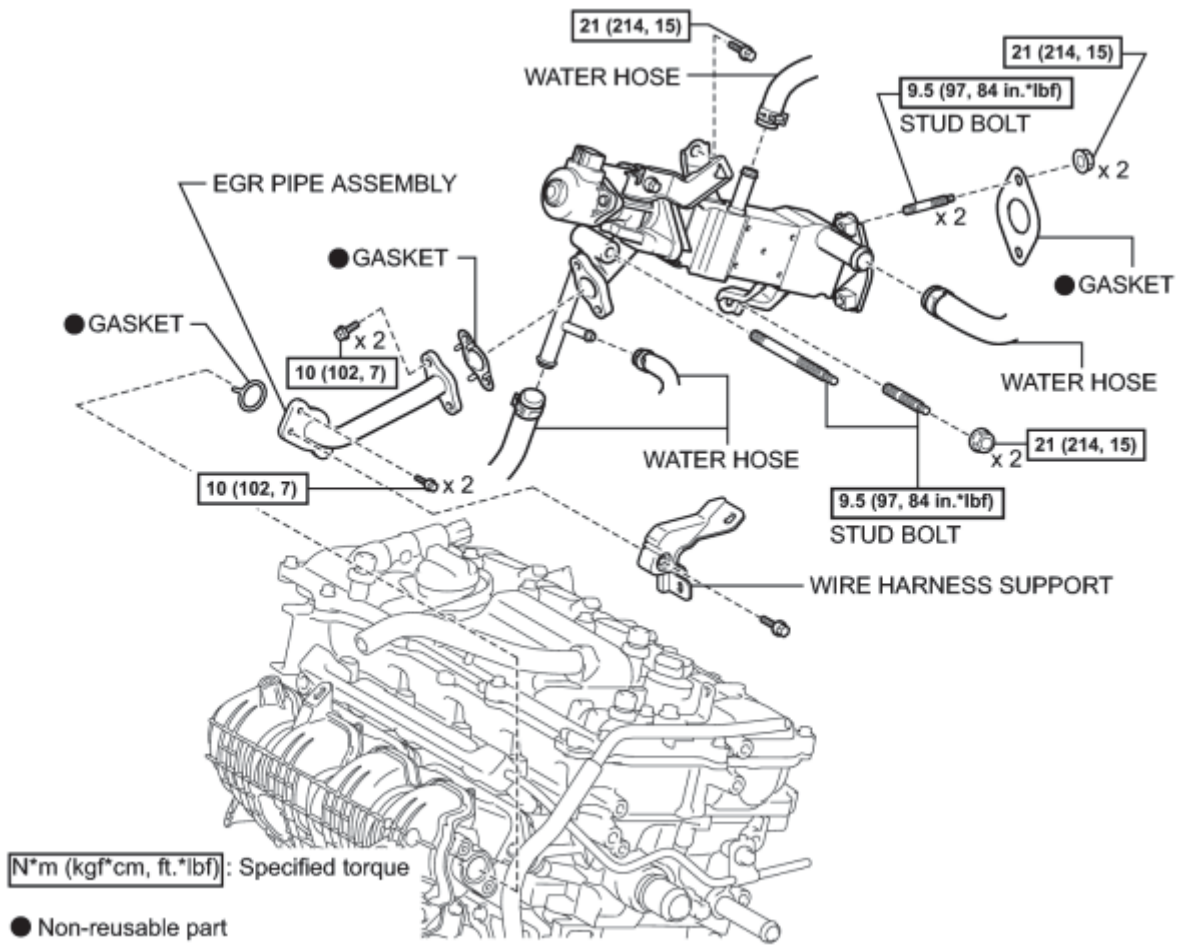
COMPONENTS

ILLUSTRATION



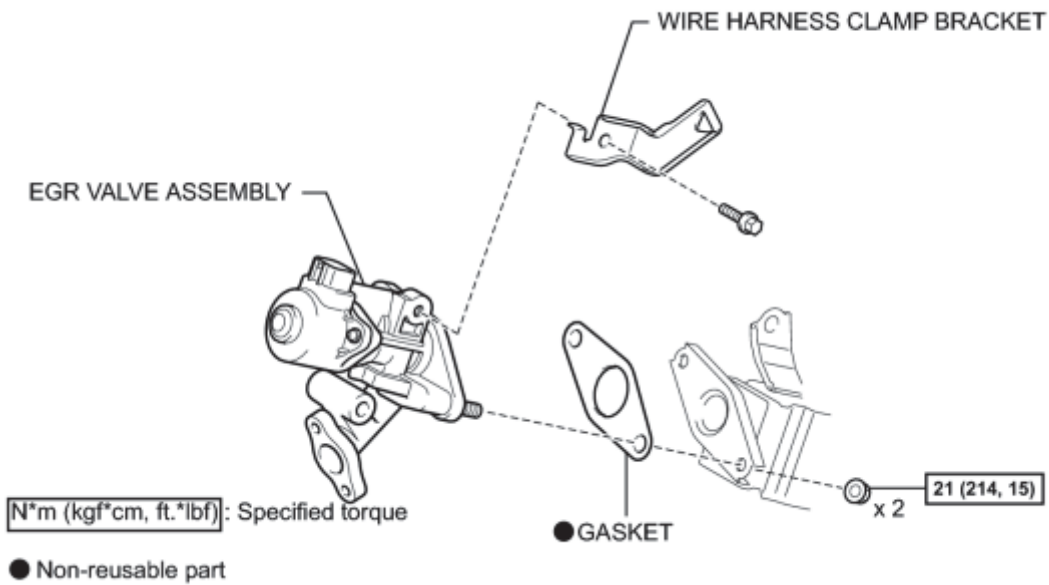
c

ILLUSTRATION



T

ILLUSTRATION



T

REMOVAL

1. REMOVE WINDSHIELD WIPER MOTOR AND LINK ASSEMBLY

(a) Remove the windshield wiper motor and link assembly INFO.

2. REMOVE COWL BODY MOUNTING REINFORCEMENT LH INFO

3. REMOVE OUTER COWL TOP PANEL SUB-ASSEMBLY INFO

4. DRAIN COOLANT (for Engine) INFO

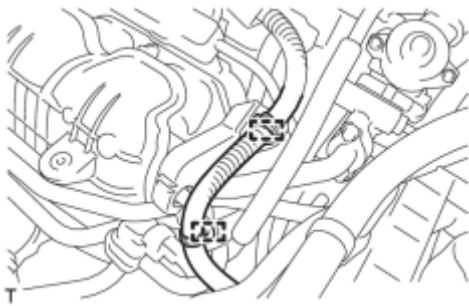
5. REMOVE NO. 2 CYLINDER HEAD COVER INFO

6. REMOVE AIR CLEANER CAP SUB-ASSEMBLY INFO

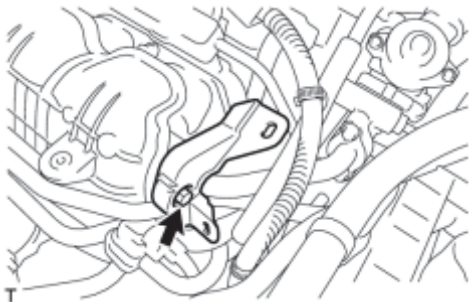
7. REMOVE INLET AIR CLEANER ASSEMBLY INFO

8. REMOVE AIR CLEANER CASE INFO

9. REMOVE EGR PIPE ASSEMBLY

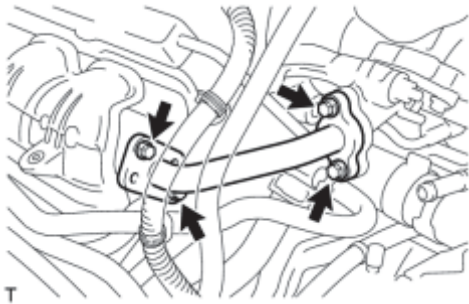


(a) Disconnect the 2 wire harness clamps.



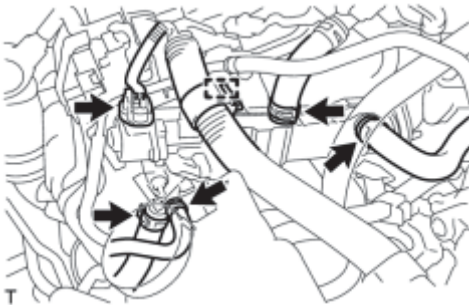
(b) Remove the bolt and wire harness support.

(c) Remove the 4 bolts, EGR pipe assembly and 2 gaskets.



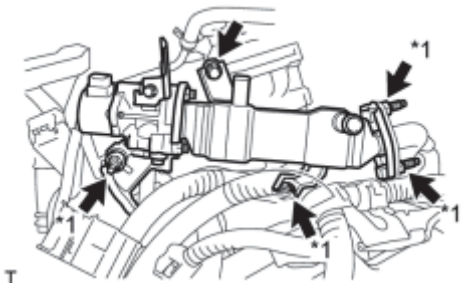
T

10. REMOVE EGR VALVE ASSEMBLY



T

(a) Disconnect the connector, wire harness clamp and 4 water hoses.



T

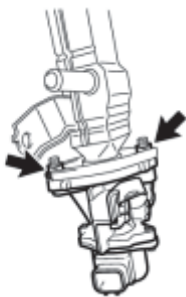
(b) Remove the 4 nuts and bolt.

Text in Illustration

*1	Stud Bolt and Nut
----	-------------------

(c) Using an E8 "TORX" wrench, remove the 4 stud bolts and EGR valve with cooler assembly.

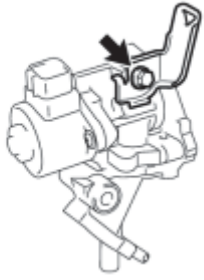
(d) Remove the gasket.



T

(e) Remove the 2 nuts, EGR valve assembly and gasket.

11. REMOVE WIRE HARNESS CLAMP BRACKET



(a) Remove the bolt and wiring harness clamp bracket.

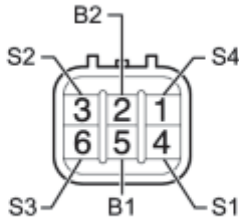
T

INSPECTION

1. INSPECT EGR VALVE ASSEMBLY

(a) Measure the resistance according to the value(s) in the table below.

Standard Resistance

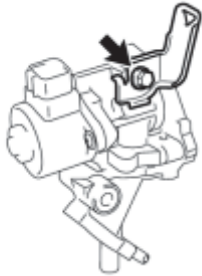


Tester Connection	Condition	Specified Condition
5 (B1) - 4 (S1)	20°C (68°F)	18 to 22 Ω
5 (B1) - 6 (S3)	20°C (68°F)	18 to 22 Ω
2 (B2) - 1 (S4)	20°C (68°F)	18 to 22 Ω
2 (B2) - 3 (S2)	20°C (68°F)	18 to 22 Ω

If the result is not as specified, replace the EGR valve assembly.

INSTALLATION

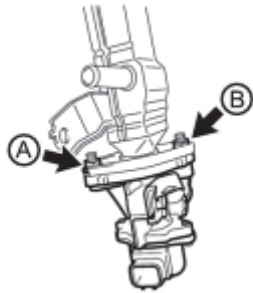
1. INSTALL WIRE HARNESS CLAMP BRACKET



(a) Install the wiring harness clamp bracket with the bolt.

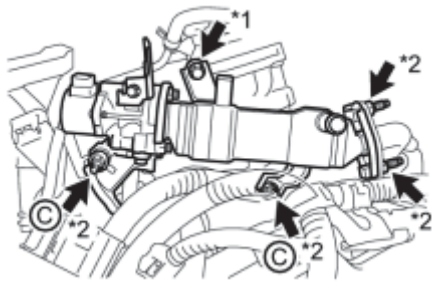
T

2. INSTALL EGR VALVE ASSEMBLY



(a) Temporarily install the EGR valve assembly with the 2 nuts (A and B).

Text in Illustration



*1	Bolt
*2	Stud Bolt and Nut

(b) Set a new gasket and EGR valve with cooler assembly.

(c) Using an E8 "TORX" wrench, install the 4 stud bolts.

Torque: **9.5 N·m (97 kgf·cm, 84in·lbf)**

(d) Temporarily install the 2 nuts (C) and bolt.

(e) Tighten the nut (A).

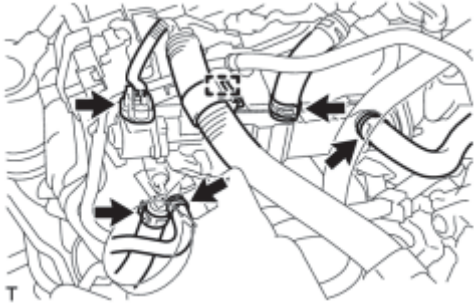
Torque: **21 N·m (214 kgf·cm, 15ft·lbf)**

(f) Tighten the 3 nuts (B and C) and bolt.

Torque: **21 N·m (214 kgf·cm, 15ft·lbf)**

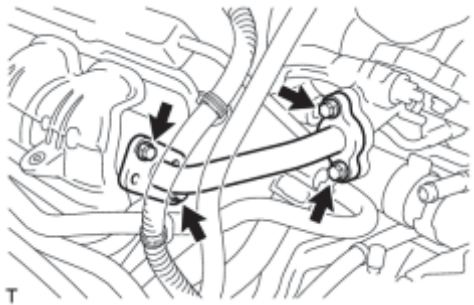
NOTICE:

Make sure that all installation surfaces of the EGR valve with cooler assembly are in even contact when tightening the bolts and nuts.



(g) Connect the connector, wire harness clamp and 4 water hoses.

3. INSTALL EGR PIPE ASSEMBLY

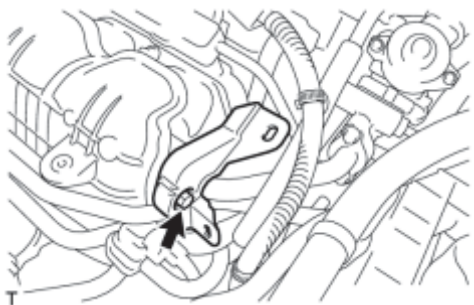


(a) Install 2 new gaskets and EGR pipe assembly with the 4 bolts.

Torque: **10 N·m (102 kgf·cm, 7ft·lbf)**

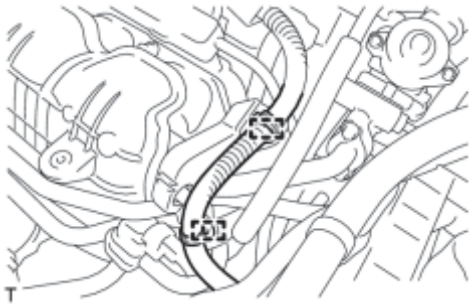
NOTICE:

Make sure to tighten the 4 bolts evenly until the flanges of the EGR pipe assembly contact with the installation surfaces.



(b) Install the wire harness support with the bolt.

(c) Connect the 2 wire harness clamps.



4. INSTALL AIR CLEANER CASE_ INFO
5. INSTALL INLET AIR CLEANER ASSEMBLY_ INFO
6. INSTALL AIR CLEANER CAP SUB-ASSEMBLY_ INFO
7. INSTALL NO. 2 CYLINDER HEAD COVER_ INFO
8. ADD COOLANT (for Engine)_ INFO
9. INSPECT FOR COOLANT LEAK (for Engine)_ INFO
10. INSTALL OUTER COWL TOP PANEL SUB-ASSEMBLY_ INFO
11. INSTALL COWL BODY MOUNTING REINFORCEMENT LH_ INFO
12. INSTALL WINDSHIELD WIPER MOTOR AND LINK ASSEMBLY
 - (a) Install the windshield wiper motor and link assembly INFO.