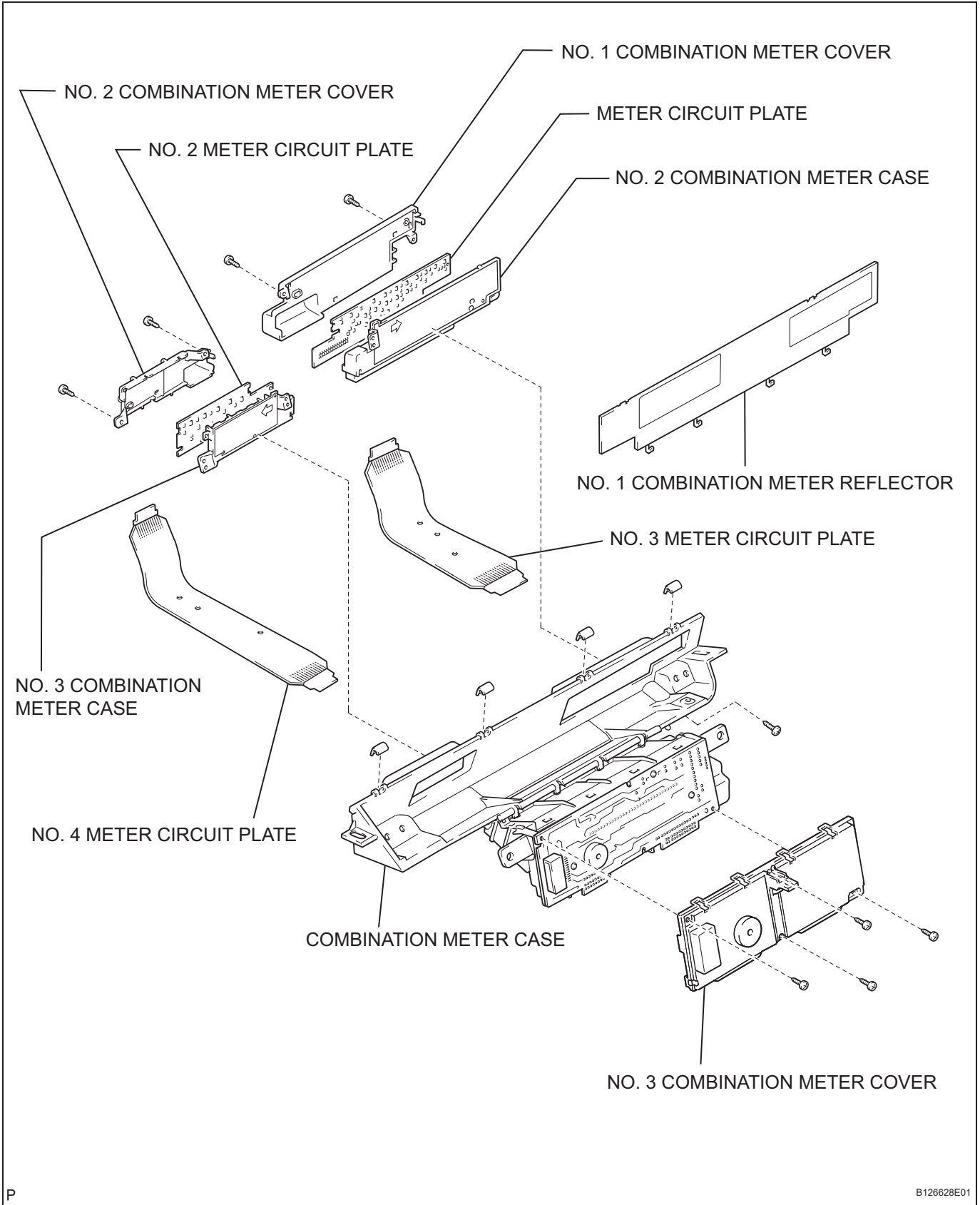


COMBINATION METER

COMPONENTS



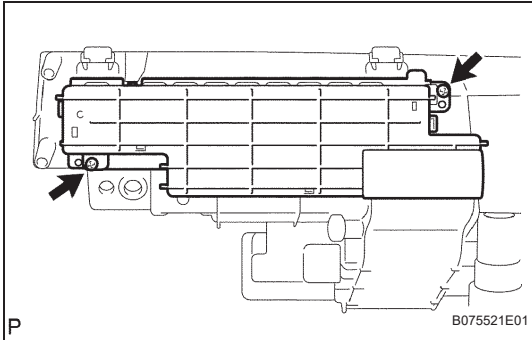
ME

REMOVAL

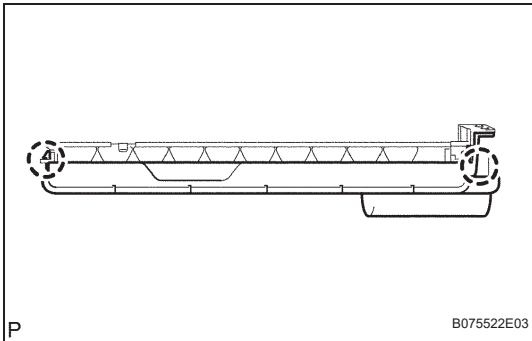
1. **REMOVE INSTRUMENT PANEL SUB-ASSEMBLY**
 - (a) Remove the instrument panel (see page IP-5).
2. **REMOVE COMBINATION METER ASSEMBLY (See page IP-9)**

DISASSEMBLY

1. **REMOVE NO. 1 COMBINATION METER COVER**
 - (a) Remove the 2 screws.



- (b) Detach the 2 claws, and then remove the combination meter cover.

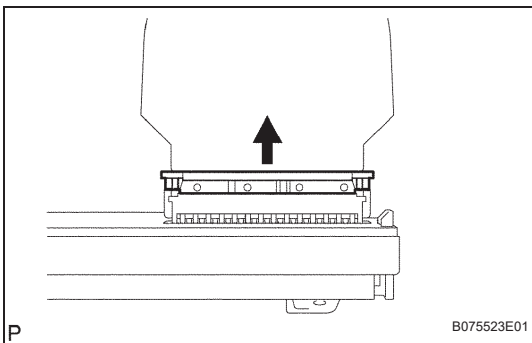


2. **REMOVE METER CIRCUIT PLATE**

NOTICE:

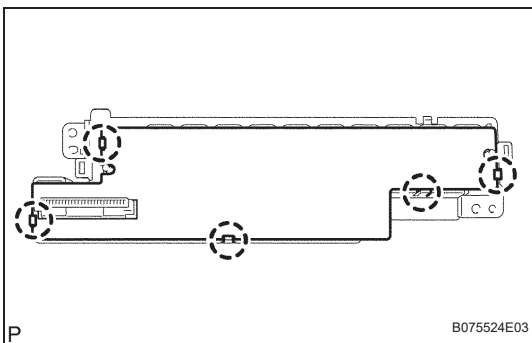
When disassembling the combination meter assembly, eliminate static electricity by touching the vehicle body to prevent the components from being damaged.

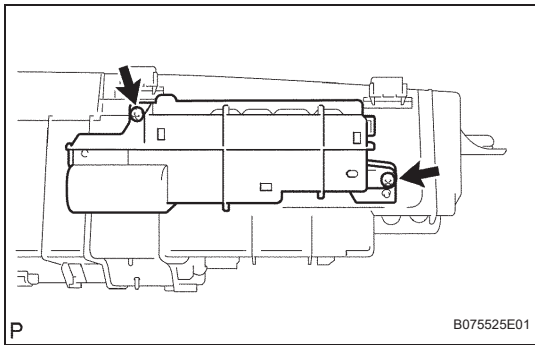
- (a) Pull the connector lock in the direction indicated by the arrow in the illustration and separate the No. 3 meter circuit plate from the meter circuit plate.



- (b) Detach the 5 claws, and then remove the meter circuit plate.

3. **REMOVE NO. 2 COMBINATION METER CASE**



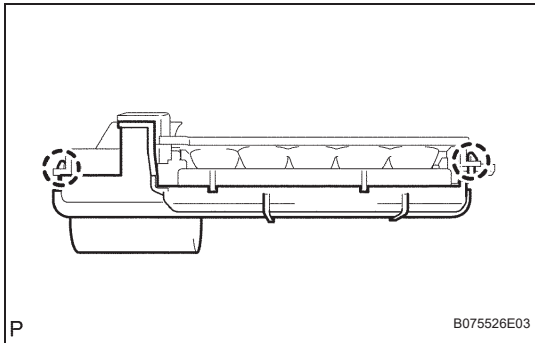


4. REMOVE NO. 2 COMBINATION METER COVER

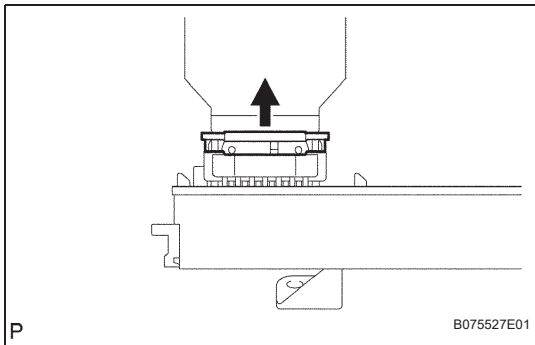
NOTICE:

When disassembling the combination meter assembly, eliminate static electricity by touching the vehicle body to prevent the components from being damaged.

(a) Remove the 2 screws.



(b) Detach the 2 claws, and then remove the combination meter cover.

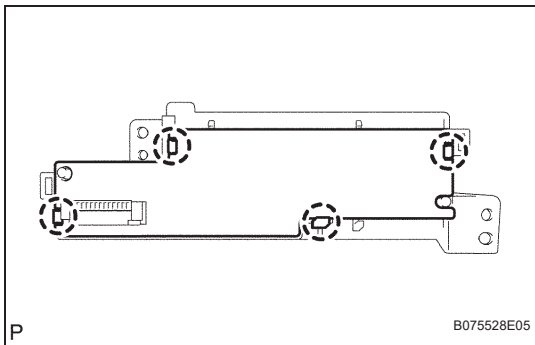


5. REMOVE NO. 2 METER CIRCUIT PLATE

NOTICE:

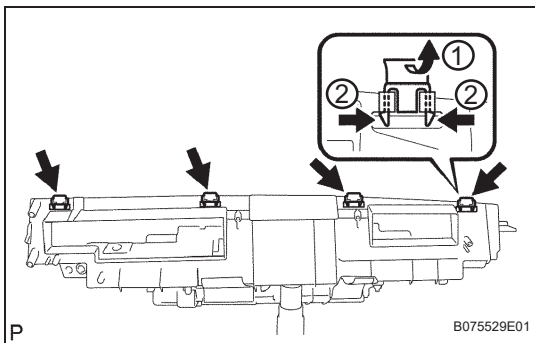
When disassembling the combination meter assembly, eliminate static electricity by touching the vehicle body to prevent the components from being damaged.

(a) Pull the connector lock in the direction indicated by the arrow in the illustration and separate the No. 4 meter circuit plate from the No. 2 meter circuit plate.



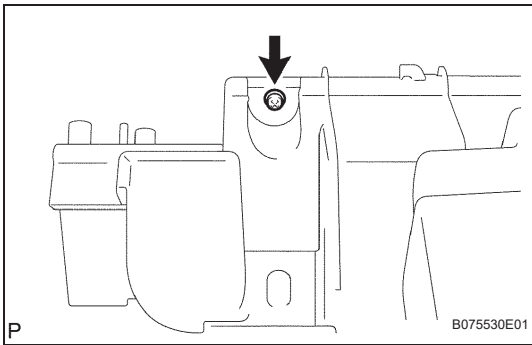
(b) Detach the 4 claws, and then remove the meter circuit plate.

6. REMOVE NO. 3 COMBINATION METER CASE

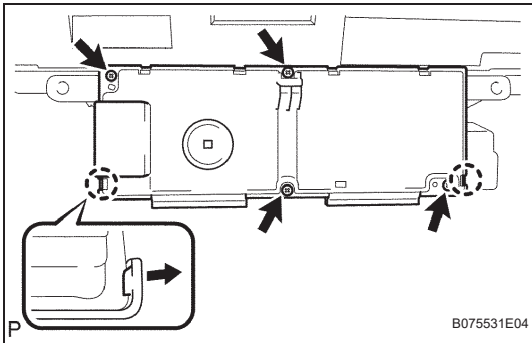


7. REMOVE NO. 1 COMBINATION METER REFLECTOR

(a) Remove the 4 clips.

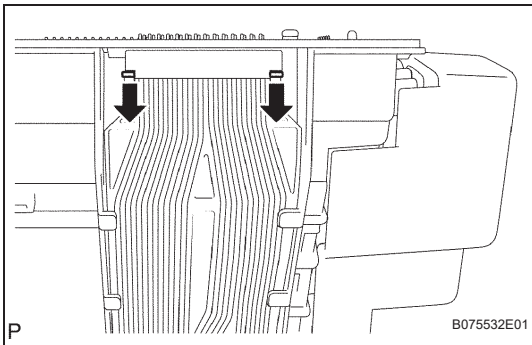


- (b) Remove the screw and combination meter reflector.



8. REMOVE NO. 3 COMBINATION METER COVER

- (a) Remove the 4 screws.
 (b) Release the 2 claws of the cover, as shown in the illustration.
 (c) Raise the cover from the bottom and remove the combination meter cover.

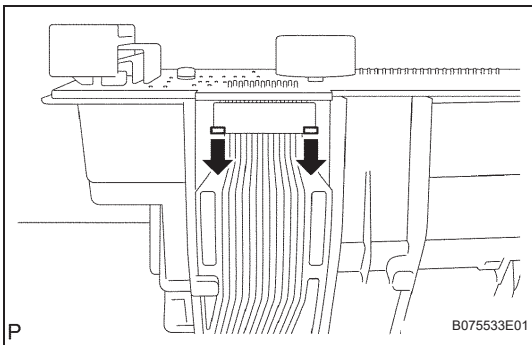


9. REMOVE NO. 3 METER CIRCUIT PLATE

NOTICE:

When disassembling the combination meter assembly, eliminate static electricity by touching the vehicle body to prevent the components from being damaged.

- (a) Pull the connector lock in the direction indicated by the arrow in the illustration, and remove the meter circuit plate.



10. REMOVE NO. 4 METER CIRCUIT PLATE

NOTICE:

When disassembling the combination meter assembly, eliminate static electricity by touching the vehicle body to prevent the components from being damaged.

- (a) Pull the connector lock in the direction indicated by the arrow in the illustration, and remove the meter circuit plate.

11. REMOVE COMBINATION METER CASE

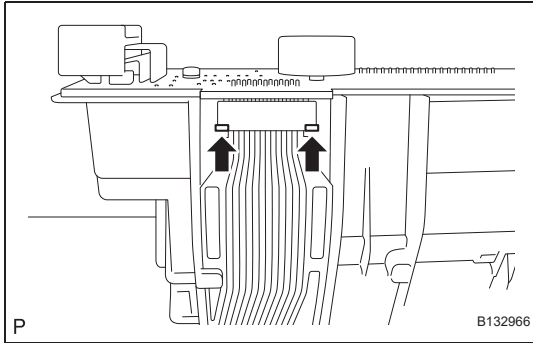
REASSEMBLY

1. INSTALL COMBINATION METER CASE
2. INSTALL NO. 4 METER CIRCUIT PLATE

NOTICE:

When reassembling the combination meter assembly, eliminate static electricity by touching the vehicle body to prevent the components from being damaged.

- (a) Push the connector lock in the direction indicated by the arrow in the illustration, and install the meter circuit plate.

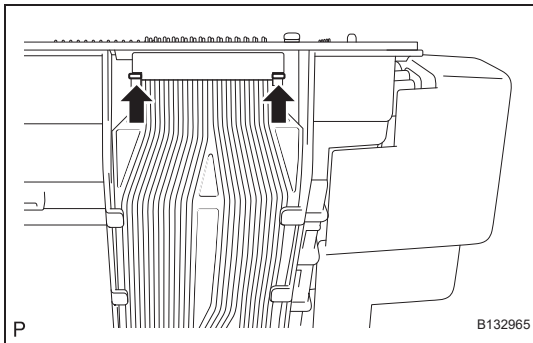


3. INSTALL NO. 3 METER CIRCUIT PLATE

NOTICE:

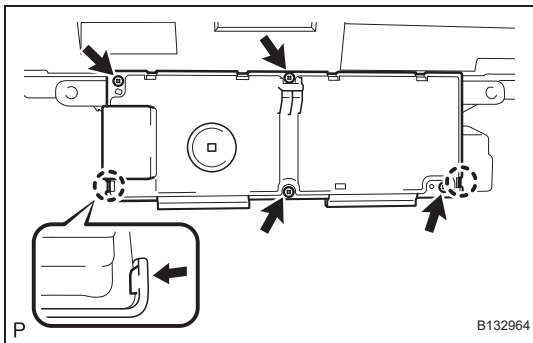
When reassembling the combination meter assembly, eliminate static electricity by touching the vehicle body to prevent the components from being damaged.

- (a) Push the connector lock in the direction indicated by the arrow in the illustration, and install the meter circuit plate.



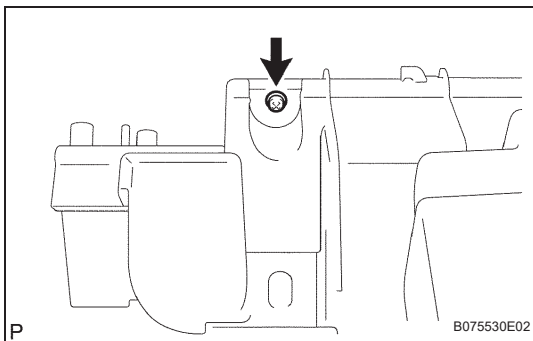
4. INSTALL NO. 3 COMBINATION METER COVER

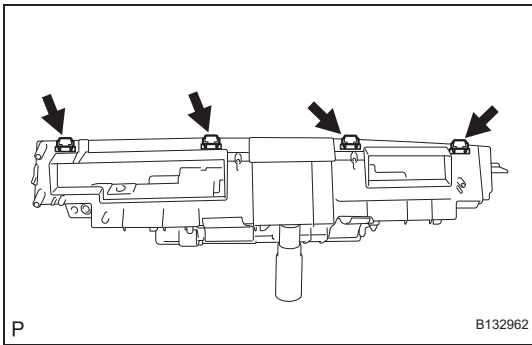
- (a) Attach the 2 claws to install the combination meter cover.
- (b) Install the 4 screws.



5. INSTALL NO. 1 COMBINATION METER REFLECTOR

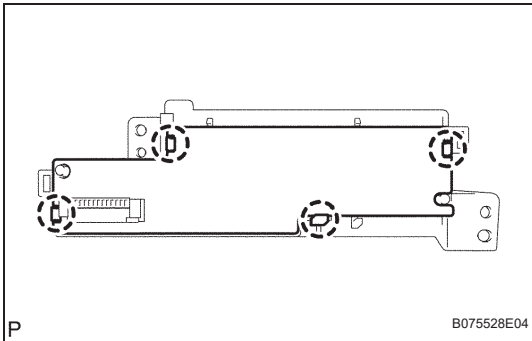
- (a) Install the combination reflector with the screw.





(b) Install the 4 clips.

6. INSTALL NO. 3 COMBINATION METER CASE

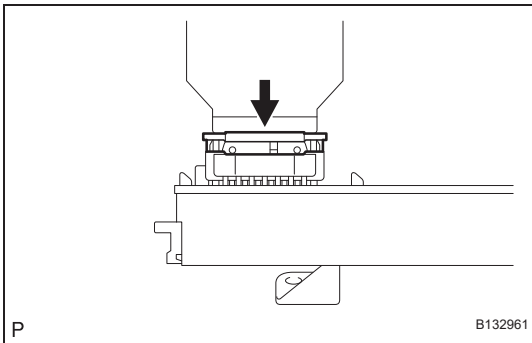


7. INSTALL NO. 2 METER CIRCUIT PLATE

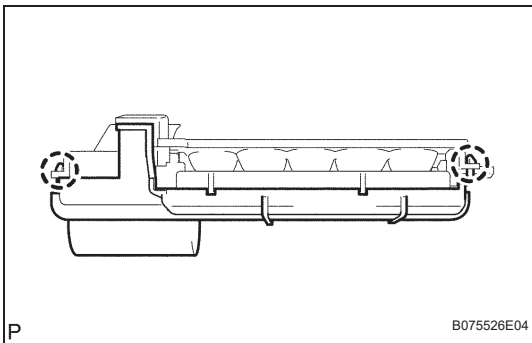
NOTICE:

When reassembling the combination meter assembly, eliminate static electricity by touching the vehicle body to prevent the components from being damaged.

(a) Attach the 4 claws to install the meter circuit plate.



(b) Push the connector lock in the direction indicated by the arrow in the illustration and install the No. 4 meter circuit plate from the No. 2 meter circuit plate.

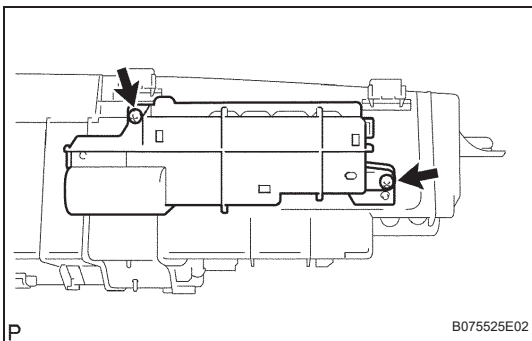


8. INSTALL NO. 2 COMBINATION METER COVER

NOTICE:

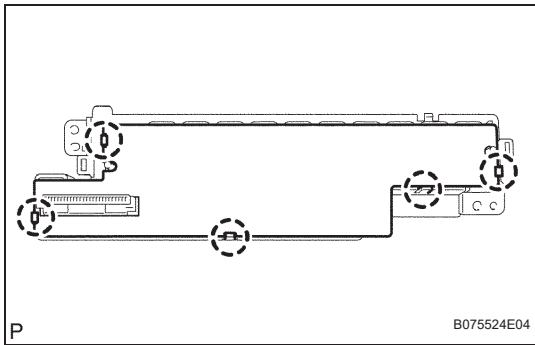
When reassembling the combination meter assembly, eliminate static electricity by touching the vehicle body to prevent the components from being damaged.

(a) Attach the 2 claws to install the combination meter cover.



(b) Install the 2 screws.

9. INSTALL NO. 2 COMBINATION METER CASE

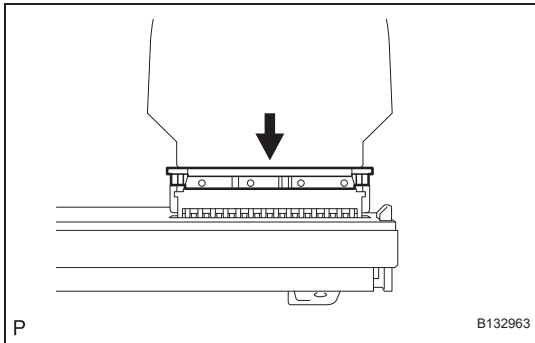


10. INSTALL METER CIRCUIT PLATE

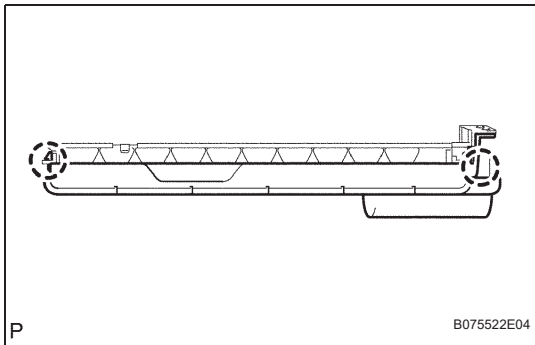
NOTICE:

When reassembling the combination meter assembly, eliminate static electricity by touching the vehicle body to prevent the components from being damaged.

(a) Attach the 5 claws to install the meter circuit plate.

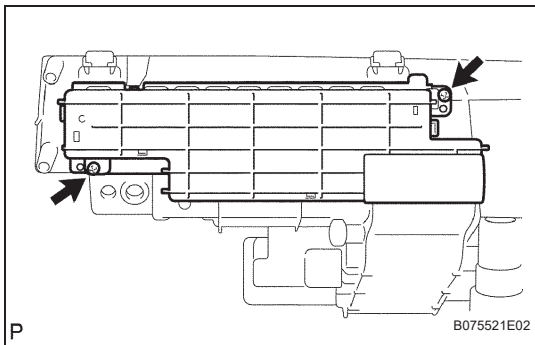


(b) Push the connector lock in the direction indicated by the arrow in the illustration and install the No. 3 meter circuit plate to the meter circuit plate.



11. INSTALL NO. 1 COMBINATION METER COVER

(a) Attach the 2 claws to install the combination meter cover.



(b) Install the 2 screws.

INSTALLATION

1. **INSTALL COMBINATION METER ASSEMBLY** (See page [IP-10](#))
2. **INSTALL INSTRUMENT PANEL SUB-ASSEMBLY**
 - (a) Install the instrument panel (see page [IP-11](#)).

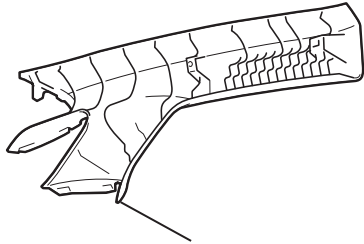
INSTRUMENT PANEL SAFETY PAD

PRECAUTION

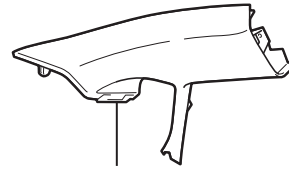
1. **PRECAUTION FOR VEHICLE WITH SRS AIRBAG AND SEAT BELT PRETENSIONER**
 - (a) Some operations in this section may affect the SRS airbags. Prior to performing the corresponding operations, read the SRS airbag NOTICE (see page [RS-1](#)).

COMPONENTS

NO. 1 INSTRUMENT PANEL SPEAKER PANEL SUB-ASSEMBLY (w/ JBL Sound System)



FRONT PILLAR GARNISH LH



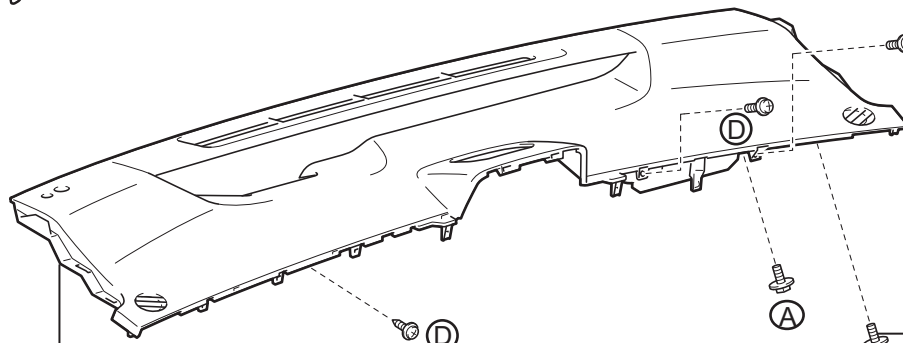
FRONT PILLAR GARNISH RH



FRONT PILLAR GARNISH CORNER PIECE RH

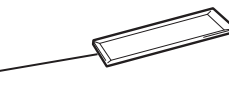


FRONT PILLAR GARNISH CORNER PIECE LH



INSTRUMENT PANEL SAFETY PAD

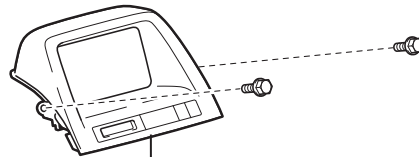
20 (204, 15)



INSTRUMENT CLUSTER FINISH PANEL END



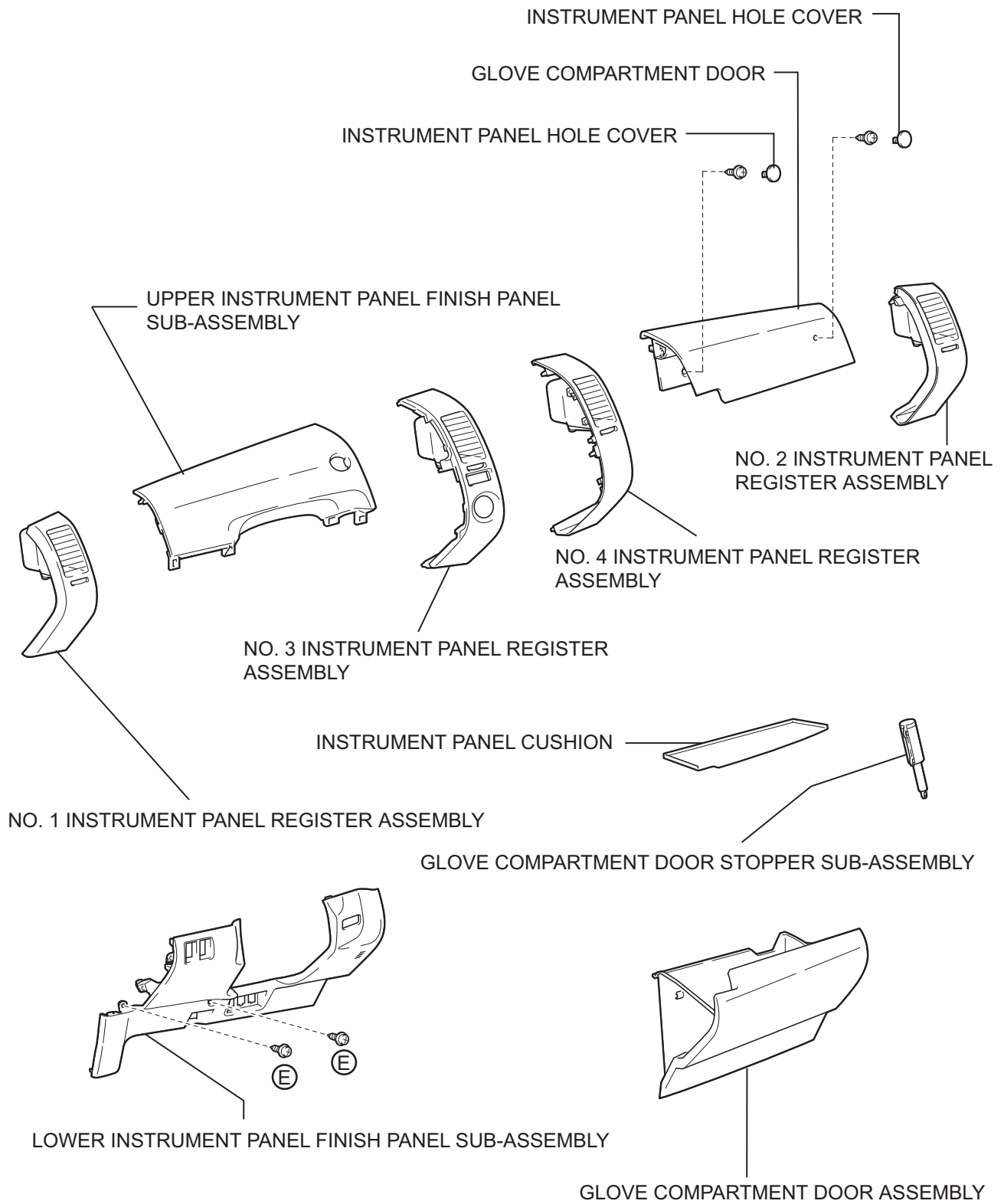
CLOCK ASSEMBLY

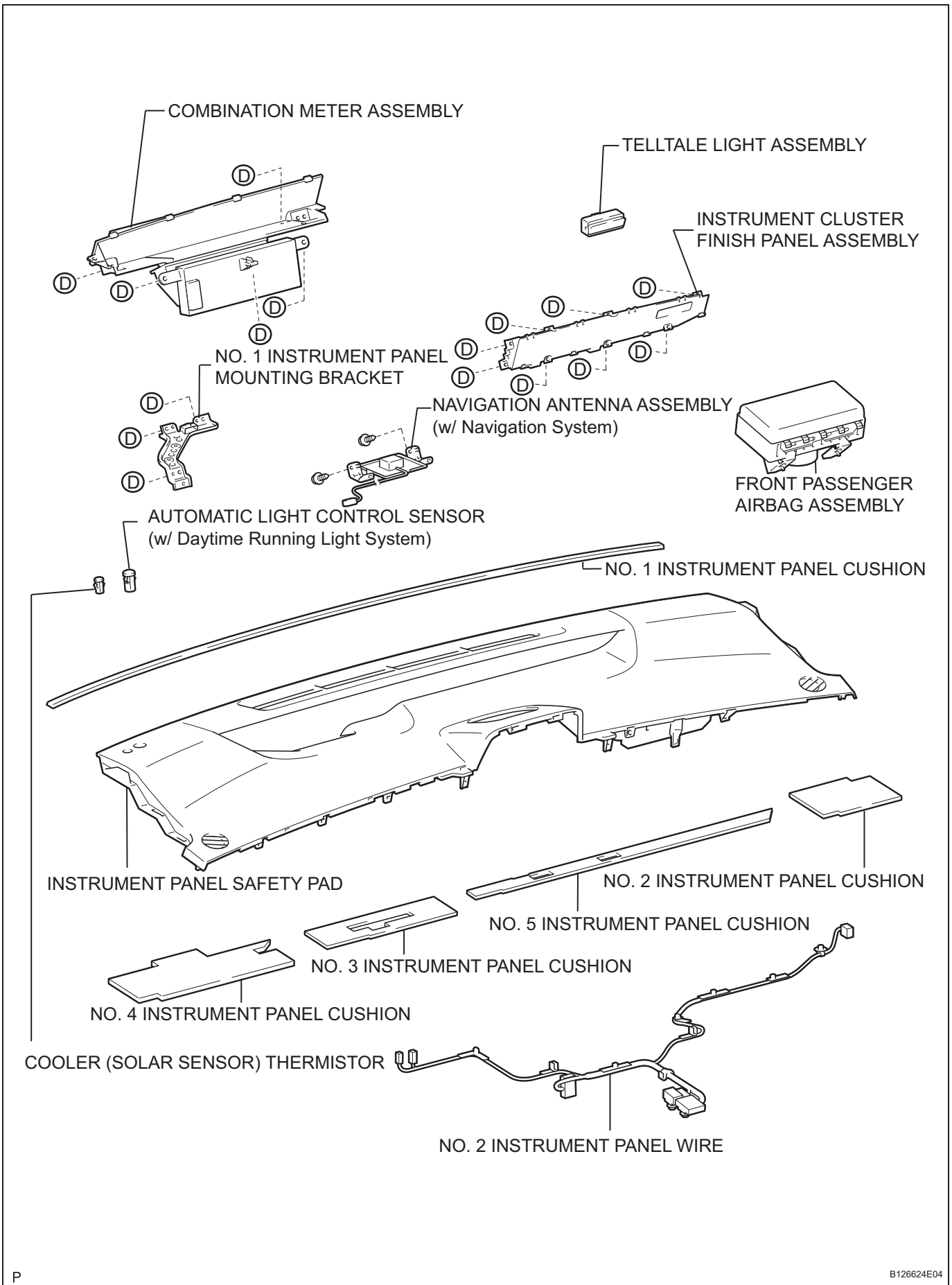


MULTI-DISPLAY ASSEMBLY

N*m (kgf*cm, ft.*lbf) : Specified torque

IP





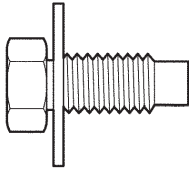
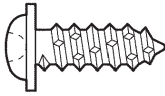
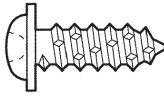
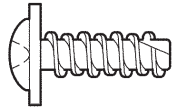
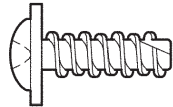
REMOVAL

1. TABLE OF BOLT, SCREW AND NUT

HINT:

All bolts, screws and nuts relevant to installing and removing the instrument panel are shown along with an alphabetical code in the table below.

mm (in.) (L = Length)

Code	Shape	Code	Shape	Code	Shape
<A>	 <p>φ= 8 (0.31) L=20 (0.79)</p> <p>91633-60820</p>		 <p>φ= 5 (0.20) L=16 (0.63)</p> <p>B30768 93567- 15016</p>	<C>	 <p>φ= 5 (0.20) L=14 (0.55)</p> <p>B50922 93567- 55014</p>
<D>	 <p>φ= 5 (0.20) L=14 (0.55)</p> <p>93568-55014</p>	<E>	 <p>φ= 5 (0.20) L=18 (0.71)</p> <p>93568-55018</p>		

P B074072E03

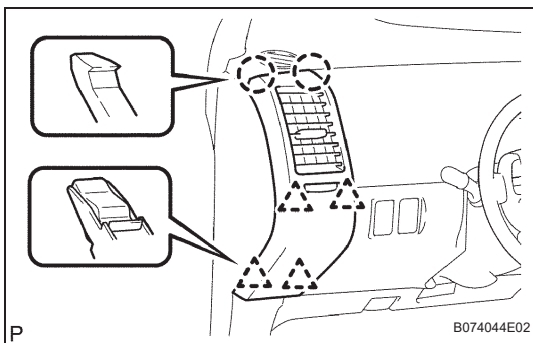
2. DISCONNECT CABLE FROM NEGATIVE BATTERY TERMINAL

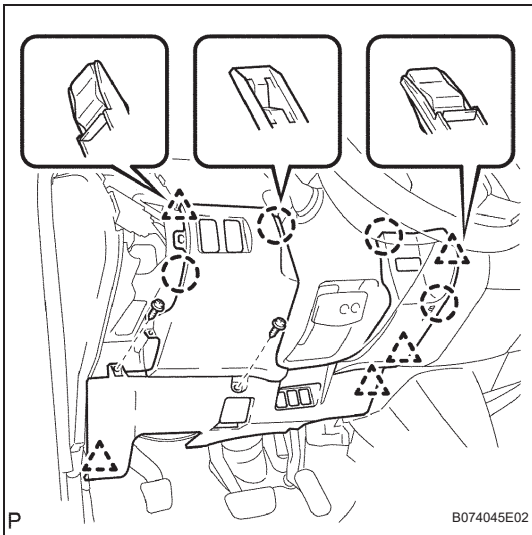
CAUTION:

Wait at least 90 seconds after disconnecting the cable from the negative (-) battery terminal to prevent airbag and seat belt pretensioner activation.

3. REMOVE NO. 1 INSTRUMENT PANEL REGISTER ASSEMBLY

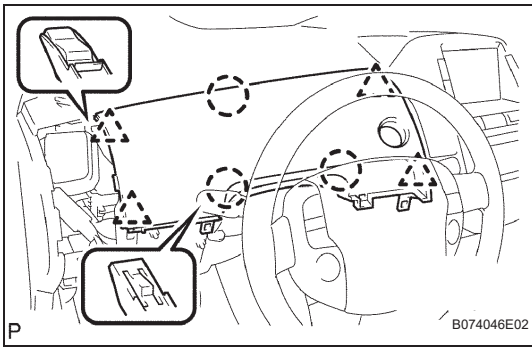
- (a) Detach the 2 claws and 4 clips, and remove the instrument panel register.





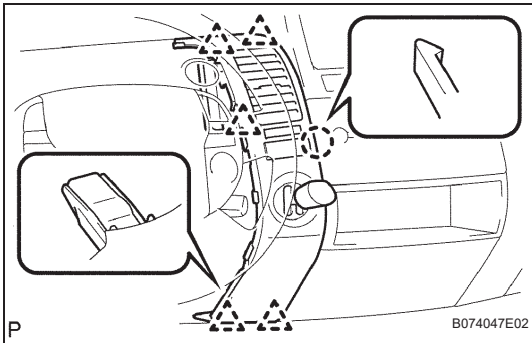
4. REMOVE LOWER INSTRUMENT PANEL FINISH PANEL SUB-ASSEMBLY

- (a) Remove the 2 screws.
- (b) Disconnect the hood lock control cable.
- (c) Detach the 4 claws and 5 clips.
- (d) Disconnect all connectors and remove the instrument panel finish panel.



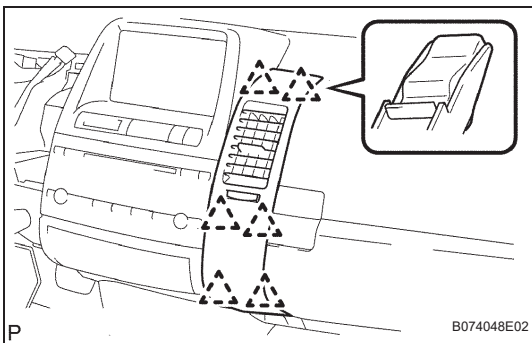
5. REMOVE UPPER INSTRUMENT PANEL FINISH PANEL SUB-ASSEMBLY

- (a) Detach the 3 claws and 4 clips.
- (b) Disconnect the connector and remove the instrument panel finish panel.



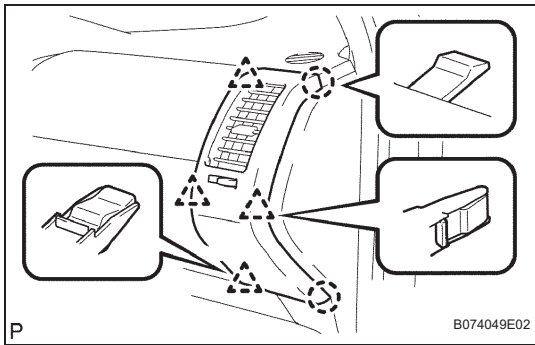
6. REMOVE NO. 3 INSTRUMENT PANEL REGISTER ASSEMBLY

- (a) Detach the claw and 5 clips.
- (b) Disconnect the connector and remove the instrument panel register.



7. REMOVE NO. 4 INSTRUMENT PANEL REGISTER ASSEMBLY

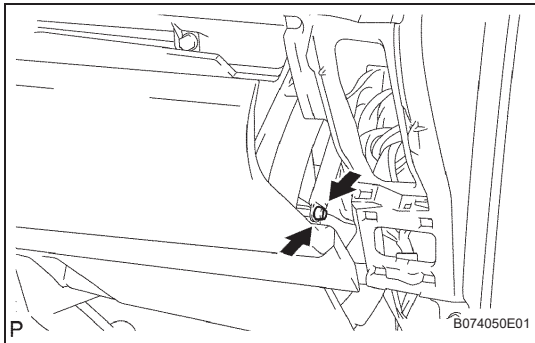
- (a) Detach the 6 clips and remove the instrument panel register.



8. REMOVE NO. 2 INSTRUMENT PANEL REGISTER ASSEMBLY

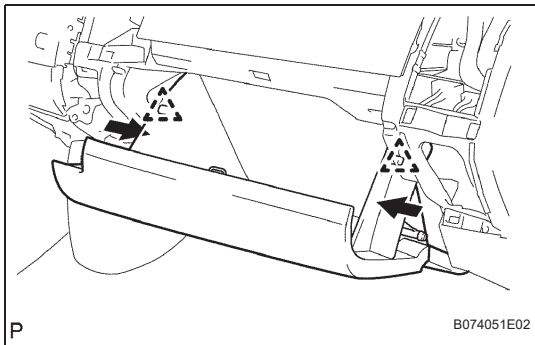
(a) Detach the 2 claws and 4 clips, and remove the instrument panel register.

9. REMOVE MULTI-DISPLAY ASSEMBLY



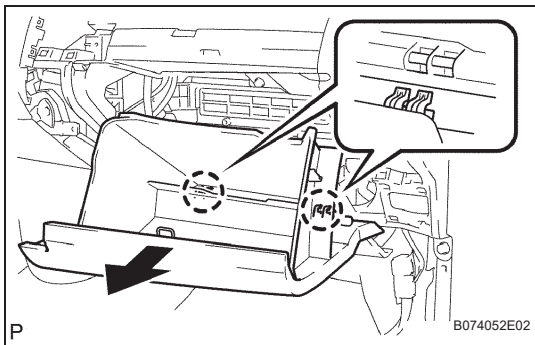
10. REMOVE GLOVE COMPARTMENT DOOR STOPPER SUB-ASSEMBLY

(a) Holding the part indicated in the illustration, remove the glove compartment door stopper from the glove compartment door.



11. REMOVE GLOVE COMPARTMENT DOOR ASSEMBLY

(a) While pushing in the sides of the glove compartment door as indicated by the arrows in the illustration, open the door to release it from the 2 stoppers.
 (b) Open the door until it is horizontal.



(c) Pull the glove compartment door toward the rear of the vehicle to detach the 2 hinges and remove the glove compartment door.

12. REMOVE INSTRUMENT PANEL CUSHION

13. REMOVE INSTRUMENT CLUSTER FINISH PANEL END

14. REMOVE INSTRUMENT PANEL HOLE COVER

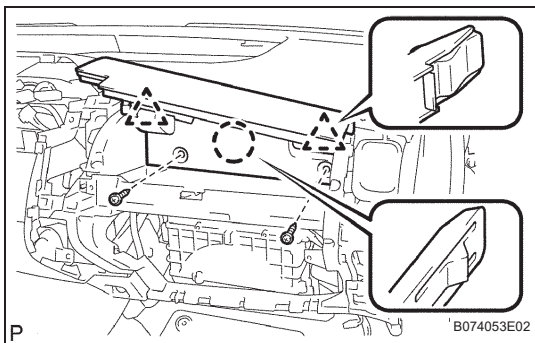
(a) Using a screwdriver, remove the 2 instrument panel hole covers.

15. REMOVE GLOVE COMPARTMENT DOOR

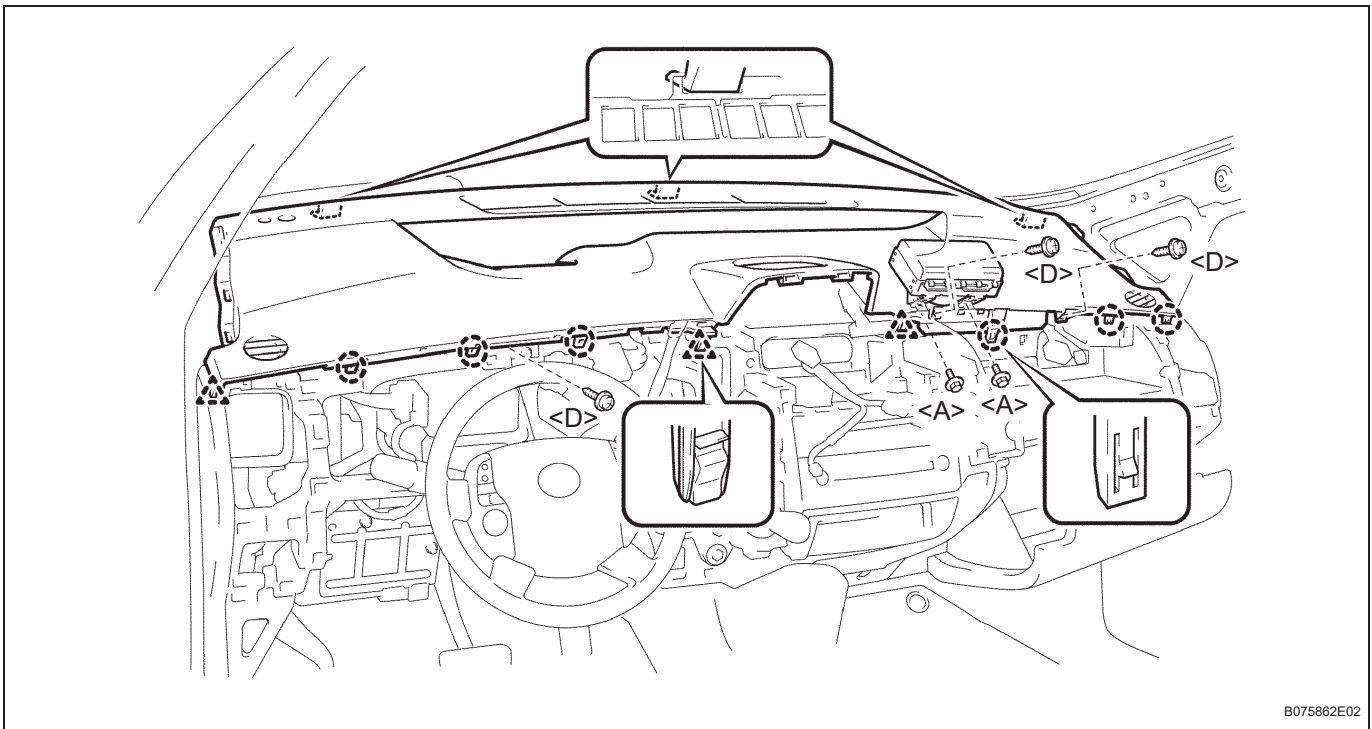
(a) Remove the 2 screws.
 (b) Detach the claw and 2 clips, and remove the glove compartment door.

16. REMOVE NO. 1 INSTRUMENT PANEL SPEAKER PANEL SUB-ASSEMBLY (w/ JBL Sound System)

17. REMOVE FRONT PILLAR GARNISH CORNER PIECE LH (See page IR-19)

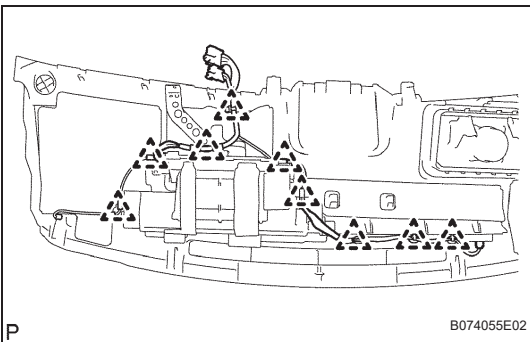


18. REMOVE FRONT PILLAR GARNISH CORNER PIECE RH (See page IR-19)
19. REMOVE FRONT PILLAR GARNISH LH (See page IR-18)
20. REMOVE FRONT PILLAR GARNISH RH (See page IR-18)
21. DISCONNECT PASSENGER AIRBAG CONNECTOR
22. REMOVE INSTRUMENT PANEL SAFETY PAD
 - (a) Remove the 3 screws.
 - (b) Remove the 2 bolts.
 - (c) Pull up the instrument panel to detach the 6 claws and 3 clips.
 - (d) Remove the instrument panel.



B075862E02

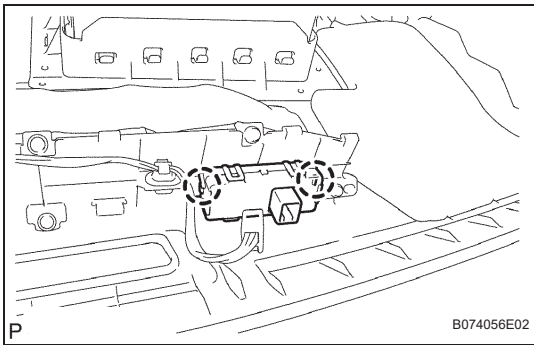
IP



B074055E02

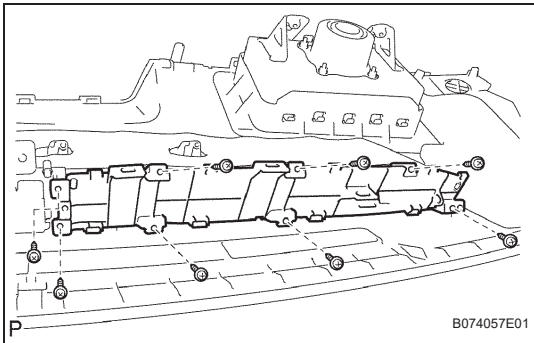
DISASSEMBLY

1. REMOVE NO. 2 INSTRUMENT PANEL WIRE
 - (a) Detach the 9 clamps and remove the instrument panel wire.
2. REMOVE COOLER (SOLAR SENSOR) THERMISTOR
3. REMOVE AUTOMATIC LIGHT CONTROL SENSOR (w/ Daytime Running Light System)



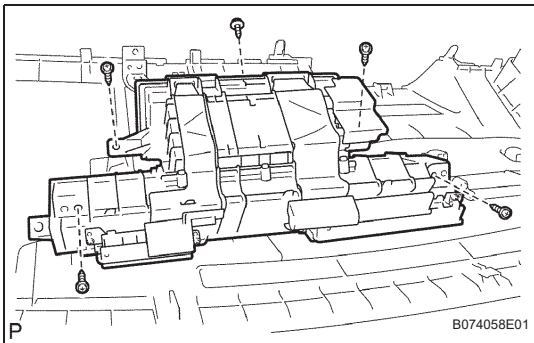
4. REMOVE TELLTALE LIGHT ASSEMBLY

- (a) Detach the 2 claws and remove the telltale light.



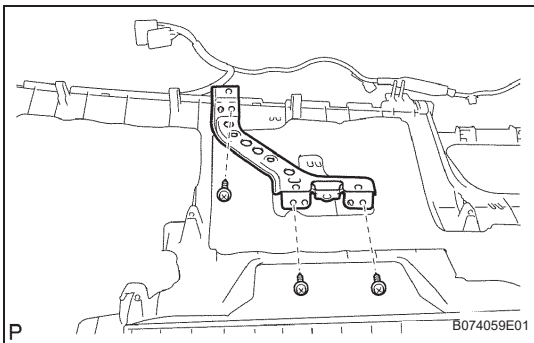
5. REMOVE INSTRUMENT CLUSTER FINISH PANEL ASSEMBLY

- (a) Remove the 8 screws and instrument cluster finish panel.



6. REMOVE COMBINATION METER ASSEMBLY

- (a) Remove the 5 screws and combination meter.



7. REMOVE NO. 1 INSTRUMENT PANEL MOUNTING BRACKET

- (a) Remove the 3 screws and instrument panel mounting bracket.

8. REMOVE NAVIGATION ANTENNA ASSEMBLY (w/ Navigation System)

9. REMOVE FRONT PASSENGER AIRBAG ASSEMBLY

10. REMOVE NO. 1 INSTRUMENT PANEL CUSHION

11. REMOVE NO. 2 INSTRUMENT PANEL CUSHION

12. REMOVE NO. 3 INSTRUMENT PANEL CUSHION

13. REMOVE NO. 4 INSTRUMENT PANEL CUSHION

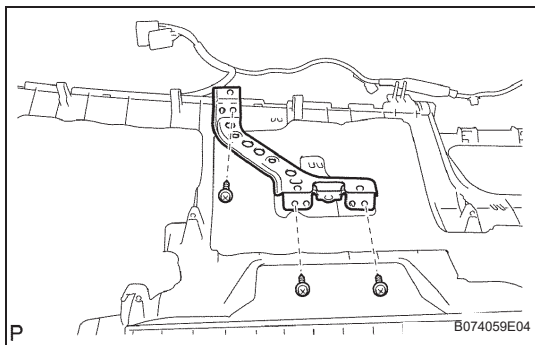
14. REMOVE NO. 5 INSTRUMENT PANEL CUSHION

REASSEMBLY

1. INSTALL NO. 5 INSTRUMENT PANEL CUSHION
2. INSTALL NO. 4 INSTRUMENT PANEL CUSHION
3. INSTALL NO. 3 INSTRUMENT PANEL CUSHION
4. INSTALL NO. 2 INSTRUMENT PANEL CUSHION
5. INSTALL NO. 1 INSTRUMENT PANEL CUSHION
6. INSTALL FRONT PASSENGER AIRBAG ASSEMBLY
7. INSTALL NAVIGATION ANTENNA ASSEMBLY (w/ Navigation System)

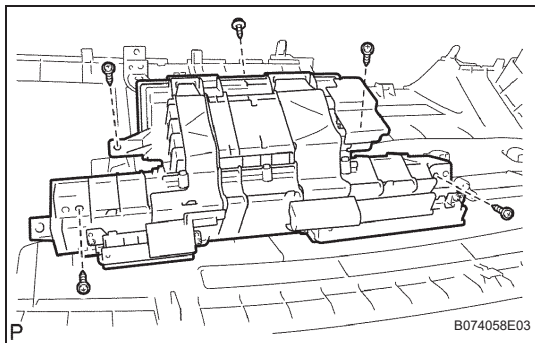
8. **INSTALL NO. 1 INSTRUMENT PANEL MOUNTING BRACKET**

- (a) Install the instrument panel mounting bracket with the 3 screws.



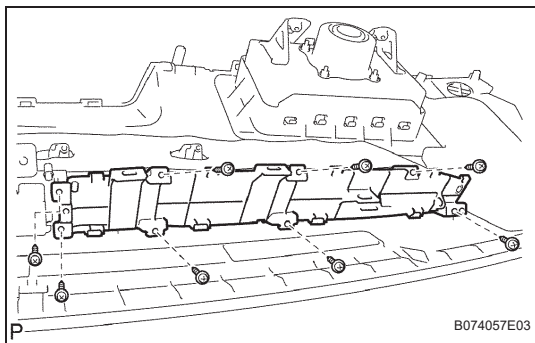
9. **INSTALL COMBINATION METER ASSEMBLY**

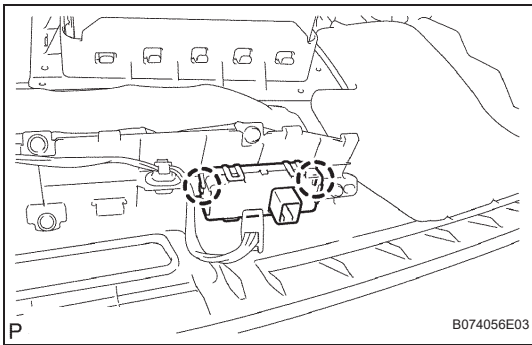
- (a) Install the combination meter with the 5 screws.



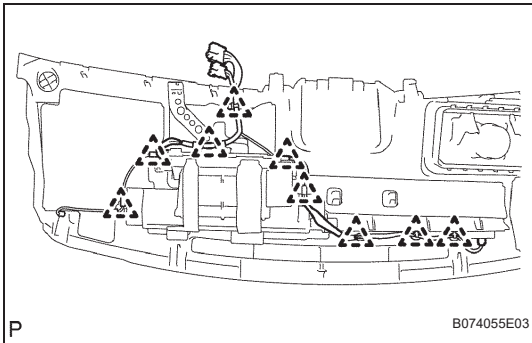
10. **INSTALL INSTRUMENT CLUSTER FINISH PANEL ASSEMBLY**

- (a) Install the instrument cluster finish panel with the 8 screws.



**11. INSTALL TELLTALE LIGHT ASSEMBLY**

(a) Attach the 2 claws to install the telltale light.

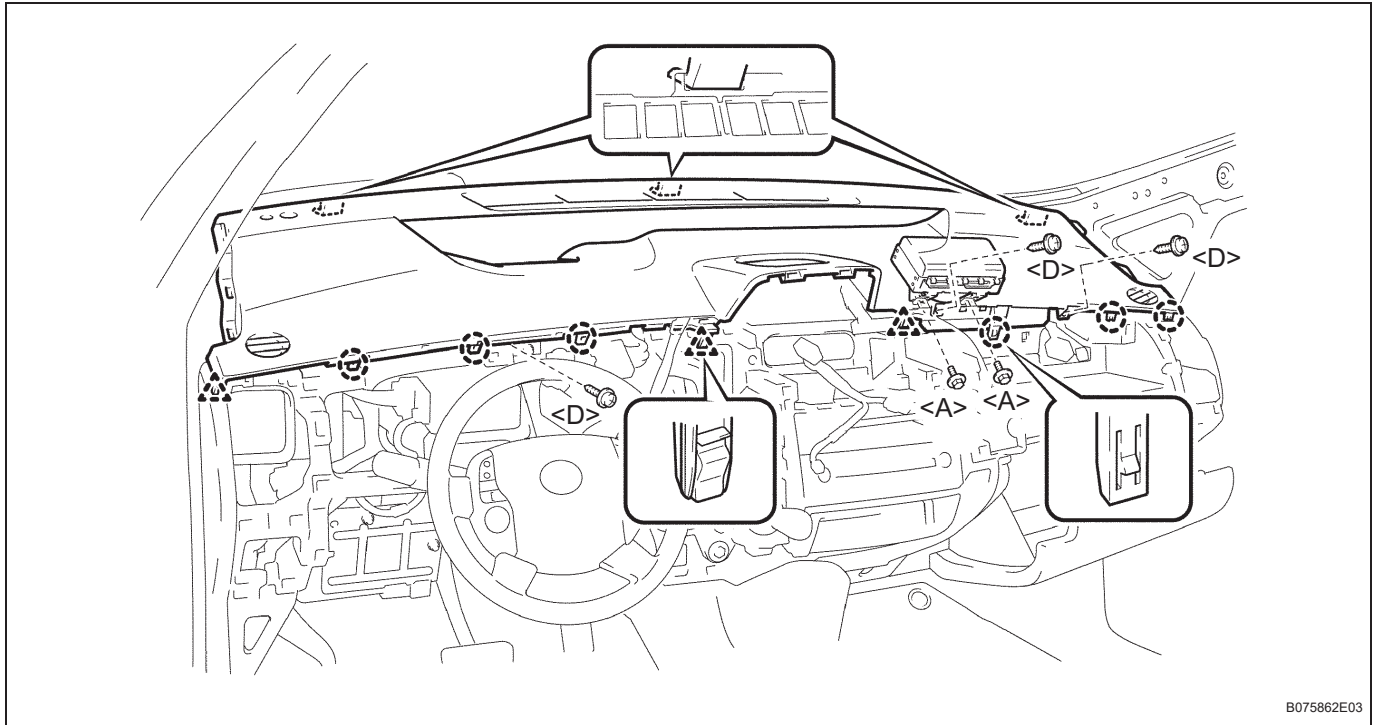
12. INSTALL AUTOMATIC LIGHT CONTROL SENSOR (w/ Daytime Running Light System)**13. INSTALL COOLER (SOLAR SENSOR) THERMISTOR****14. INSTALL NO. 2 INSTRUMENT PANEL WIRE**

(a) Attach the 9 clamps to install the instrument panel wire.

INSTALLATION

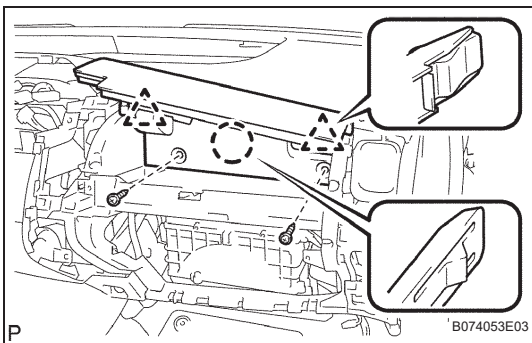
1. INSTALL INSTRUMENT PANEL SAFETY PAD

- (a) Attach the 6 claws and 3 clips to install the instrument panel.
- (b) Install the 2 bolts.
- (c) Install the 3 screws.



B075862E03

2. CONNECT PASSENGER AIRBAG CONNECTOR
3. INSTALL FRONT PILLAR GARNISH LH (See page [IR-18](#))
4. INSTALL FRONT PILLAR GARNISH RH (See page [IR-17](#))
5. INSTALL FRONT PILLAR GARNISH CORNER PIECE LH (See page [IR-19](#))
6. INSTALL FRONT PILLAR GARNISH CORNER PIECE RH (See page [IR-19](#))
7. INSTALL NO. 1 INSTRUMENT PANEL SPEAKER PANEL SUB-ASSEMBLY (w/ JBL Sound System)
8. INSTALL GLOVE COMPARTMENT DOOR
 - (a) Attach the claw and 2 clips to install the glove compartment door.
 - (b) Install the 2 screws.
9. INSTALL INSTRUMENT PANEL HOLE COVER
 - (a) Install the 2 instrument panel hole covers.
10. INSTALL INSTRUMENT CLUSTER FINISH PANEL END
11. INSTALL INSTRUMENT PANEL CUSHION

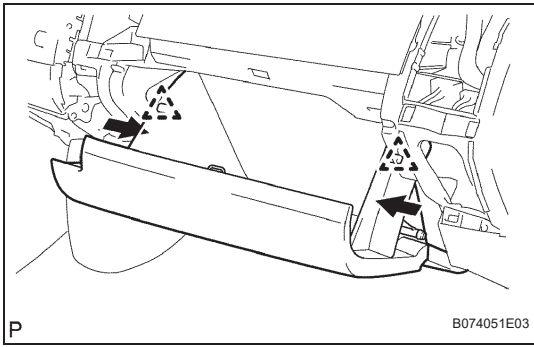


B074053E03

P

12. INSTALL GLOVE COMPARTMENT DOOR ASSEMBLY

- (a) Attach the 2 hinges to install the door.
- (b) While pushing in the sides of the glove compartment door as indicated by the arrows in the illustration, engage it to the 2 stoppers.

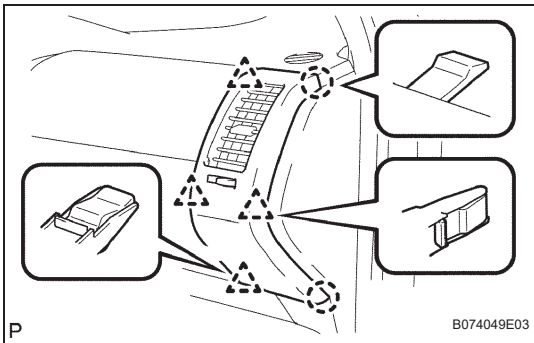


13. INSTALL GLOVE COMPARTMENT DOOR STOPPER SUB-ASSEMBLY

14. INSTALL MULTI-DISPLAY ASSEMBLY

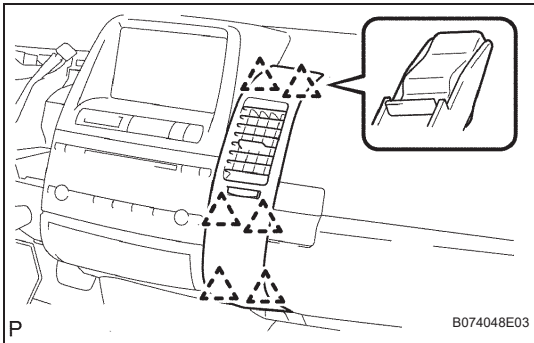
15. INSTALL NO. 2 INSTRUMENT PANEL REGISTER ASSEMBLY

- (a) Attach the 2 claws and 4 clips to install the instrument panel register.



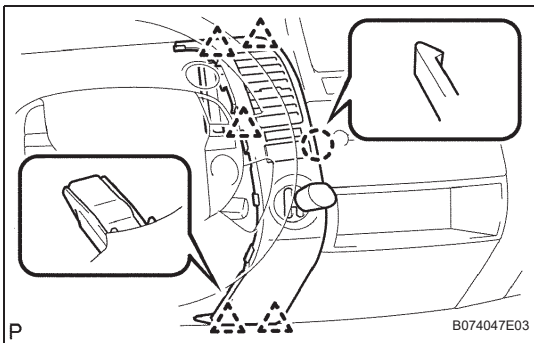
16. INSTALL NO. 4 INSTRUMENT PANEL REGISTER ASSEMBLY

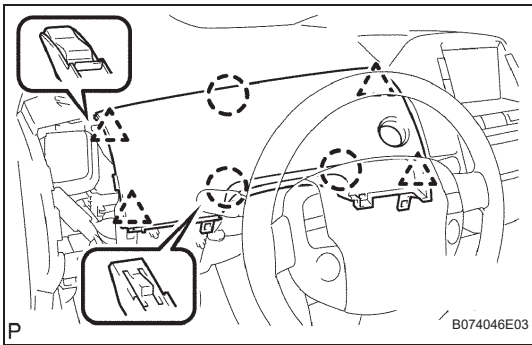
- (a) Attach the 6 clips to install the instrument panel register.



17. INSTALL NO. 3 INSTRUMENT PANEL REGISTER ASSEMBLY

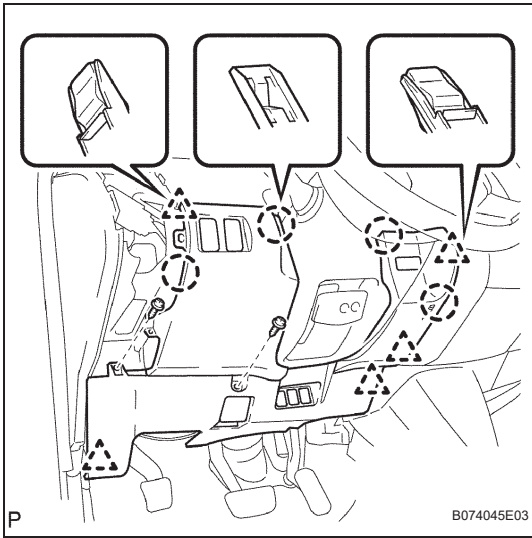
- (a) Connect the connector.
- (b) Attach the claw and 5 clips to install the instrument panel register.





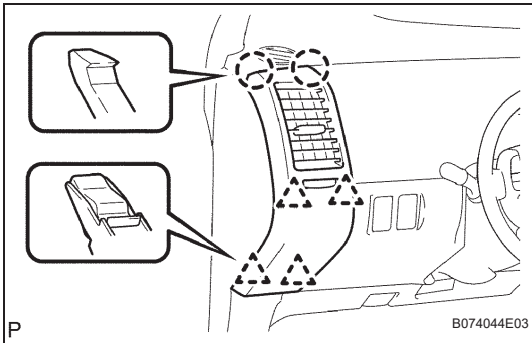
18. INSTALL UPPER INSTRUMENT PANEL FINISH PANEL SUB-ASSEMBLY

- (a) Connect the connector.
- (b) Attach the 3 claws and 4 clips to install the instrument panel finish panel.



19. INSTALL LOWER INSTRUMENT PANEL FINISH PANEL SUB-ASSEMBLY

- (a) Connect the connectors.
- (b) Attach the 4 claws and 5 clips to install the instrument panel finish panel.
- (c) Connect the hood lock control cable.
- (d) Install the 2 screws.



20. INSTALL NO. 1 INSTRUMENT PANEL REGISTER ASSEMBLY

- (a) Attach the 2 claws and 4 clips to install the instrument panel register.

21. CONNECT CABLE TO NEGATIVE BATTERY TERMINAL

22. PERFORM INITIALIZATION

- (a) Perform initialization (see page [IN-32](#)).

NOTICE:

Certain systems need to be initialized after disconnecting and reconnecting the cable from the negative (-) battery terminal.

23. CHECK SRS WARNING LIGHT

- (a) Check the SRS warning light (see page [RS-31](#)).