

REMOVAL

1. REMOVE ENGINE ASSEMBLY WITH TRANSAXLE

HINT: INFO

2. REMOVE FRONT CROSS MEMBER SUB-ASSEMBLY INFO

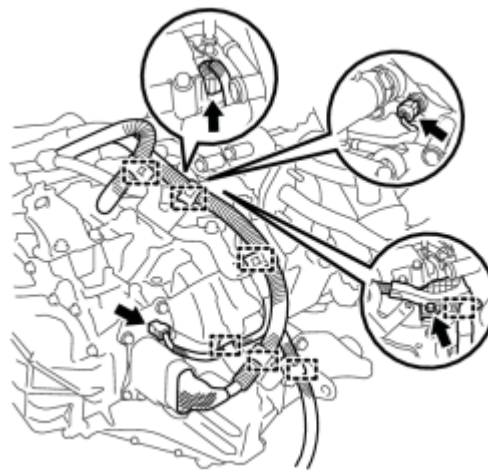
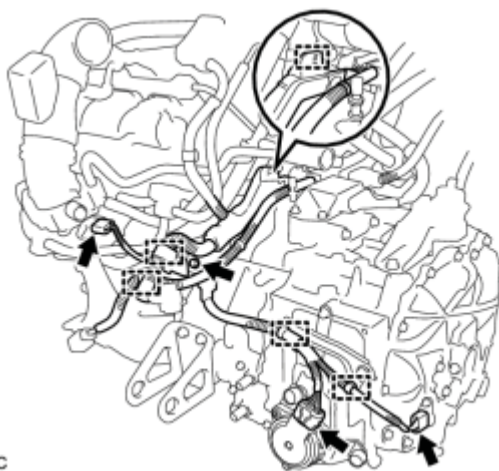
3. REMOVE FRONT ENGINE MOUNTING INSULATOR INFO

4. REMOVE REAR ENGINE MOUNTING INSULATOR INFO

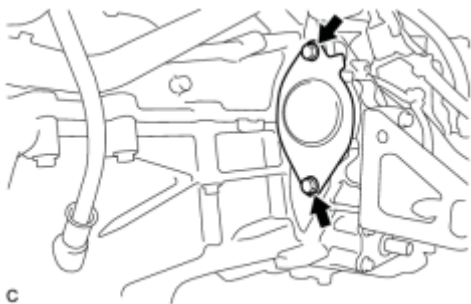
5. REMOVE RADIATOR PIPE INFO

6. DISCONNECT WIRE HARNESS

(a) Remove the 2 bolts and disconnect the 6 connectors and 12 wire harness clamps.

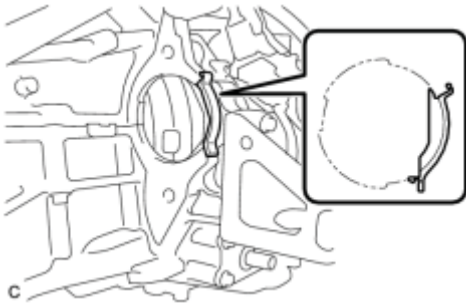


7. REMOVE STARTER HOLE INSULATOR



(a) Remove the 2 bolts and starter hole insulator.

8. REMOVE FLYWHEEL HOUSING SIDE COVER



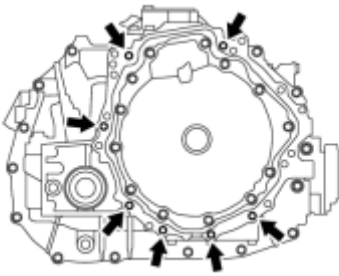
(a) Remove the flywheel housing side cover.

9. REMOVE HYBRID VEHICLE TRANSAXLE ASSEMBLY

(a) Using wood blocks or equivalent, set an engine lifter to the hybrid vehicle transaxle assembly.

NOTICE:

Using a rope, wooden blocks or equivalent, secure the hybrid vehicle transaxle assembly to the engine lifter.



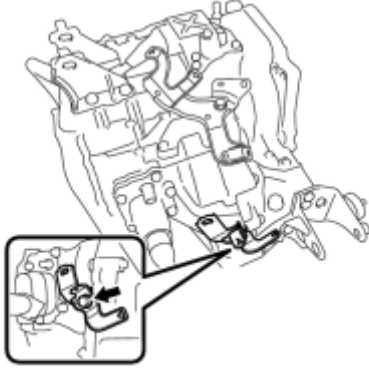
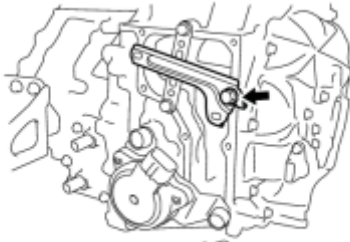
(b) Remove the 7 bolts and hybrid vehicle transaxle assembly.

NOTICE:

To avoid damage to the knock pin, do not pry the connecting portion of the hybrid transaxle and the engine.

10. REMOVE WIRE HARNESS CLAMP BRACKET

(a) Remove the 2 bolts and 2 wire harness clamp brackets.



c

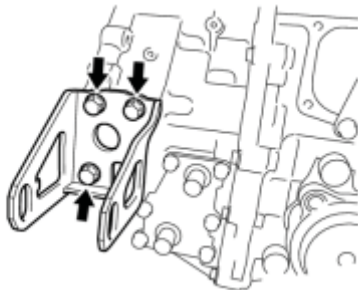
11. REMOVE MOTOR CABLE BRACKET



c

(a) Remove the bolt and motor cable bracket.

12. REMOVE FRONT ENGINE MOUNTING BRACKET

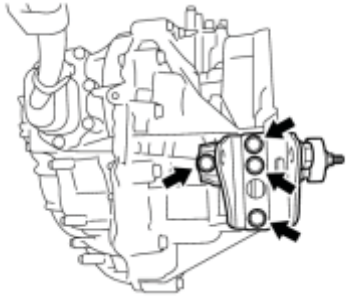


c

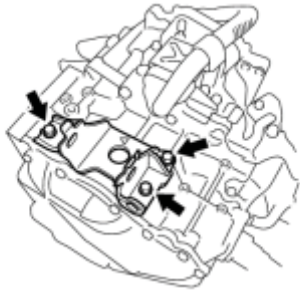
(a) Remove the 3 bolts and front engine mounting bracket.

13. REMOVE REAR ENGINE MOUNTING BRACKET

(a) Remove the 4 bolts and rear engine mounting bracket.



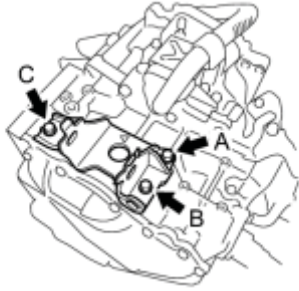
14. REMOVE ENGINE MOUNTING BRACKET LH



(a) Remove the 3 bolts and engine mounting bracket LH.

INSTALLATION

1. INSTALL ENGINE MOUNTING BRACKET LH



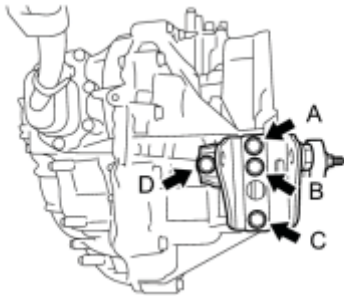
(a) Install the engine mounting bracket LH with 3 new bolts in several steps.

Torque: **64 N·m (653 kgf·cm, 47ft·lbf)**

NOTICE:

Temporarily tighten bolt A, and then fully tighten the 3 bolts in the order of B, C and A.

2. INSTALL REAR ENGINE MOUNTING BRACKET



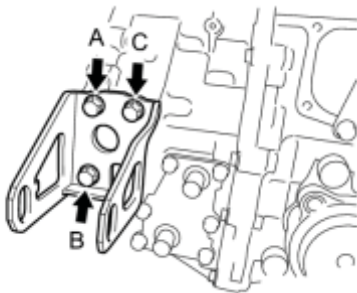
(a) Install the rear engine mounting bracket with the 4 bolts in several steps.

Torque: **45 N·m (459 kgf·cm, 33ft·lbf)**

NOTICE:

Temporarily tighten bolt A, and then fully tighten the 4 bolts in the order of C, B, D and A.

3. INSTALL FRONT ENGINE MOUNTING BRACKET



(a) Install the front engine mounting bracket with the 3 bolts in several steps.

Torque: **64 N·m (653 kgf·cm, 47ft·lbf)**

NOTICE:

Temporarily tighten bolt A, and then fully tighten the 3 bolts in the order of B, C and A.

4. INSTALL MOTOR CABLE BRACKET

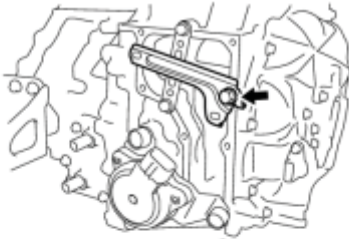
(a) Install the motor cable bracket with the bolt.

Torque: **23 N·m (235 kgf·cm, 17ft·lbf)**

c



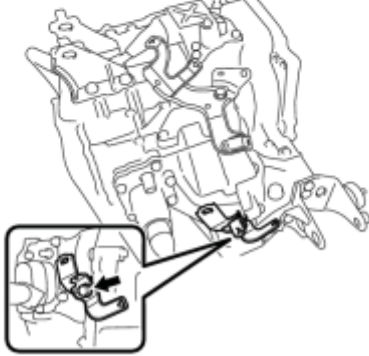
5. INSTALL WIRE HARNESS CLAMP BRACKET



(a) Install the 2 wire harness clamp brackets with the 2 bolts.

Torque: **23 N·m (235 kgf·cm, 17ft·lbf)**

c

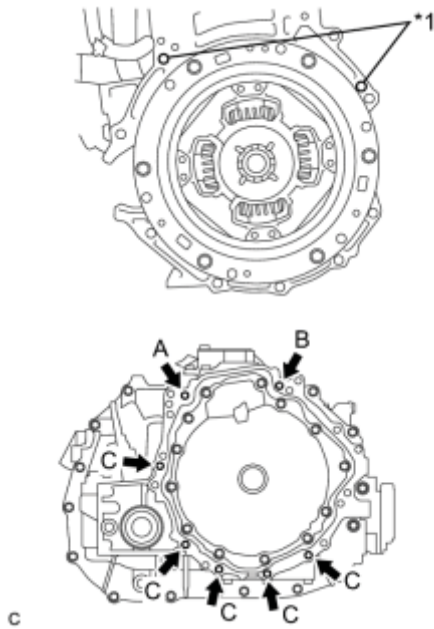


6. INSTALL HYBRID VEHICLE TRANSAXLE ASSEMBLY

(a) Make sure that the knock pins are installed on the engine.

Text in Illustration

| | |
|----|-----------|
| *1 | Knock Pin |
|----|-----------|



(b) Using an engine lifter, align the engine assembly and hybrid vehicle transaxle assembly, fit the knock pins into the knock pin holes, and tighten the 7 bolts shown in the illustration.

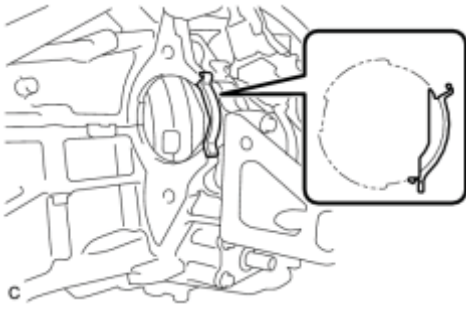
Torque: **33 N·m (337 kgf·cm, 24ft·lbf)**

NOTICE:

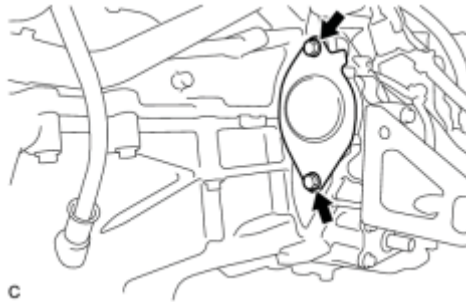
- Make sure to align the hybrid vehicle transaxle so that the input shaft of the hybrid vehicle transaxle will be inserted straight into the inner splines of the transmission input damper.
- When inserting the input shaft of the hybrid vehicle transaxle into the inner splines of the transmission input damper, do not shake the hybrid vehicle transaxle excessively.
- When mounting the hybrid vehicle transaxle to the engine, make sure to securely fit the knock pins into the knock holes.
- Push in the hybrid vehicle transaxle so that the contact surfaces of the engine and the hybrid vehicle transaxle will be aligned evenly.
- While mounting the hybrid vehicle transaxle to the engine, temporarily tighten the bolt (A), fully tighten the bolt (B), fully tighten the bolt (A), and then fully tighten the bolts (C).
- Do not hang the hybrid vehicle transaxle off of the engine if the contact surfaces of the engine and the hybrid vehicle transaxle are not in full contact. The knock holes of the hybrid vehicle transaxle case may be deformed due to the excessive weight of the engine and hybrid vehicle transaxle, resulting in misalignment between the engine and hybrid vehicle transaxle.

7. INSTALL FLYWHEEL HOUSING SIDE COVER

(a) Install the flywheel housing side cover.



8. INSTALL STARTER HOLE INSULATOR

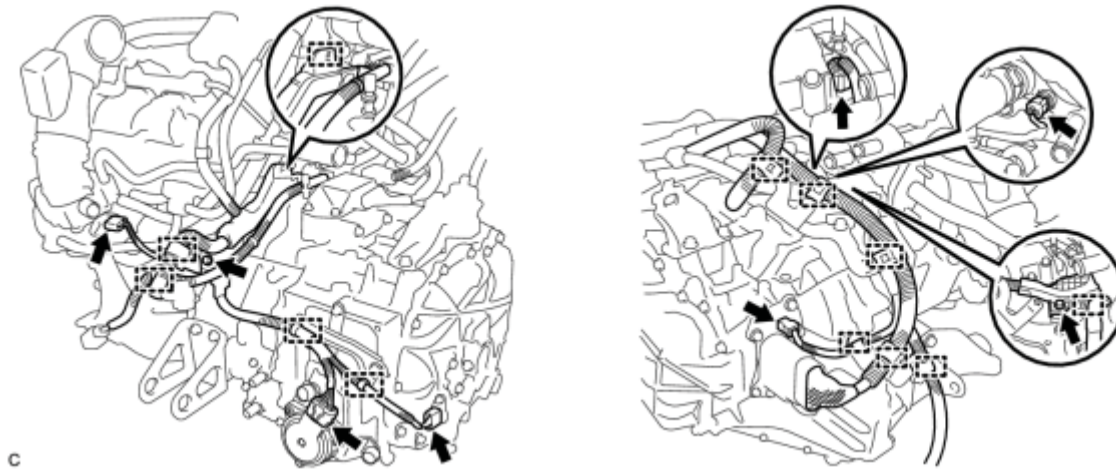


(a) Install the starter hole insulator with the 2 bolts.

Torque: **37 N·m (377 kgf·cm, 27ft·lbf)**

9. CONNECT WIRE HARNESS

(a) Connect the 12 wire harness clamps and 6 connectors and install the 2 bolts.



Torque: **12 N·m (122 kgf·cm, 9ft·lbf)**

10. INSTALL RADIATOR PIPE INFO

11. INSTALL REAR ENGINE MOUNTING INSULATOR INFO

12. INSTALL FRONT ENGINE MOUNTING INSULATOR INFO