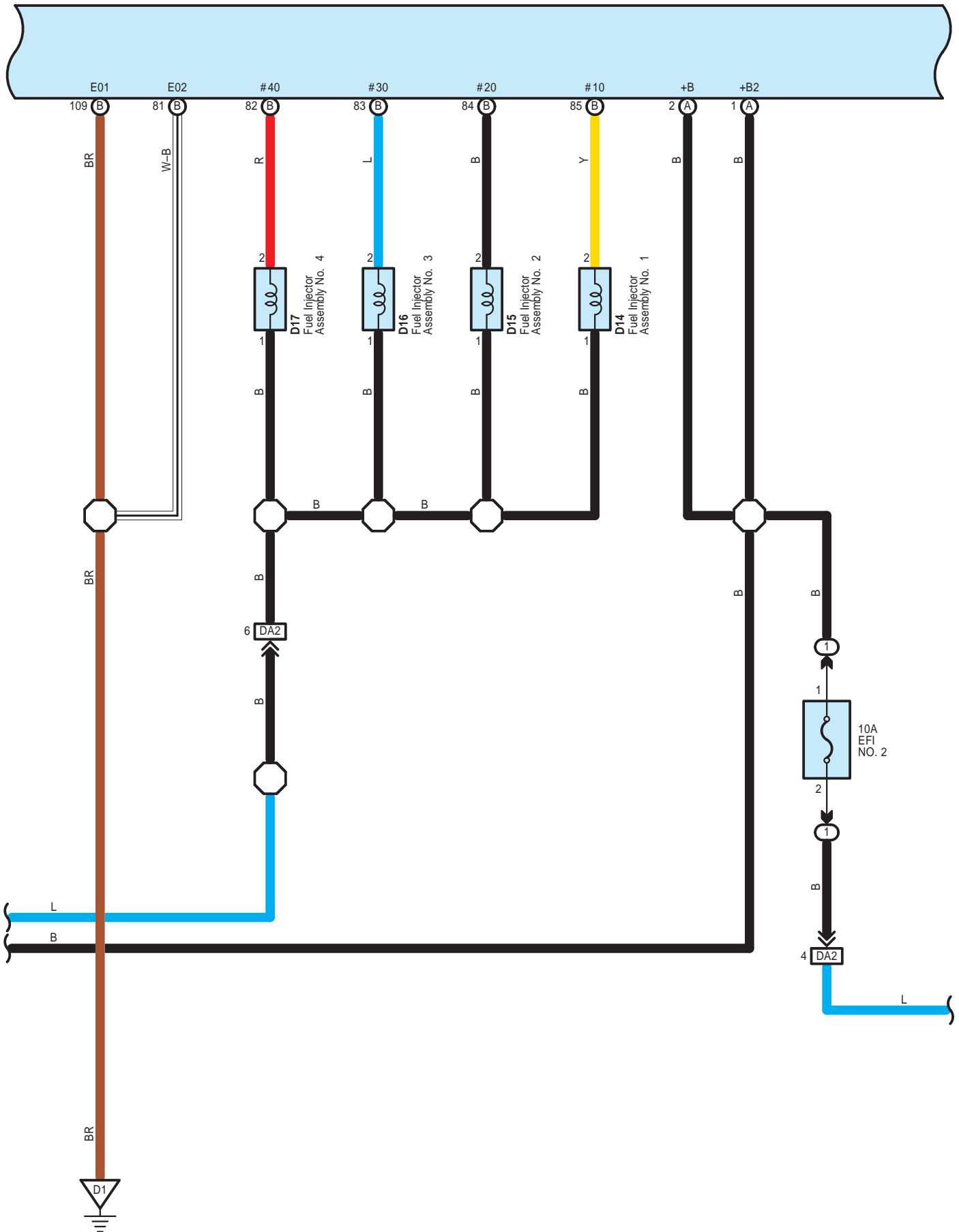
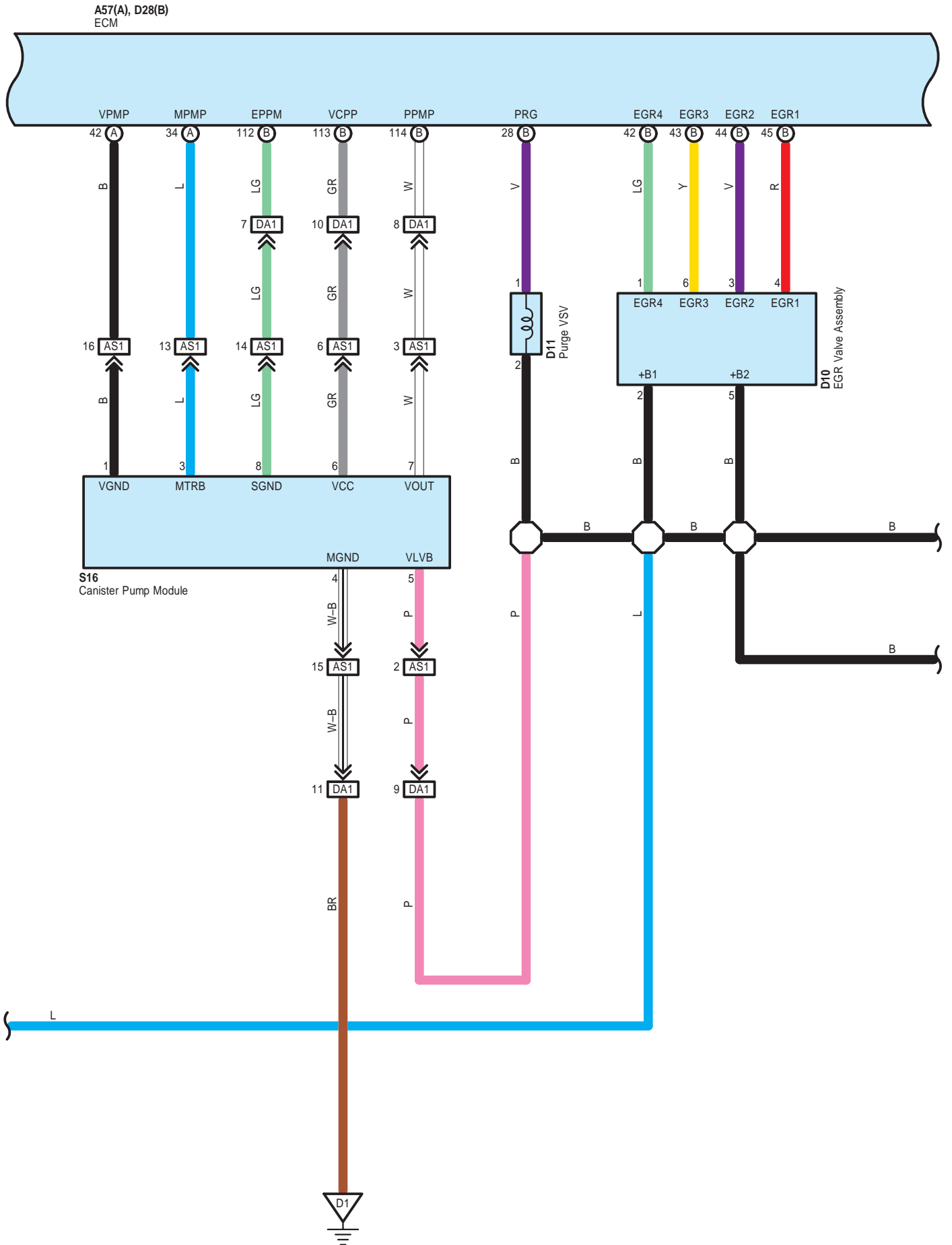
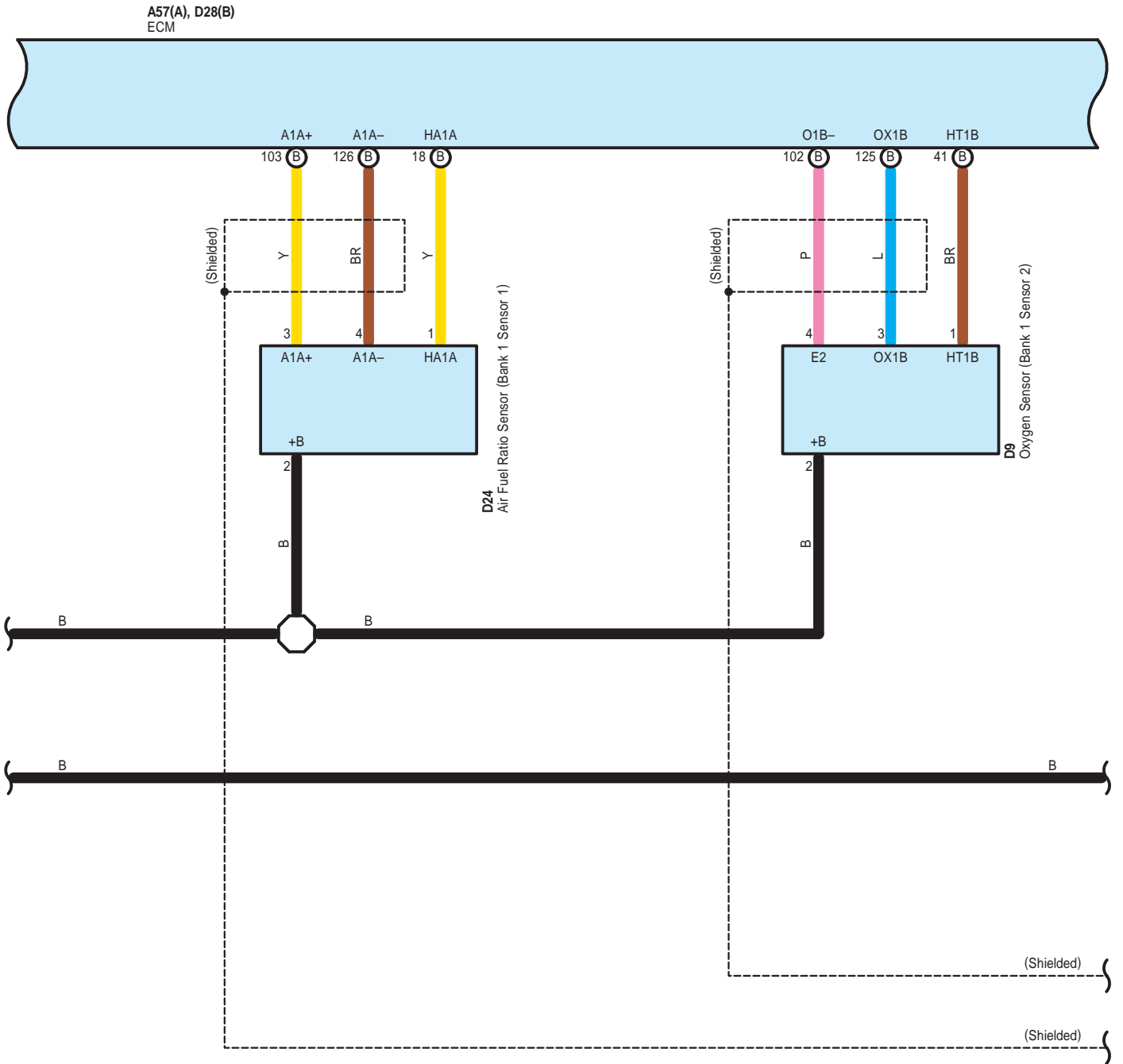


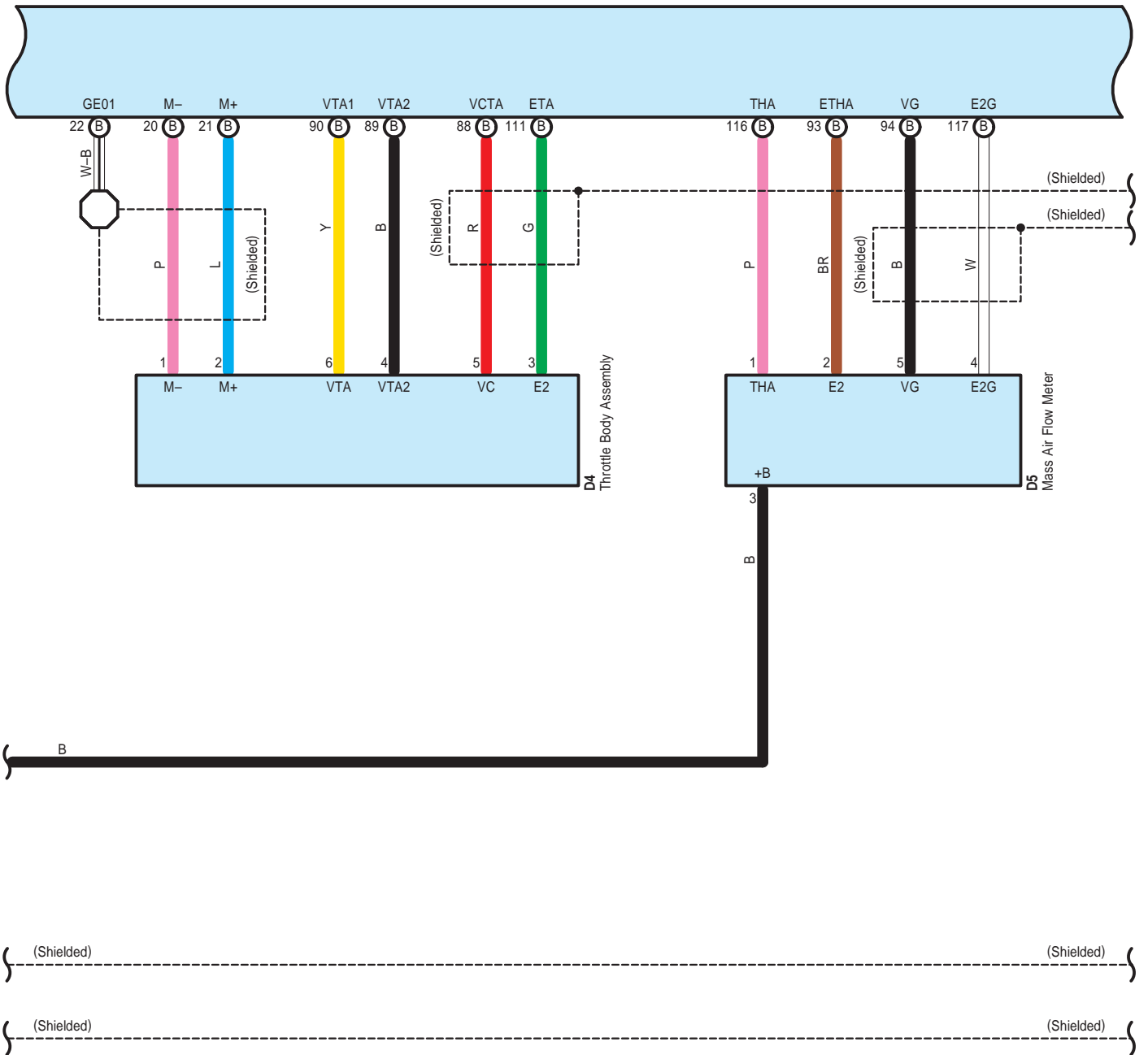
A57(A), D28(B)
ECM

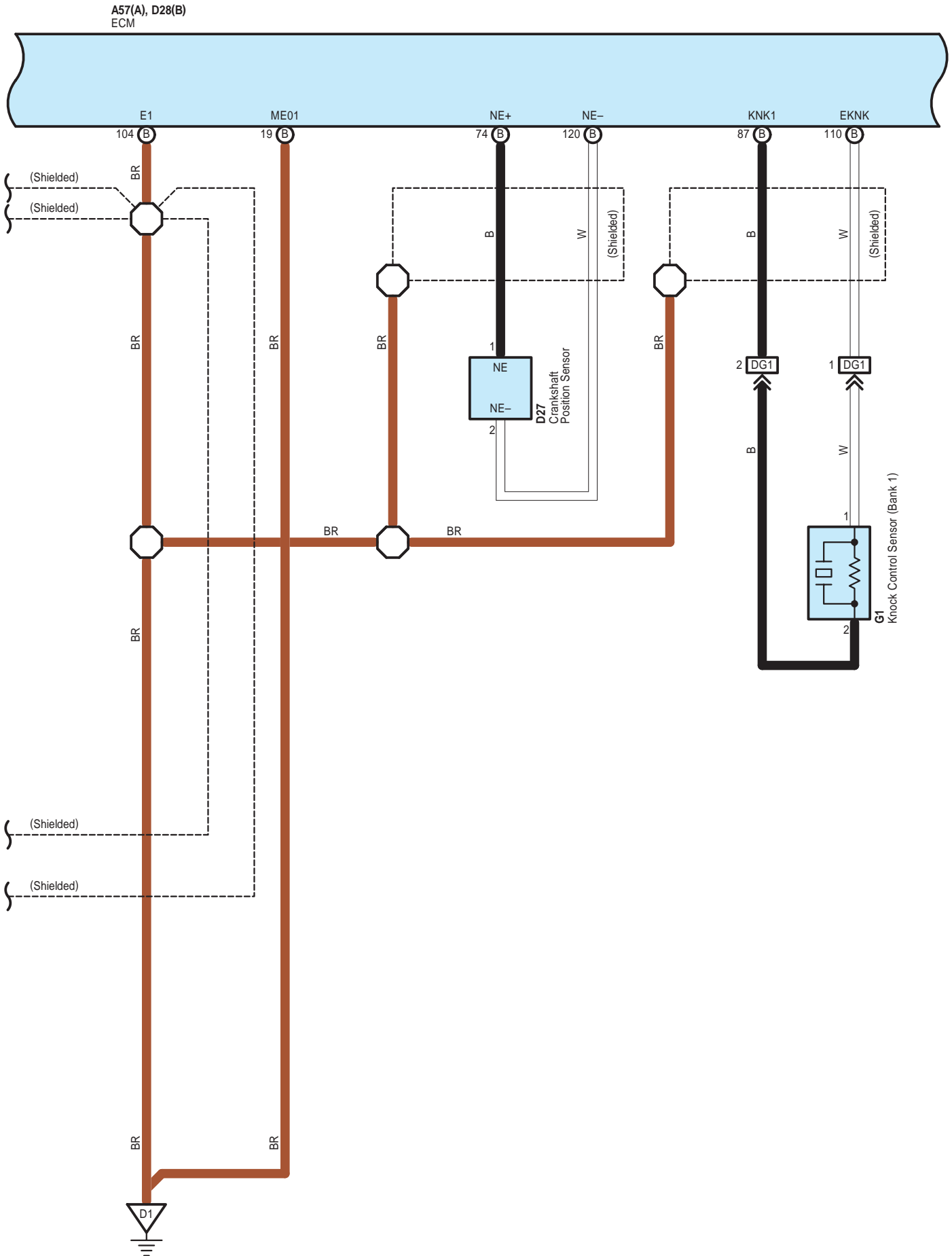


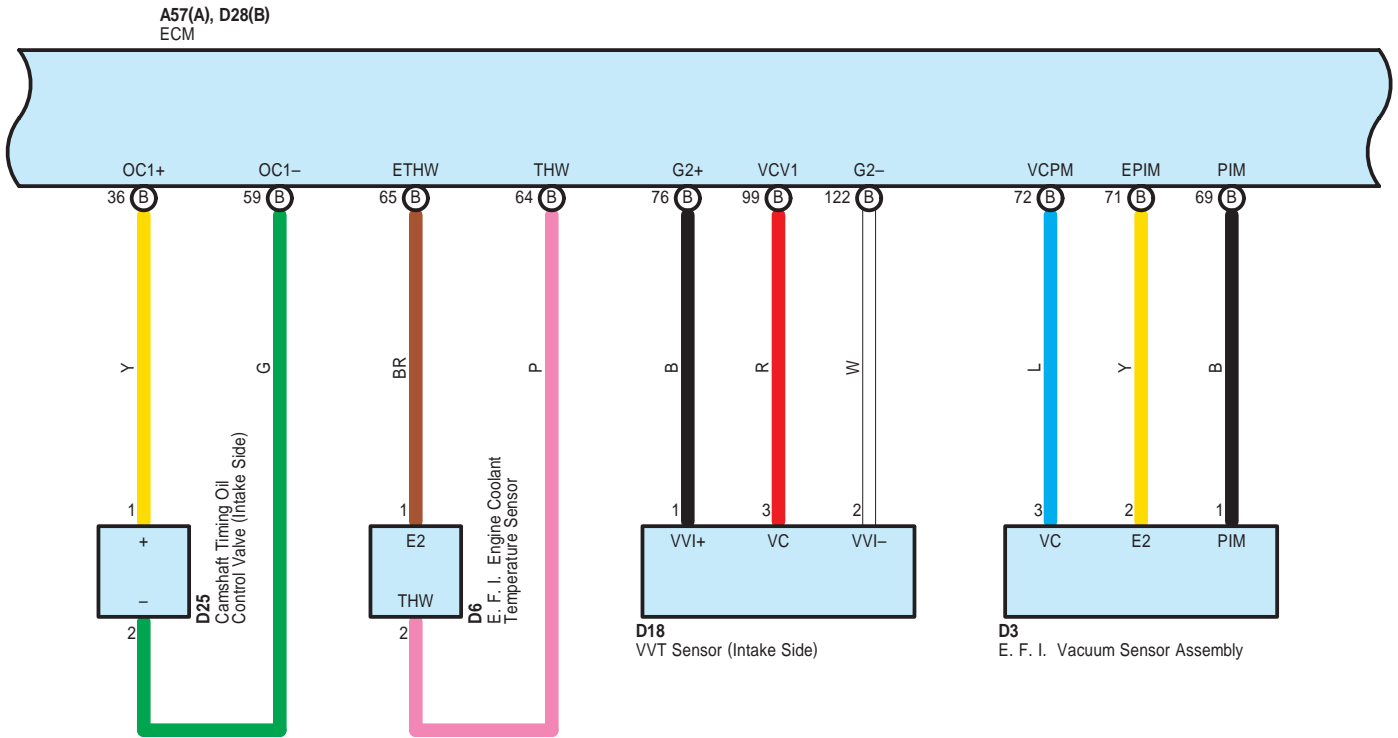


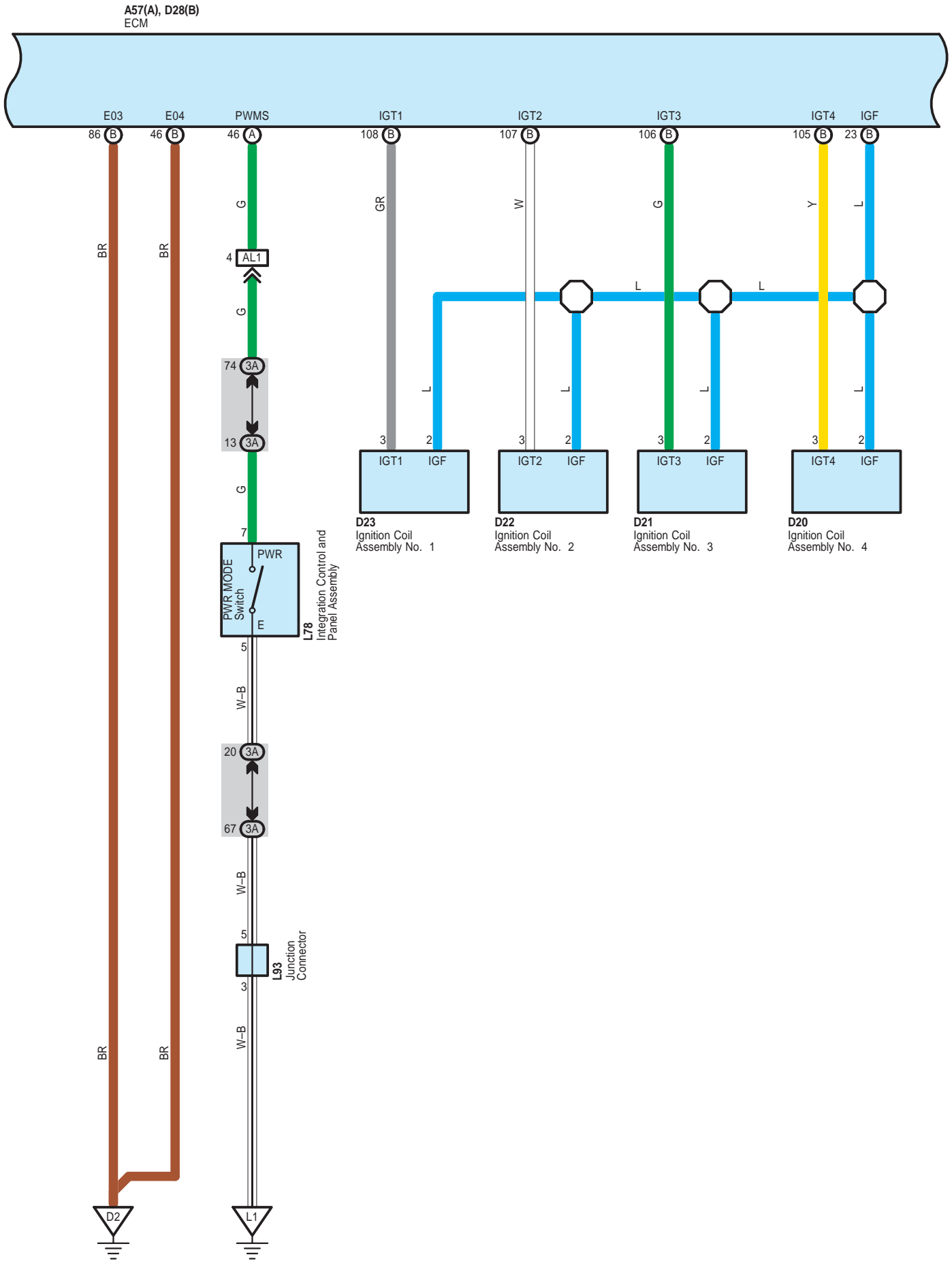


A57(A), D28(B)
ECM

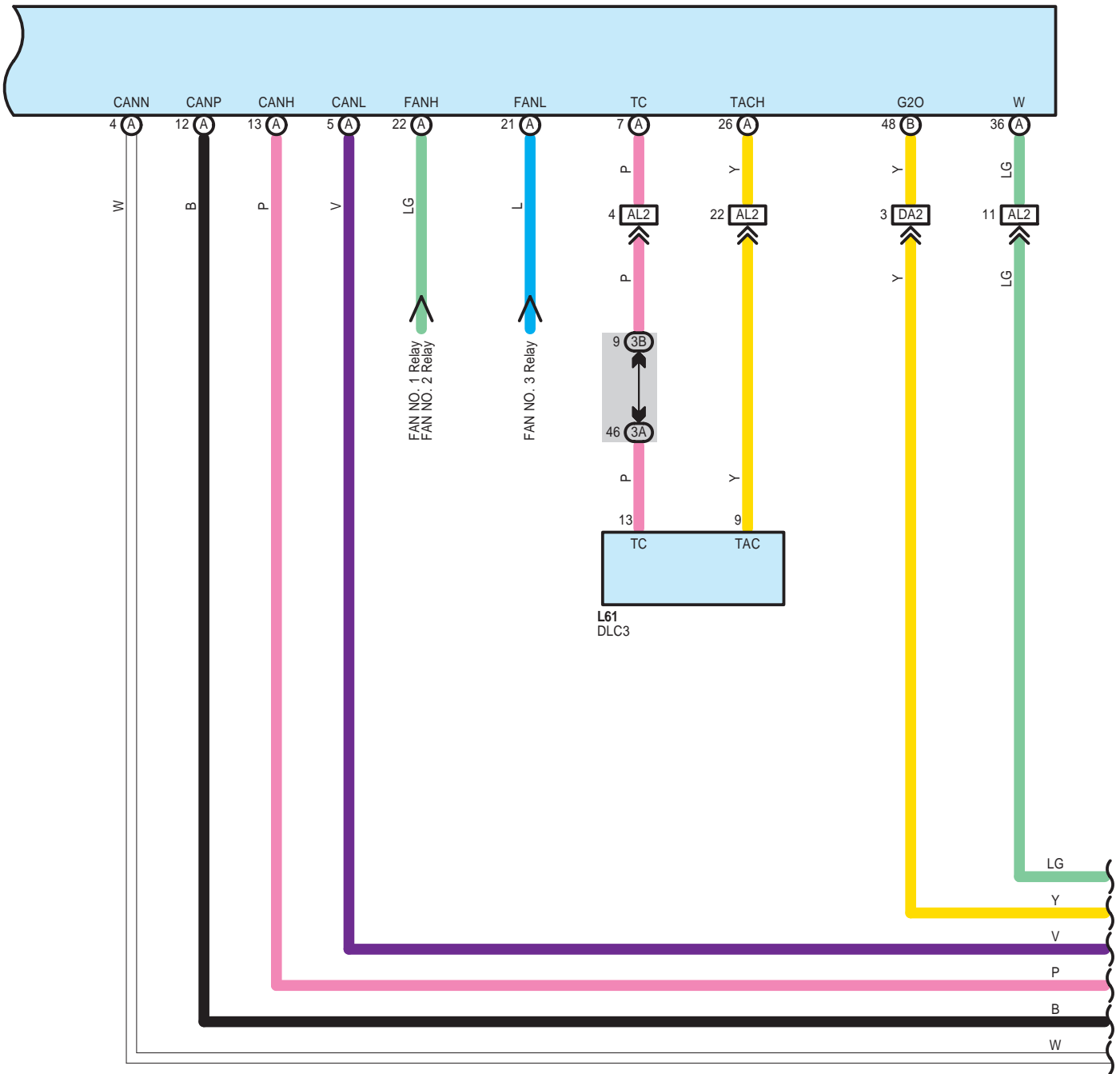


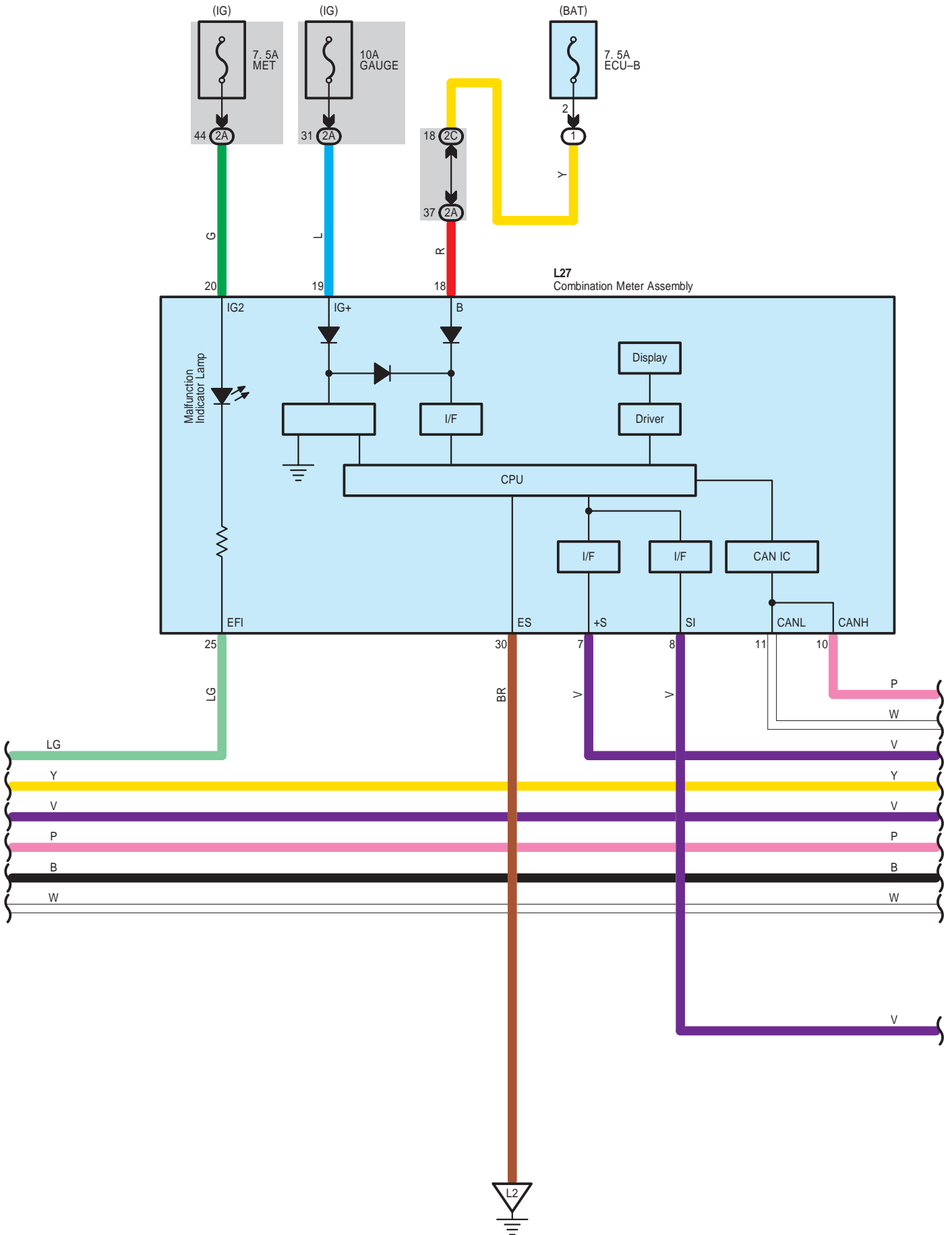


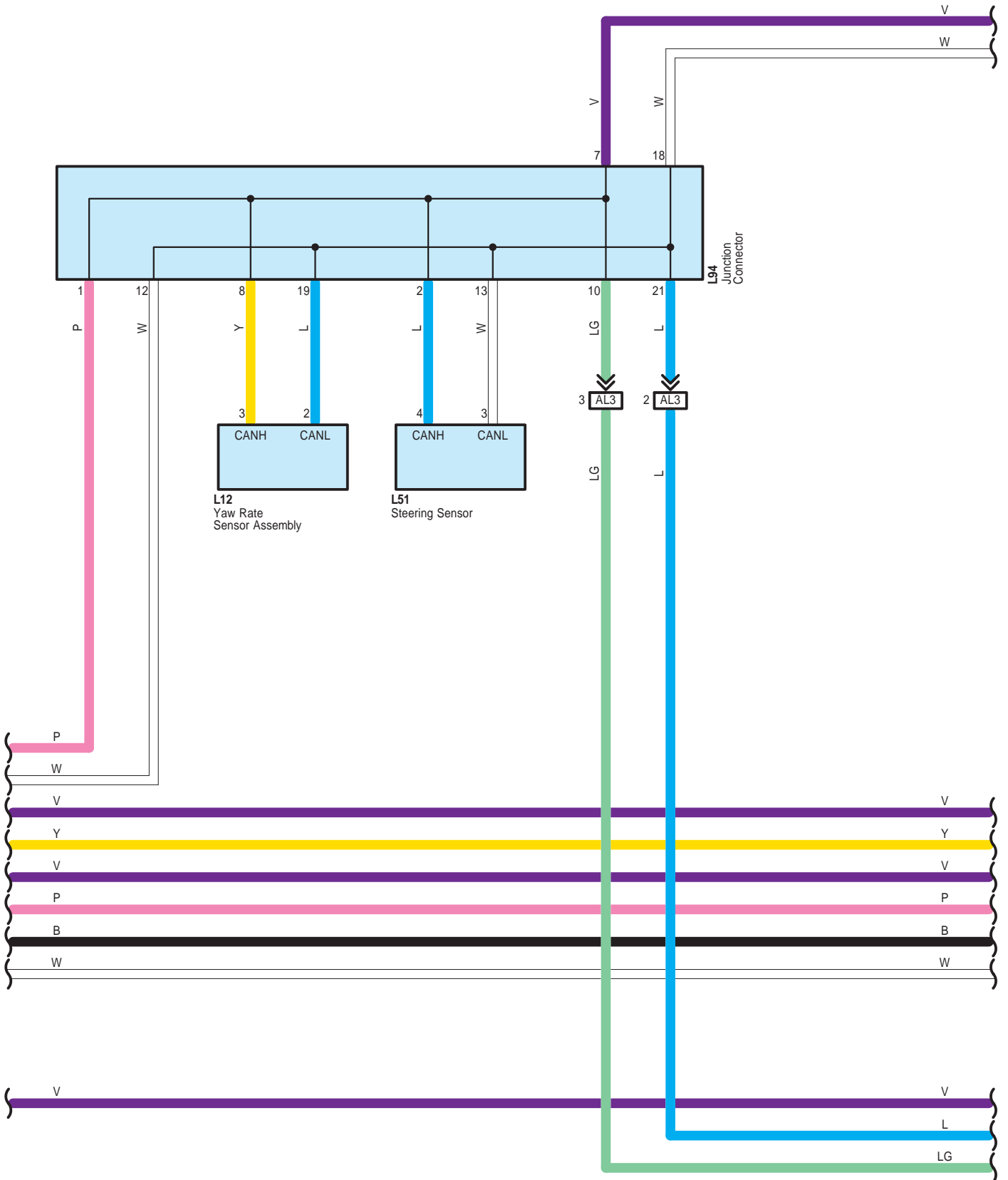


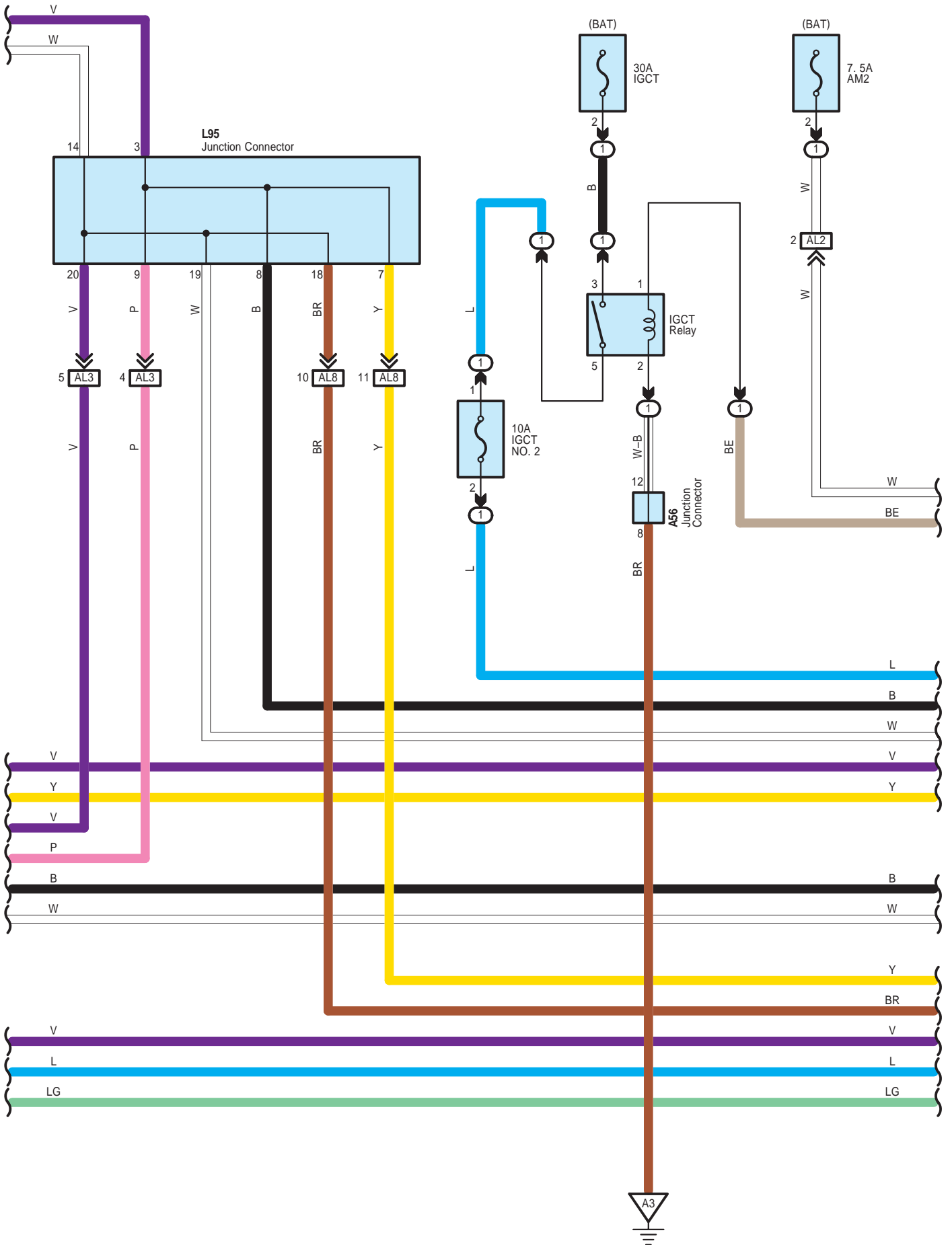


A57(A), D28(B)
ECM

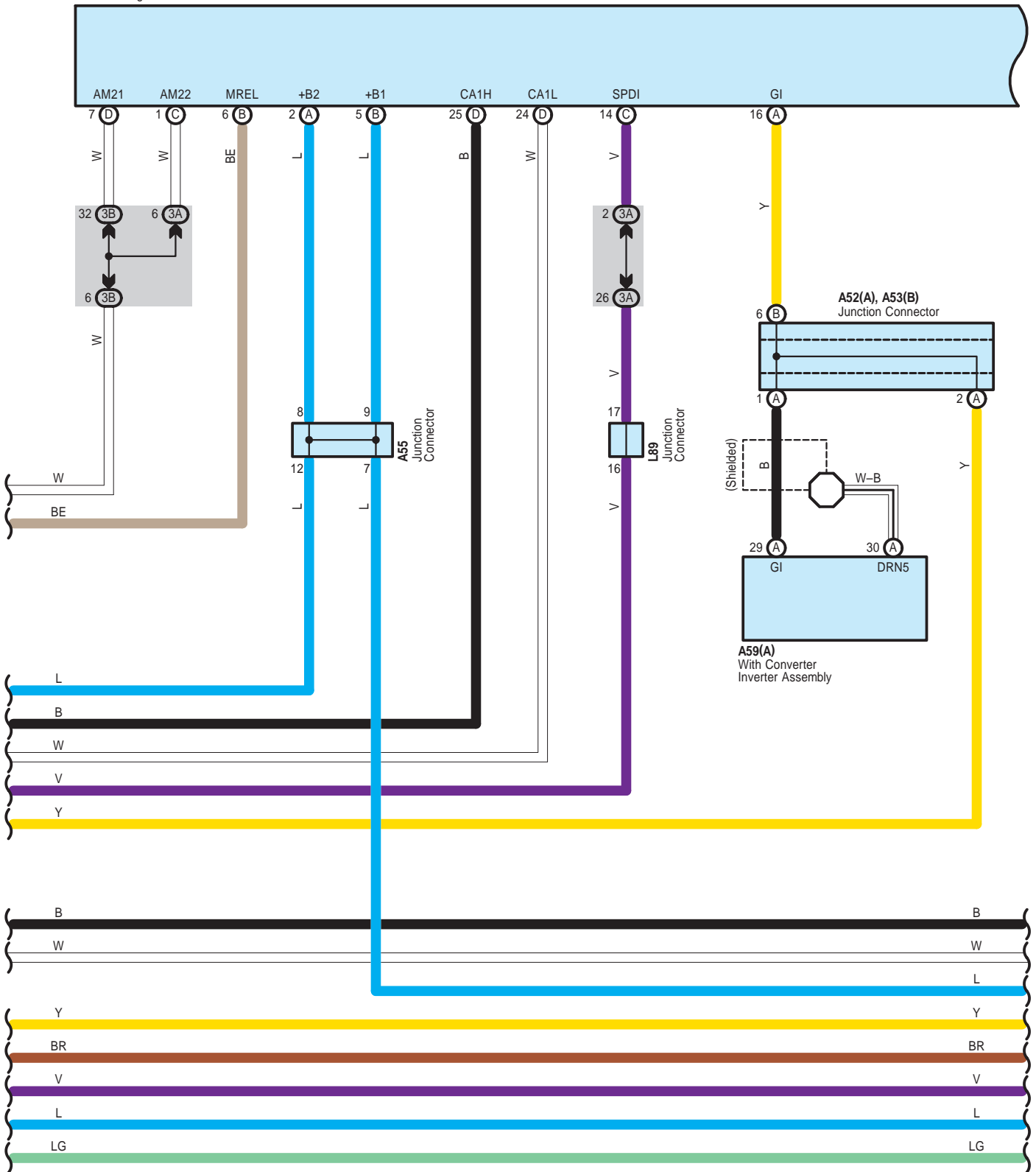




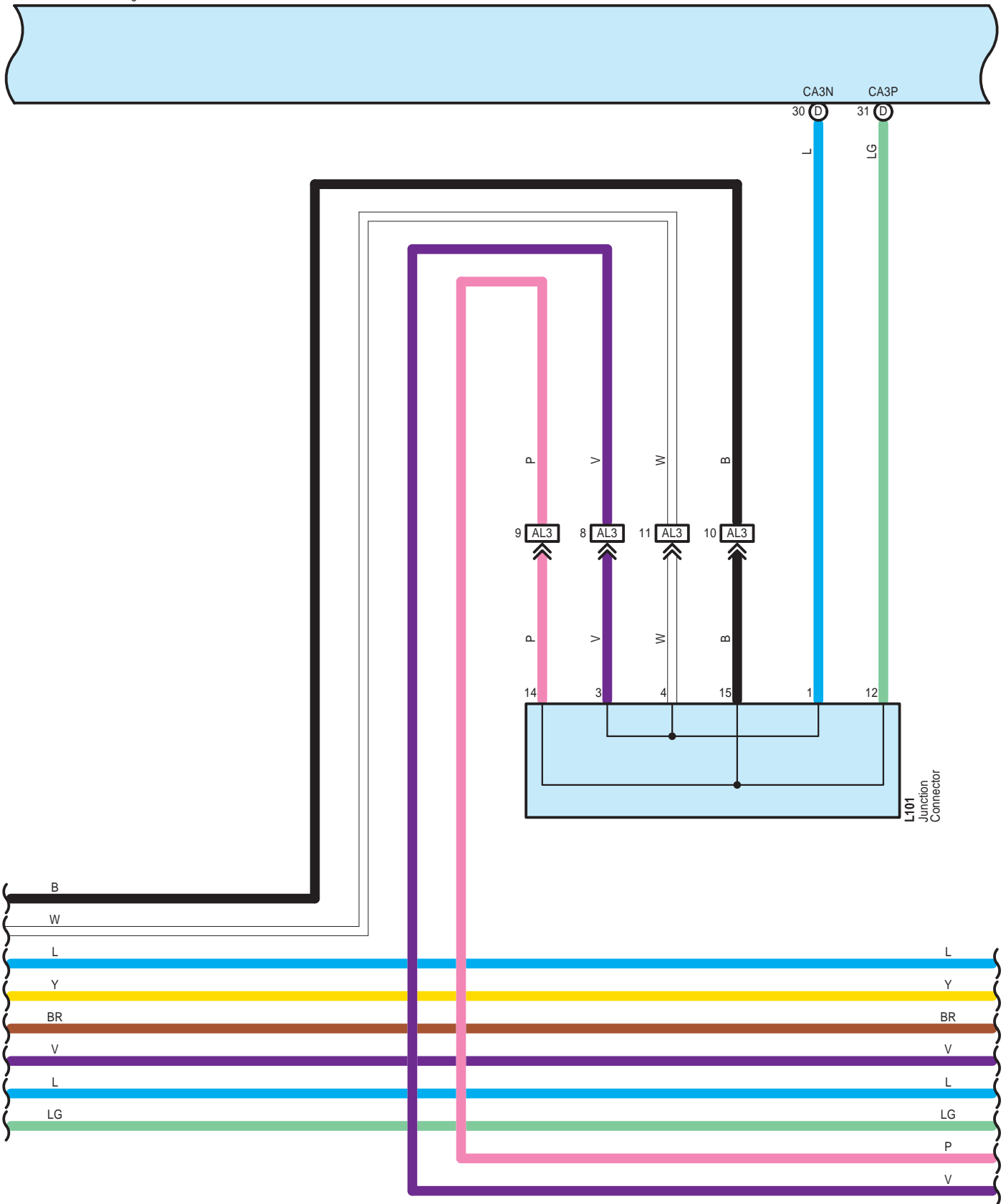




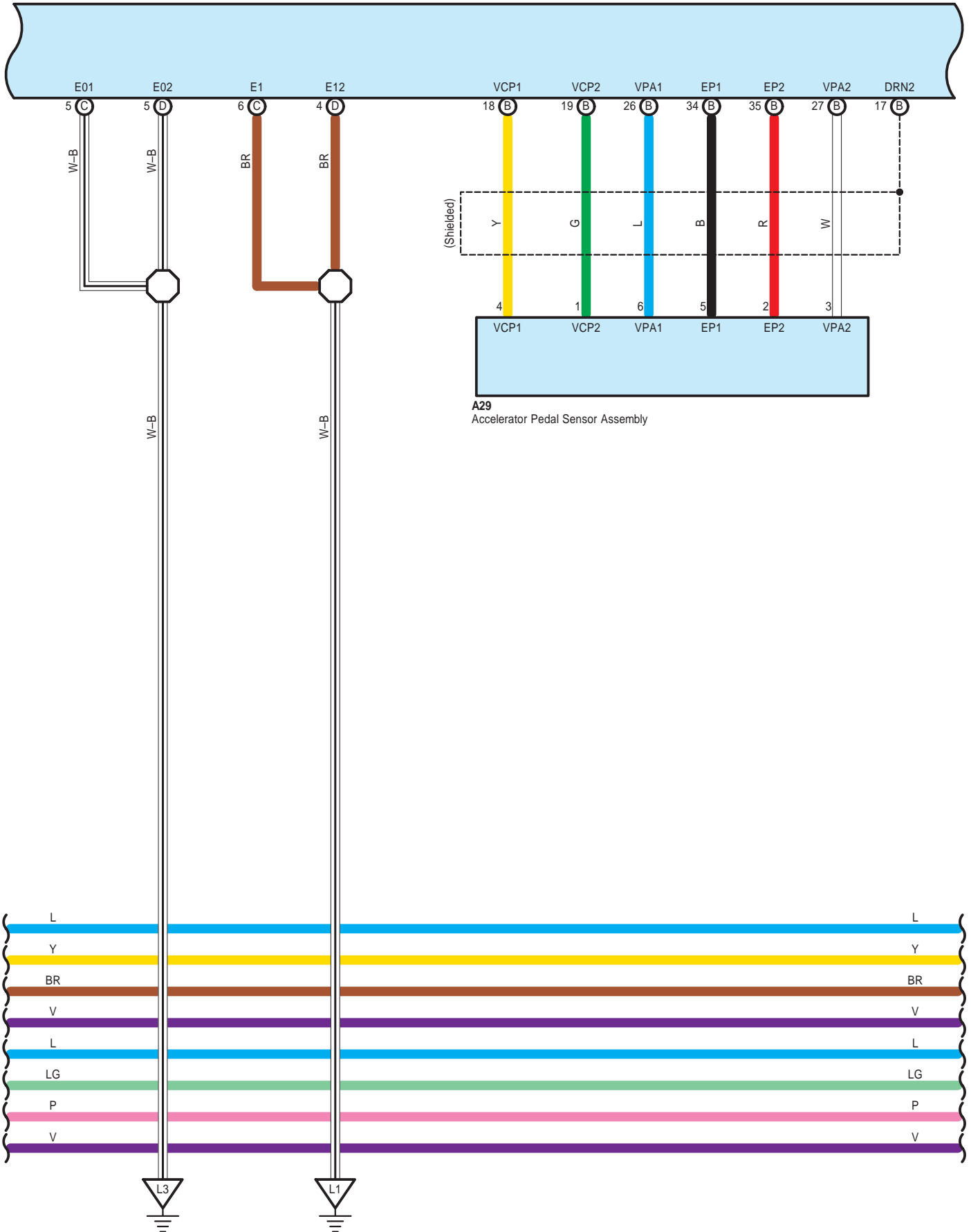
A21(A), A22(B), L5(C), L6(D)
Power Management Control ECU



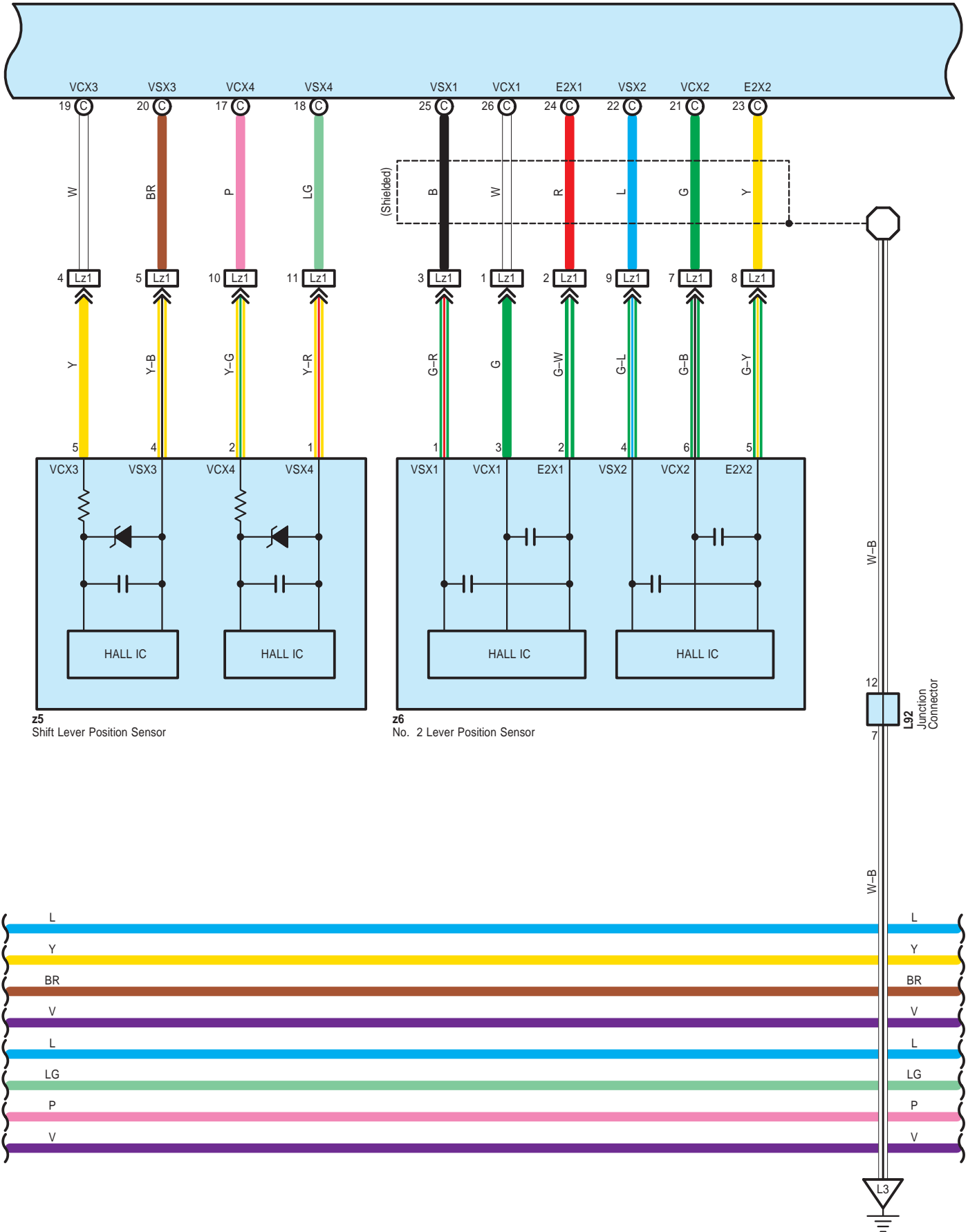
A21(A), A22(B), L5(C), L6(D)
Power Management Control ECU



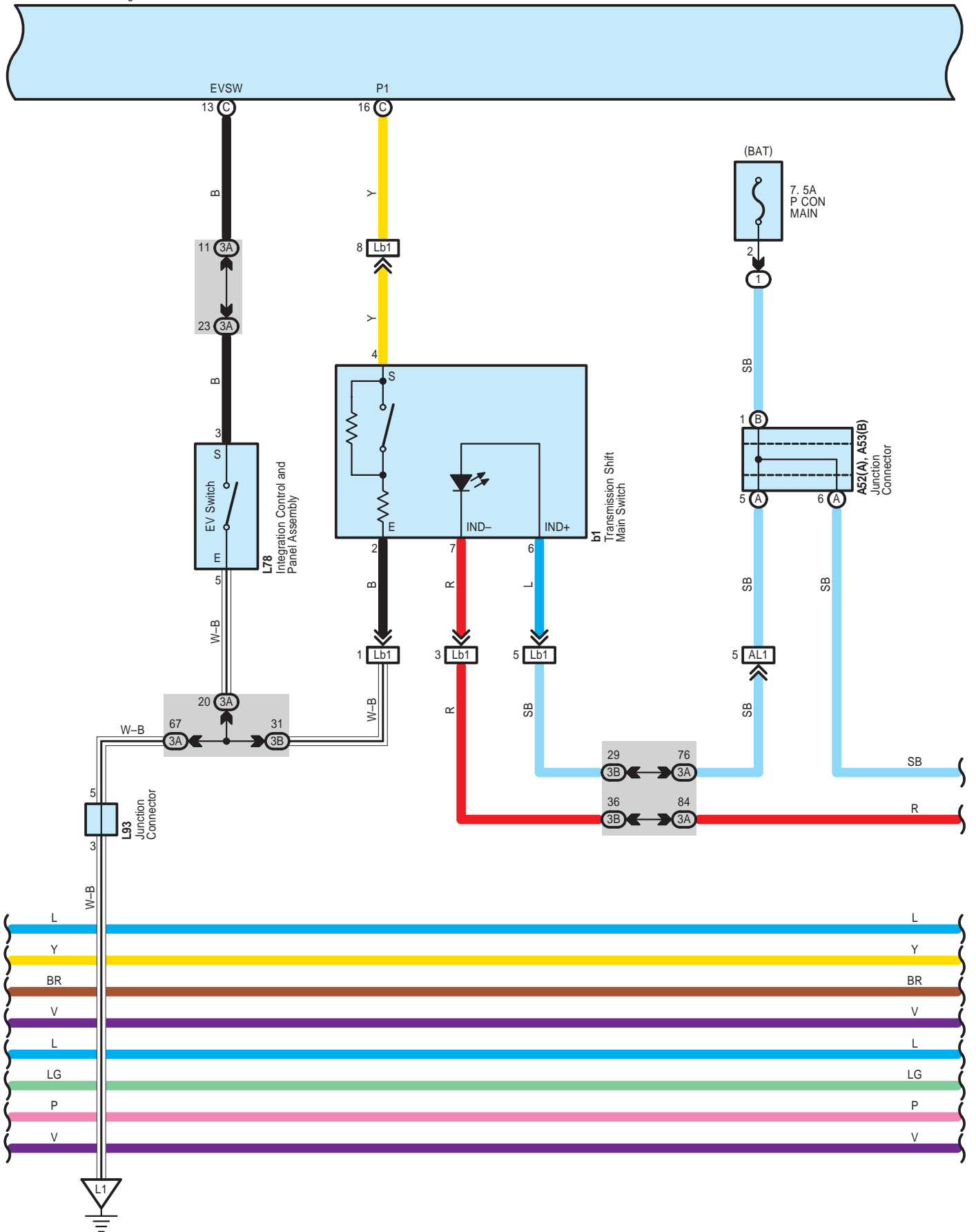
A21(A), A22(B), L5(C), L6(D)
Power Management Control ECU

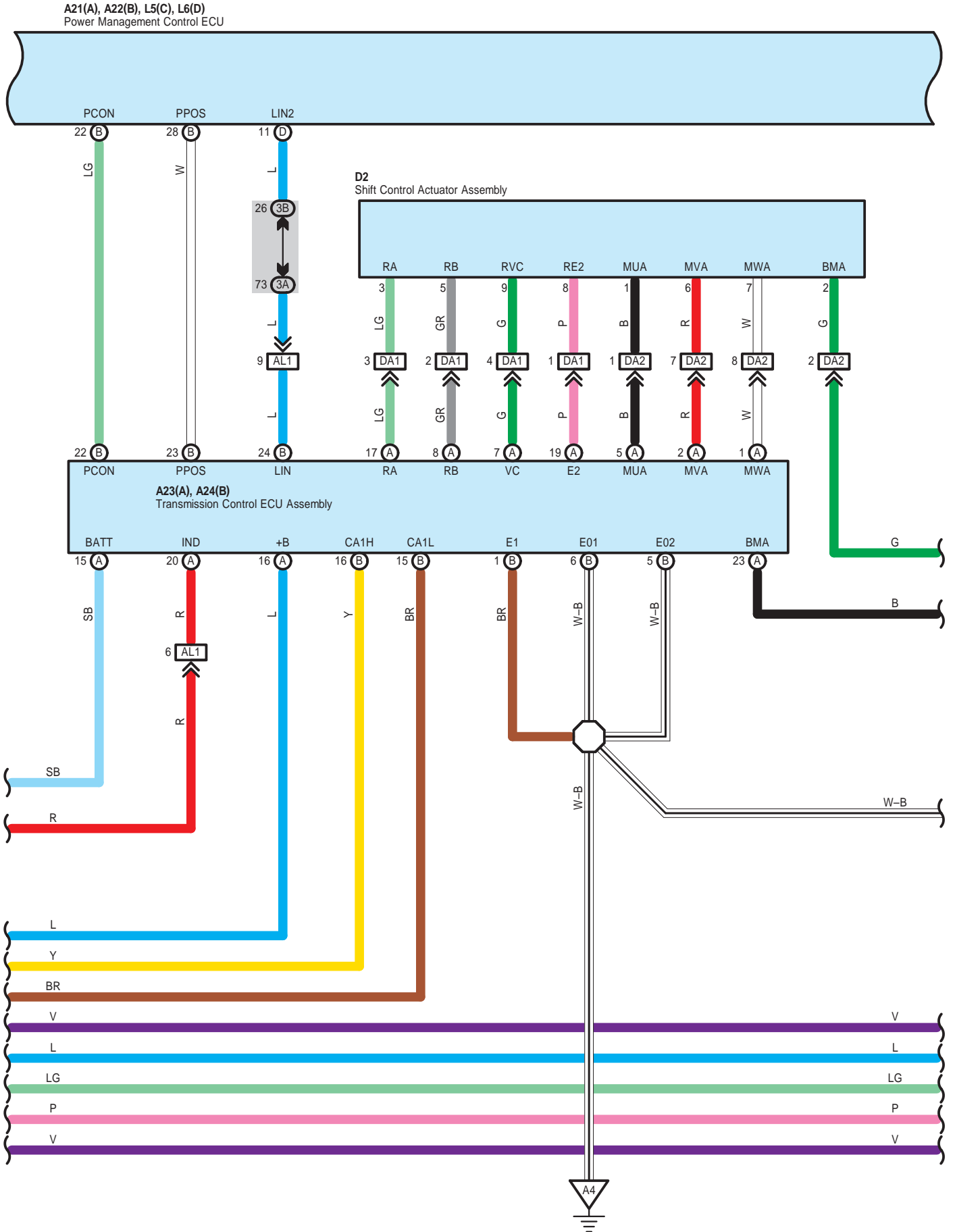


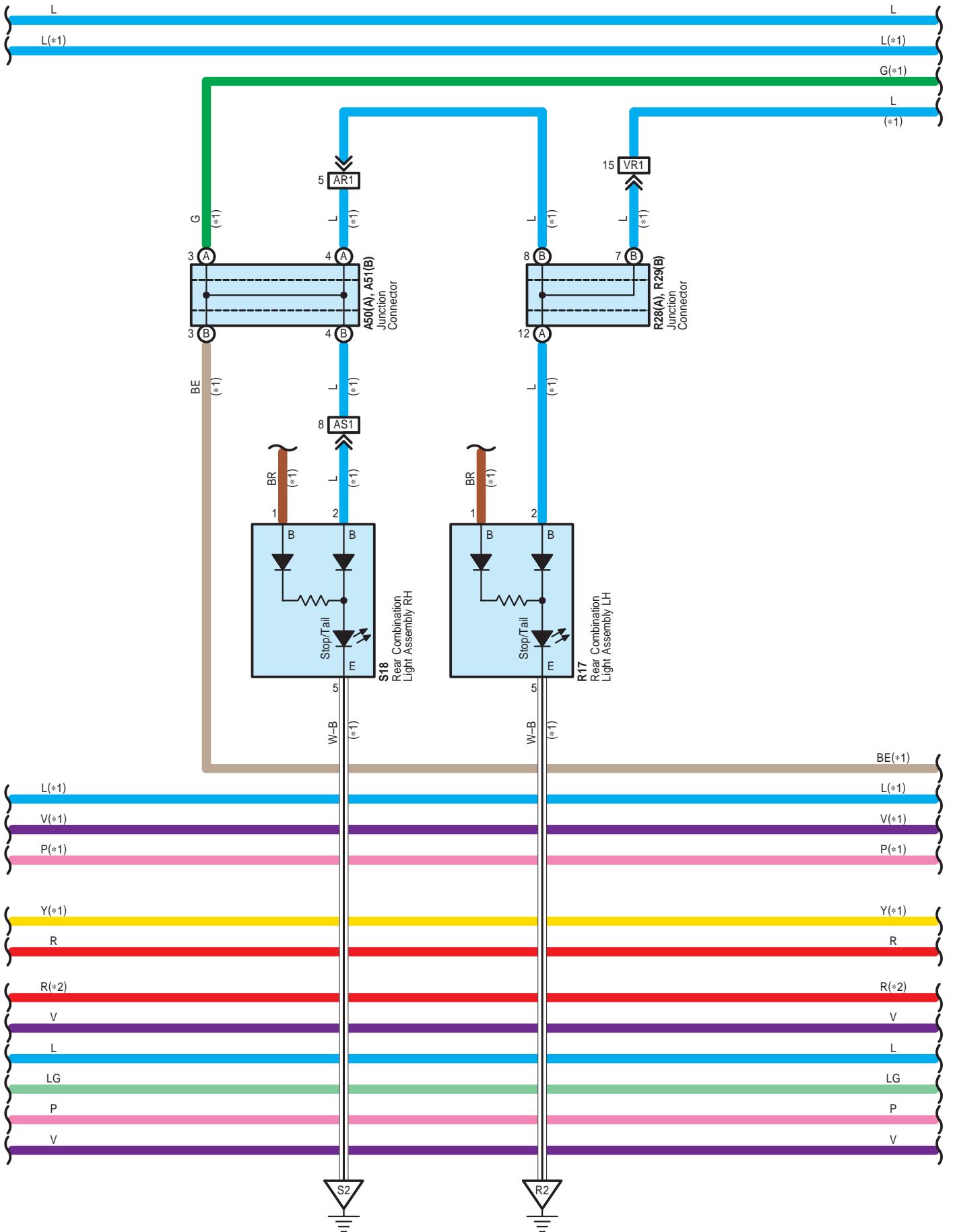
A21(A), A22(B), L5(C), L6(D)
Power Management Control ECU

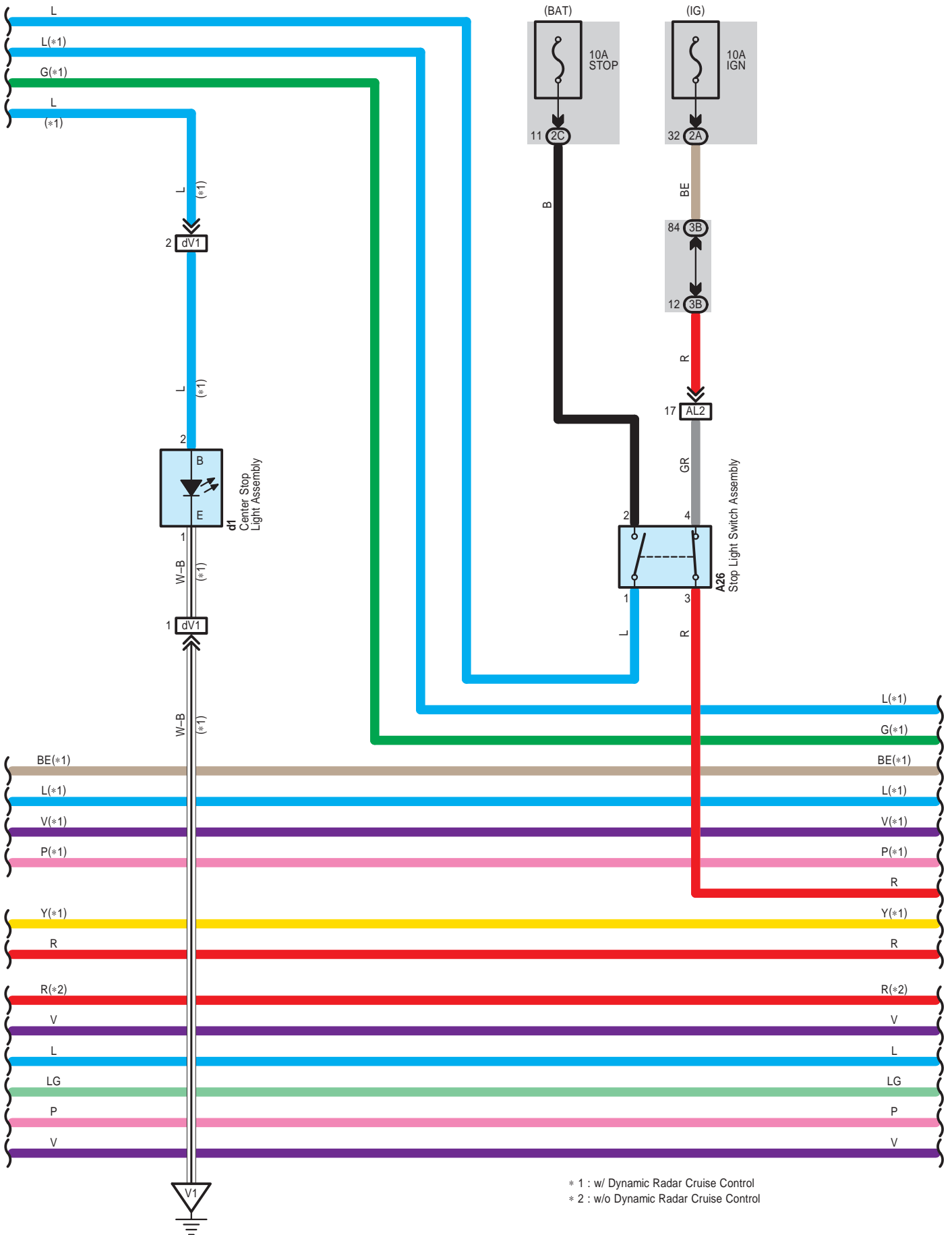


A21(A), A22(B), L5(C), L6(D)
Power Management Control ECU

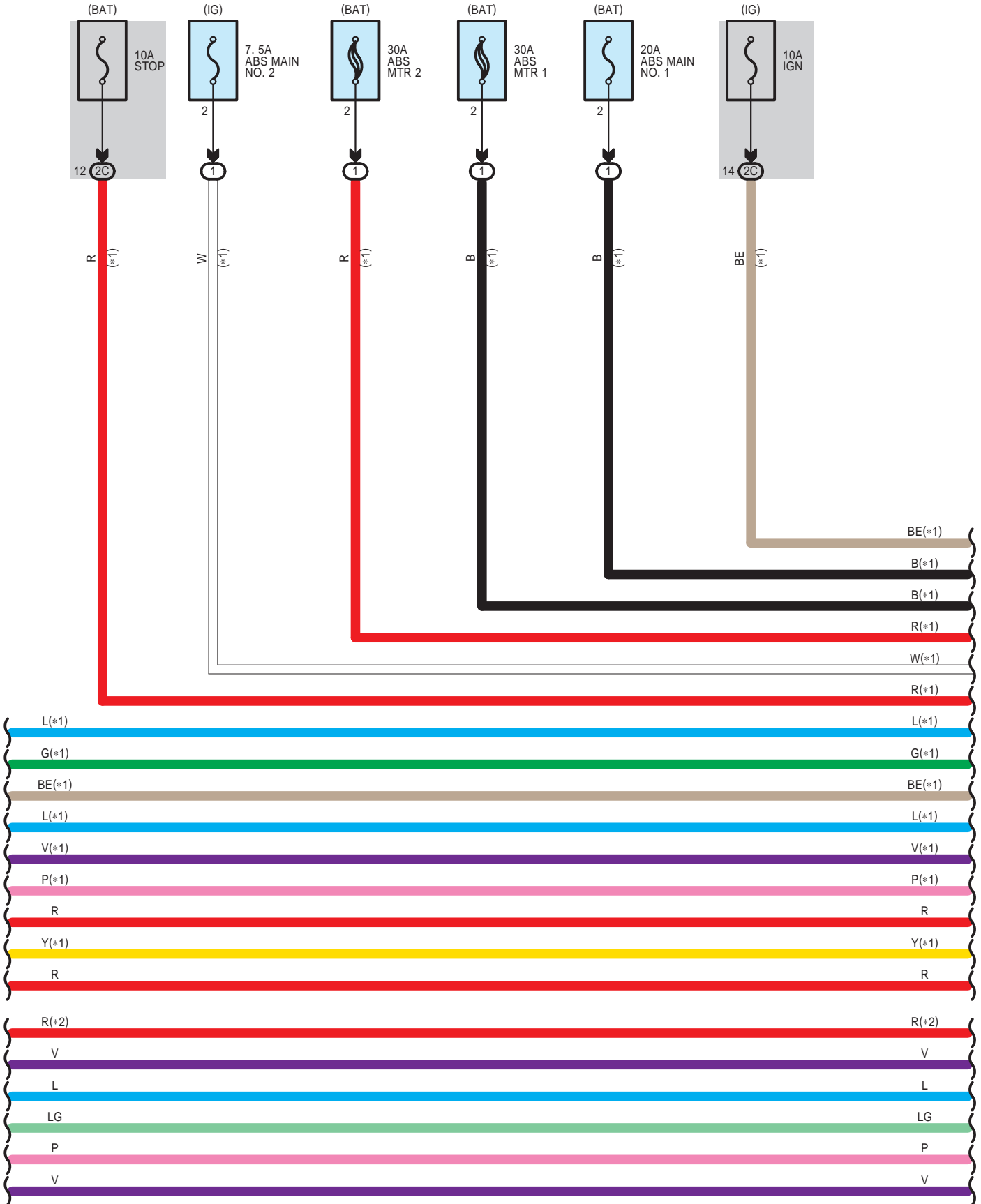


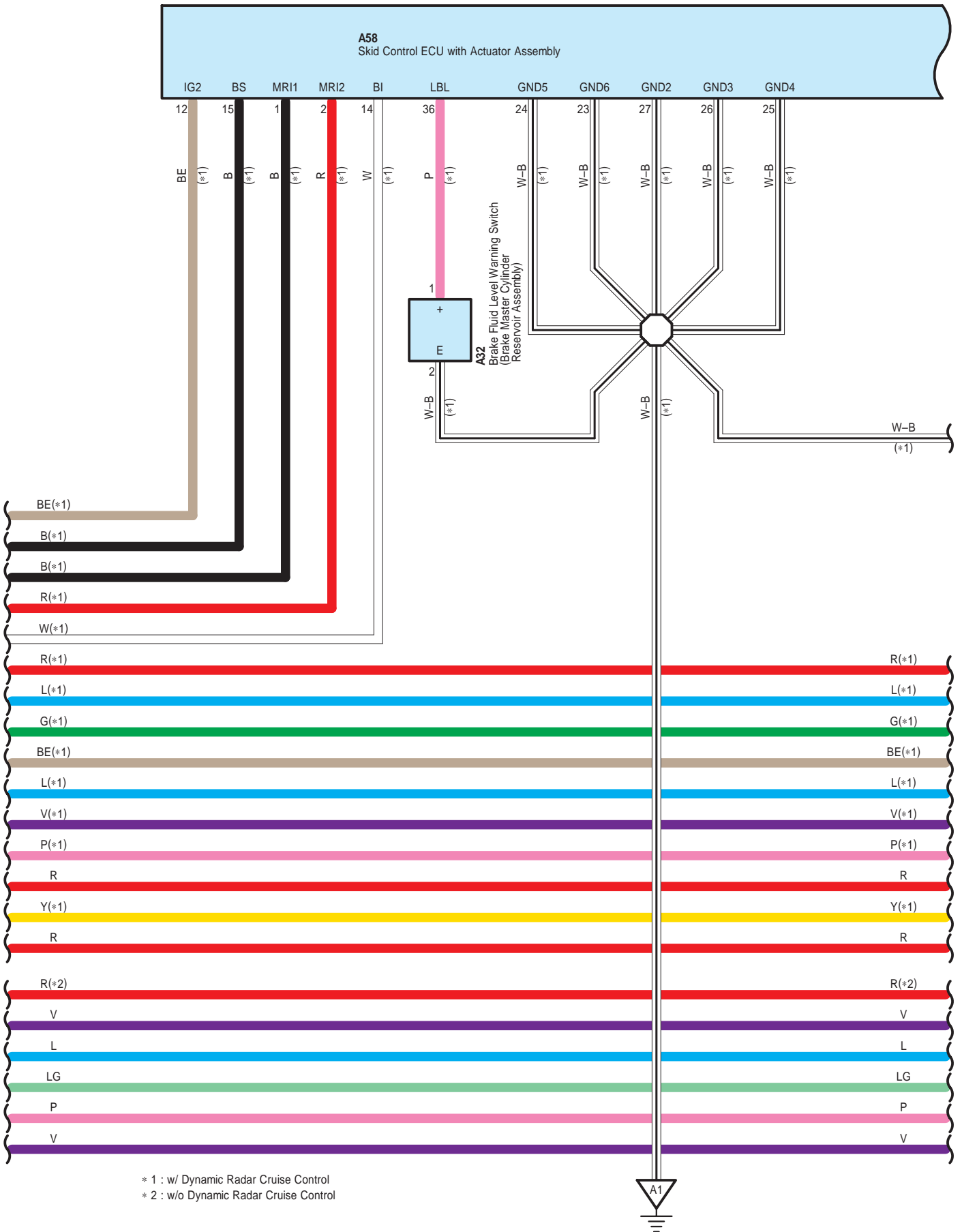




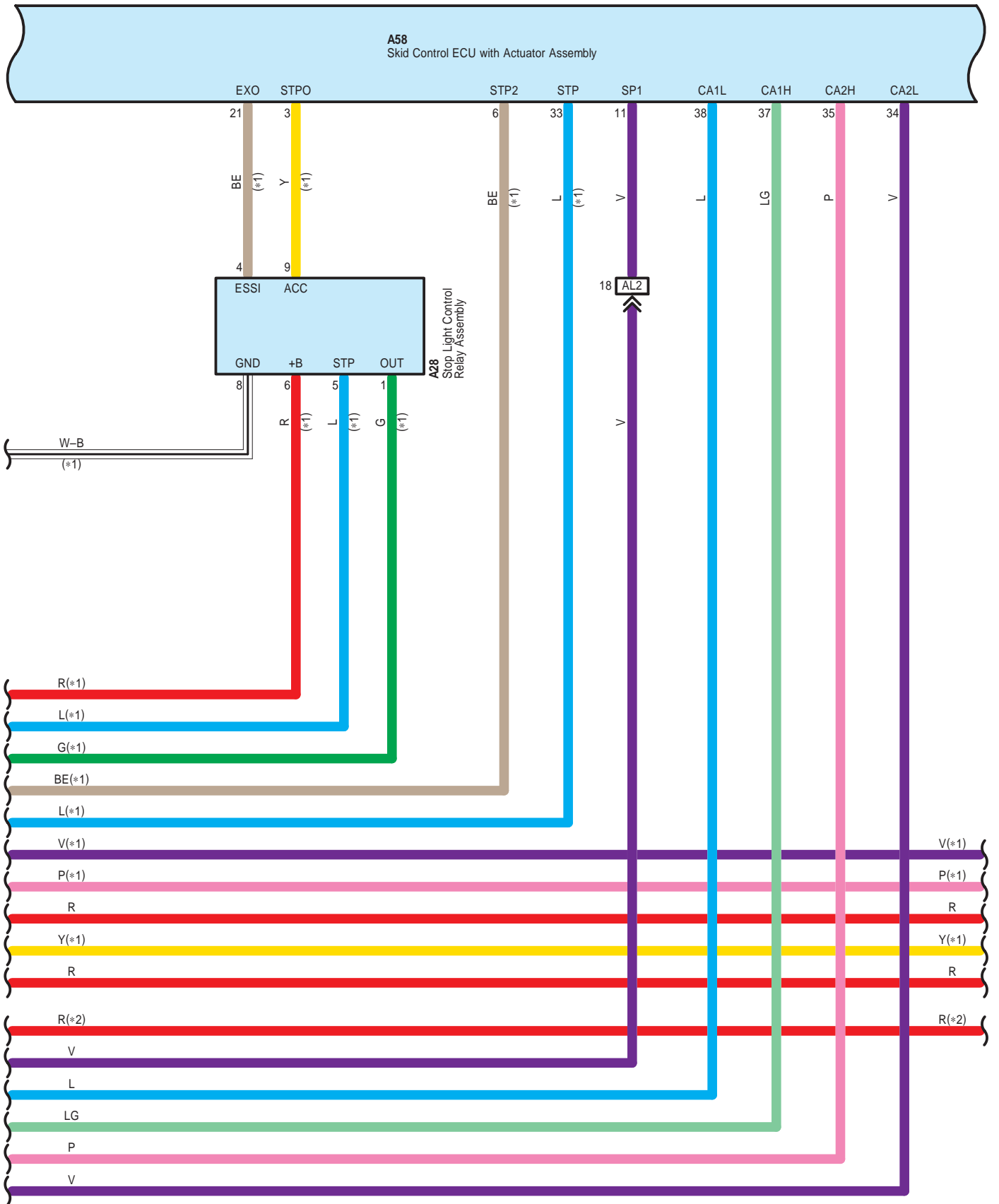


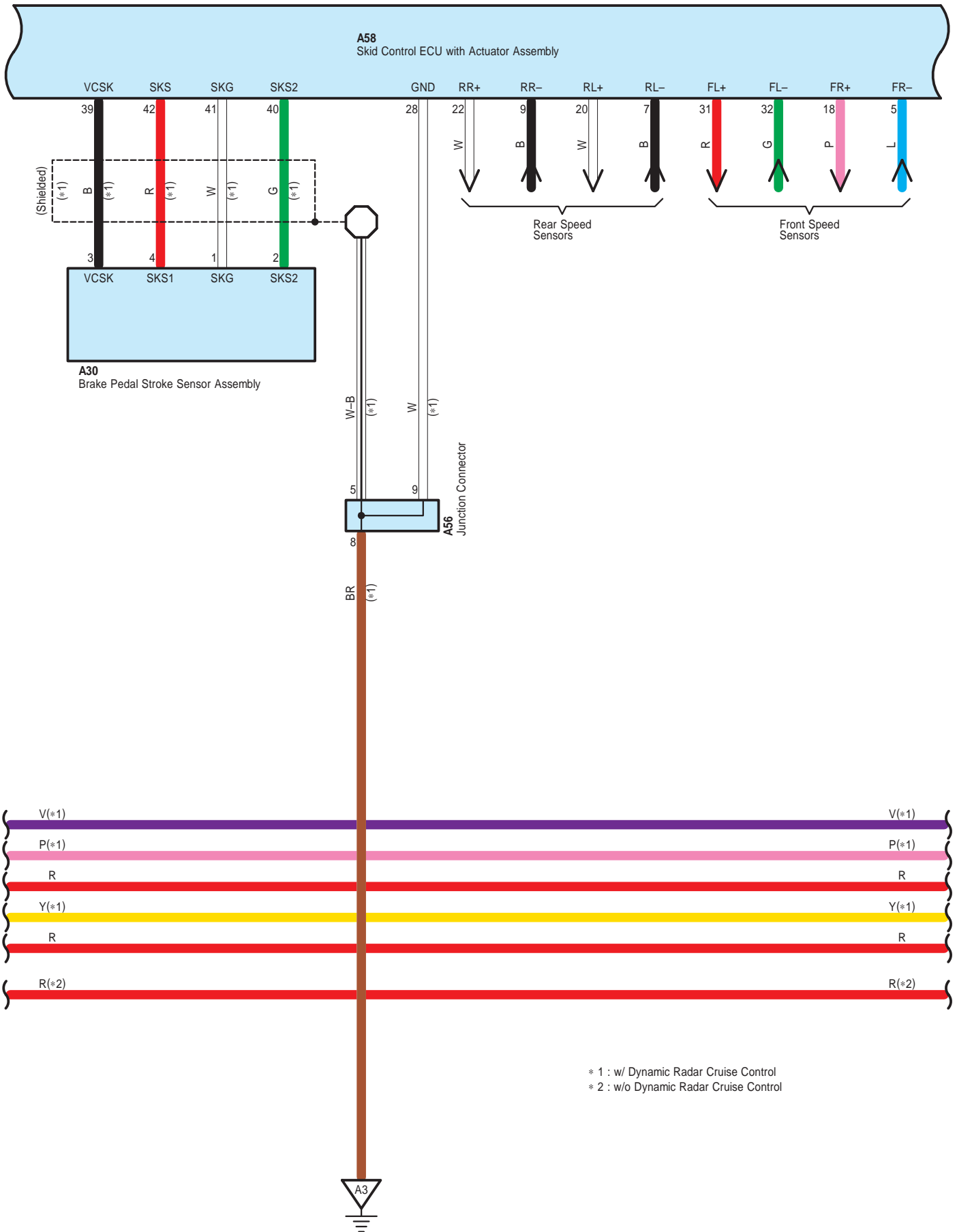
* 1 : w/ Dynamic Radar Cruise Control
 * 2 : w/o Dynamic Radar Cruise Control

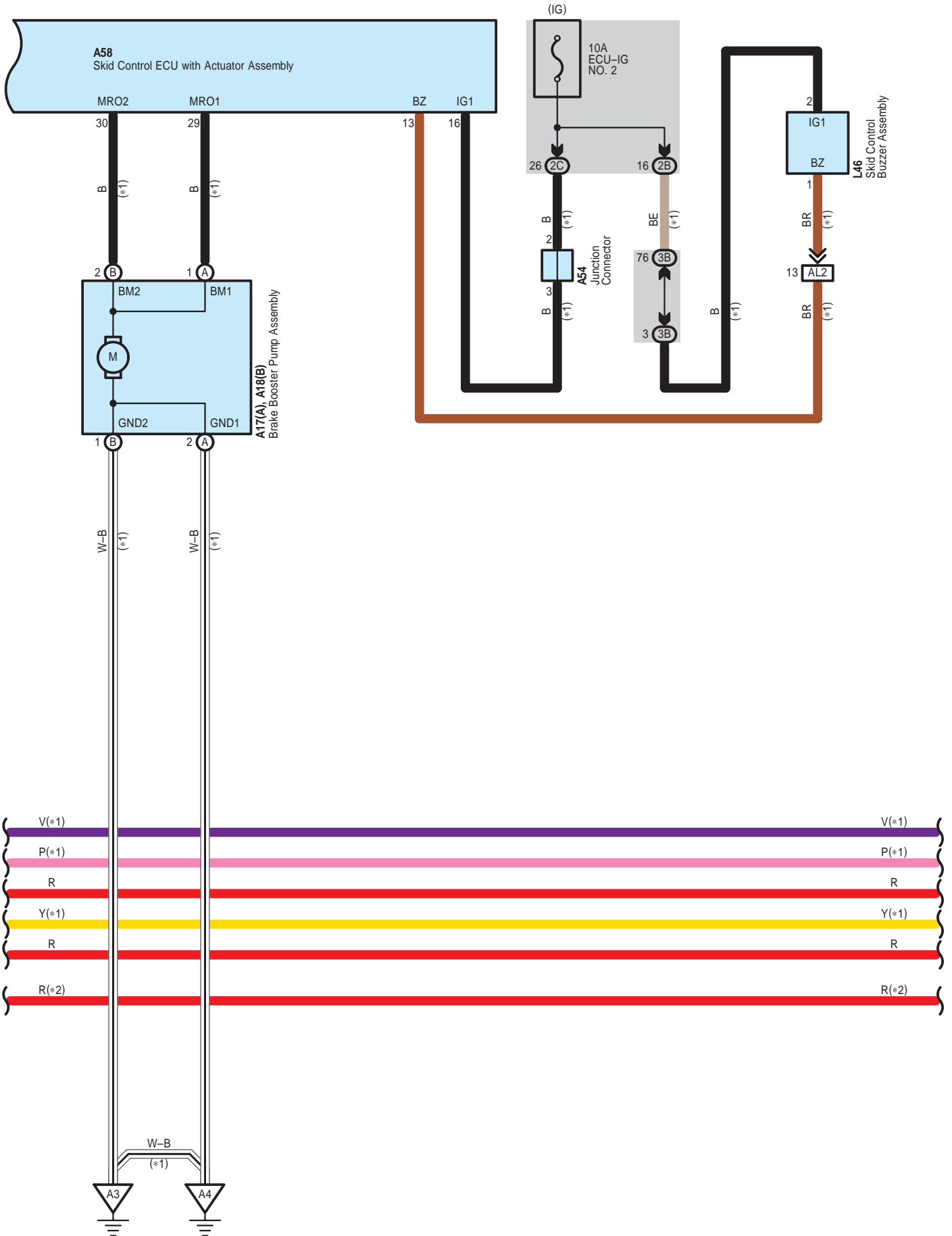




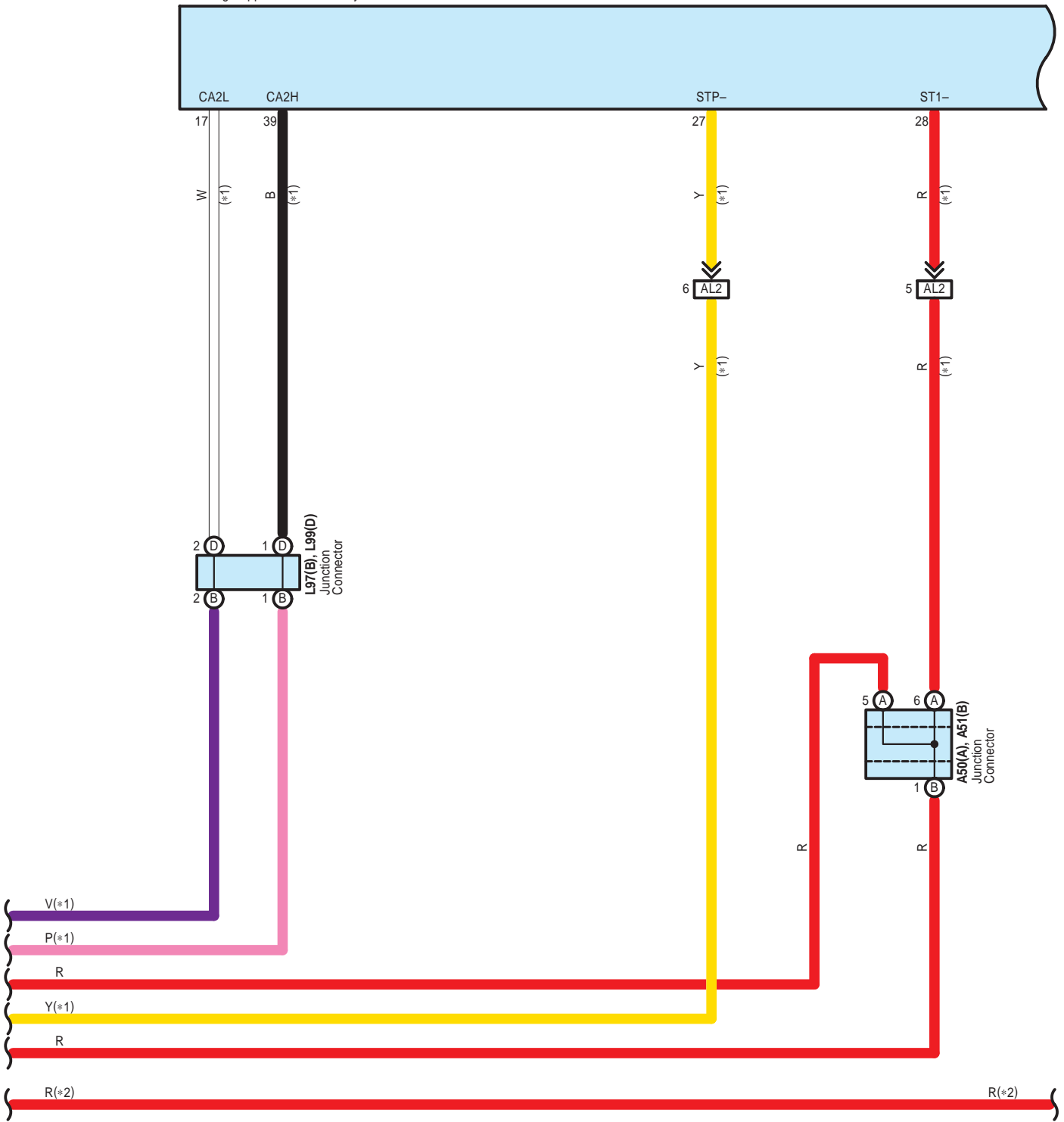
* 1 : w/ Dynamic Radar Cruise Control
* 2 : w/o Dynamic Radar Cruise Control





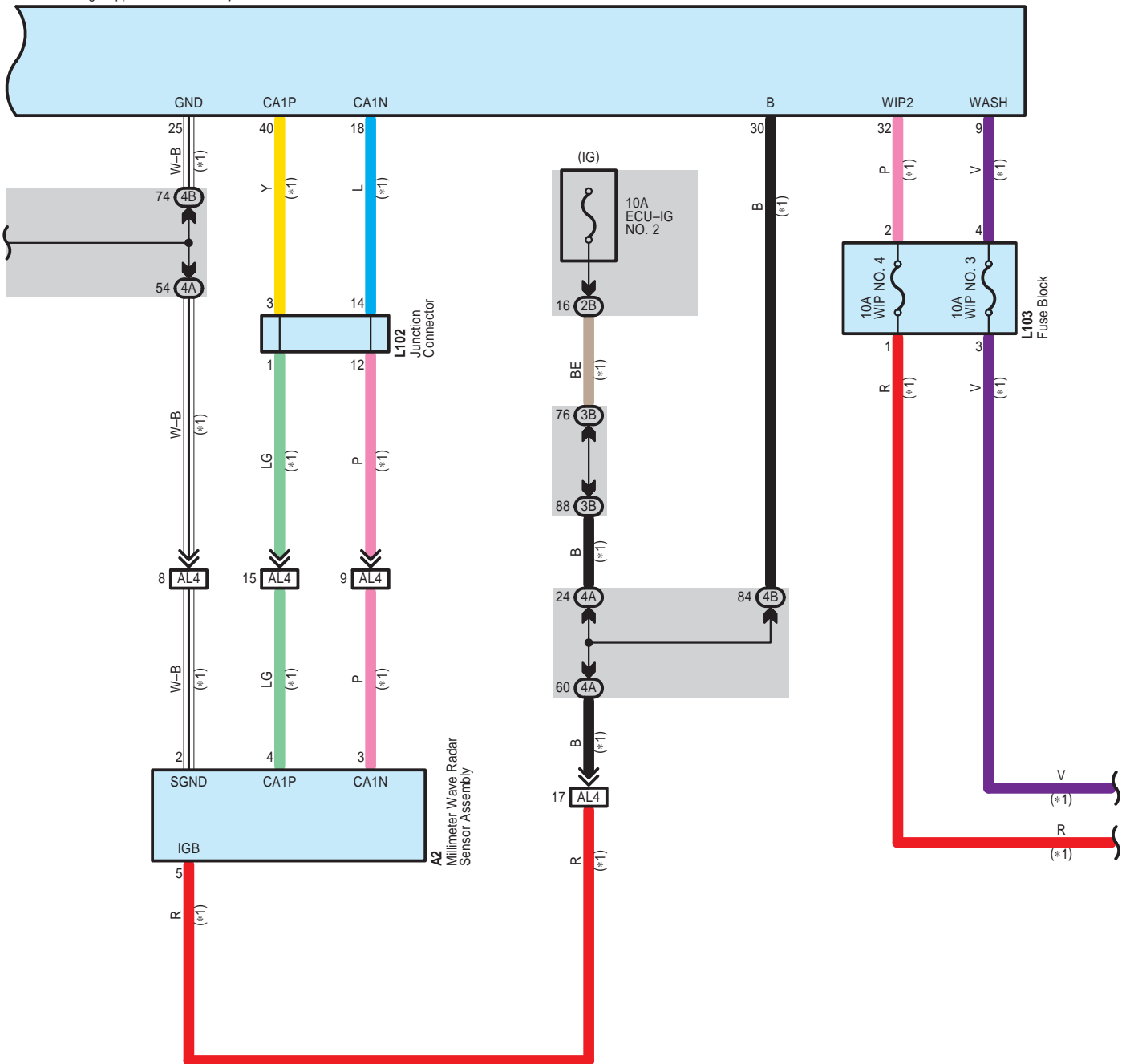


L60
Driving Support ECU Assembly



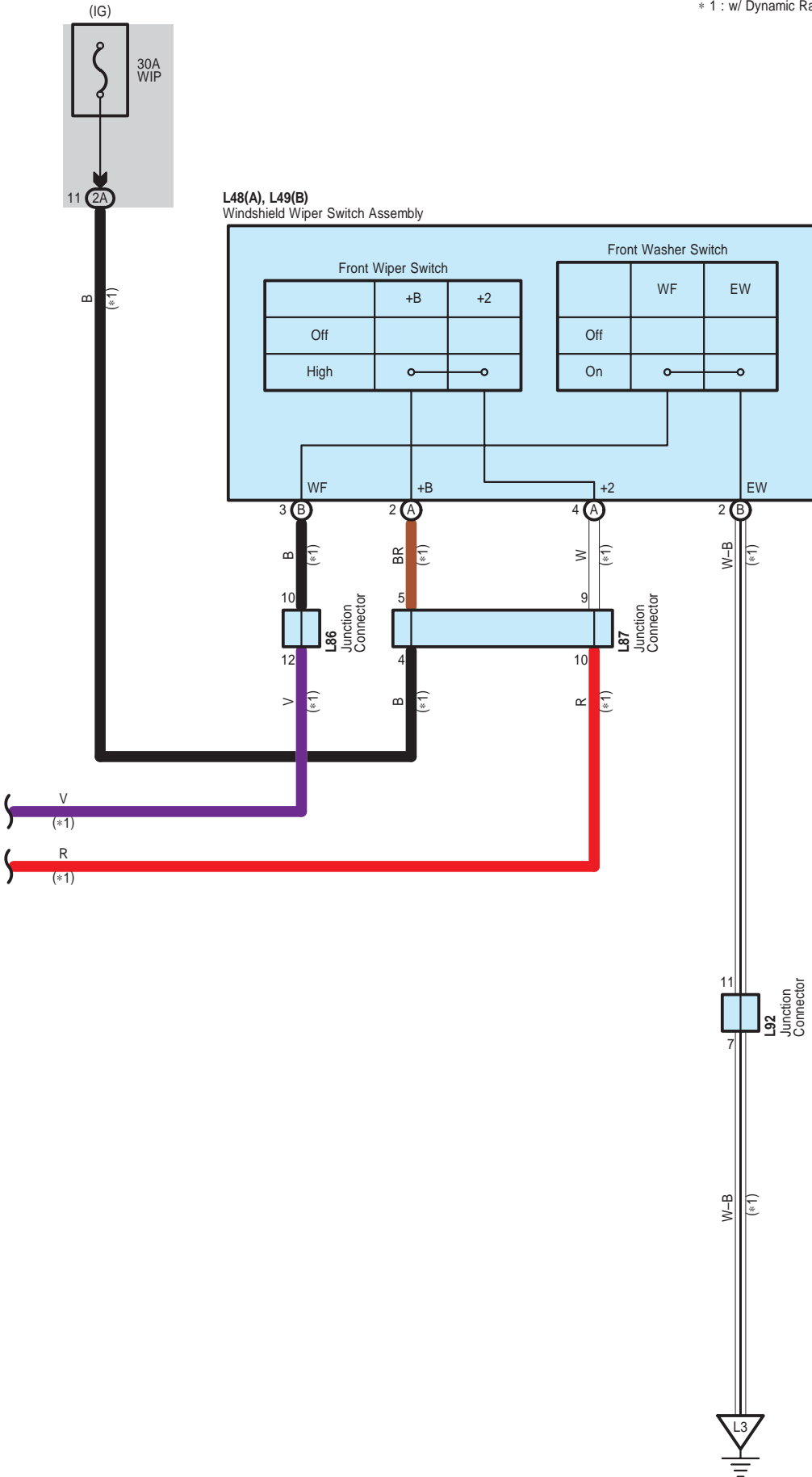
* 1 : w/ Dynamic Radar Cruise Control
* 2 : w/o Dynamic Radar Cruise Control

L60
Driving Support ECU Assembly



* 1 : w/ Dynamic Radar Cruise Control

* 1 : w/ Dynamic Radar Cruise Control



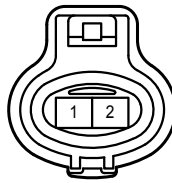
A 2
Black



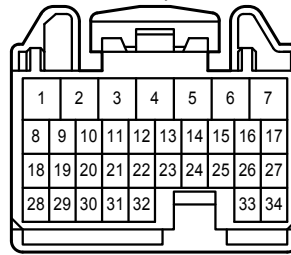
A 17
Gray



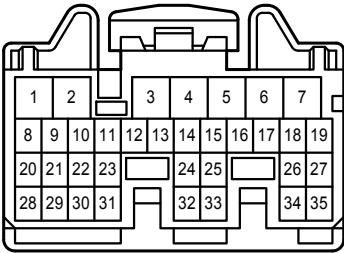
A 18
Black



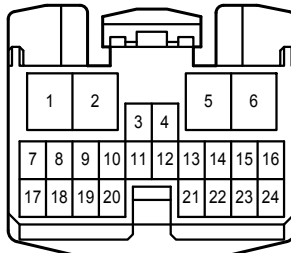
A 21
Gray



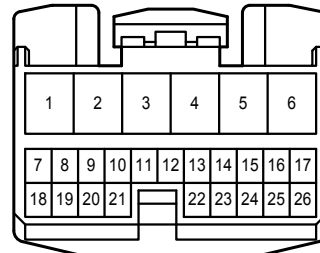
A 22
Gray



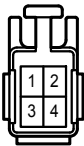
A 23
White



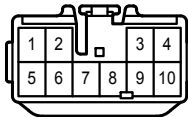
A 24
White



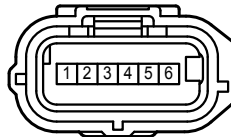
A 26
White



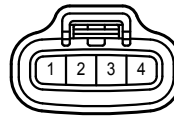
A 28
Black



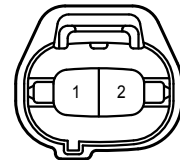
A 29
Black



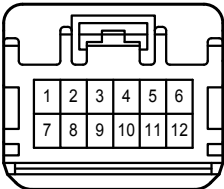
A 30
Black



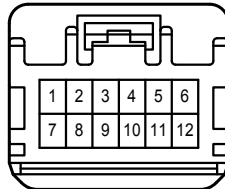
A 32
Black



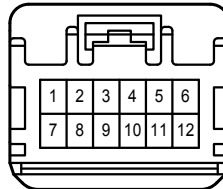
A 50
White



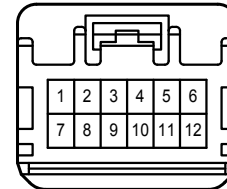
A 51
White



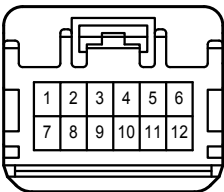
A 52
Black



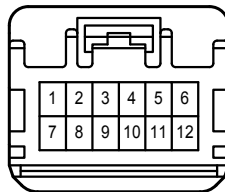
A 53
Black



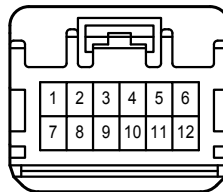
A 54
Black



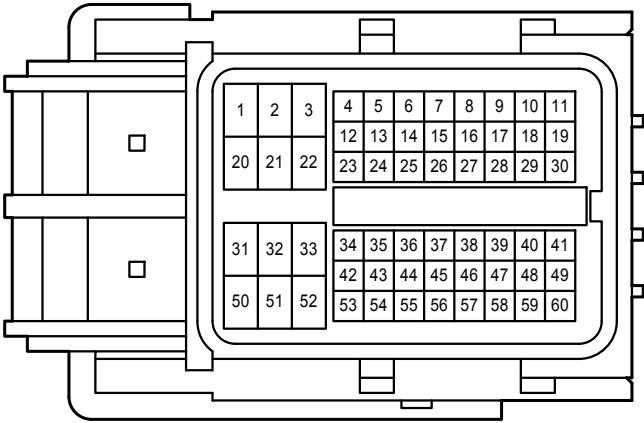
A 55
Black



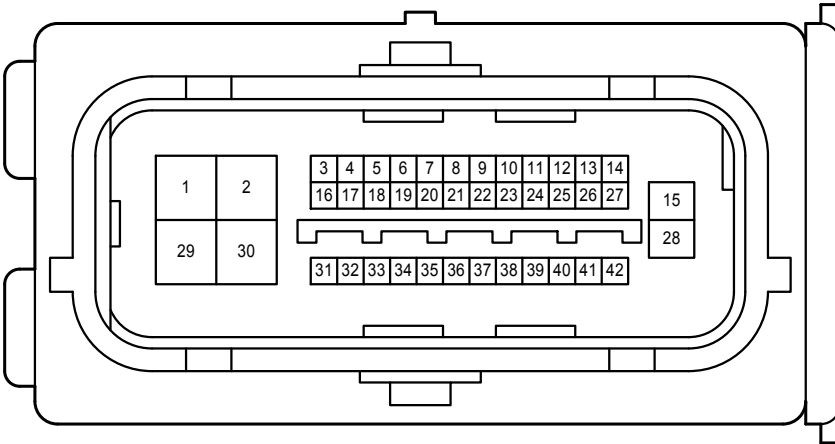
A 56
White



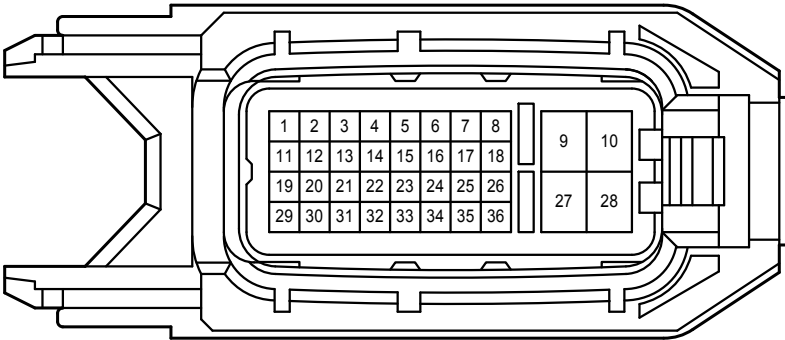
A 57
Black



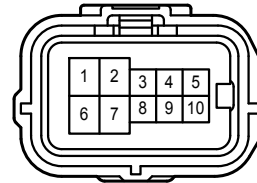
A 58
Gray



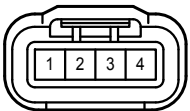
A 59
Black



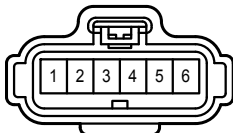
D 2
Black



D 3
Black



D 4
Black



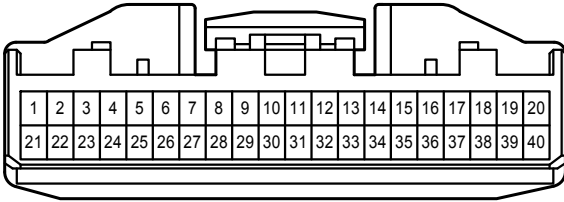
D 5
Black



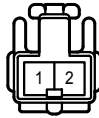
D 6
Black



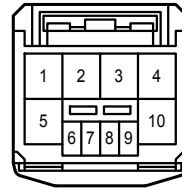
L 27
White



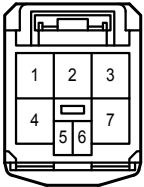
L 46
Blue



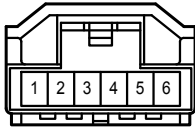
L 48
White



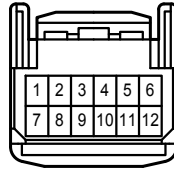
L 49
White



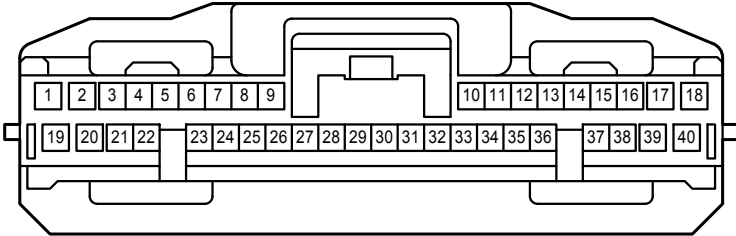
L 51
White



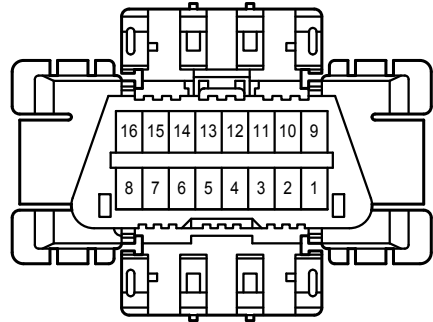
L 52
Black



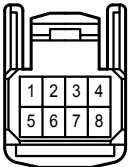
L 60
White



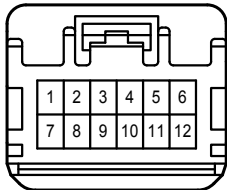
L 61
White



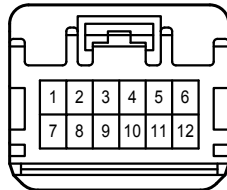
L 78
Black



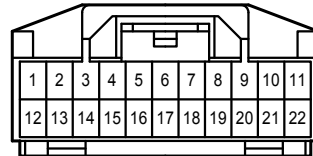
L 86
Black



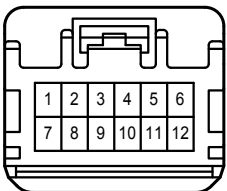
L 87
Black



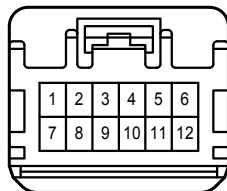
L 89
Black



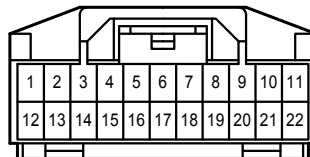
L 92
White



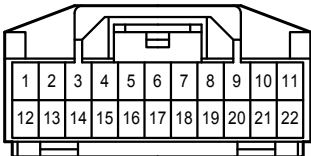
L 93
White



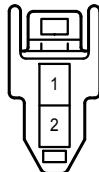
L 94
White



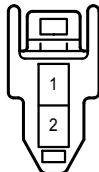
L 95
White



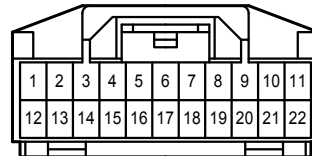
L 97
White



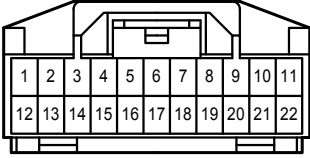
L 99
White



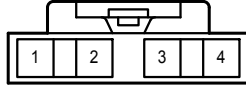
L 101
Black



L102
Blue



L103
White



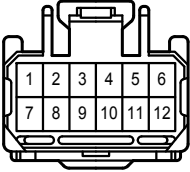
R 11
Dark Gray



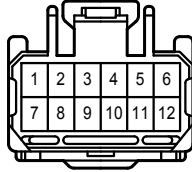
R 17
White



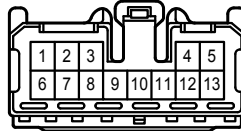
R 28
White



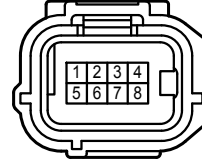
R 29
White



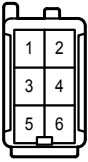
R 31
White



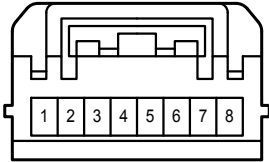
S 16
Gray



S 18
White



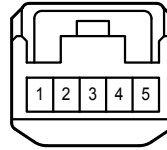
b 1
White



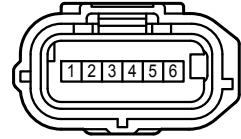
d 1
White



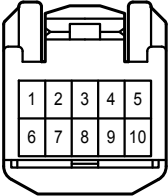
z 5
White



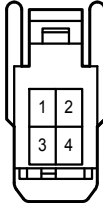
z 6
White



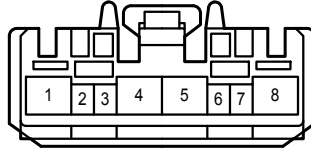
z 9
White



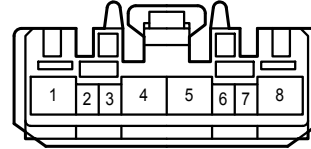
z 10
White



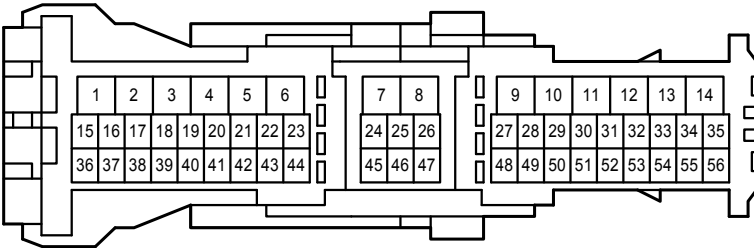
1A
White



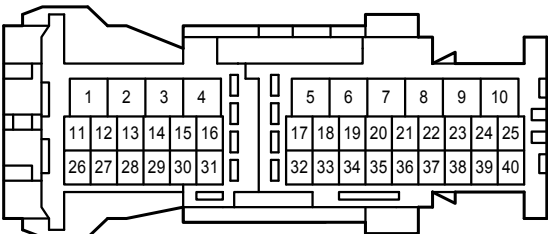
1B
White



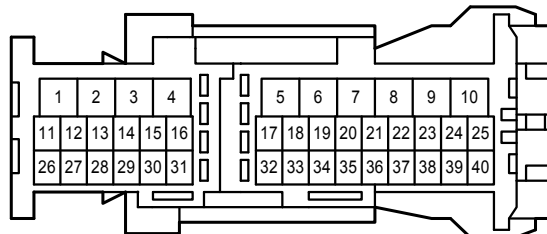
2A
White



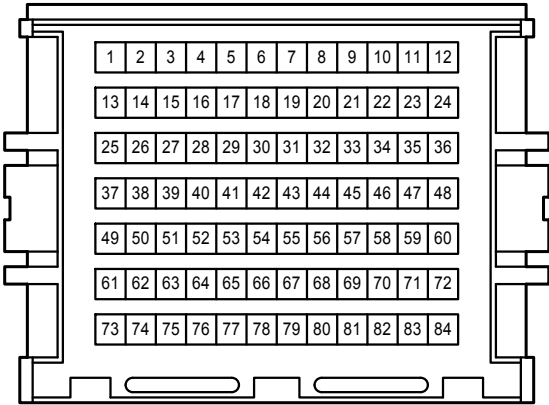
2B
White



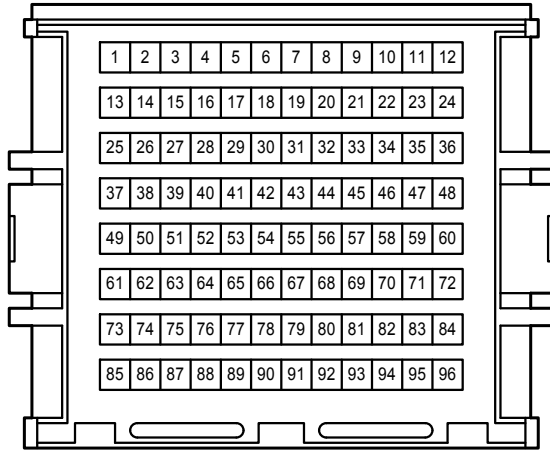
2C
White



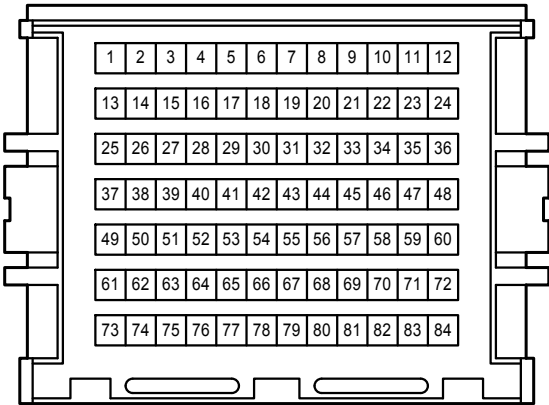
3A
White



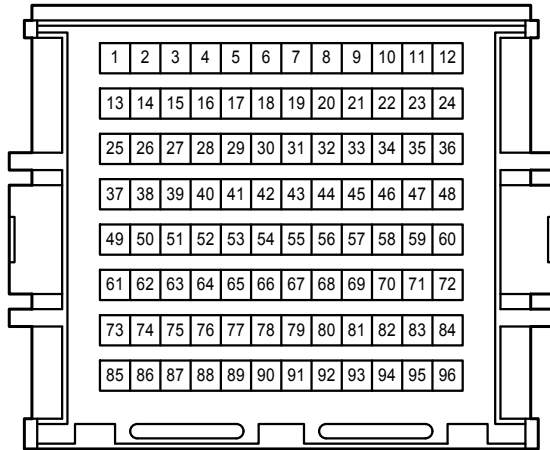
3B
White



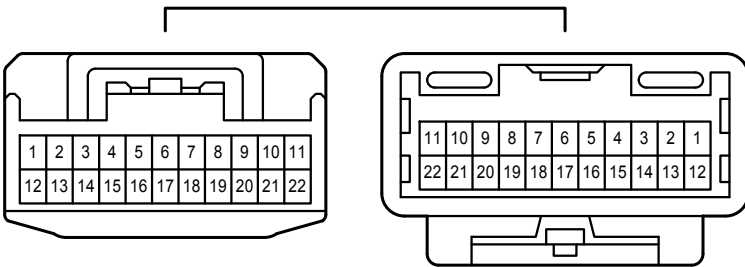
4A
White



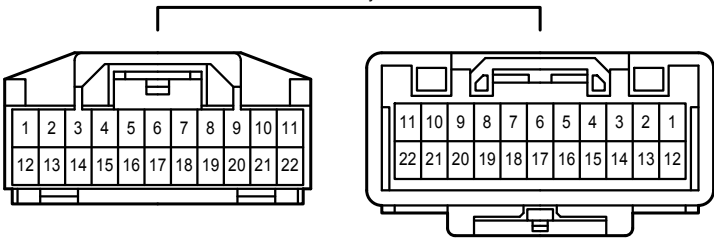
4B
White



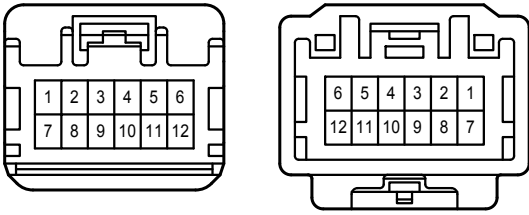
AL1
Blue



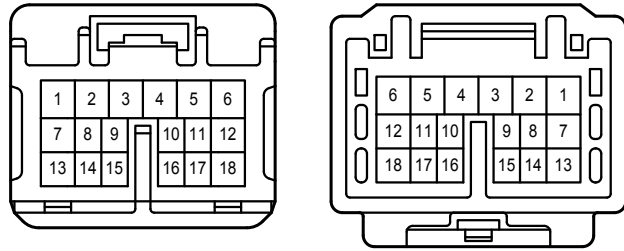
AL2
Gray



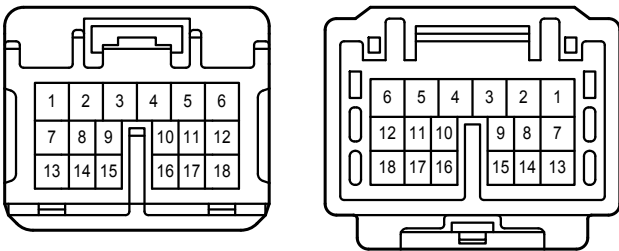
AL3
White



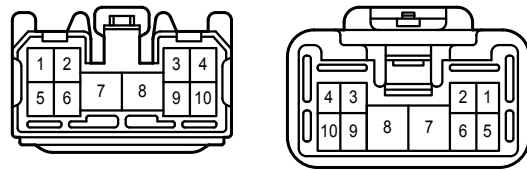
AL4
Black



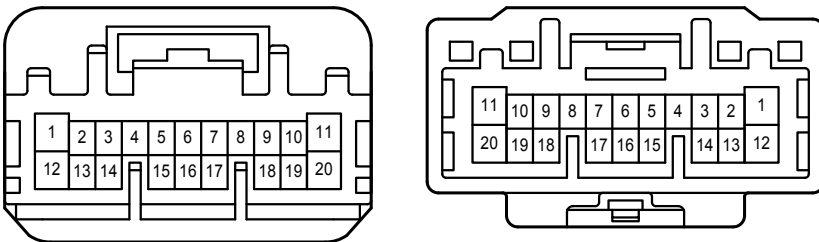
AL8
White



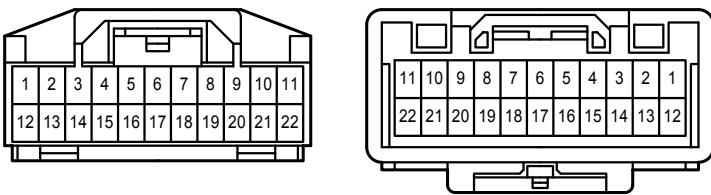
AR1
White



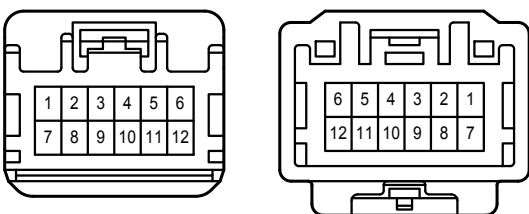
AS1
White



DA1
White



DA2
White



DG1
Gray

