

Last Modified: 01-14-2019

6.8:8.0.48

Doc ID: RM100000000QVI5

Model Year Start: 2016

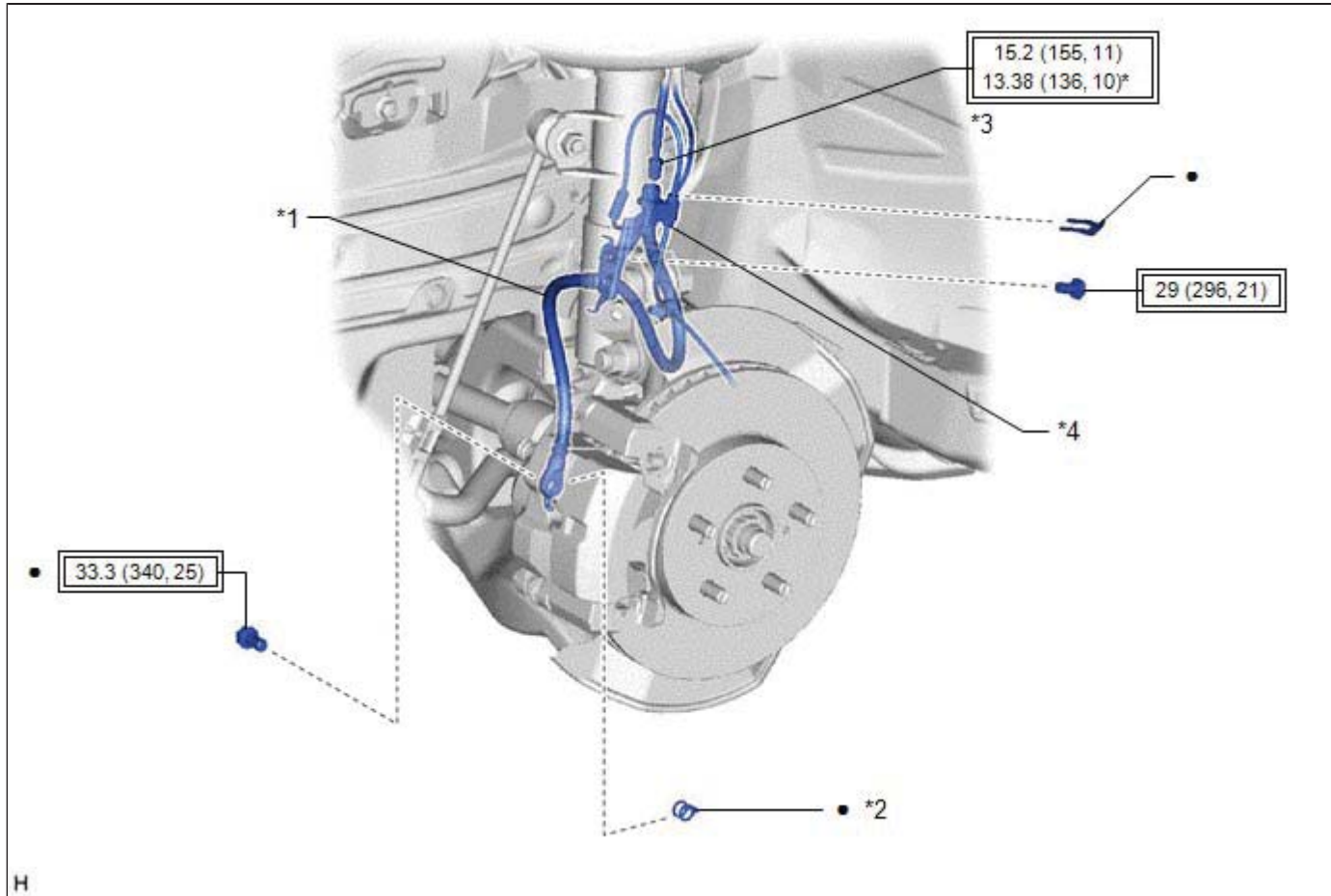
Model: Prius


Prod Date Range: [11/2015 -]

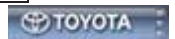
Title: BRAKE (FRONT): FRONT BRAKE FLEXIBLE HOSE: COMPONENTS; 2016 - 2019 MY Prius [11/2015 -]

COMPONENTS

ILLUSTRATION



*1	FRONT FLEXIBLE HOSE	*2	GASKET
*3	BRAKE LINE	*4	FRONT SPEED SENSOR
	Tightening torque for "Major areas involving basic vehicle performance such as moving/turning/stopping" : N*m (kgf*cm, ft.*lbf)	*	For use with a union nut wrench
•	Non-reusable part	-	-



Last Modified: 01-14-2019	6.8:8.0.48	Doc ID: RM100000000QVI4
Model Year Start: 2016	Model: Prius	Prod Date Range: [11/2015 -]
Title: BRAKE (FRONT): FRONT BRAKE FLEXIBLE HOSE: INSTALLATION; 2016 - 2019 MY Prius [11/2015 -]		

INSTALLATION

CAUTION / NOTICE / HINT

NOTICE:

- Because the left and right front flexible hoses are not interchangeable, verify the part number when installing the front flexible hoses.
- When reusing the front flexible hoses, use the identification marks created during removal to install each front flexible hose to its original position.

HINT:

- Use the same procedure for the RH side and LH side.
- The following procedure is for the LH side.

PROCEDURE

1. INSTALL FRONT FLEXIBLE HOSE

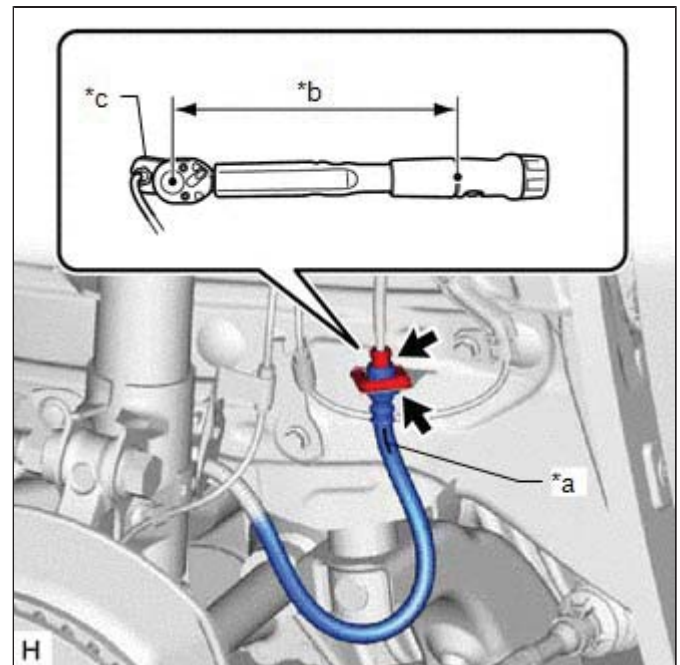
NOTICE:

When installing the front flexible hose, minimize twisting of the hose.

(a) Install a new clip to the front flexible hose.

NOTICE:

- Install the clip as far as it will go.
- When installing the front flexible hose, face the identification mark to the outside of the vehicle.



*a	Identification Mark
*b	Torque Wrench Fulcrum Length
*c	Union Nut Wrench

(b) Using a union nut wrench, connect the brake line to the front flexible hose while holding the front flexible hose with a wrench.

Torque:

Specified tightening torque :

15.2 N·m { 155 kgf·cm, 11 ft·lbf }

NOTICE:

- Do not kink or damage the brake line.
- Do not allow any foreign matter such as dirt or dust to enter the brake line from the connecting parts.

HINT:

- Calculate the torque wrench reading when changing the fulcrum length of the torque wrench.

Click here [INFO](#) [INFO](#) [INFO](#)

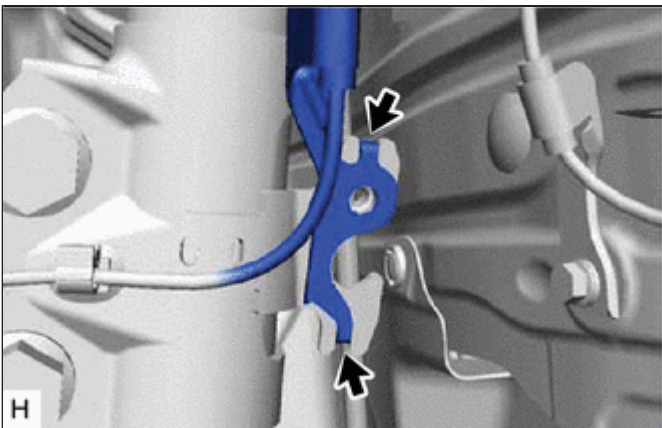
- When using a union nut wrench (fulcrum length of 22 mm (0.866 in.)) + torque wrench (fulcrum length of 162 mm (6.38 in.)):

13.38 N*m (136 kgf*cm, 10 ft.*lbf)

(c) Engage the 2 hooks to install the front speed sensor clamp bracket.

NOTICE:

Do not twist the front speed sensor wire harness when installing it.



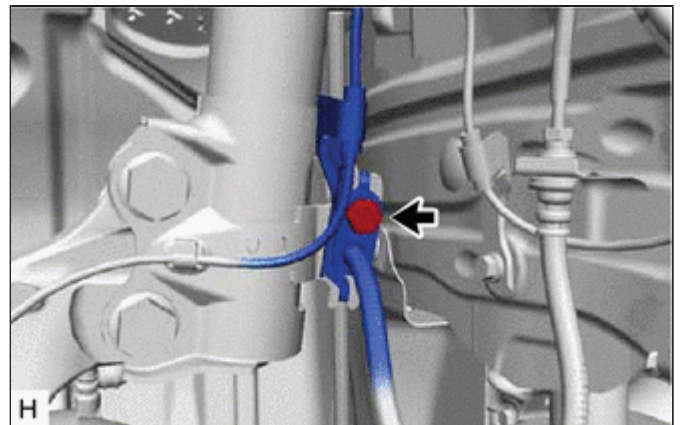
(d) Install the front flexible hose and speed sensor to the shock absorber assembly with the bolt.

Torque:

29 N·m { 296 kgf·cm, 21 ft·lbf }

NOTICE:

Do not twist the front flexible hose when installing it.



(e) Connect the front flexible hose to the front disc brake cylinder assembly with a new union bolt and a new gasket.

Torque:

33.3 N·m { 340 kgf·cm, 25 ft·lbf }

NOTICE:

- Install the front flexible hose lock securely into the lock hole in the front disc brake cylinder assembly.
- Do not twist the front flexible hose when installing it.

2. CONNECT CABLE TO NEGATIVE AUXILIARY BATTERY TERMINAL

- Connect the reservoir level switch connector.
- Connect the cable to the negative (-) auxiliary battery terminal.

Click here [INFO](#) [INFO](#)

- Clear the DTCs.

Click here [INFO](#) [INFO](#)

3. BLEED BRAKE LINE

Click here [INFO](#)

4. INSTALL FRONT WHEEL

Click here [INFO](#) [INFO](#)



Last Modified: 01-14-2019	6.8:8.0.48	Doc ID: RM100000000QVI6
Model Year Start: 2016	Model: Prius	Prod Date Range: [11/2015 - 12/2018]
Title: BRAKE (FRONT): FRONT BRAKE FLEXIBLE HOSE: REMOVAL; 2016 - 2018 MY Prius [11/2015 - 12/2018]		

REMOVAL

CAUTION / NOTICE / HINT

The necessary procedures (adjustment, calibration, initialization, or registration) that must be performed after parts are removed and installed, or replaced during front brake flexible hose removal/installation are shown below.

Necessary Procedures After Parts Removed/Installed/Replaced

REPLACED PART OR PERFORMED PROCEDURE	NECESSARY PROCEDURE	EFFECT/INOPERATIVE FUNCTION WHEN NECESSARY PROCEDURE NOT PERFORMED	LINK
Auxiliary battery terminal is disconnected/reconnected	Memorize steering angle neutral point	Lane departure alert system (w/ Steering Control)	INFO
		Intelligent clearance sonar system	
		Simple advanced parking guidance system	
		Pre-collision system	
	Initialize back door lock	Power door lock control system	INFO

NOTICE:

If both left and right front flexible hoses are disconnected at the same time, be sure to place an identification mark on each hose to indicate its installation position.

HINT:

- Use the same procedure for the RH side and LH side.
- The following procedure is for the LH side.

PROCEDURE

1. PRECAUTION

NOTICE:

After turning the power switch off, waiting time may be required before disconnecting the cable from the negative (-) auxiliary battery terminal. Therefore, make sure to read the disconnecting the cable from the negative (-) auxiliary battery terminal notices before proceeding with work.

Click here [INFO](#) [INFO](#)

2. DISABLE BRAKE CONTROL

Click here [INFO](#)

3. REMOVE FRONT WHEEL

Click here [INFO](#)

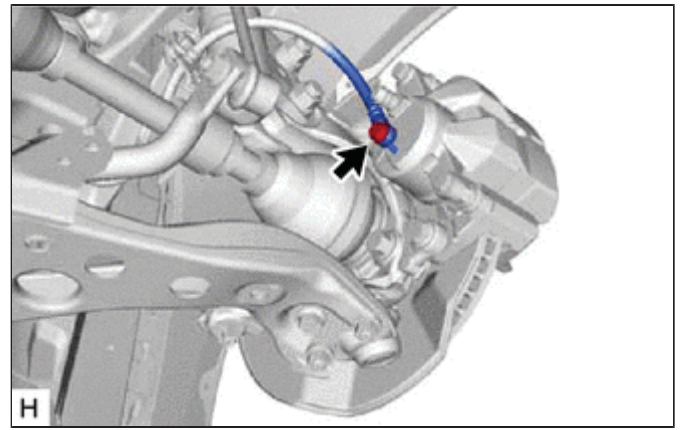
4. DRAIN BRAKE FLUID

NOTICE:

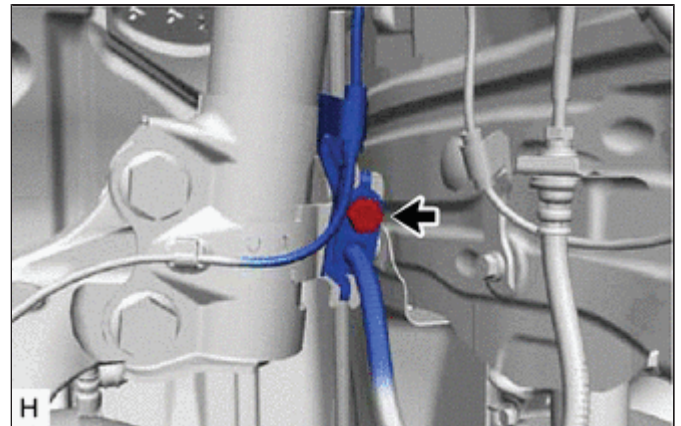
If brake fluid leaks onto any painted surface, immediately wash it off.

5. REMOVE FRONT FLEXIBLE HOSE

- (a) Remove the union bolt and gasket, and disconnect the front flexible hose from the front disc brake cylinder assembly.



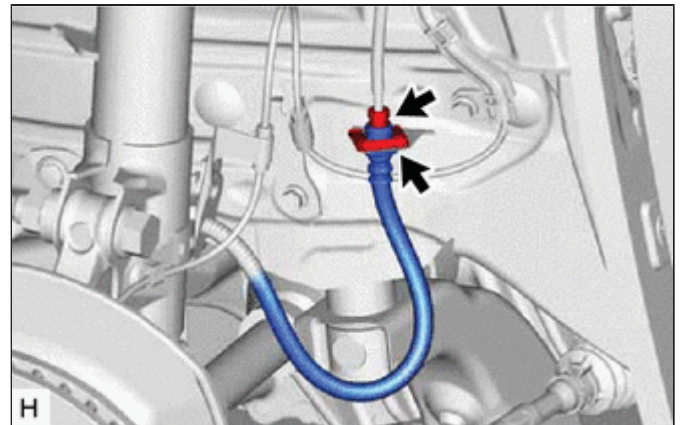
- (b) Remove the bolt and separate the front flexible hose from the shock absorber assembly.



- (c) Using a union nut wrench, disconnect the brake line while holding the front flexible hose with a wrench.

NOTICE:

- Do not kink or damage the brake line.
- Do not allow any foreign matter such as dirt or dust to enter the brake line from the connecting parts.

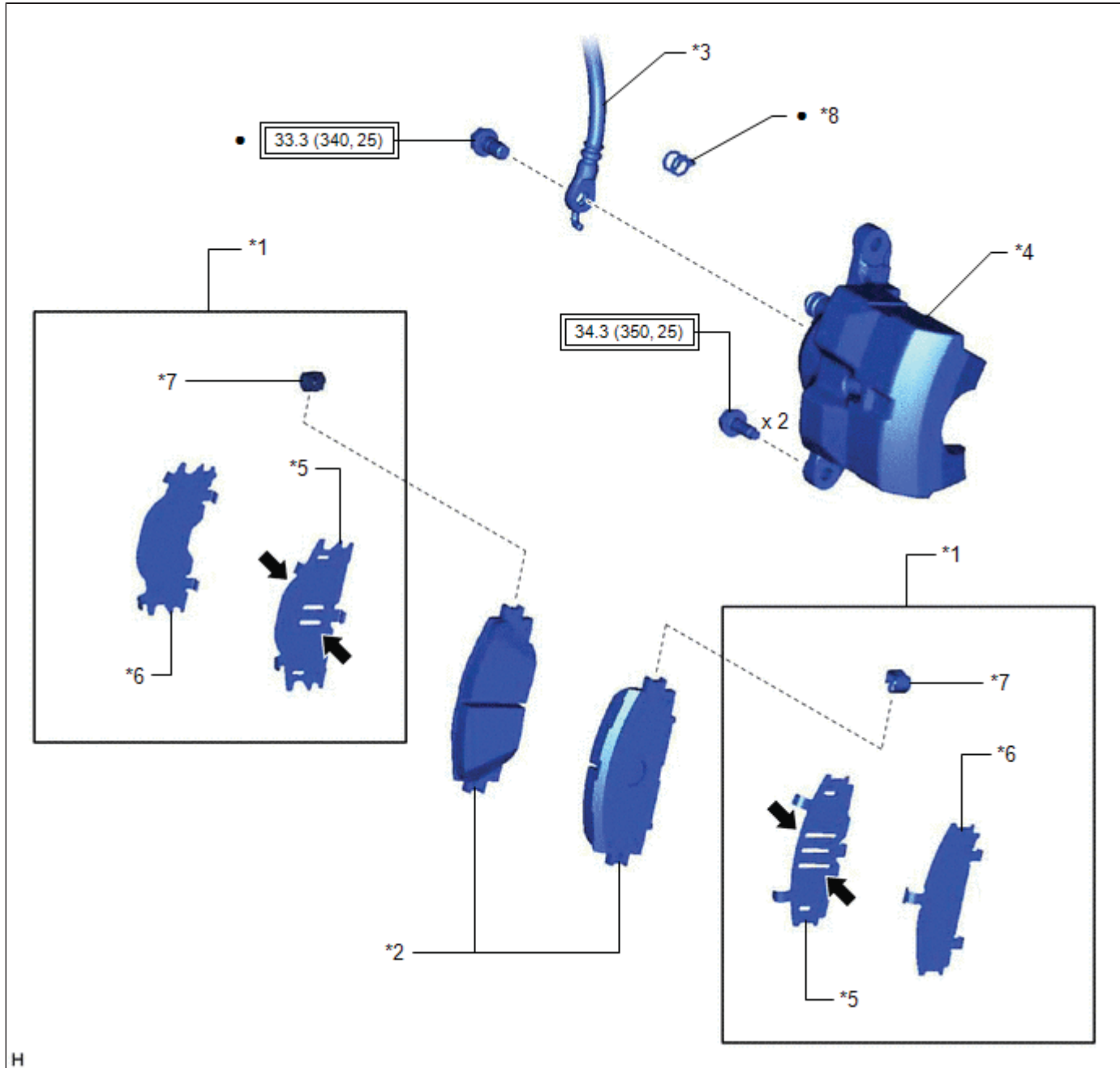


- (d) Remove the clip and front flexible hose from the vehicle.





COMPONENTS

ILLUSTRATION

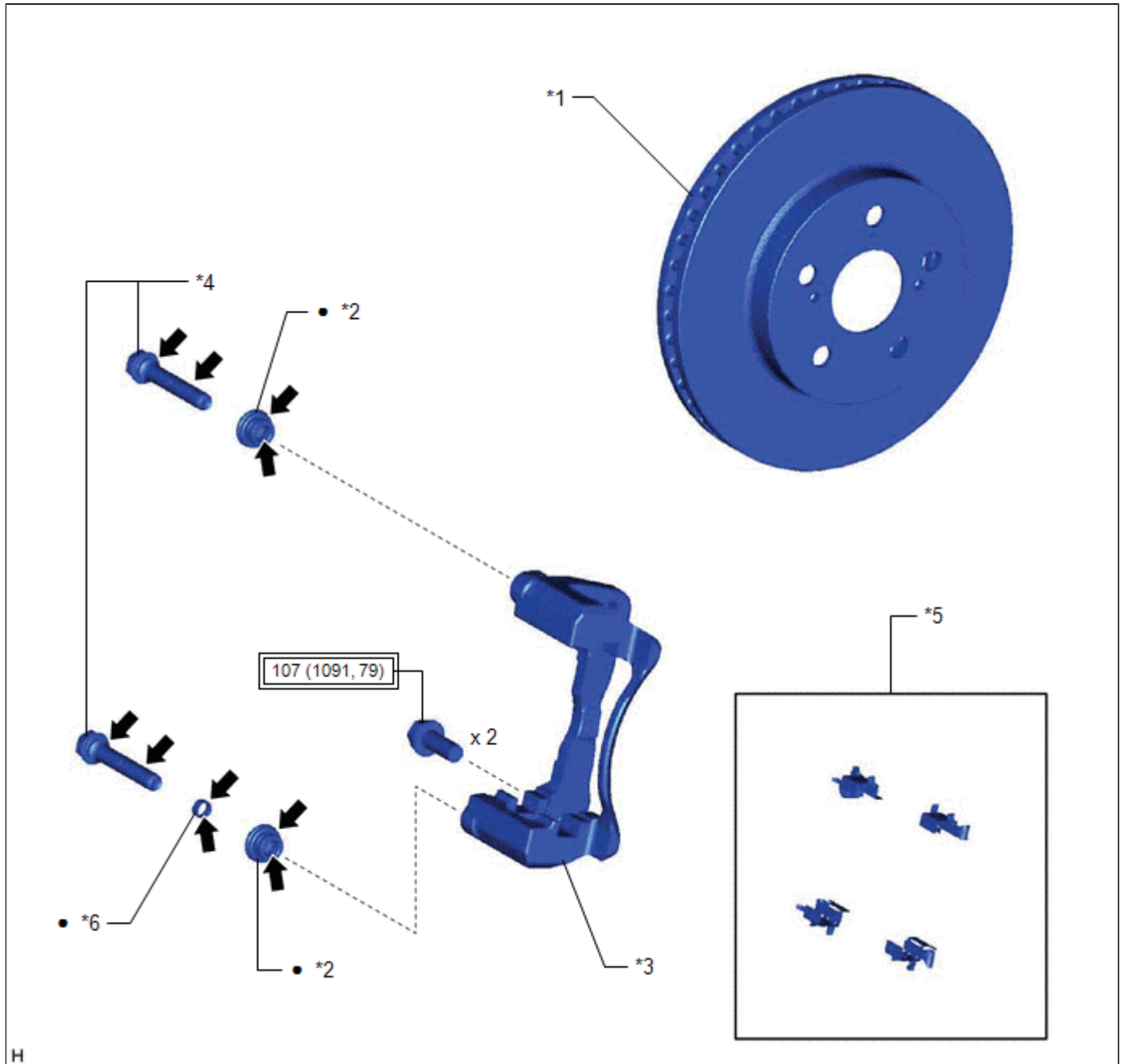


H



*1	FRONT DISC BRAKE ANTI-SQUEAL SHIM KIT	*2	FRONT DISC BRAKE PAD
*3	FRONT FLEXIBLE HOSE	*4	FRONT DISC BRAKE CYLINDER ASSEMBLY
	FRONT NO. 1 DISC BRAKE ANTI-		FRONT NO. 2 DISC BRAKE ANTI-

*5	SQUEAL SHIM	*6	SQUEAL SHIM
*7	FRONT DISC BRAKE PAD WEAR INDICATOR PLATE	*8	GASKET
	Tightening torque for "Major areas involving basic vehicle performance such as moving/turning/stopping" : N*m (kgf*cm, ft.*lbf)	•	Non-reusable part
	Disc brake grease	-	-

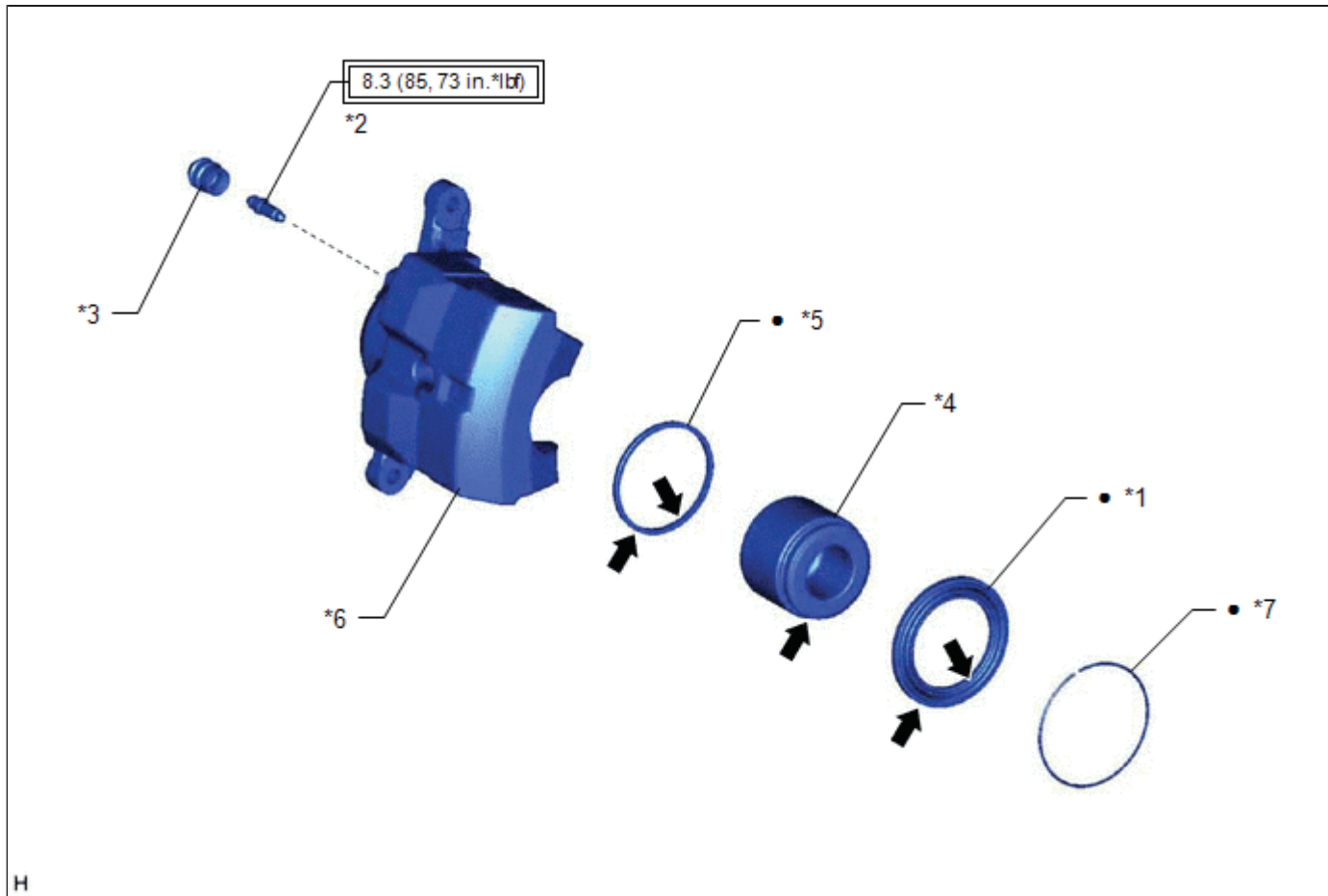
ILLUSTRATION





--	--	--	--

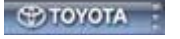
*1	FRONT DISC	*2	FRONT DISC BRAKE BUSHING DUST BOOT
*3	FRONT DISC BRAKE CYLINDER MOUNTING	*4	FRONT DISC BRAKE CYLINDER SLIDE PIN
*5	FRONT DISC BRAKE PAD SUPPORT PLATE	*6	FRONT DISC BRAKE CYLINDER SLIDE BUSHING
	Tightening torque for "Major areas involving basic vehicle performance such as moving/turning/stopping" : N*m (kgf*cm, ft.*lbf)	•	Non-reusable part
	Lithium soap base glycol grease	-	-

ILLUSTRATION



*1	CYLINDER BOOT	*2	FRONT DISC BRAKE BLEEDER PLUG
*3	FRONT DISC BRAKE BLEEDER PLUG CAP	*4	FRONT DISC BRAKE PISTON
*5	PISTON SEAL	*6	FRONT DISC BRAKE CYLINDER

*7	SET RING	-	-
	Tightening torque for "Major areas involving basic vehicle performance such as moving/turning/stopping" : N*m (kgf*cm, ft.*lbf)	•	Non-reusable part
	Lithium soap base glycol grease	-	-



Last Modified: 01-14-2019	6.8:8.0.48	Doc ID: RM100000000QV11
Model Year Start: 2016	Model: Prius	Prod Date Range: [11/2015 -]
Title: BRAKE (FRONT): FRONT BRAKE: DISASSEMBLY; 2016 - 2019 MY Prius [11/2015 -]		

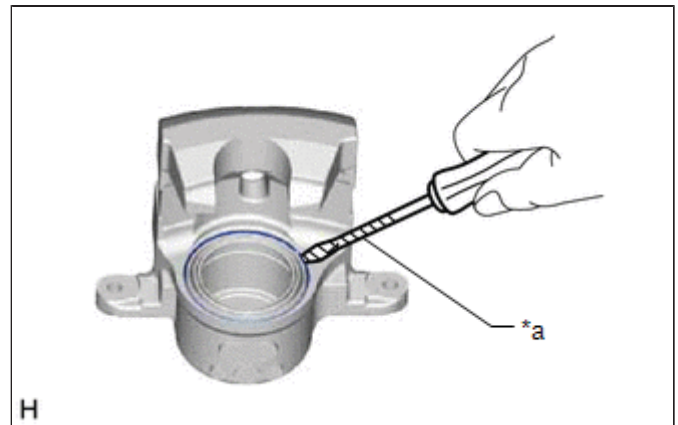
DISASSEMBLY

CAUTION / NOTICE / HINT

PROCEDURE

1. REMOVE CYLINDER BOOT

- (a) Using a screwdriver with its tip wrapped with protective tape, remove the set ring from the front disc brake cylinder.

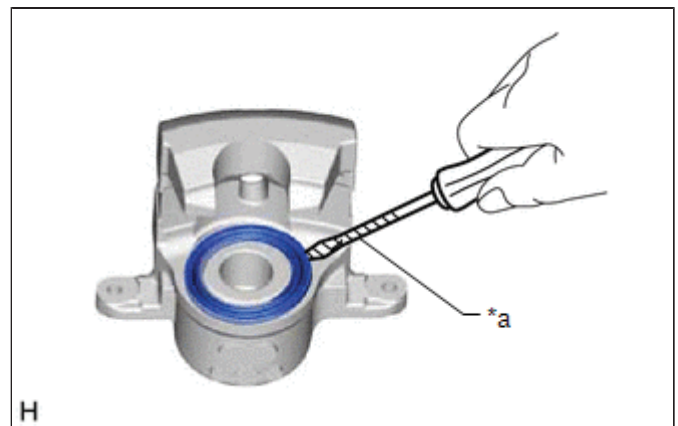


*a	Protective Tape
----	-----------------

- (b) Remove the cylinder boot from the front disc brake cylinder.

NOTICE:

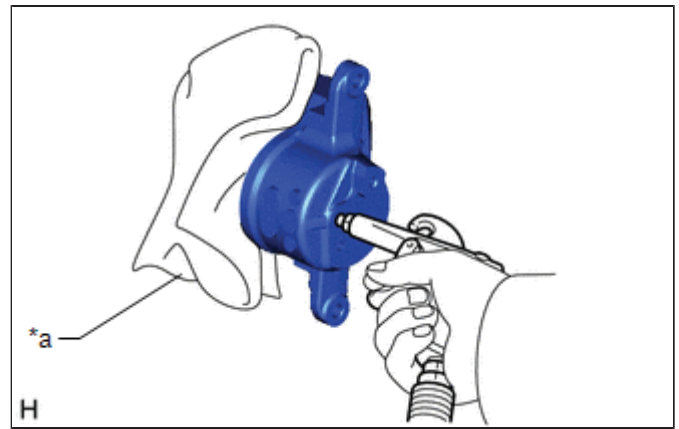
Be careful not to damage the front disc brake cylinder.



*a	Protective Tape
----	-----------------

2. REMOVE FRONT DISC BRAKE PISTON

(a) Place a piece of cloth between the front disc brake piston and front disc brake cylinder.

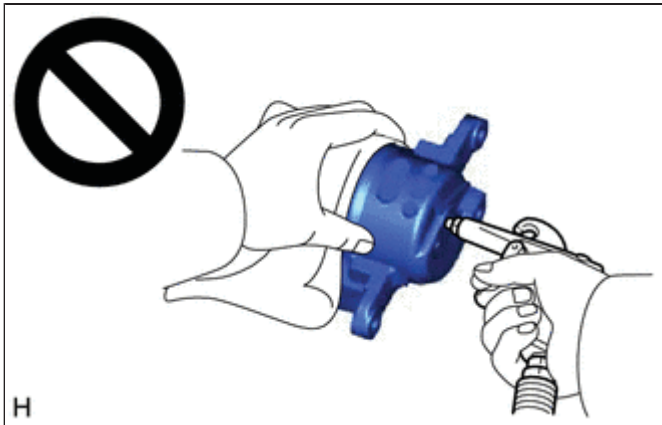


*a	Cloth
----	-------

(b) Apply compressed air to remove the front disc brake piston from the front disc brake cylinder.

CAUTION:

- Do not hold the front disc brake cylinder with any part of your hand between the front disc brake cylinder and front disc brake piston.
- Do not place any part of your hand in front of the front disc brake piston when using compressed air as a severe injury may result.



NOTICE:

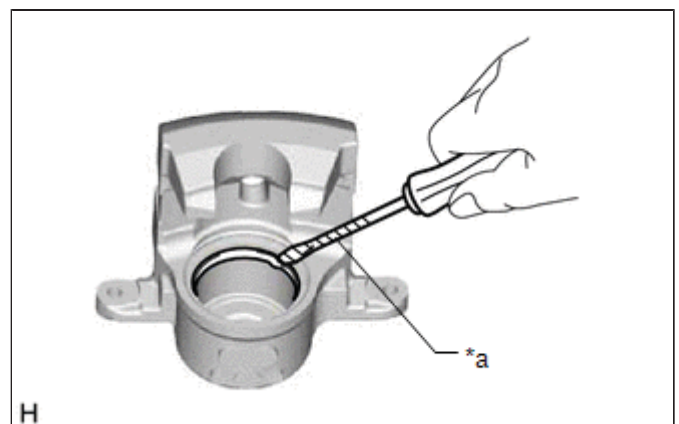
Do not allow any brake fluid to spatter.

3. REMOVE PISTON SEAL

(a) Using a screwdriver with its tip wrapped with protective tape, remove the piston seal from the front disc brake cylinder.

NOTICE:

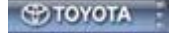
Do not damage the inner surface or piston seal groove of the front disc brake cylinder.



*a	Protective Tape
----	-----------------

4. REMOVE FRONT DISC BRAKE BLEEDER PLUG CAP

5. REMOVE FRONT DISC BRAKE BLEEDER PLUG



Last Modified: 01-14-2019	6.8:8.0.48	Doc ID: RM100000000QVHY
Model Year Start: 2016	Model: Prius	Prod Date Range: [11/2015 -]
Title: BRAKE (FRONT): FRONT BRAKE: INSPECTION; 2016 - 2019 MY Prius [11/2015 -]		

INSPECTION

PROCEDURE

1. INSPECT BRAKE CYLINDER AND PISTON

- (a) Check the front disc brake cylinder bore and front disc brake piston for rust and scoring. If necessary, replace the front disc brake cylinder assembly and front disc brake piston.

2. INSPECT PAD LINING THICKNESS

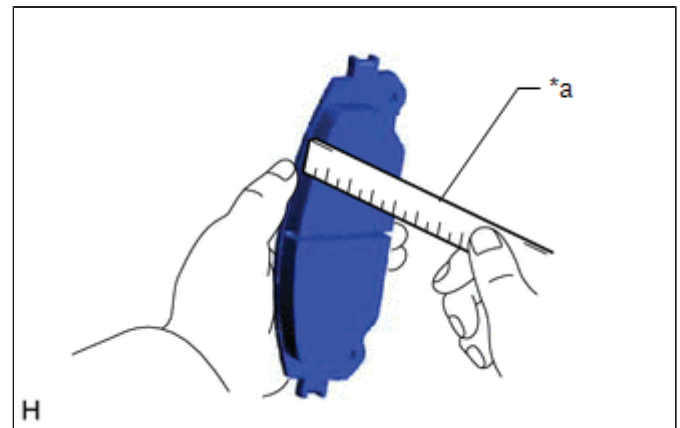
- (a) Using a ruler, measure the front disc brake pad lining thickness.

OK:

SPECIFIED CONDITION	STANDARD THICKNESS	MINIMUM THICKNESS
1.0 mm or higher	10.0 mm	1.0 mm
0.0394 in. or higher	0.3937 in.	0.0394 in.

HINT:

- If a front disc brake pad lining thickness is less than the minimum thickness, replace the front disc brake pads.
- Be sure to check front disc thickness when replacing the front disc brake pads with new ones.



*a	Ruler
----	-------

3. INSPECT FRONT DISC BRAKE PAD SUPPORT PLATE

- (a) Make sure that the front disc brake pad support plates have sufficient rebound, no deformation, cracks or wear, and that all rust and dirt is cleaned off. If necessary, replace the front disc brake pad support plates.

4. INSPECT DISC THICKNESS

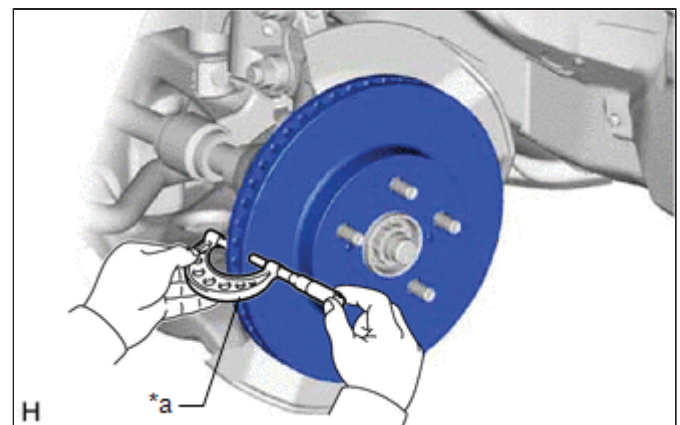
- (a) Using a micrometer, measure the front disc thickness.

OK:

SPECIFIED CONDITION	STANDARD THICKNESS	MINIMUM THICKNESS
22.0 mm or higher	25.0 mm	22.0 mm
0.8661 in. or higher	0.9843 in.	0.8661 in.

HINT:

If the front disc thickness is less than the minimum thickness, replace the front disc.



*a	Micrometer
----	------------

5. INSPECT DISC RUNOUT

(a) Inspect the front axle hub bearing looseness and front axle hub runout.

Click here [INFO](#) [INFO](#)

(b) Temporarily install the front disc with the 5 hub nuts.

Torque:

103 N·m { 1050 kgf·cm, 76 ft·lbf }

(c) Using a dial indicator, measure the disc runout 10 mm (0.394 in.) from the outer edge of the front disc.

Maximum Disc Runout:

SPECIFIED CONDITION
0.05 mm or less
0.00196 in. or less

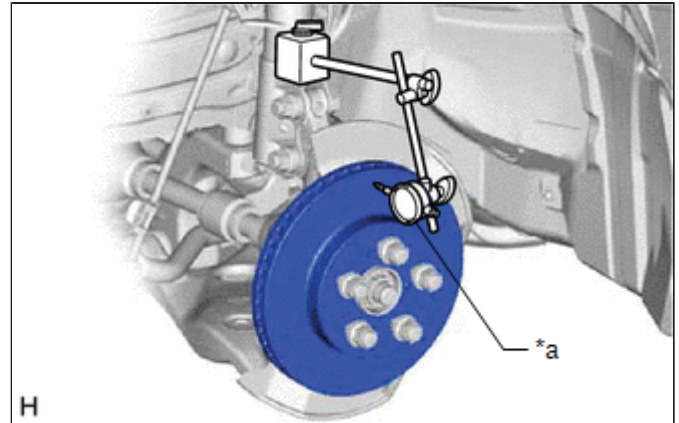
NOTICE:

Keep the magnet of the dial indicator away from the front speed sensor.

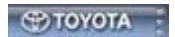
HINT:

If the runout exceeds the maximum value, change the installation position of the front disc to minimize the runout. If the runout exceeds the maximum even when the installation position is changed, grind the front disc. If the front disc thickness is less than the minimum, replace the front disc.

(d) Remove the 5 hub nuts and front disc.



*a Dial Indicator



Last Modified: 01-14-2019	6.8: 8.0.48	Doc ID: RM100000000QVHX
Model Year Start: 2016	Model: Prius	Prod Date Range: [11/2015 -]
Title: BRAKE (FRONT): FRONT BRAKE: INSTALLATION; 2016 - 2019 MY Prius [11/2015 -]		

INSTALLATION

CAUTION / NOTICE / HINT

NOTICE:

- Immediately after installing the brake pads, the braking performance may be reduced. Always perform a road test in a safe place while paying attention to the surroundings.
- When the brake pedal is first depressed after replacing the brake pads or pushing back the disc brake piston, DTC C1214 may be stored. As there is no malfunction, clear the DTC.
- While the auxiliary battery is connected, even if the power switch is off, the brake control system activates when the brake pedal is depressed or any door courtesy switch turns on. Therefore, when servicing the brake system components, do not operate the brake pedal or open/close the doors while the auxiliary battery is connected.
- After replacing the front disc brake pads, always perform a road test to check the braking performance and check for vibrations.

HINT:

- Use the same procedure for the RH side and LH side.
- The following procedure is for the LH side.

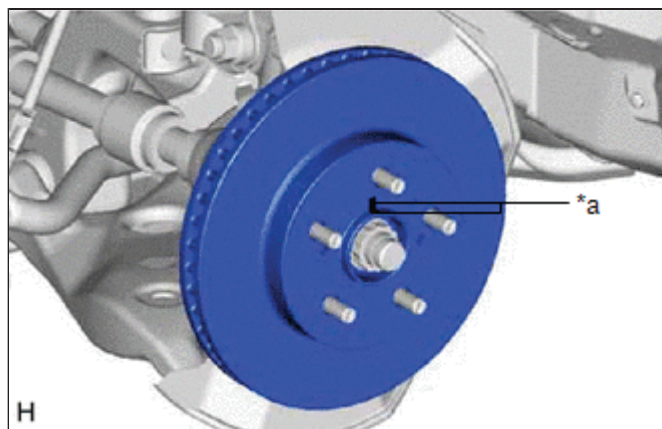
PROCEDURE

1. INSTALL FRONT DISC

- (a) Align the matchmarks of the front disc and front axle hub sub-assembly, and install the front disc.

NOTICE:

When replacing the front disc with a new one, select the installation position where the front disc has minimal runout.



*a	Matchmark
----	-----------

2. INSTALL FRONT DISC BRAKE CYLINDER MOUNTING

- (a) Install the front disc brake cylinder mounting to the steering knuckle with the 2 bolts.

Torque:

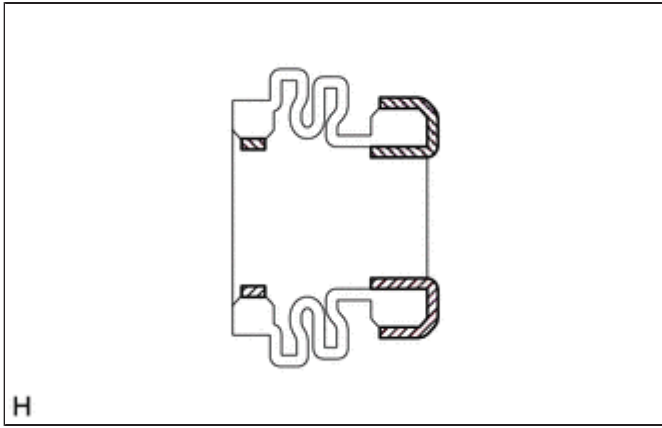
107 N·m { 1091 kgf·cm, 79 ft·lbf }

3. INSTALL FRONT DISC BRAKE BUSHING DUST BOOT

- (a) Apply a light layer of lithium soap base glycol grease to the entire circumference of 2 new front disc brake bushing dust boots.

HINT:

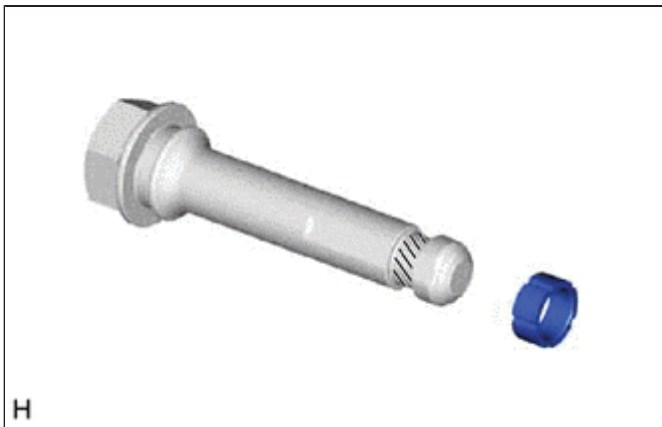
Apply more than 0.3 g (0.01 oz) of lithium soap base glycol grease to each front disc brake bushing dust boot.



(b) Install the 2 front disc brake bushing dust boots to the front disc brake cylinder mounting.

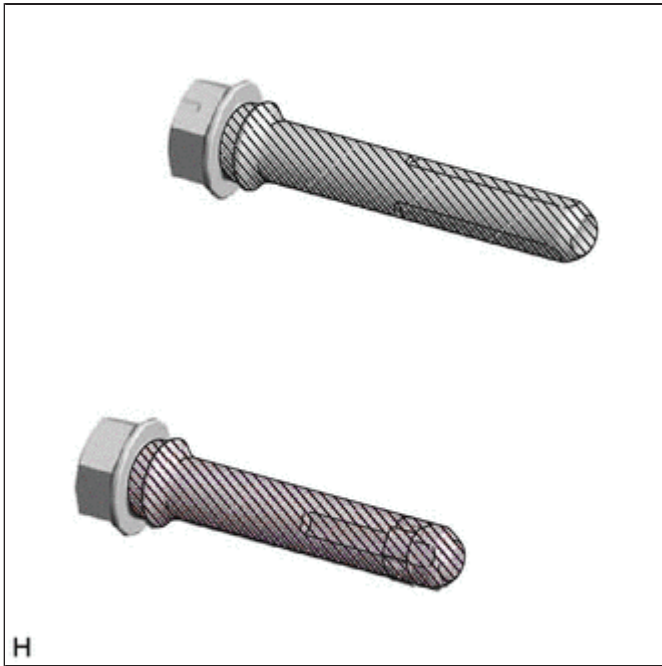
4. INSTALL FRONT DISC BRAKE CYLINDER SLIDE PIN


(a) Apply a light layer of lithium soap base glycol grease to the contact surface of the front disc brake cylinder slide pin (lower side).



(b) Install a new front disc brake cylinder slide bushing to the front disc brake cylinder slide pin (lower side).

(c) Apply a light layer of lithium soap base glycol grease to the sliding part and the sealing surfaces of the 2 front disc brake cylinder slide pins.



	Lithium Soap Base Glycol Grease
--	---------------------------------

(d) Install the 2 front disc brake cylinder slide pins to the front disc brake cylinder mounting.

(e) Push each front disc brake cylinder slide pin into the front disc brake bushing dust boot to engage the pin to the boot.

5. INSTALL FRONT DISC BRAKE PAD SUPPORT PLATE

(a) Install the 4 front disc brake pad support plates to the front disc brake cylinder mounting.

NOTICE:

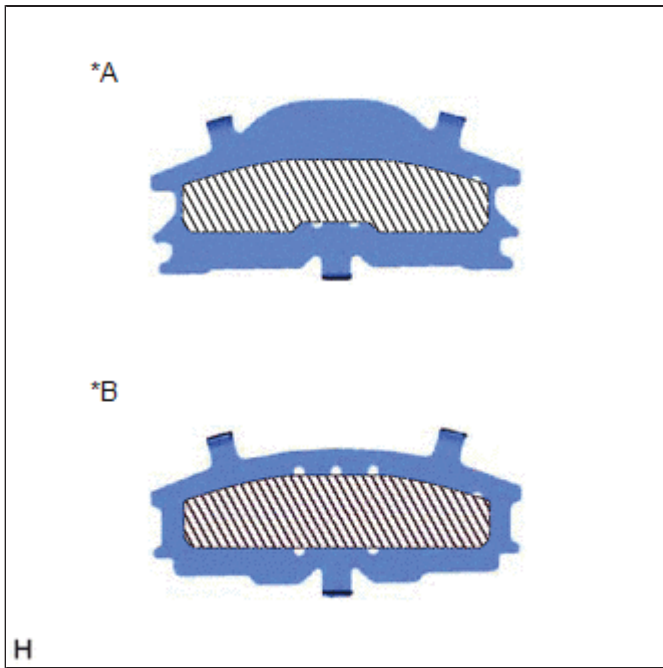
Be sure to install each front disc brake pad support plate in the correct position and direction.


6. INSTALL FRONT DISC BRAKE ANTI-SQUEAL SHIM KIT

NOTICE:

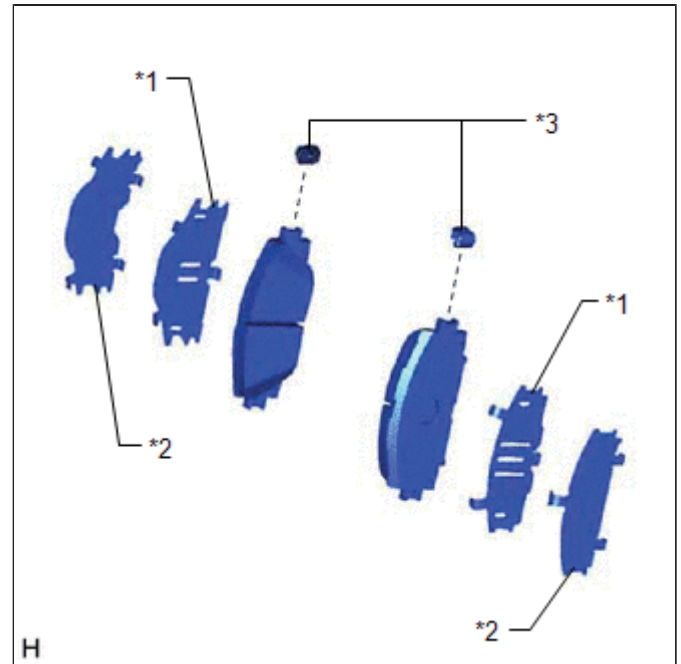
- When replacing worn front disc brake pads, the front disc brake anti-squeal shims and front disc brake pad wear indicator plates must be replaced together with the front disc brake pads.
- Do not apply disc brake grease to the lining surface of the brake pad.
- Install the front disc brake pad wear indicator plates in the correct position and direction.
- Install the front disc brake anti-squeal shims in the correct position and direction.

(a) Apply disc brake grease to both sides of each front No. 1 disc brake anti-squeal shim as shown in the illustration.



*A	Inside of the Vehicle
*B	Outside of the Vehicle
	Disc Brake Grease

(b) Install the front No. 1 disc brake anti-squeal shim and front No. 2 disc brake anti-squeal shim to each front disc brake pad.



*1	Front No. 1 Disc Brake Anti-squeal Shim
*2	Front No. 2 Disc Brake Anti-squeal Shim
*3	Front Disc Brake Pad Wear Indicator Plate

(c) Install the front disc brake pad wear indicator plate to each front disc brake pad.

7. INSTALL FRONT DISC BRAKE PAD

- (a) Install the 2 front disc brake pads to the front disc brake cylinder mounting.

NOTICE:

- Keep the friction surfaces of the front disc brake pads and front disc free from oil and grease.
- Install the front disc brake pad so that the pad wear indicator plate is mounted on the upper side of the vehicle.

8. INSTALL FRONT DISC BRAKE CYLINDER ASSEMBLY

- (a) Hold each front disc brake cylinder slide pin and install the front disc brake cylinder assembly to the front disc brake cylinder mounting with the 2 bolts.

Torque:

34.3 N·m { 350 kgf·cm, 25 ft·lbf }

9. CONNECT FRONT FLEXIBLE HOSE

- (a) Connect the front flexible hose to the front disc brake cylinder assembly with a new union bolt and a new gasket.

Torque:

33.3 N·m { 340 kgf·cm, 25 ft·lbf }

NOTICE:

Install the front flexible hose lock securely into the lock hole in the front disc brake cylinder assembly.

10. CONNECT CABLE TO NEGATIVE AUXILIARY BATTERY TERMINAL

- (a) Connect the reservoir level switch connector.
(b) Connect the cable to the negative (-) auxiliary battery terminal.

Click here [INFO](#) [INFO](#)

- (c) Perform the following procedure if air bleeding is not necessary:

- (1) Turn the power switch on (READY).
- (2) Depress the brake pedal and release it.
- (3) Clear the DTCs.

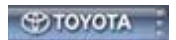
Click here [INFO](#) [INFO](#)

11. BLEED BRAKE LINE

Click here [INFO](#)

12. INSTALL FRONT WHEEL

Click here [INFO](#) [INFO](#)



Last Modified: 01-14-2019	6.8:8.0.48	Doc ID: RM100000000QV12
Model Year Start: 2016	Model: Prius	Prod Date Range: [11/2015 -]
Title: BRAKE (FRONT): FRONT BRAKE: REASSEMBLY; 2016 - 2019 MY Prius [11/2015 -]		

REASSEMBLY

CAUTION / NOTICE / HINT

PROCEDURE

1. TEMPORARILY TIGHTEN FRONT DISC BRAKE BLEEDER PLUG

HINT:

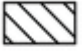
Fully tighten the front disc brake bleeder plug after bleeding the system.

2. INSTALL FRONT DISC BRAKE BLEEDER PLUG CAP

3. INSTALL PISTON SEAL

(a) Apply lithium soap base glycol grease to the entire circumference of a new piston seal.

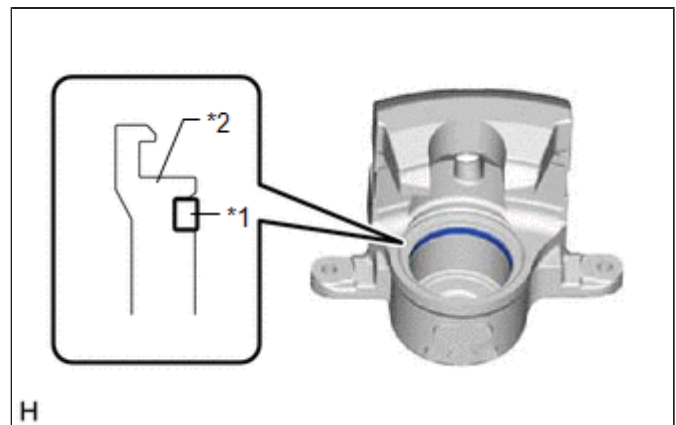


	Lithium Soap Base Glycol Grease
--	---------------------------------

(b) Install the piston seal to the front disc brake cylinder.

NOTICE:

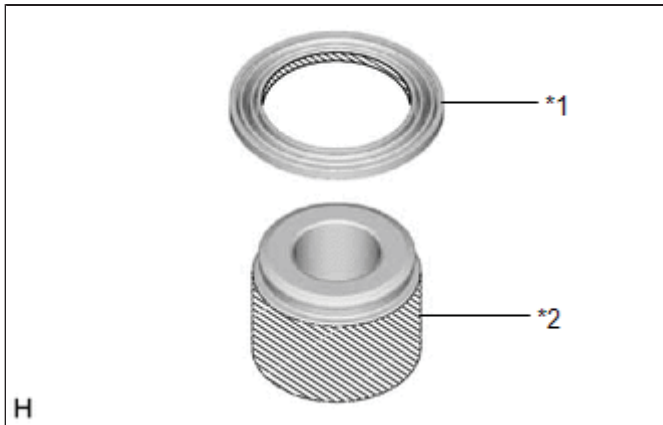
Securely install the piston seal into the groove of the front disc brake cylinder.




*1	Piston Seal
*2	Front Disc Brake Cylinder

4. INSTALL FRONT DISC BRAKE PISTON

(a) Apply a light layer of lithium soap base glycol grease to the entire circumference of a new cylinder boot.



*1	Cylinder Boot
*2	Front Disc Brake Piston
	Lithium Soap Base Glycol Grease

(b) Apply a light layer of lithium soap base glycol grease to the contact surfaces of the front disc brake piston.

(c) Install the cylinder boot to the front disc brake piston.

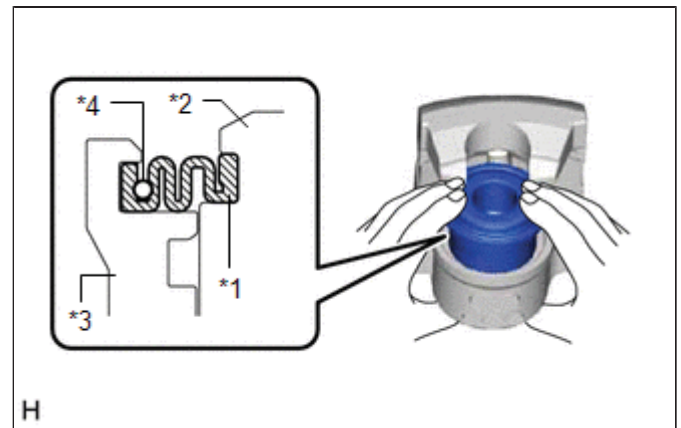
NOTICE:

Securely install the cylinder boot into the groove of the front disc brake piston.

(d) Install the front disc brake piston to the front disc brake cylinder.

NOTICE:

Do not forcibly install the front disc brake piston into the front disc brake cylinder.



*1	Cylinder Boot
*2	Front Disc Brake Piston
*3	Front Disc Brake Cylinder
*4	Set Ring

(e) Install the cylinder boot to the front disc brake cylinder as shown in the illustration.

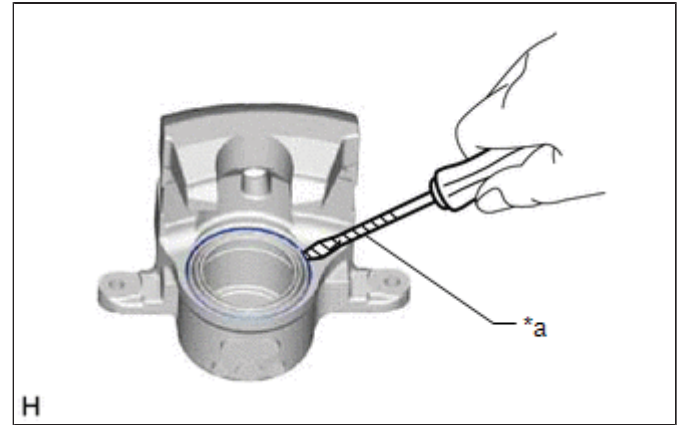
NOTICE:

- Securely install the cylinder boot into the groove of the front disc brake cylinder.
- Do not damage the cylinder boot.

(f) Using a screwdriver with its tip wrapped with protective tape, install a new set ring.

NOTICE:

Do not damage the cylinder boot.



*a	Protective Tape
----	-----------------



Last Modified: 01-14-2019	6.8:8.0.48	Doc ID: RM100000000QV10
Model Year Start: 2016	Model: Prius	Prod Date Range: [11/2015 - 12/2018]
Title: BRAKE (FRONT): FRONT BRAKE: REMOVAL; 2016 - 2018 MY Prius [11/2015 - 12/2018]		

REMOVAL

CAUTION / NOTICE / HINT

The necessary procedures (adjustment, calibration, initialization, or registration) that must be performed after parts are removed and installed, or replaced during front brake removal/installation are shown below.

Necessary Procedures After Parts Removed/Installed/Replaced

REPLACED PART OR PERFORMED PROCEDURE	NECESSARY PROCEDURE	EFFECT/INOPERATIVE FUNCTION WHEN NECESSARY PROCEDURE NOT PERFORMED	LINK
Auxiliary battery terminal is disconnected/reconnected	Memorize steering angle neutral point	Lane departure alert system (w/ Steering Control)	INFO
		Intelligent clearance sonar system	
		Simple advanced parking guidance system	
		Pre-collision system	
	Initialize back door lock	Power door lock control system	INFO

NOTICE:

- Immediately after installing the brake pads, the braking performance may be reduced. Always perform a road test in a safe place while paying attention to the surroundings.
- When the brake pedal is first depressed after replacing the brake pads or pushing back the disc brake piston, DTC C1214 may be stored. As there is no malfunction, clear the DTC.
- While the auxiliary battery is connected, even if the power switch is off, the brake control system activates when the brake pedal is depressed or any door courtesy switch turns on. Therefore, when servicing the brake system components, do not operate the brake pedal or open/close the doors while the auxiliary battery is connected.
- After replacing the front disc brake pads, always perform a road test to check the braking performance and check for vibrations.

HINT:

- Use the same procedure for the RH side and LH side.
- The following procedure is for the LH side.

PROCEDURE

1. PRECAUTION

NOTICE:

After turning the power switch off, waiting time may be required before disconnecting the cable from the negative (-) auxiliary battery terminal. Therefore, make sure to read the disconnecting the cable from the negative (-) auxiliary battery terminal notices before proceeding with work.

Click here [INFO](#) [INFO](#)

2. DISABLE BRAKE CONTROL

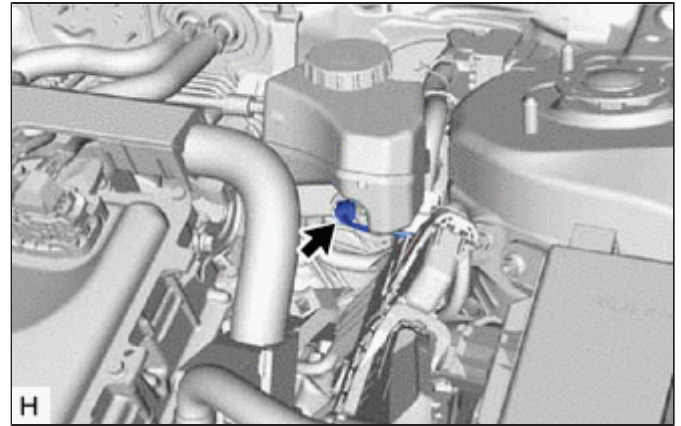
- Wait at least 2 minutes after turning the power switch off.

NOTICE:

When the brake pedal is depressed or the door courtesy switch is turned on even if the power switch is off, the brake control system activates. Therefore do not depress the brake pedal or open/close the doors until the reservoir level

switch connector is disconnected.

- (b) Disconnect the reservoir level switch connector with the parking brake applied.



- (c) Disconnect the cable from the negative (-) auxiliary battery terminal.

Click here [INFO](#)

- (d) Depress the brake pedal 40 times or more to return all the fluid in the accumulator back to the reservoir.
- (e) Check that the brake pedal cannot be further depressed.
- (f) Release the parking brake.

3. REMOVE FRONT WHEEL

Click here [INFO](#)

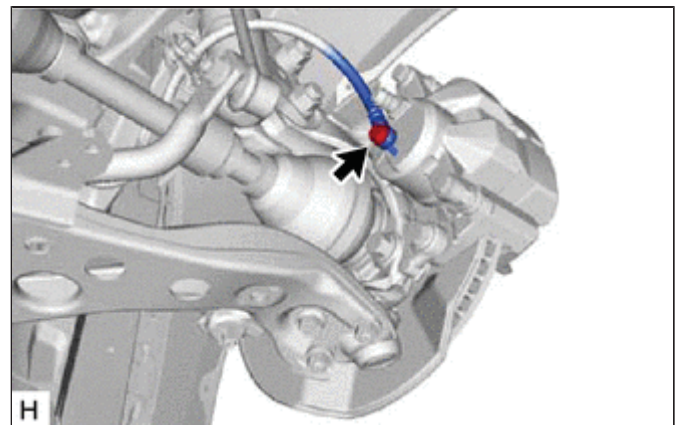
4. DRAIN BRAKE FLUID

NOTICE:

If brake fluid leaks onto any painted surface, immediately wash it off.

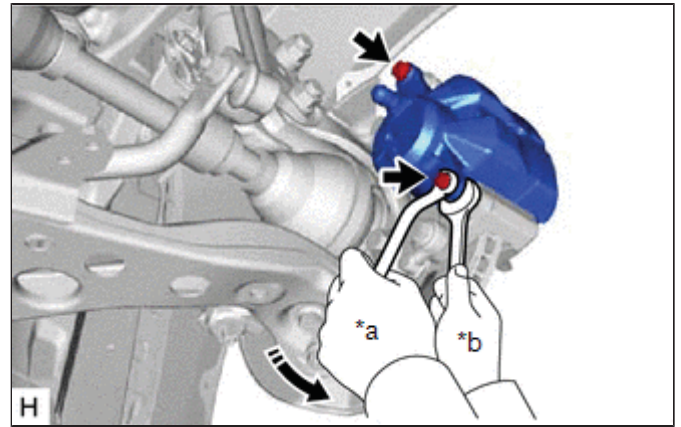
5. DISCONNECT FRONT FLEXIBLE HOSE

- (a) Remove the union bolt and gasket, and disconnect the front flexible hose from the front disc brake cylinder assembly.



6. REMOVE FRONT DISC BRAKE CYLINDER ASSEMBLY

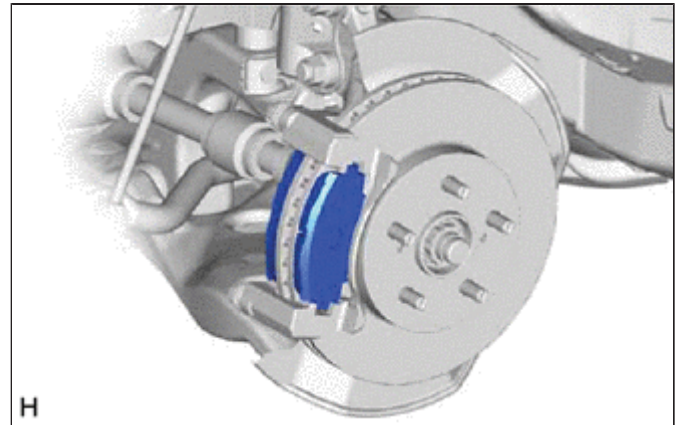
- (a) Hold the 2 front disc brake cylinder slide pins and remove the 2 bolts and front disc brake cylinder assembly.



*a	Turn
*b	Hold

7. REMOVE FRONT DISC BRAKE PAD

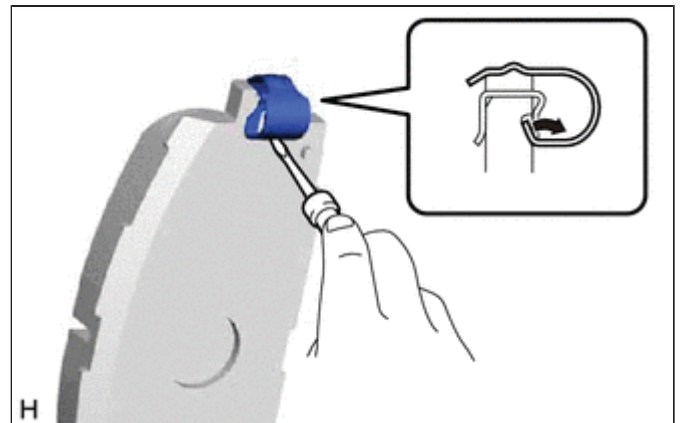
- (a) Remove the 2 front disc brake pads from the front disc brake cylinder mounting.



8. REMOVE FRONT DISC BRAKE ANTI-SQUEAL SHIM KIT

- (a) Remove the front No. 1 disc brake anti-squeal shim and front No. 2 disc brake anti-squeal shim from each front disc brake pad.

- (b) Using a screwdriver, remove the front disc brake pad wear indicator plate from each front disc brake pad.

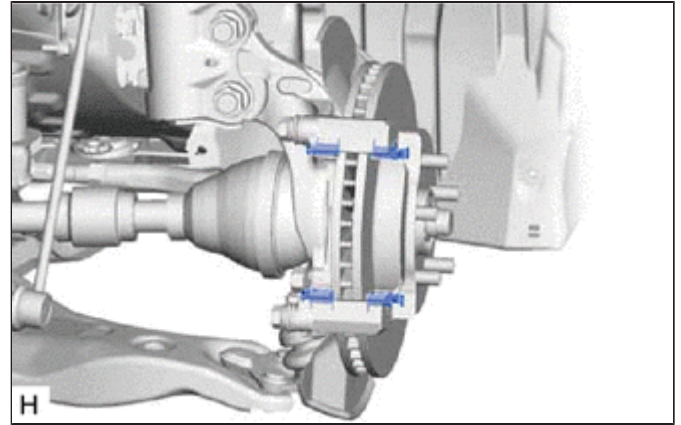


9. REMOVE FRONT DISC BRAKE PAD SUPPORT PLATE

- (a) Remove the 4 front disc brake pad support plates from the front disc brake cylinder mounting.

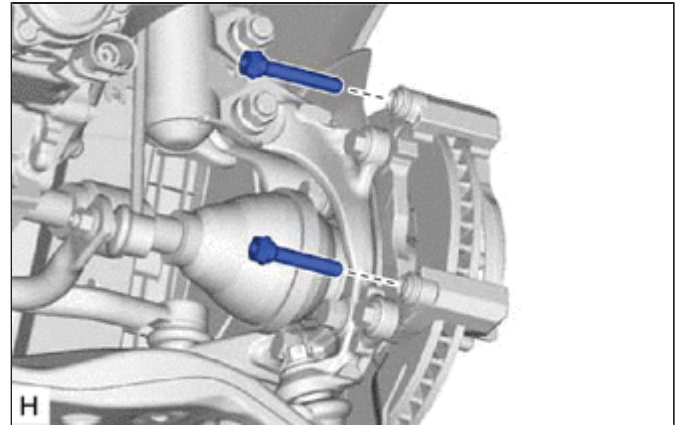
NOTICE:

Each front disc brake pad support plate has a different shape. Be sure to put an identification mark on each front disc brake pad support plate so that it can be reinstalled to its original position.



10. REMOVE FRONT DISC BRAKE CYLINDER SLIDE PIN

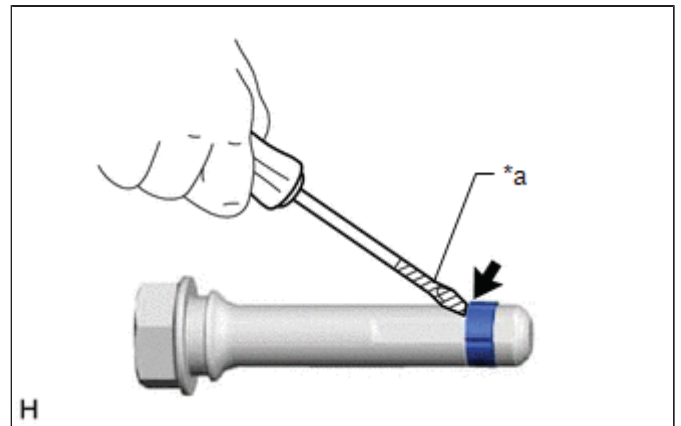
- (a) Remove the 2 front disc brake cylinder slide pins from the front disc brake cylinder mounting.



- (b) Using a screwdriver with its tip wrapped with protective tape, remove the front disc brake cylinder slide bushing from the front disc brake cylinder slide pin (lower side).

NOTICE:

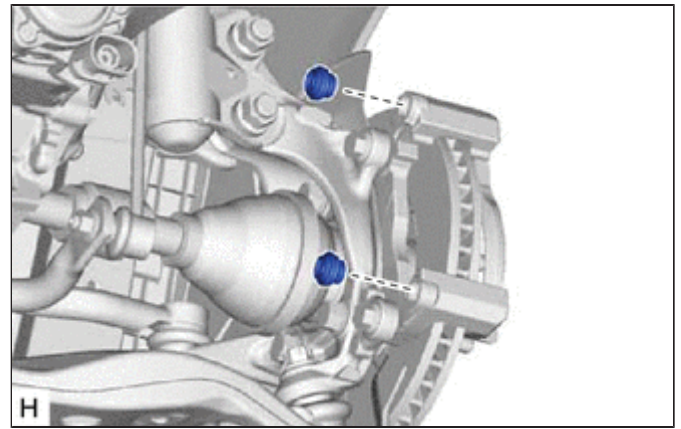
Do not damage the front disc brake cylinder slide pin.



*a	Protective Tape
----	-----------------

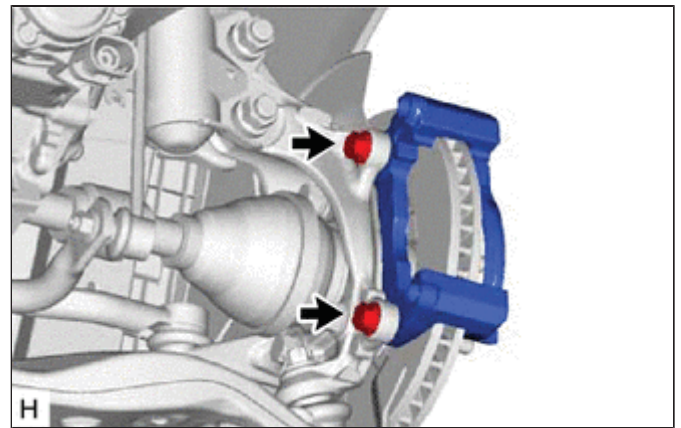
11. REMOVE FRONT DISC BRAKE BUSHING DUST BOOT

- (a) Remove the 2 front disc brake bushing dust boots from the front disc brake cylinder mounting.



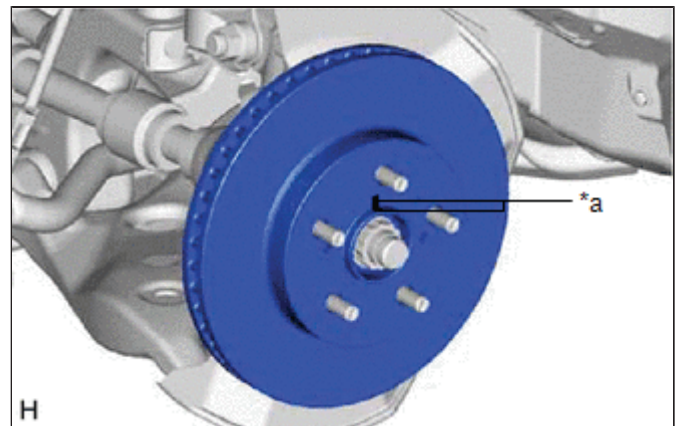
12. REMOVE FRONT DISC BRAKE CYLINDER MOUNTING

- (a) Remove the 2 bolts and front disc brake cylinder mounting from the steering knuckle.



13. REMOVE FRONT DISC

- (a) Put matchmarks on the front disc and the front axle hub sub-assembly.



*a	Matchmark
----	-----------

- (b) Remove the front disc.



Last Modified: 01-14-2019	6.8:8.0.48	Doc ID: RM100000000QV13
Model Year Start: 2016	Model: Prius	Prod Date Range: [11/2015 - 12/2018]
Title: BRAKE (FRONT): FRONT DISC BRAKE PAD: REPLACEMENT; 2016 - 2018 MY Prius [11/2015 - 12/2018]		

REPLACEMENT

CAUTION / NOTICE / HINT

The necessary procedures (adjustment, calibration, initialization, or registration) that must be performed after parts are removed and installed, or replaced during front disc brake pad removal/installation are shown below.

Necessary Procedures After Parts Removed/Installed/Replaced

REPLACED PART OR PERFORMED PROCEDURE	NECESSARY PROCEDURE	EFFECT/INOPERATIVE FUNCTION WHEN NECESSARY PROCEDURE NOT PERFORMED	LINK
Auxiliary battery terminal is disconnected/reconnected	Memorize steering angle neutral point	Lane departure alert system (w/ Steering Control)	INFO
		Intelligent clearance sonar system	
		Simple advanced parking guidance system	
		Pre-collision system	
	Initialize back door lock	Power door lock control system	INFO

NOTICE:

- Immediately after installing the brake pads, the braking performance may be reduced. Always perform a road test in a safe place while paying attention to the surroundings.
- After replacing the front disc brake pads, the brake pedal may feel soft due to clearance between the front disc brake pads and front disc. Depress the brake pedal several times until the brake pedal feels firm.
- When the brake pedal is first depressed after replacing the brake pads or pushing back the disc brake piston, DTC C1214 may be stored. As there is no malfunction, clear the DTC.
- While the auxiliary battery is connected, even if the power switch is off, the brake control system activates when the brake pedal is depressed or any door courtesy switch turns on. Therefore, when servicing the brake system components, do not operate the brake pedal or open/close the doors while the auxiliary battery is connected.
- After replacing the front disc brake pads, always perform a road test to check the braking performance and check for vibrations.

HINT:

- Use the same procedure for the RH side and LH side.
- The following procedure is for the LH side.

PROCEDURE

1. PRECAUTION

NOTICE:

After turning the power switch off, waiting time may be required before disconnecting the cable from the negative (-) auxiliary battery terminal. Therefore, make sure to read the disconnecting the cable from the negative (-) auxiliary battery terminal notices before proceeding with work.

Click here [INFO](#) [INFO](#)

2. DISABLE BRAKE CONTROL

Click here [INFO](#)

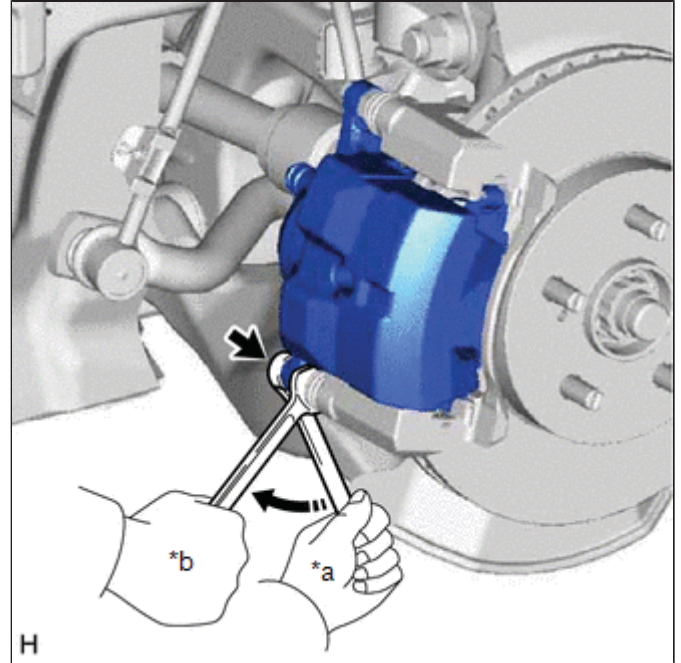
3. REMOVE FRONT WHEEL

4. REMOVE FRONT DISC BRAKE PAD

CAUTION:

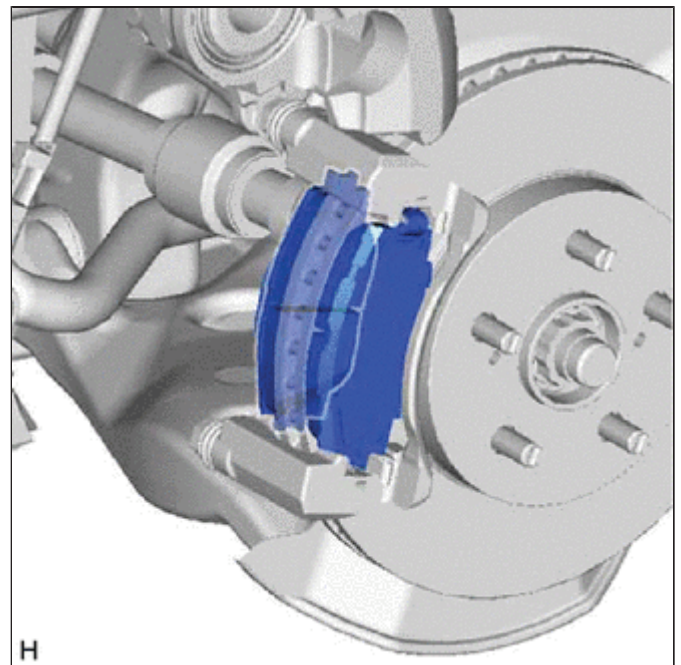
Be careful not to get pinched by the front disc brake cylinder assembly or other parts when removing the front disc brake pads.

(a) Hold the front disc brake cylinder slide pin (lower side) and remove the bolt.



*a	Turn
*b	Hold

(b) Pull the front disc brake cylinder assembly upward.



(c) Remove the 2 front disc brake pads from the front disc brake cylinder mounting.

5. REMOVE FRONT DISC BRAKE ANTI-SQUEAL SHIM KIT

Click here [INFO](#)

6. INSTALL FRONT DISC BRAKE ANTI-SQUEAL SHIM KIT

Click here [INFO](#)

7. INSTALL FRONT DISC BRAKE PAD

CAUTION:

Be careful not to get pinched by the front disc brake cylinder assembly or other parts when installing the front disc brake pads.

(a) Push in the front disc brake piston.

NOTICE:

- Make sure the brake fluid does not overflow from the reservoir.
- Do not forcibly push in the front disc brake piston.

(b) Install the 2 front disc brake pads to the front disc brake cylinder mounting.

NOTICE:

- Keep the friction surfaces of the front disc brake pads and front disc free from oil and grease.
- Install the front disc brake pad so that the pad wear indicator plate is mounted on the upper side of the vehicle.

(c) Hold the front disc brake cylinder slide pin (lower side) and install the front disc brake cylinder assembly to the front disc brake cylinder mounting with the bolt.

Torque:

34.3 N·m { 350 kgf·cm, 25 ft·lbf }

8. CONNECT CABLE TO NEGATIVE AUXILIARY BATTERY TERMINAL

(a) Connect the reservoir level switch connector.

(b) Connect the cable to the negative (-) auxiliary battery terminal.

Click here [INFO](#)

(c) Turn the power switch on (READY).

(d) Depress the brake pedal and release it.

(e) Clear the DTCs.

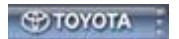
Click here [INFO](#)

9. INSPECT BRAKE FLUID LEVEL IN RESERVOIR

Click here [INFO](#)

10. INSTALL FRONT WHEEL

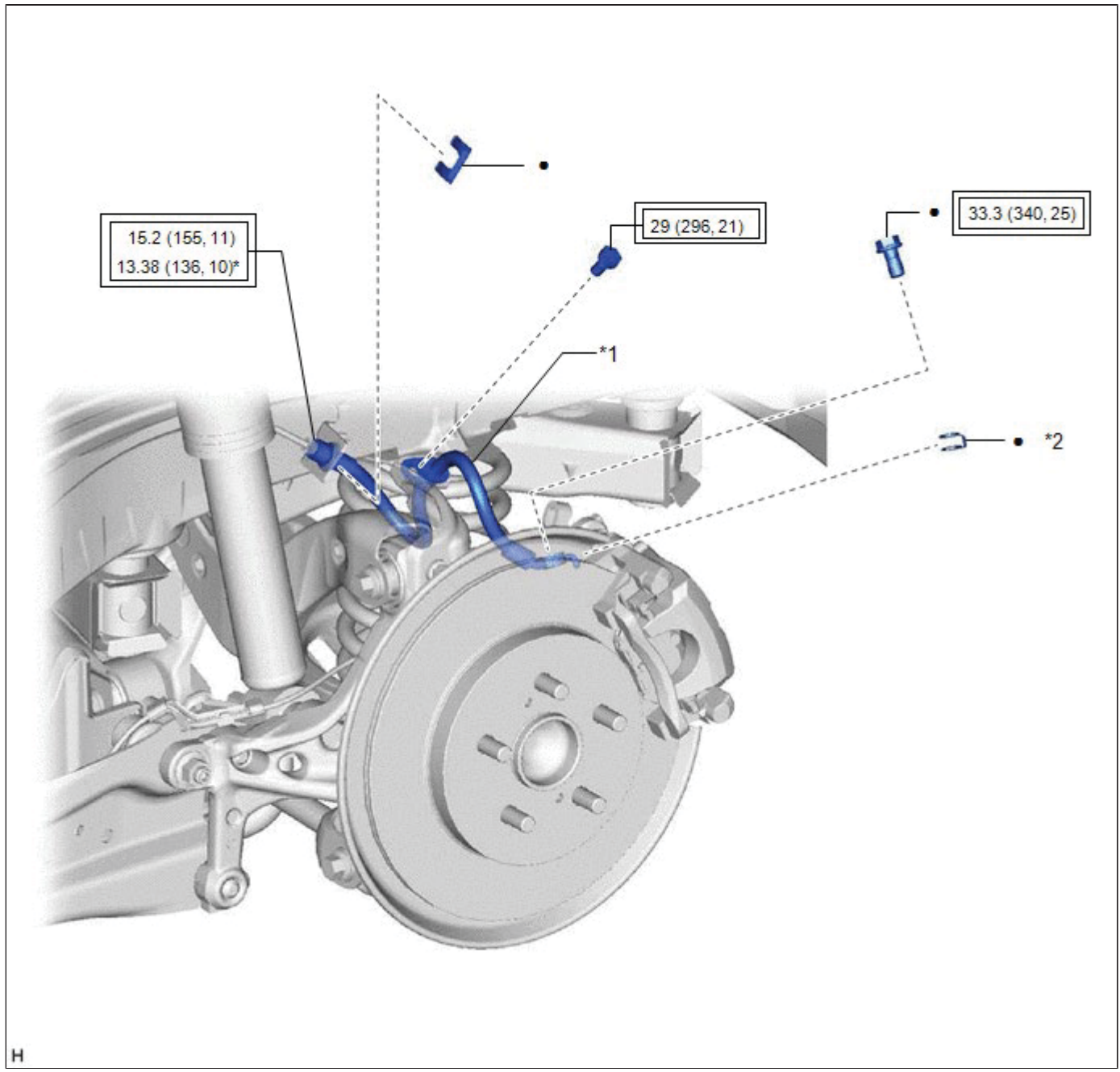
Click here [INFO](#)



Last Modified: 01-14-2019	6.8:8.0.48	Doc ID: RM100000000RMKP
Model Year Start: 2016	Model: Prius	Prod Date Range: [11/2015 -]
Title: BRAKE (REAR): REAR BRAKE FLEXIBLE HOSE: COMPONENTS; 2016 - 2019 MY Prius [11/2015 -]		

COMPONENTS

ILLUSTRATION



H

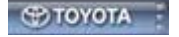
*1	REAR FLEXIBLE HOSE	*2	GASKET
	Tightening torque for "Major areas involving basic vehicle performance such as moving/turning/stopping" : N*m (kgf*cm, ft.*lbf)	*	For use with a union nut wrench

•

Non-reusable part

-

-



Last Modified: 01-14-2019	6.8:8.0.48	Doc ID: RM100000000RMKO
Model Year Start: 2016	Model: Prius	Prod Date Range: [11/2015 -]
Title: BRAKE (REAR): REAR BRAKE FLEXIBLE HOSE: INSTALLATION; 2016 - 2019 MY Prius [11/2015 -]		

INSTALLATION

CAUTION / NOTICE / HINT

NOTICE:

When reusing the rear flexible hoses, use the identification marks created during removal to install each rear flexible hose to its original position.

HINT:

- Use the same procedure for the RH side and LH side.
- The following procedure is for the LH side.

PROCEDURE

1. INSTALL REAR FLEXIBLE HOSE

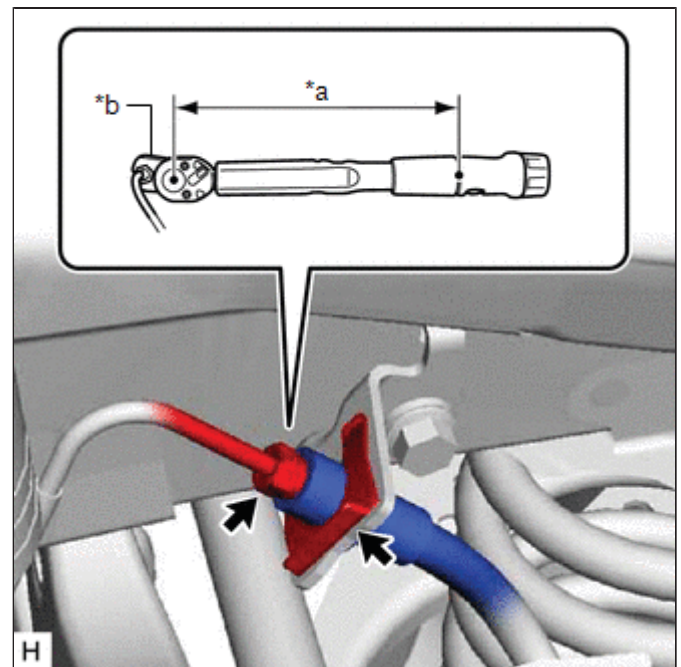
NOTICE:

When installing the rear flexible hose, minimize twisting of the hose.

(a) Install the rear flexible hose with a new clip.

NOTICE:

Install the clip as far as it will go.



*a	Torque Wrench Fulcrum Length
*b	Union Nut Wrench

(b) Using a union nut wrench, connect the brake line to the rear flexible hose while holding the rear flexible hose with a wrench.

Torque:

Specified tightening torque :

15.2 N·m { 155 kgf·cm, 11 ft·lbf }

NOTICE:

- Do not kink or damage the brake line.
- Do not allow any foreign matter such as dirt or dust to enter the brake line from the connecting parts.

HINT:

- Calculate the torque wrench reading when changing the fulcrum length of the torque wrench.

Click here [INFO](#) [INFO](#) [INFO](#)

- When using a union nut wrench (fulcrum length of 22 mm (0.866 in.)) + torque wrench (fulcrum length of 162 mm (6.38 in.)):

13.38 N*m (136 kgf*cm, 10 ft.*lbf)

(c) Install the rear flexible hose with the bolt.

Torque:

29 N·m { 296 kgf·cm, 21 ft·lbf }

(d) Install the rear flexible hose to the rear disc brake cylinder assembly with a new union bolt and a new gasket.

Torque:

33.3 N·m { 340 kgf·cm, 25 ft·lbf }

NOTICE:

Install the rear flexible hose lock securely into the lock hole in the rear disc brake cylinder assembly.

2. CONNECT CABLE TO NEGATIVE AUXILIARY BATTERY TERMINAL

- (a) Connect the reservoir level switch connector.
- (b) Connect the cable to the negative (-) auxiliary battery terminal.

Click here [INFO](#) [INFO](#)

(c) Clear the DTCs.

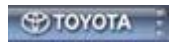
Click here [INFO](#) [INFO](#)

3. BLEED BRAKE LINE

Click here [INFO](#)

4. INSTALL REAR WHEEL

Click here [INFO](#) [INFO](#)



Last Modified: 01-14-2019	6.8:8.0.48	Doc ID: RM100000000RMKQ
Model Year Start: 2016	Model: Prius	Prod Date Range: [11/2015 - 12/2018]
Title: BRAKE (REAR): REAR BRAKE FLEXIBLE HOSE: REMOVAL; 2016 - 2018 MY Prius [11/2015 - 12/2018]		

REMOVAL

CAUTION / NOTICE / HINT

The necessary procedures (adjustment, calibration, initialization, or registration) that must be performed after parts are removed and installed, or replaced during rear brake flexible hose removal/installation are shown below.

Necessary Procedures After Parts Removed/Installed/Replaced

REPLACED PART OR PERFORMED PROCEDURE	NECESSARY PROCEDURE	EFFECT/INOPERATIVE FUNCTION WHEN NECESSARY PROCEDURE NOT PERFORMED	LINK
Auxiliary battery terminal is disconnected/reconnected	Memorize steering angle neutral point	Lane departure alert system (w/ Steering Control)	INFO
		Intelligent clearance sonar system	
		Simple advanced parking guidance system	
		Pre-collision system	
	Initialize back door lock	Power door lock control system	INFO

NOTICE:

If both the LH and RH rear flexible hoses are to be disconnected at the same time, put identification marks on each rear flexible hose so that it can be installed to its original position.

HINT:

- Use the same procedure for the RH side and LH side.
- The following procedure is for the LH side.

PROCEDURE

1. PRECAUTION

NOTICE:

After turning the power switch off, waiting time may be required before disconnecting the cable from the negative (-) auxiliary battery terminal. Therefore, make sure to read the disconnecting the cable from the negative (-) auxiliary battery terminal notices before proceeding with work.

Click here [INFO](#) [INFO](#)

2. DISABLE BRAKE CONTROL

Click here [INFO](#)

3. REMOVE REAR WHEEL

Click here [INFO](#)

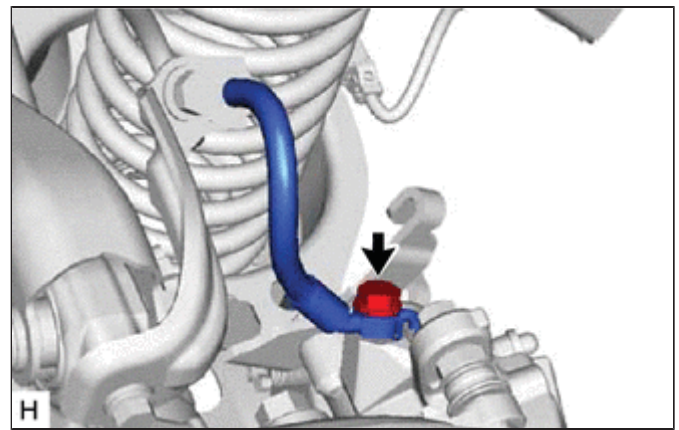
4. DRAIN BRAKE FLUID

NOTICE:

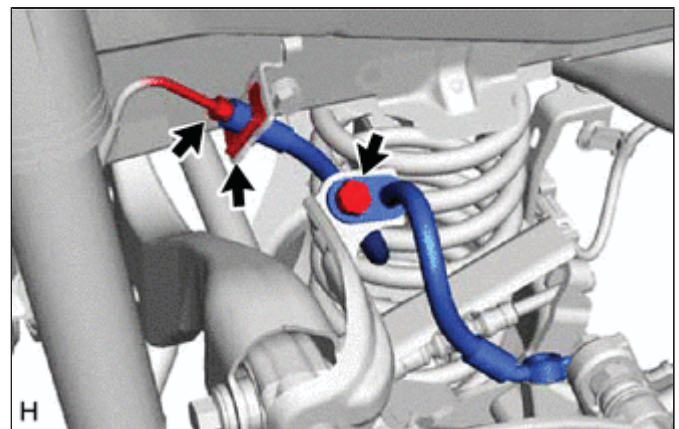
If brake fluid leaks onto any painted surface, immediately wash it off.

5. REMOVE REAR FLEXIBLE HOSE

(a) Remove the union bolt and gasket.



(b) Remove the bolt and separate the rear flexible hose.

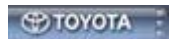


(c) Using a union nut wrench, disconnect the brake line while holding the rear flexible hose with a wrench.

NOTICE:

- Do not kink or damage the brake line.
- Do not allow any foreign matter such as dirt or dust to enter the brake line from the connecting parts.

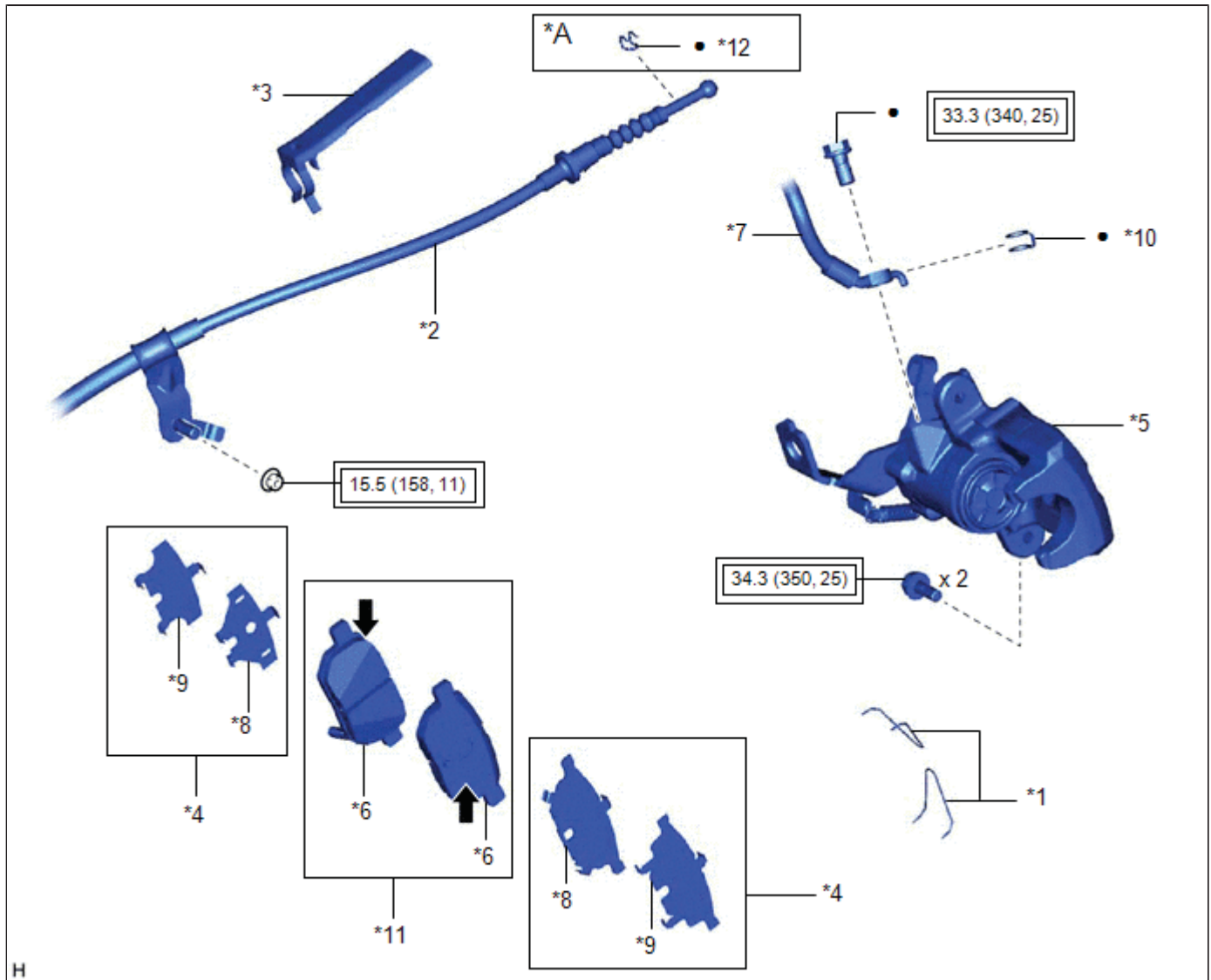
(d) Remove the clip and rear flexible hose.



Last Modified: 01-14-2019	6.8:8.0.48	Doc ID: RM100000000RMKJ
Model Year Start: 2016	Model: Prius	Prod Date Range: [11/2015 - 11/2017]
Title: BRAKE (REAR): REAR BRAKE: COMPONENTS; 2016 - 2017 MY Prius [11/2015 - 11/2017]		



COMPONENTS

ILLUSTRATION

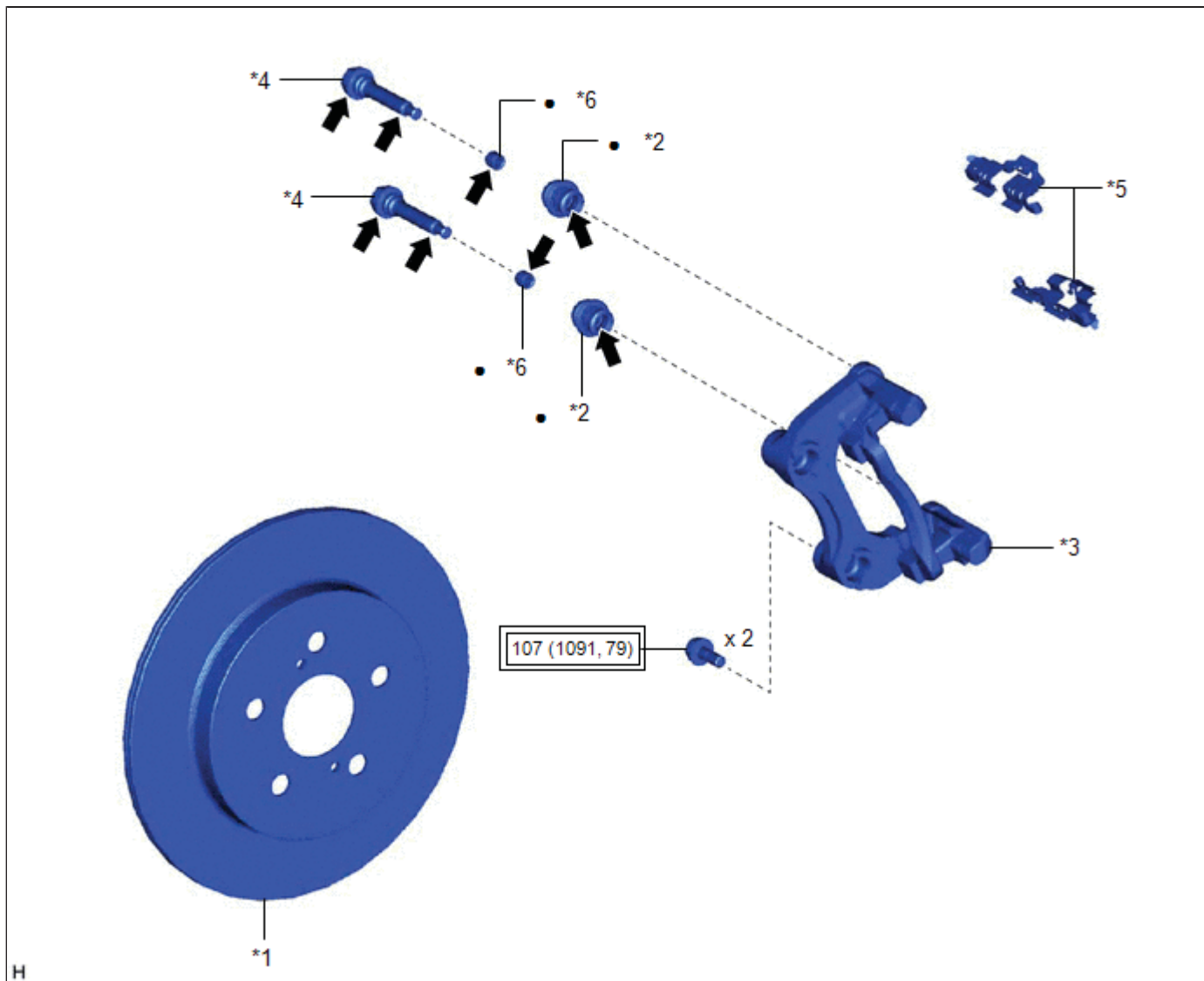


H



*A	w/ Clip	-	-
*1	ANTI SQUEAL SPRING	*2	NO. 3 PARKING BRAKE CABLE ASSEMBLY
*3	PARKING BRAKE LEVER PROTECTOR	*4	REAR DISC BRAKE ANTI SQUEAL SHIM KIT
*5	REAR DISC BRAKE CYLINDER ASSEMBLY	*6	REAR DISC BRAKE PAD

*7	REAR FLEXIBLE HOSE	*8	REAR NO. 1 DISC BRAKE ANTI-SQUEAL SHIM
*9	REAR NO. 2 DISC BRAKE ANTI-SQUEAL SHIM	*10	GASKET
*11	REAR DISC BRAKE PAD KIT	*12	CLIP
	Tightening torque for "Major areas involving basic vehicle performance such as moving/turning/stopping" : N*m (kgf*cm, ft.*lbf)	•	Non-reusable part
	Disc brake grease	-	-

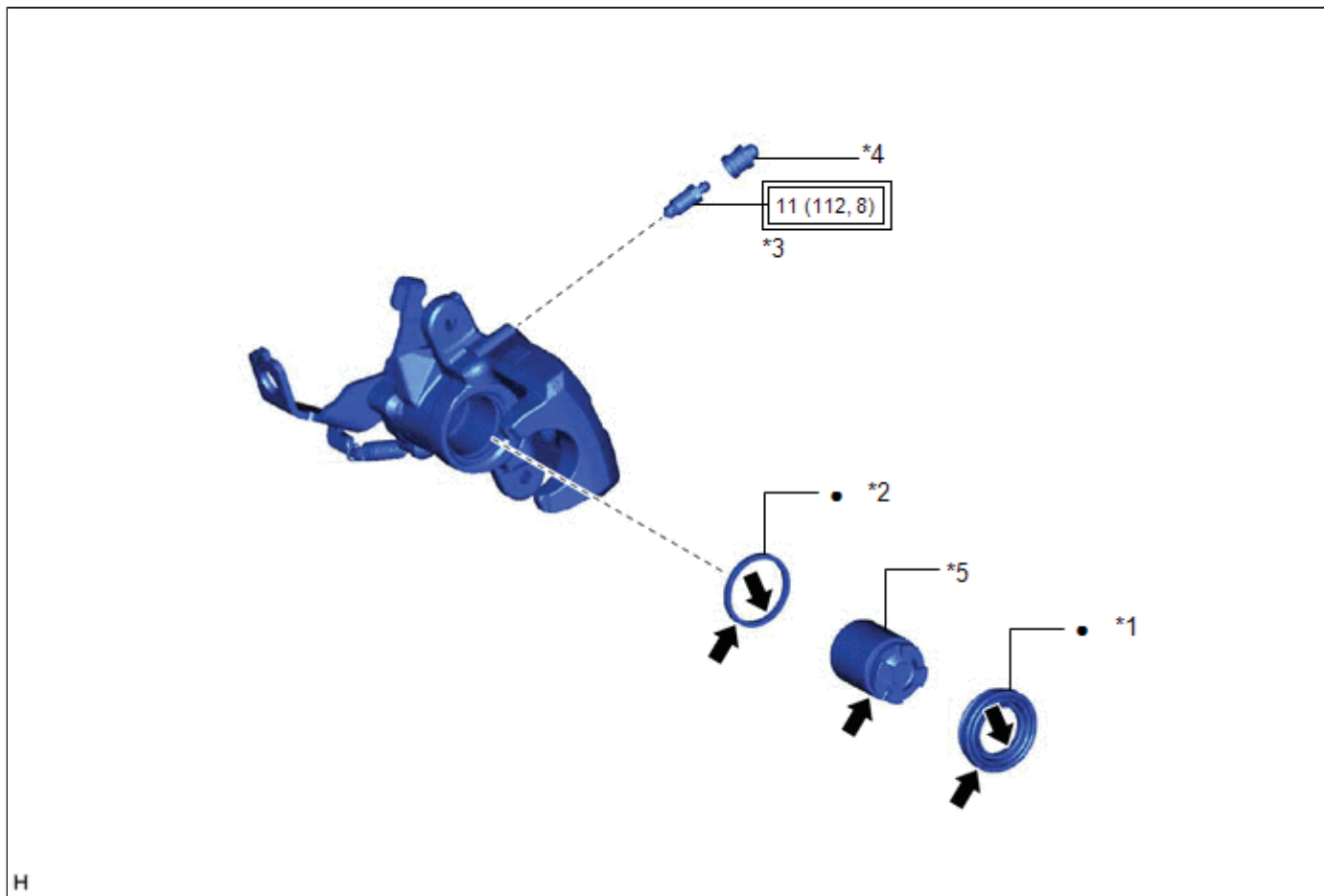
ILLUSTRATION





*1	REAR DISC	*2	REAR DISC BRAKE BUSHING DUST BOOT
	REAR DISC BRAKE CYLINDER		

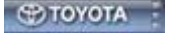
*3	MOUNTING	*4	REAR DISC BRAKE PAD GUIDE PIN
*5	REAR DISC BRAKE PAD SUPPORT PLATE	*6	REAR DISC BRAKE CYLINDER SLIDE BUSHING
	Tightening torque for "Major areas involving basic vehicle performance such as moving/turning/stopping" : N*m (kgf*cm, ft.*lbf)	•	Non-reusable part
	Lithium soap base glycol grease	-	-

ILLUSTRATION



*1	CYLINDER BOOT	*2	PISTON SEAL
*3	REAR DISC BRAKE BLEEDER PLUG	*4	REAR DISC BRAKE BLEEDER PLUG CAP
*5	REAR DISC BRAKE PISTON	-	-
	Tightening torque for "Major areas involving basic vehicle performance such as moving/turning/stopping" :	•	Non-reusable part

	N*m (kgf*cm, ft.*lbf)		
	Lithium soap base glycol grease	-	-



Last Modified: 01-14-2019

6.8:8.0.48

Doc ID: RM100000000RMKL

Model Year Start: 2016

Model: Prius

Prod Date Range: [11/2015 -]

Title: BRAKE (REAR): REAR BRAKE: DISASSEMBLY; 2016 - 2019 MY Prius [11/2015 -]

DISASSEMBLY

PROCEDURE

1. REMOVE REAR DISC BRAKE PISTON

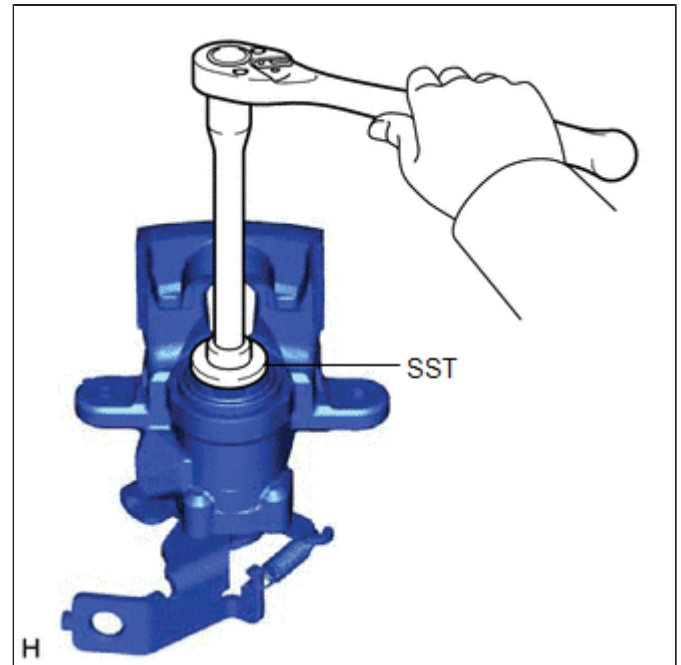
- (a) Using SST, remove the rear disc brake piston by turning it counterclockwise.

SST: 09719-12010

09719-01030

NOTICE:

- Do not damage the rear disc brake piston.
- Do not allow any brake fluid to spatter.



2. REMOVE CYLINDER BOOT

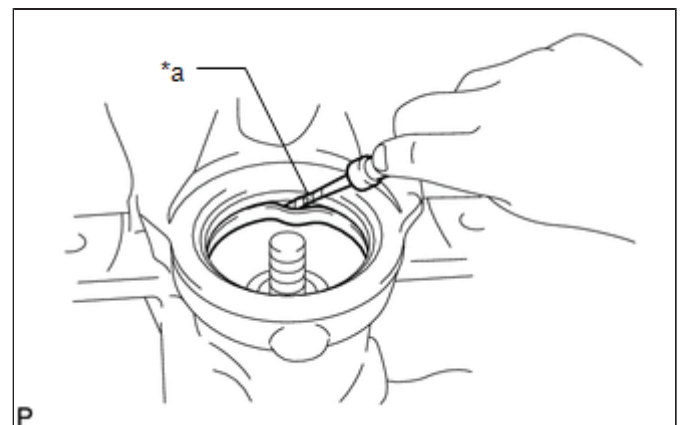
- (a) Remove the cylinder boot from the rear disc brake cylinder.

3. REMOVE PISTON SEAL

- (a) Using a screwdriver with its tip wrapped with protective tape, remove the piston seal from the rear disc brake cylinder.

NOTICE:

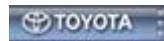
Do not damage the inner surface or piston seal groove of the rear disc brake cylinder.



*a	Protective Tape
----	-----------------

4. REMOVE REAR DISC BRAKE BLEEDER PLUG CAP

5. REMOVE REAR DISC BRAKE BLEEDER PLUG



Last Modified: 01-14-2019	6.8:8.0.48	Doc ID: RM100000000RMK1
Model Year Start: 2016	Model: Prius	Prod Date Range: [11/2015 -]
Title: BRAKE (REAR): REAR BRAKE: INSPECTION; 2016 - 2019 MY Prius [11/2015 -]		

INSPECTION

PROCEDURE

1. INSPECT BRAKE CYLINDER AND PISTON

- (a) Check the rear disc brake cylinder bore and rear disc brake piston for rust and scoring. If necessary, replace the rear disc brake cylinder and rear disc brake piston.

2. INSPECT PAD LINING THICKNESS

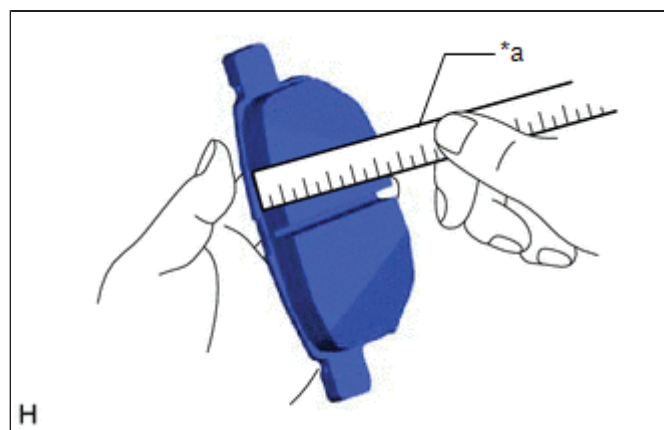
- (a) Using a ruler, measure the rear disc brake pad lining thickness.

OK:

SPECIFIED CONDITION	STANDARD THICKNESS	MINIMUM THICKNESS
1.0 mm or higher	9.5 mm	1.0 mm
0.0394 in. or higher	0.374 in.	0.0394 in.

HINT:

- If a rear disc brake pad lining thickness is less than the minimum thickness, replace the rear disc brake pads.
- Be sure to check rear disc thickness when replacing the rear disc brake pads with new ones.



*a	Ruler
----	-------

3. INSPECT REAR DISC BRAKE PAD SUPPORT PLATE

- (a) Make sure that the rear disc brake pad support plates have sufficient rebound, no deformation, cracks or wear, and that all rust and dirt is cleaned off. If necessary, replace the rear disc brake pad support plates.

4. INSPECT DISC THICKNESS

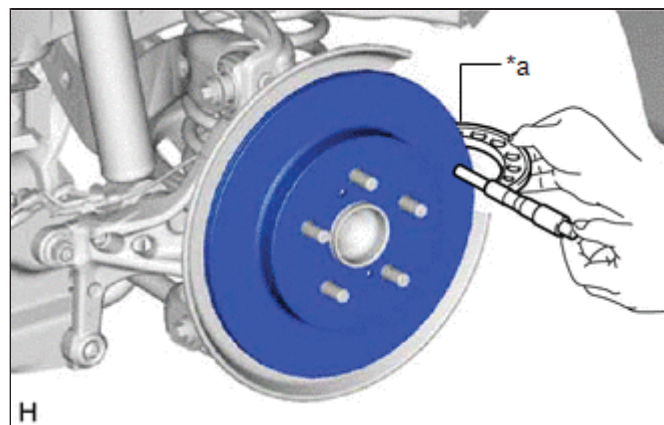
- (a) Using a micrometer, measure the rear disc thickness.

OK:

SPECIFIED CONDITION	STANDARD THICKNESS	MINIMUM THICKNESS
7.5 mm or higher	9.0 mm	7.5 mm
0.296 in. or higher	0.354 in.	0.296 in.

HINT:

If the rear disc thickness is less than the minimum thickness, replace the rear disc.



*a	Micrometer
----	------------

5. INSPECT DISC RUNOUT

(a) Inspect the rear axle hub bearing looseness and rear axle hub runout.

Click here [INFO](#) [INFO](#)

(b) Temporarily install the rear disc with the 5 hub nuts.

Torque:

103 N·m { 1050 kgf·cm, 76 ft·lbf }

(c) Using a dial indicator, measure the disc runout 10 mm (0.394 in.) from the outer edge of the rear disc.

Maximum Disc Runout:

SPECIFIED CONDITION
0.15 mm or less
0.00591 in. or less

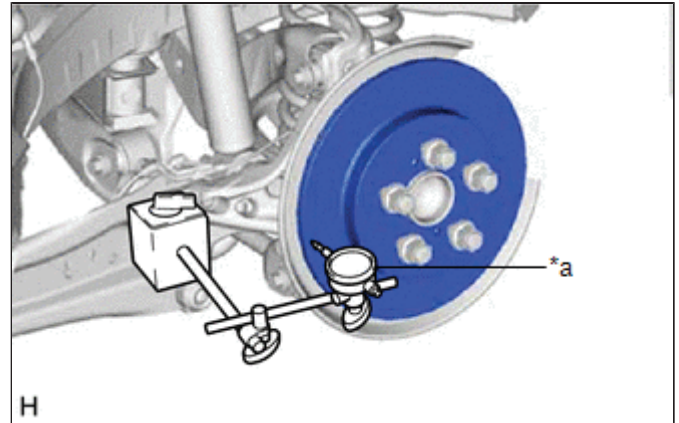
NOTICE:

Keep the magnet of the dial indicator away from the rear axle hub and bearing assembly.

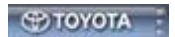
HINT:

If the runout exceeds the maximum value, change the installation position of the rear disc to minimize the runout. If the runout exceeds the maximum even when the installation position is changed, grind the rear disc. If the rear disc thickness is less than the minimum, replace the rear disc.

(d) Remove the 5 hub nuts and rear disc.



*a Dial Indicator



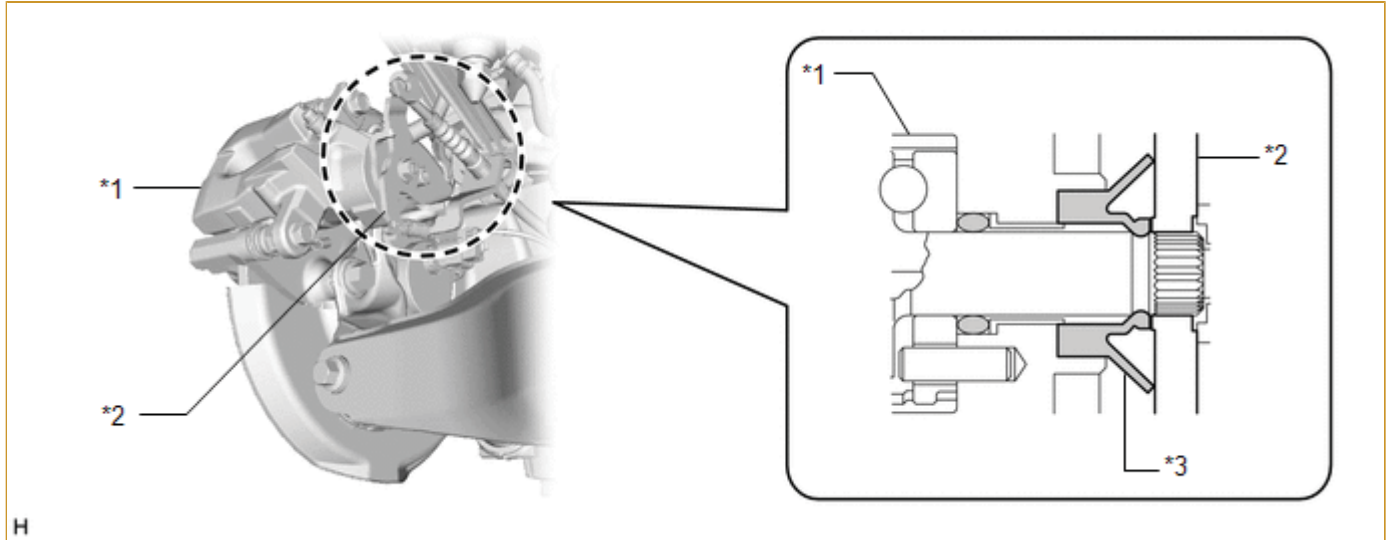
Last Modified: 01-14-2019	6.8:8.0.48	Doc ID: RM100000000RMKH
Model Year Start: 2016	Model: Prius	Prod Date Range: [11/2015 - 11/2017]
Title: BRAKE (REAR): REAR BRAKE: INSTALLATION; 2016 - 2017 MY Prius [11/2015 - 11/2017]		

INSTALLATION

CAUTION / NOTICE / HINT

NOTICE:

- Immediately after installing the brake pads, the braking performance may be reduced. Always perform a road test in a safe place while paying attention to the surroundings.
- When the brake pedal is first depressed after replacing the brake pads or pushing back the disc brake piston, DTC C1214 may be stored. As there is no malfunction, clear the DTC.
- While the auxiliary battery is connected, even if the power switch is off, the brake control system activates when the brake pedal is depressed or any door courtesy switch turns on. Therefore, when servicing the brake system components, do not operate the brake pedal or open/close the doors while the auxiliary battery is connected.
- After replacing the rear disc brake pads, always perform a road test to check the braking performance and check for vibrations.
- Make sure that brake cleaner containing mineral oil does not contact the rubber seal. If brake cleaner containing mineral oil contacts the rubber seal, immediately wash it with water and wipe it clean.



*1	Rear Disc Brake Cylinder Assembly	*2	Operation Lever
*3	Rubber Seal	-	-

HINT:

- Use the same procedure for the RH side and LH side.
- The following procedure is for the LH side.

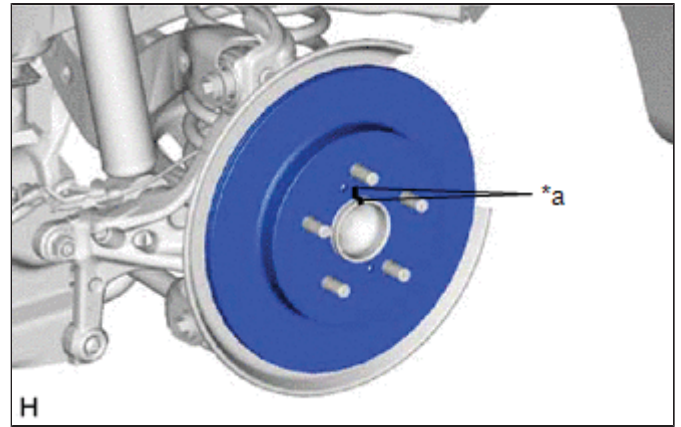
PROCEDURE

1. INSTALL REAR DISC

- (a) Align the matchmarks of the rear disc and rear axle hub and bearing assembly, and install the rear disc.

NOTICE:

When replacing the rear disc with a new one, select the installation position where the rear disc has minimal runout.



*a	Matchmark
----	-----------

2. INSTALL REAR DISC BRAKE CYLINDER MOUNTING

(a) Install the rear disc brake cylinder mounting to the rear axle carrier sub-assembly with the 2 bolts.

Torque:

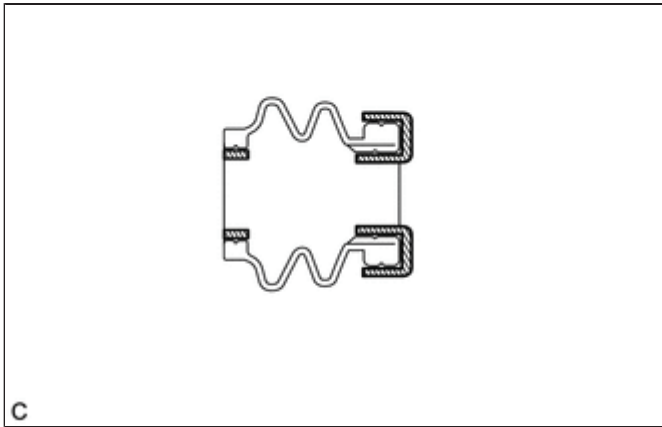
107 N·m {1091 kgf·cm, 79 ft·lbf}


3. INSTALL REAR DISC BRAKE BUSHING DUST BOOT

(a) Apply a light layer of lithium soap base glycol grease to the entire circumference of 2 new rear disc brake bushing dust boots.

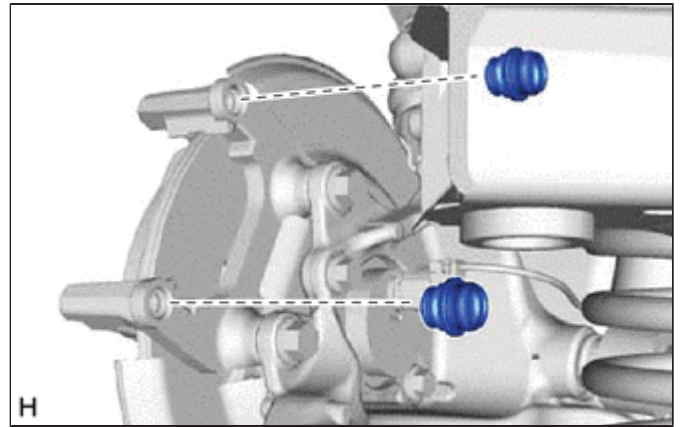
HINT:

Apply more than 0.3 g (0.01 oz) of lithium soap base glycol grease to each rear disc brake bushing dust boot.



	Lithium Soap Base Glycol Grease
--	---------------------------------


(b) Install the 2 rear disc brake bushing dust boots to the rear disc brake cylinder mounting.



4. INSTALL REAR DISC BRAKE PAD GUIDE PIN

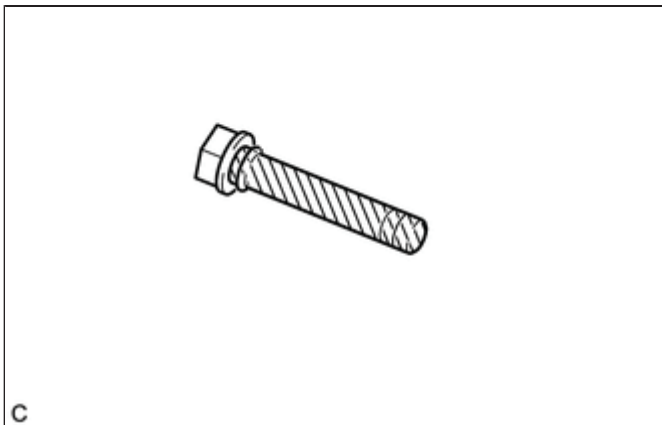
(a) Apply a light layer of lithium soap base glycol grease to the contact surface of the 2 rear disc brake pad guide pins.




	Lithium Soap Base Glycol Grease
--	---------------------------------

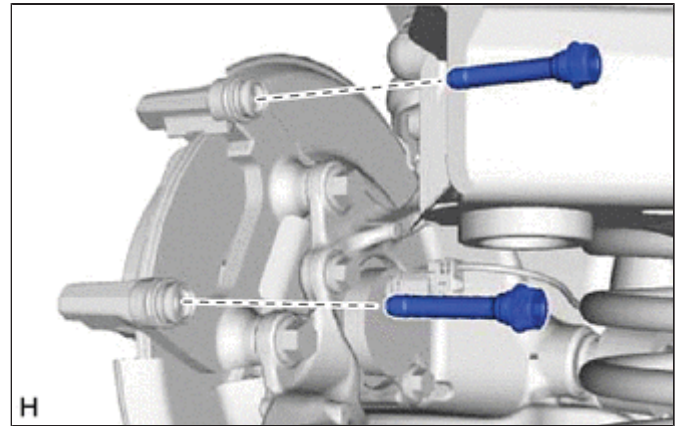
(b) Install a new rear disc brake cylinder slide bushing to each rear disc brake pad guide pin.

(c) Apply a light layer of lithium soap base glycol grease to the sliding part and the sealing surfaces of the 2 rear disc brake pad guide pins.



	Lithium Soap Base Glycol Grease
--	---------------------------------

(d) Install the 2 rear disc brake pad guide pins to rear disc brake cylinder mounting.



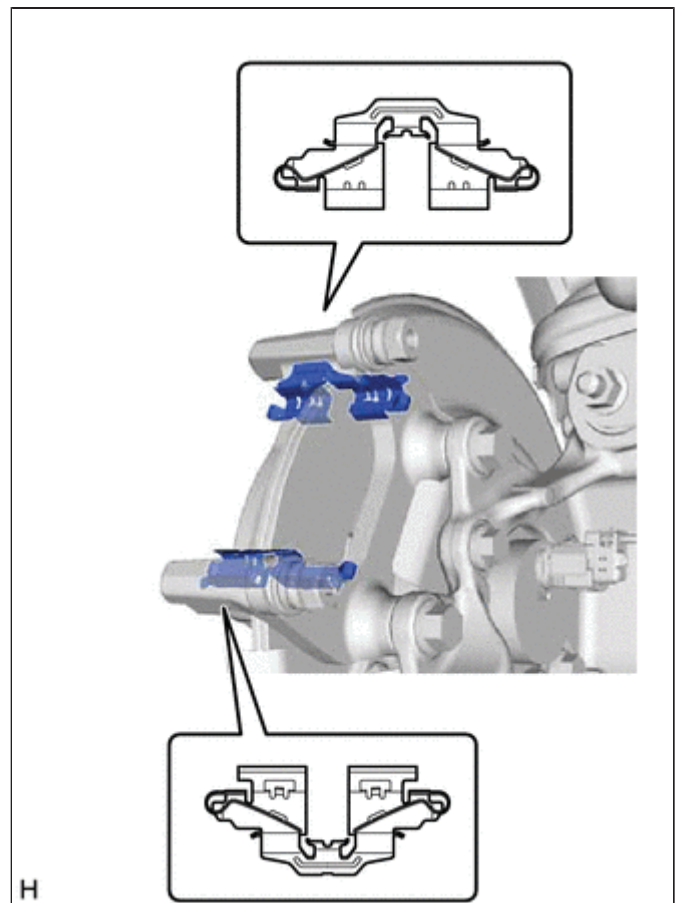
(e) Push the 2 rear disc brake pad guide pins into the 2 rear disc brake bushing dust boots to engage the pins to the boots.

5. INSTALL REAR DISC BRAKE PAD SUPPORT PLATE

(a) Install the 2 rear disc brake pad support plates to the rear disc brake cylinder mounting.

NOTICE:

Be sure to install each rear disc brake pad support plate in the correct position and direction.



6. INSTALL REAR DISC BRAKE ANTI SQUEAL SHIM KIT

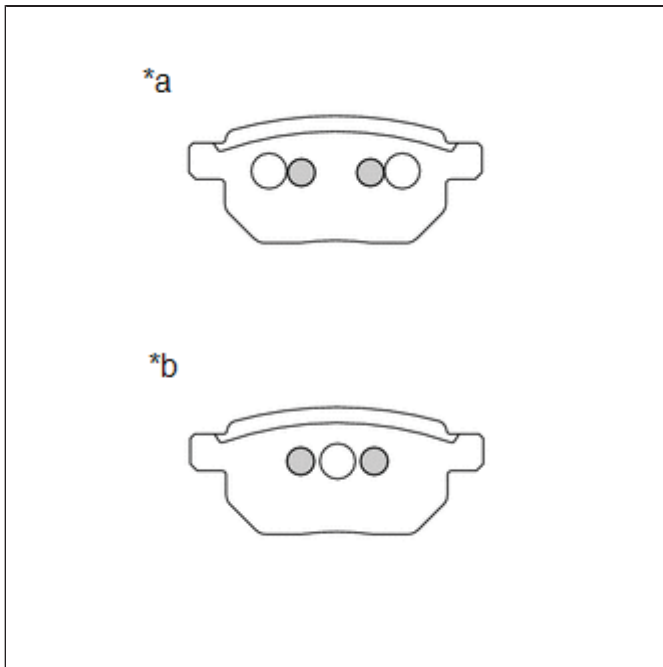
NOTICE:


- When replacing worn rear disc brake pads and rear disc brake anti-squeal shims must be replaced together with the

rear disc brake pads.

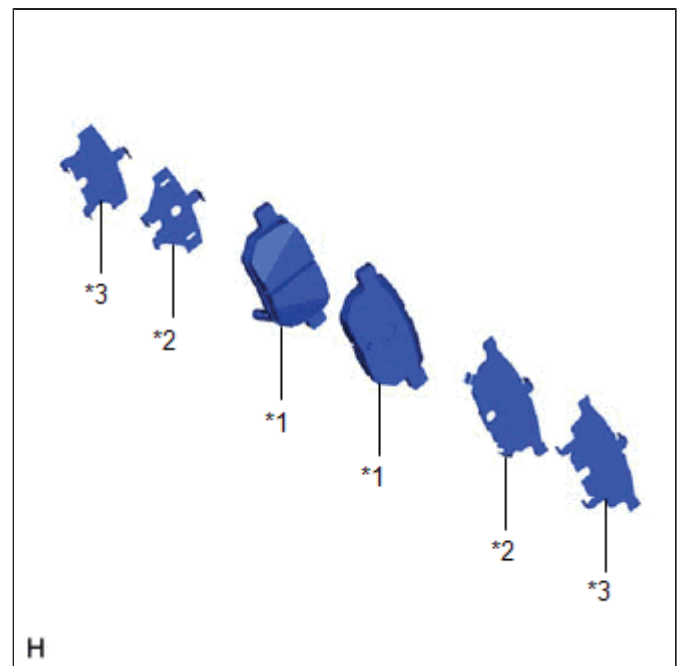
- Do not apply disc brake grease to the lining surface of the brake pad.
- Install the rear disc brake anti-squeal shims in the correct positions and directions.

(a) Apply disc brake grease to the back plate of the rear disc brake pads.



*a	Inner
*b	Outer
	Disc Brake Grease

(b) Install the rear No. 1 disc brake anti-squeal shim and rear No. 2 disc brake anti-squeal shim to each rear disc brake pad.



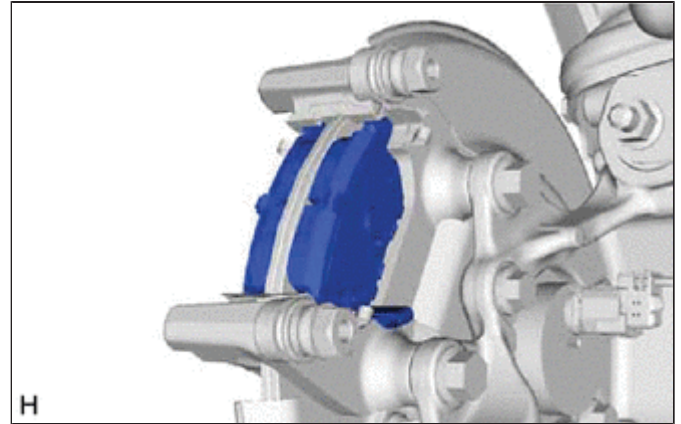
*1	Rear Disc Brake Pad
*2	Rear No. 1 Disc Brake Anti-squeal Shim

7. INSTALL REAR DISC BRAKE PAD KIT

- (a) Install the 2 rear disc brake pads to the rear disc brake cylinder mounting.

NOTICE:

There should be no oil or grease on the friction surfaces of the disc brake pads or the rear disc.

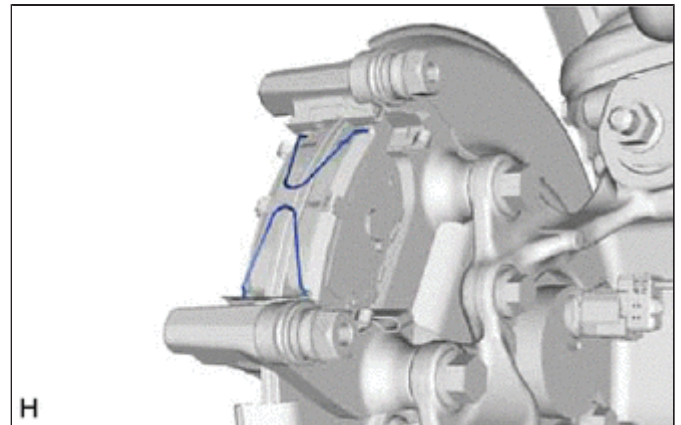


8. INSTALL ANTI SQUEAL SPRING

- (a) Install the 2 anti-squeal springs to the rear disc brake pads.

NOTICE:

- When replacing the rear disc brake pads with new ones, make sure to replace the anti-squeal springs at the same time.
- Be sure to install the anti-squeal springs into the rear disc brake pad installation holes as far as they will go.



9. INSTALL REAR DISC BRAKE CYLINDER ASSEMBLY

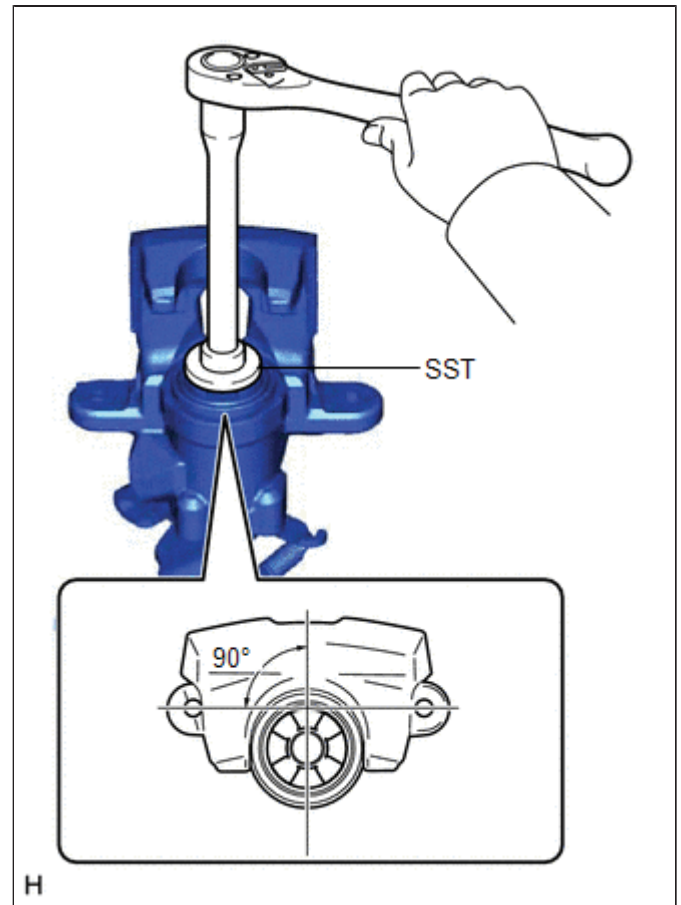
- (a) To compensate for pad lining thickness, use SST to adjust the protrusion of the rear disc brake piston by turning it.

SST: 09719-12010

09719-01030

NOTICE:

- Place the disc between the 2 brake pads and determine the piston return value.
- Turn the rear disc brake piston to the position where the protrusion on the rear disc brake pad lines up properly with the piston groove.



(b) Hold the 2 rear disc brake pad guide pins, and install the rear disc brake cylinder assembly to the rear disc brake cylinder mounting with the 2 bolts.

Torque:

34.3 N·m { 350 kgf·cm, 25 ft·lbf }

NOTICE:

- Install the rear disc brake cylinder assembly while holding both of the rear disc brake pads because the anti-squeal springs may fall off the rear disc brake pads.
- Be sure that the anti-squeal springs are installed to the rear disc brake pads.

10. CONNECT REAR FLEXIBLE HOSE

(a) Connect the rear flexible hose to the rear disc brake cylinder assembly with a new union bolt and a new gasket.

Torque:

33.3 N·m { 340 kgf·cm, 25 ft·lbf }

NOTICE:

Install the rear flexible hose lock securely into the lock hole in the rear disc brake cylinder assembly.

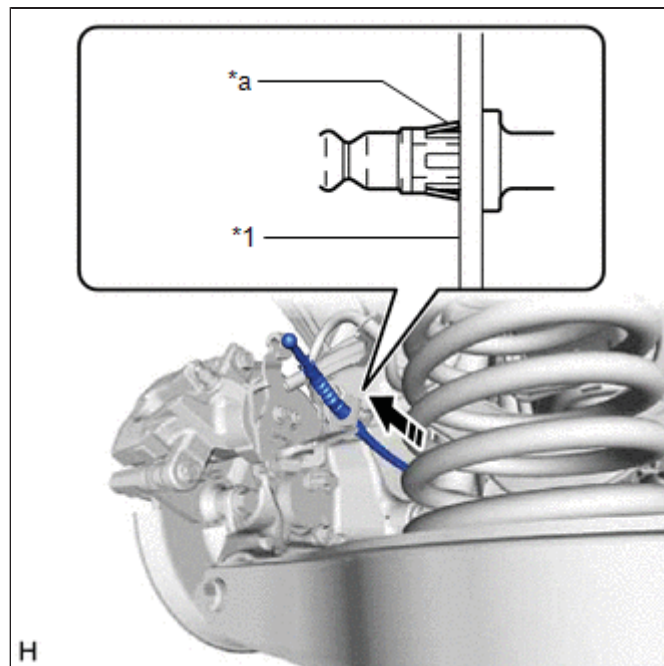
11. CONNECT NO. 3 PARKING BRAKE CABLE ASSEMBLY

(a) w/ Clip:

(1) Engage the clip to install the No. 3 parking brake cable assembly to the rear disc brake cylinder assembly.

NOTICE:

Be sure to engage the clip to the rear disc brake cylinder assembly as shown in the illustration.

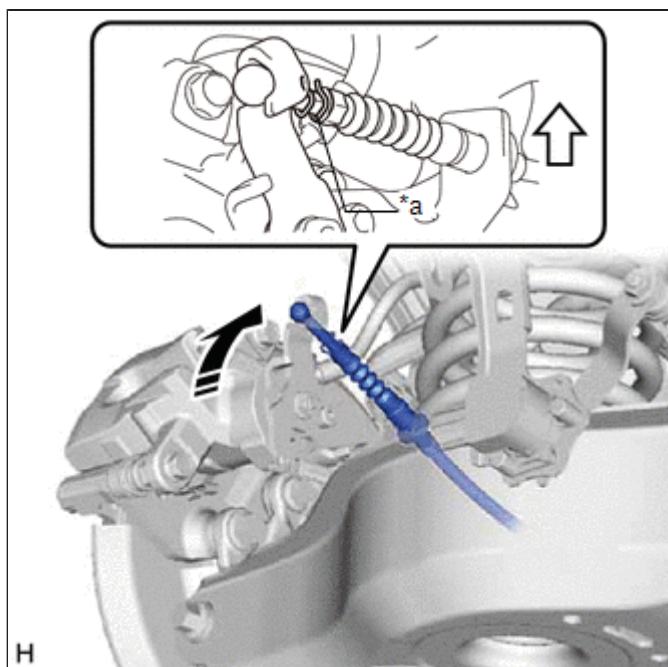


*1	Rear Disc Brake Cylinder Assembly
*a	Clip

(2) Connect the No. 3 parking brake cable assembly to the rear disc brake cylinder assembly.

NOTICE:

- Do not remove the clip from the No. 3 parking brake cable assembly.
- If the clip is removed from the No. 3 parking brake cable assembly, make sure to replace it with a new one.
- When engaging the clip, make sure that the open end of the clip is facing upward.



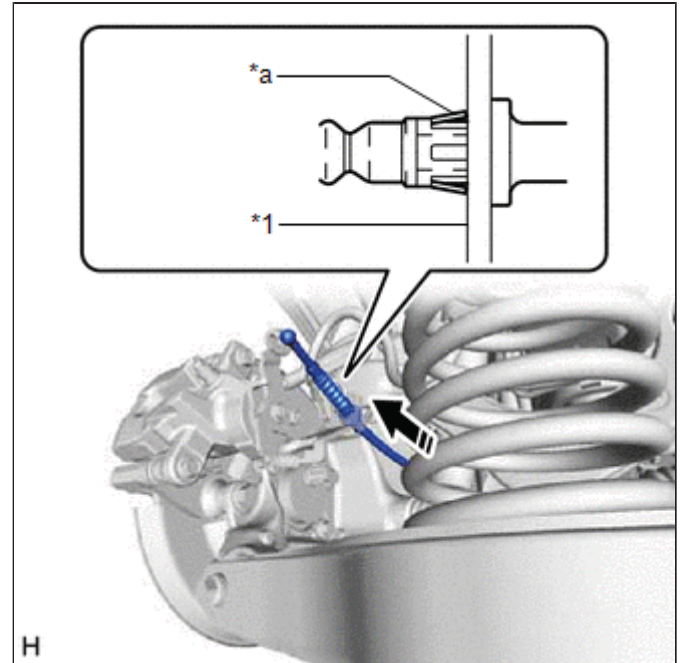
*a	Clip
↑	Upper Side

(b) w/o Clip:

(1) Engage the clip to install the No. 3 parking brake cable assembly to the rear disc brake cylinder assembly.

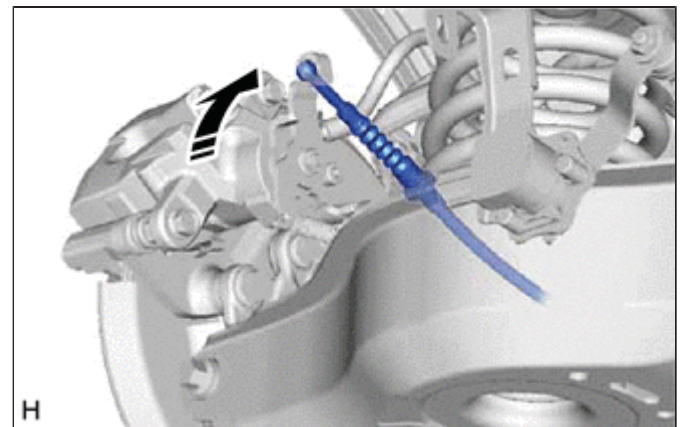
NOTICE:

Be sure to engage the clip to the rear disc brake cylinder assembly as shown in the illustration.



*1	Rear Disc Brake Cylinder Assembly
*a	Clip

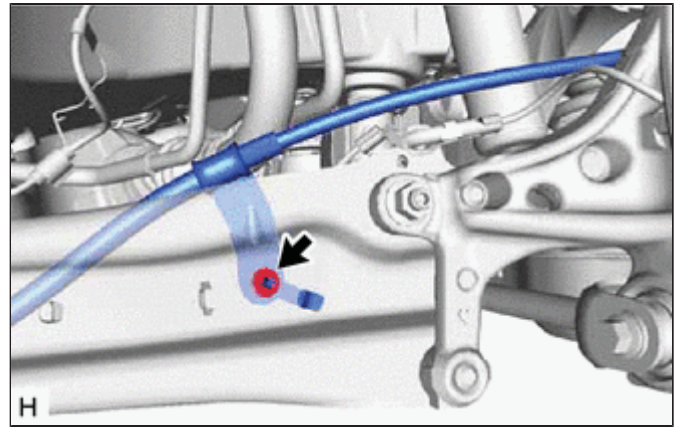
(2) Connect the No. 3 parking brake cable assembly to the rear disc brake cylinder assembly.



(c) Install the No. 3 parking brake cable assembly to the rear trailing arm assembly with the nut.

Torque:

15.5 N·m { 158 kgf·cm, 11 ft·lbf }



12. INSTALL PARKING BRAKE LEVER PROTECTOR

Click here [INFO](#)

13. CONNECT CABLE TO NEGATIVE AUXILIARY BATTERY TERMINAL

- (a) Connect the reservoir level switch connector.
- (b) Connect the cable to the negative (-) auxiliary battery terminal.

Click here [INFO](#)

- (c) Perform the following procedure if air bleeding is not necessary:

- (1) Turn the power switch on (READY).
- (2) Depress the brake pedal and release it.
- (3) Clear the DTCs.

Click here [INFO](#)

14. BLEED BRAKE LINE

Click here [INFO](#)

15. ADJUST PARKING BRAKE

Click here [INFO](#)

16. INSTALL REAR WHEEL

Click here [INFO](#)



Last Modified: 01-14-2019	6.8:8.0.48	Doc ID: RM100000000RMKM
Model Year Start: 2016	Model: Prius	Prod Date Range: [11/2015 -]
Title: BRAKE (REAR): REAR BRAKE: REASSEMBLY; 2016 - 2019 MY Prius [11/2015 -]		

REASSEMBLY

PROCEDURE

1. TEMPORARILY TIGHTEN REAR DISC BRAKE BLEEDER PLUG

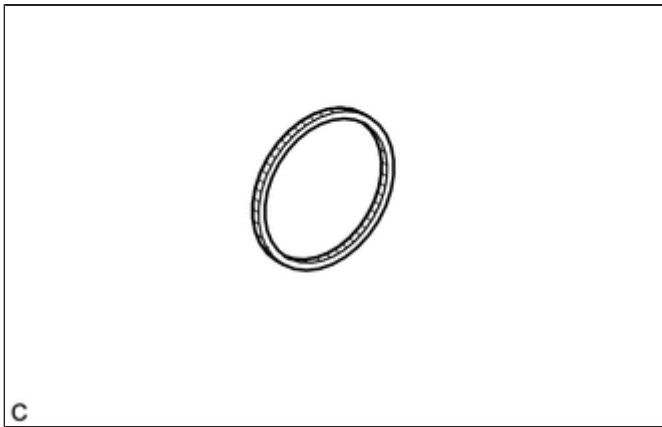
HINT:

Fully tighten the rear disc brake bleeder plug after bleeding the system.

2. INSTALL REAR DISC BRAKE BLEEDER PLUG CAP

3. INSTALL PISTON SEAL

(a) Apply a light layer of lithium soap base glycol grease to the entire circumference of a new piston seal.



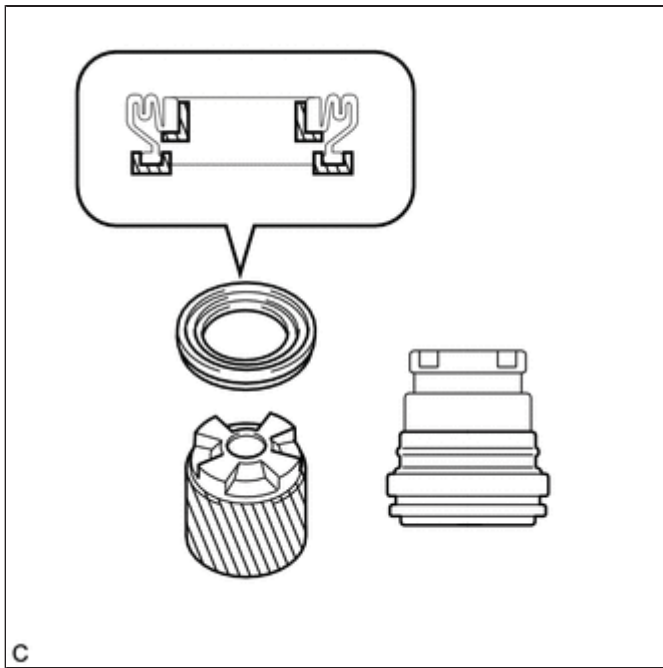
(b) Install the piston seal to the rear disc brake cylinder.

NOTICE:

Securely install the piston seal to the groove of the rear disc brake cylinder.

4. INSTALL CYLINDER BOOT

(a) Apply a light layer of lithium soap base glycol grease to the entire circumference of the rear disc brake piston and a new cylinder boot.



	Lithium Soap Base Glycol Grease
--	---------------------------------

(b) Install the cylinder boot to the rear disc brake piston as shown in the illustration.

NOTICE:

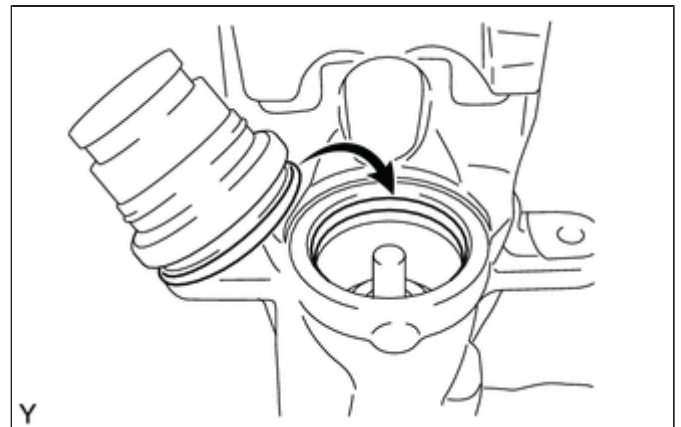
Do not install the cylinder boot after installing the piston into the disc brake cylinder.

5. INSTALL REAR DISC BRAKE PISTON

(a) Install the seal portion of the cylinder boot into the groove portion of the rear disc brake cylinder.

NOTICE:

Securely install the cylinder boot to the groove of the rear disc brake cylinder.



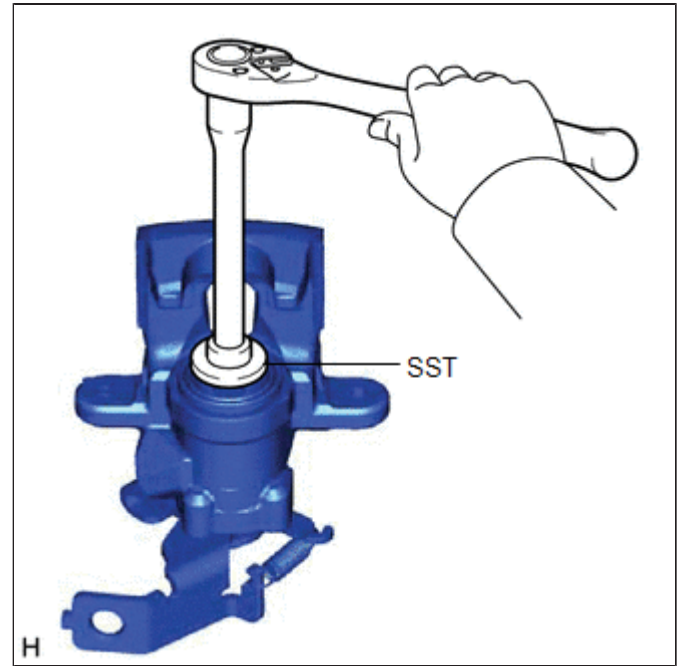
(b) Using SST, install the rear disc brake piston by turning it clockwise as far as possible.

SST: 09719-12010

09719-01030

NOTICE:

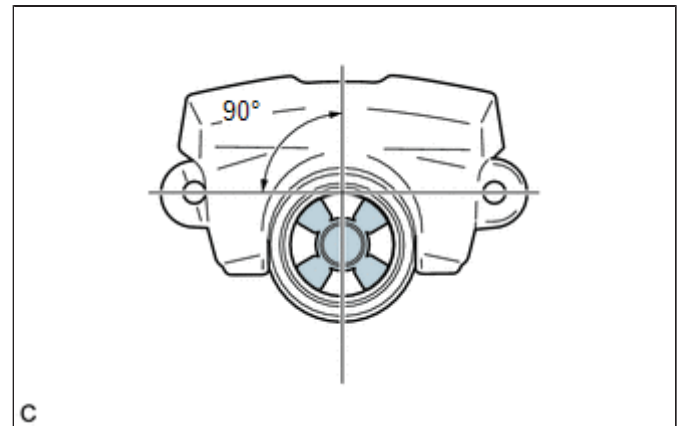
- Securely install the cylinder boot to the groove of the rear disc brake piston.
- Do not damage the rear disc brake piston or cylinder boot.



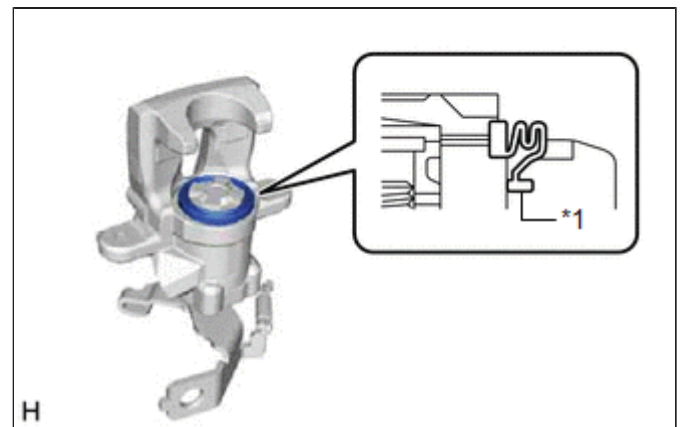
(c) Using SST, slowly return the piston until the piston groove is positioned as shown in the illustration.

HINT:

When installing the rear disc brake cylinder assembly to the rear disc brake cylinder mounting, align the piston groove with the protrusion on the rear disc brake pad.



(d) Make sure that the cylinder boot is securely installed into the groove of the rear disc brake cylinder and rear disc brake piston.



*1	Cylinder Boot
----	---------------



Last Modified: 01-14-2019	6.8:8.0.48	Doc ID: RM100000000RMKK
Model Year Start: 2016	Model: Prius	Prod Date Range: [11/2015 - 11/2017]
Title: BRAKE (REAR): REAR BRAKE: REMOVAL; 2016 - 2017 MY Prius [11/2015 - 11/2017]		

REMOVAL

CAUTION / NOTICE / HINT

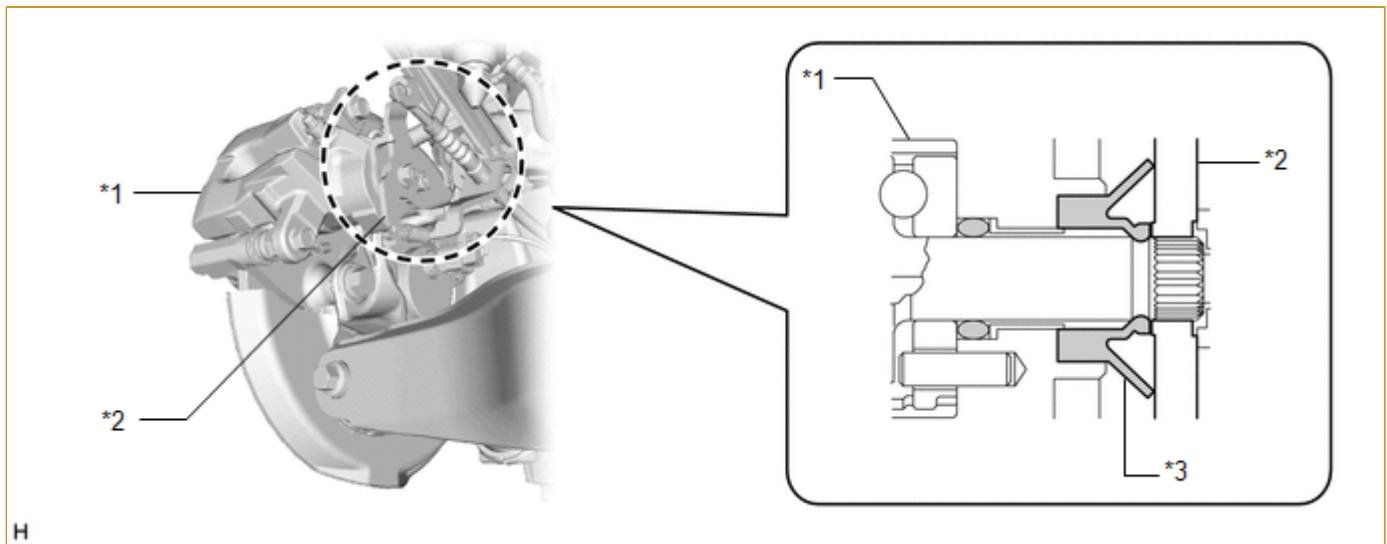
The necessary procedures (adjustment, calibration, initialization, or registration) that must be performed after parts are removed and installed, or replaced during rear brake removal/installation are shown below.

Necessary Procedures After Parts Removed/Installed/Replaced

REPLACED PART OR PERFORMED PROCEDURE	NECESSARY PROCEDURE	EFFECT/INOPERATIVE FUNCTION WHEN NECESSARY PROCEDURE NOT PERFORMED	LINK
Auxiliary battery terminal is disconnected/reconnected	Memorize steering angle neutral point	Lane departure alert system (w/ Steering Control)	INFO
		Intelligent clearance sonar system	
		Simple advanced parking guidance system	
		Pre-collision system	
	Initialize back door lock	Power door lock control system	INFO

NOTICE:

- Immediately after installing the brake pads, the braking performance may be reduced. Always perform a road test in a safe place while paying attention to the surroundings.
- When the brake pedal is first depressed after replacing the brake pads or pushing back the disc brake piston, DTC C1214 may be stored. As there is no malfunction, clear the DTC.
- While the auxiliary battery is connected, even if the power switch is off, the brake control system activates when the brake pedal is depressed or any door courtesy switch turns on. Therefore, when servicing the brake system components, do not operate the brake pedal or open/close the doors while the auxiliary battery is connected.
- After replacing the rear disc brake pads, always perform a road test to check the braking performance and check for vibrations.
- Make sure that brake cleaner containing mineral oil does not contact the rubber seal. If brake cleaner containing mineral oil contacts the rubber seal, immediately wash it with water and wipe it clean.



*1	Rear Disc Brake Cylinder Assembly	*2	Operation Lever
*3	Rubber Seal	-	-

HINT:

- Use the same procedure for the RH side and LH side.
- The following procedure is for the LH side.

PROCEDURE

1. PRECAUTION

NOTICE:

After turning the power switch off, waiting time may be required before disconnecting the cable from the negative (-) auxiliary battery terminal. Therefore, make sure to read the disconnecting the cable from the negative (-) auxiliary battery terminal notices before proceeding with work.

Click here [INFO](#)

2. DISABLE BRAKE CONTROL

Click here [INFO](#)

3. REMOVE REAR WHEEL

Click here [INFO](#)

4. DRAIN BRAKE FLUID

NOTICE:

If brake fluid leaks onto any painted surface, immediately wash it off.

5. LOOSEN NO. 1 WIRE ADJUSTING NUT

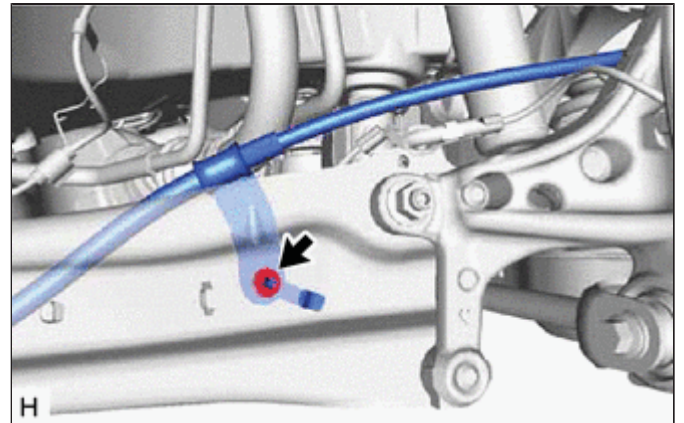
Click here [INFO](#)

6. REMOVE PARKING BRAKE LEVER PROTECTOR

Click here [INFO](#)

7. SEPARATE NO. 3 PARKING BRAKE CABLE ASSEMBLY

- (a) Remove the nut and separate the No. 3 parking brake cable assembly from the rear trailing arm assembly.

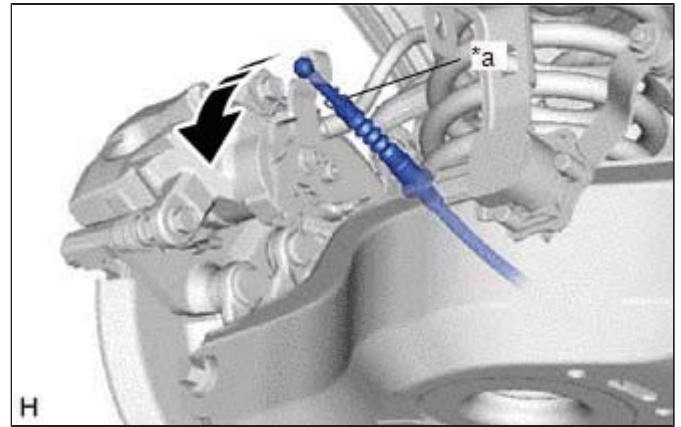


- (b) w/ Clip:

(1) Separate the No. 3 parking brake cable assembly from the rear disc brake cylinder assembly.

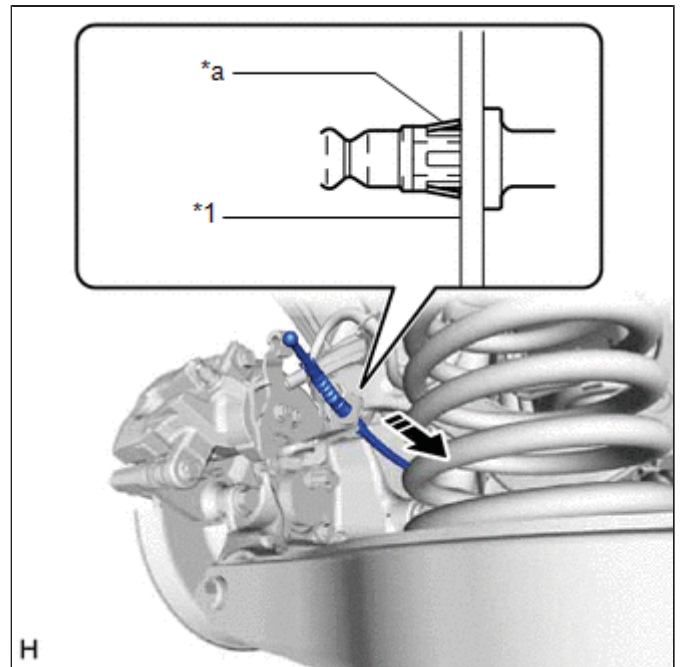
NOTICE:

- Do not remove the clip from the No. 3 parking brake cable assembly.
- If the clip is removed from the No. 3 parking brake cable assembly, make sure to replace it with a new one.



*a	Clip
----	------

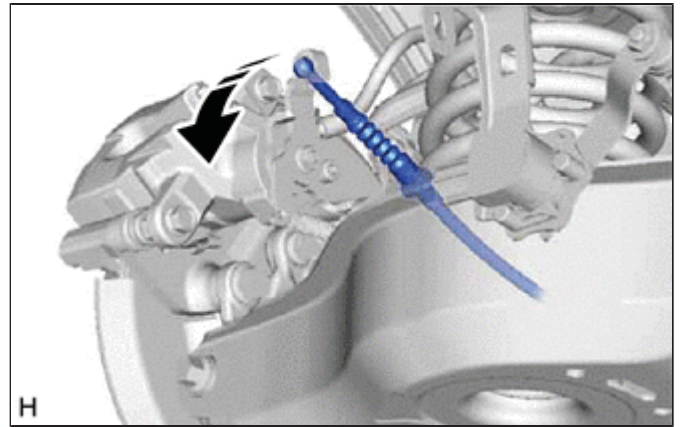
(2) Disengage the clip and separate the No. 3 parking brake cable assembly from the rear disc brake cylinder assembly.



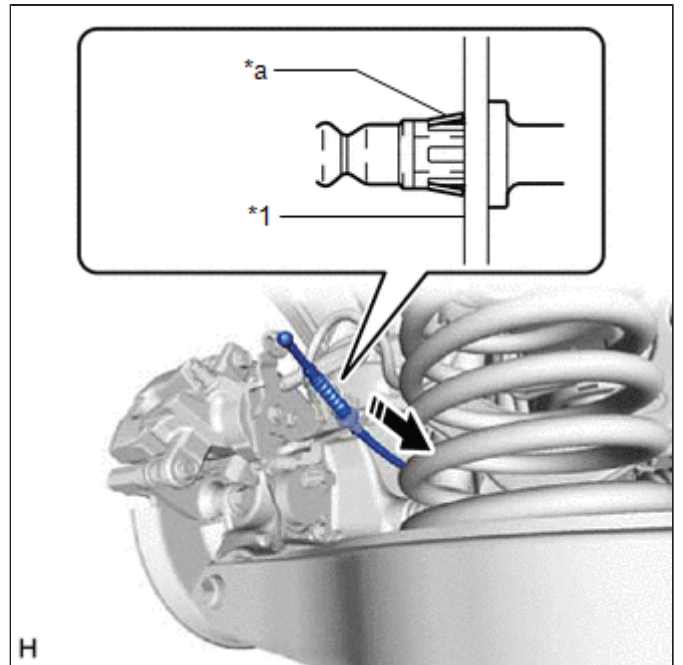
*1	Rear Disc Brake Cylinder Assembly
*a	Clip

(c) w/o Clip:

(1) Separate the No. 3 parking brake cable assembly from the rear disc brake cylinder assembly.



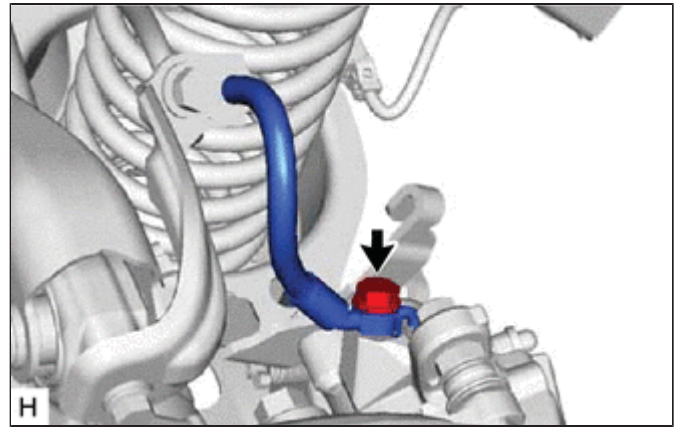
(2) Disengage the clip and separate the No. 3 parking brake cable assembly from the rear disc brake cylinder assembly.



*1	Rear Disc Brake Cylinder Assembly
*a	Clip

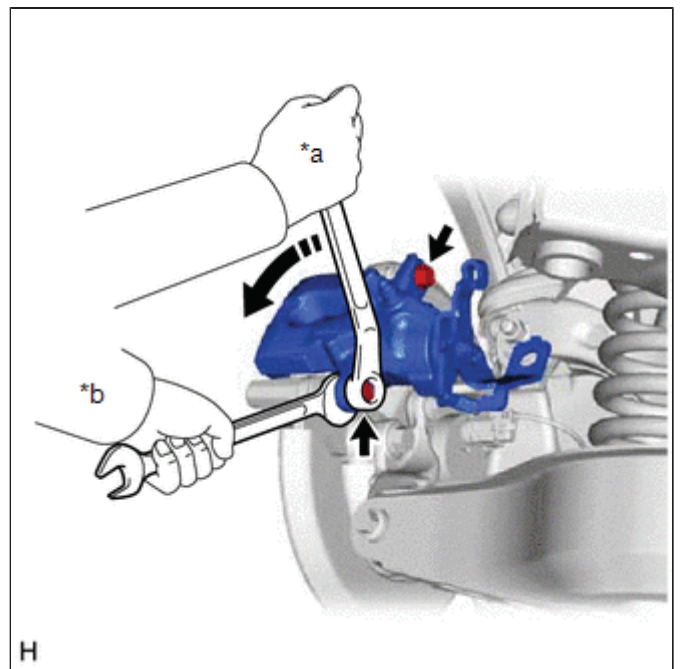
8. DISCONNECT REAR FLEXIBLE HOSE

(a) Remove the union bolt and gasket, and disconnect the rear flexible hose from the rear disc brake cylinder assembly.



9. REMOVE REAR DISC BRAKE CYLINDER ASSEMBLY

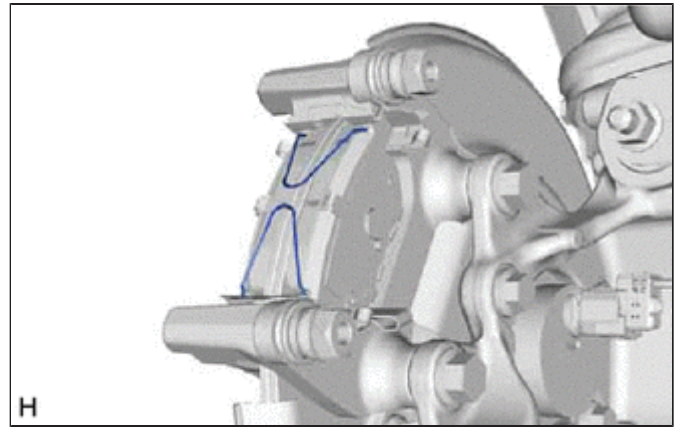
(a) Hold the 2 rear disc brake pad guide pins and remove the 2 bolts and rear disc brake cylinder assembly from the disc brake cylinder mounting.



*a	Turn
*b	Hold

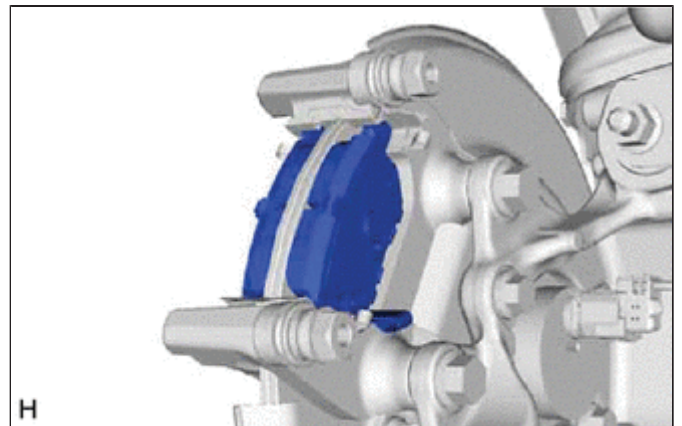
10. REMOVE ANTI SQUEAL SPRING

(a) Remove the 2 anti-squeal springs from the rear disc brake pads.



11. REMOVE REAR DISC BRAKE PAD KIT

- (a) Remove the 2 rear disc brake pads from the rear disc brake cylinder mounting.



12. REMOVE REAR DISC BRAKE ANTI SQUEAL SHIM KIT

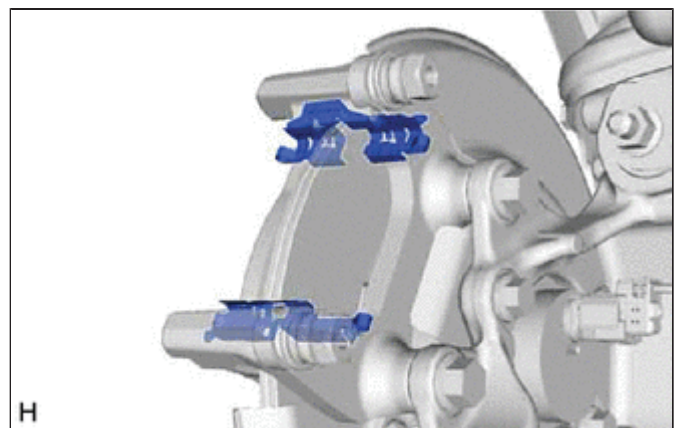
- (a) Remove the rear No. 1 disc brake anti-squeal shim and rear No. 2 disc brake anti-squeal shim from each rear disc brake pad.

13. REMOVE REAR DISC BRAKE PAD SUPPORT PLATE

- (a) Remove the 2 rear disc brake pad support plates from the rear disc brake cylinder mounting.

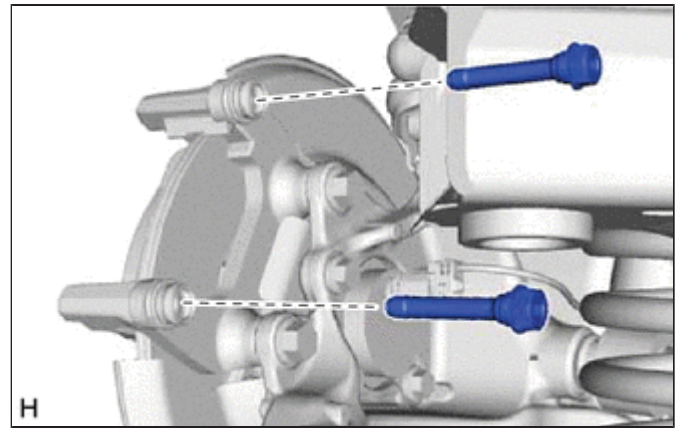
NOTICE:

Each rear disc brake pad support plate has a different shape. Be sure to put an identification mark on each rear disc brake pad support plate so that it can be reinstalled to its original position.



14. REMOVE REAR DISC BRAKE PAD GUIDE PIN

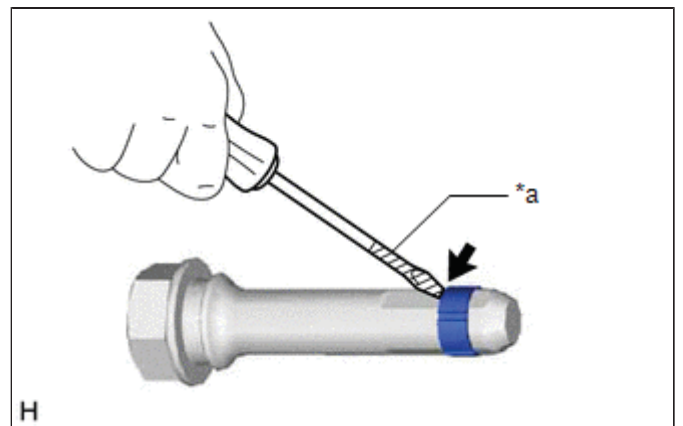
(a) Remove the 2 rear disc brake pad guide pins from the rear disc brake cylinder mounting.



(b) Using a screwdriver with its tip wrapped with protective tape, remove the rear disc brake cylinder slide bushing from each rear disc brake pad guide pin.

NOTICE:

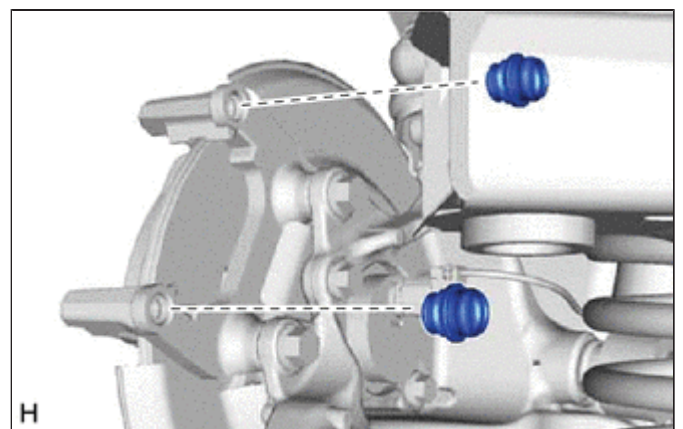
Do not damage the rear disc brake pad guide pins.



*a	Protective Tape
----	-----------------

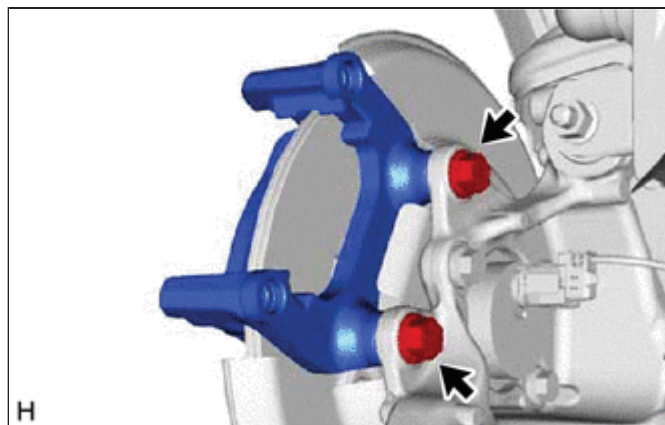
15. REMOVE REAR DISC BRAKE BUSHING DUST BOOT

(a) Remove the 2 rear disc brake bushing dust boots from the rear disc brake cylinder mounting.



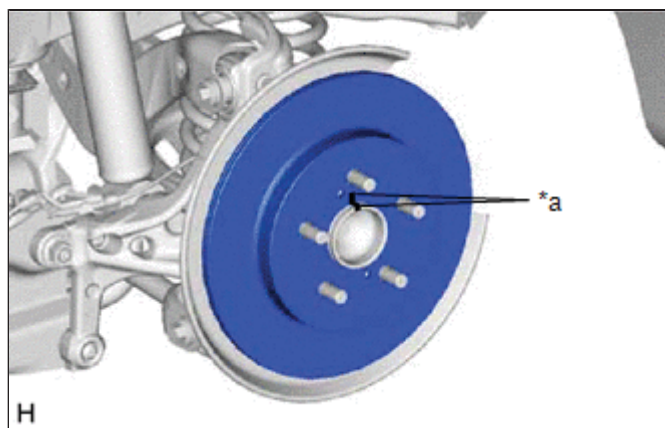
16. REMOVE REAR DISC BRAKE CYLINDER MOUNTING

(a) Remove the 2 bolts and rear disc brake cylinder mounting from the rear axle carrier sub-assembly.



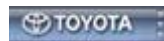
17. REMOVE REAR DISC

(a) Put matchmarks on the rear disc and the rear axle hub and bearing assembly.



*a	Matchmark
----	-----------

(b) Remove the rear disc.



Last Modified: 01-14-2019	6.8:8.0.48	Doc ID: RM100000000RMKN
Model Year Start: 2016	Model: Prius	Prod Date Range: [11/2015 - 12/2018]
Title: BRAKE (REAR): REAR DISC BRAKE PAD: REPLACEMENT; 2016 - 2018 MY Prius [11/2015 - 12/2018]		

REPLACEMENT

CAUTION / NOTICE / HINT

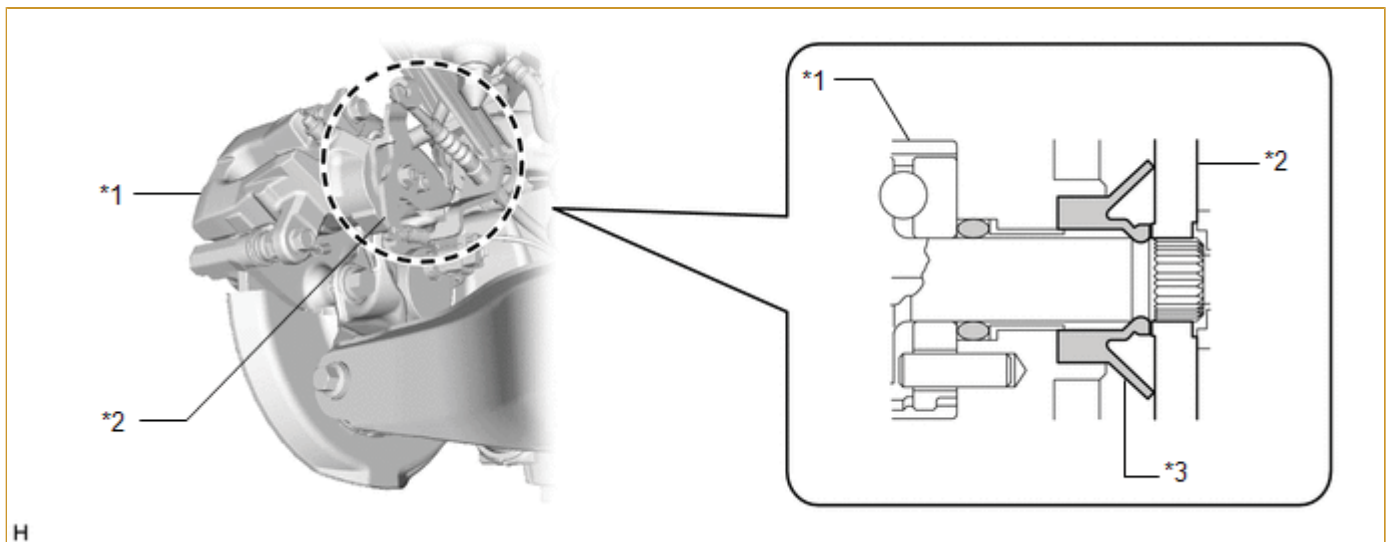
The necessary procedures (adjustment, calibration, initialization, or registration) that must be performed after parts are removed and installed, or replaced during rear disc brake pad removal/installation are shown below.

Necessary Procedures After Parts Removed/Installed/Replaced

REPLACED PART OR PERFORMED PROCEDURE	NECESSARY PROCEDURE	EFFECT/INOPERATIVE FUNCTION WHEN NECESSARY PROCEDURE NOT PERFORMED	LINK
Auxiliary battery terminal is disconnected/reconnected	Memorize steering angle neutral point	Lane departure alert system (w/ Steering Control)	INFO
		Intelligent clearance sonar system	
		Simple advanced parking guidance system	
		Pre-collision system	
	Initialize back door lock	Power door lock control system	INFO

NOTICE:

- Immediately after installing the brake pads, the braking performance may be reduced. Always perform a road test in a safe place while paying attention to the surroundings.
- After replacing the rear disc brake pads, the brake pedal may feel soft due to clearance between the rear disc brake pads and rear disc. Depress the brake pedal several times until the brake pedal feels firm.
- When the brake pedal is first depressed after replacing the brake pads or pushing back the disc brake piston, DTC C1214 may be stored. As there is no malfunction, clear the DTC.
- While the auxiliary battery is connected, even if the power switch is off, the brake control system activates when the brake pedal is depressed or any door courtesy switch turns on. Therefore, when servicing the brake system components, do not operate the brake pedal or open/close the doors while the auxiliary battery is connected.
- After replacing the rear disc brake pads, always perform a road test to check the braking performance and check for vibrations.
- Make sure that brake cleaner containing mineral oil does not contact the rubber seal. If brake cleaner containing mineral oil contacts the rubber seal, immediately wash it with water and wipe it clean.



H

*1	Rear Disc Brake Cylinder Assembly	*2	Operation Lever
----	-----------------------------------	----	-----------------

HINT:

- Use the same procedure for the RH side and LH side.
- The following procedure is for the LH side.

PROCEDURE

1. PRECAUTION

NOTICE:

After turning the power switch off, waiting time may be required before disconnecting the cable from the negative (-) auxiliary battery terminal. Therefore, make sure to read the disconnecting the cable from the negative (-) auxiliary battery terminal notices before proceeding with work.

Click here

INFO

INFO

2. DISABLE BRAKE CONTROL

Click here

INFO

3. REMOVE REAR WHEEL

Click here

INFO

4. LOOSEN NO. 1 WIRE ADJUSTING NUT

Click here

INFO

5. REMOVE PARKING BRAKE LEVER PROTECTOR

Click here

INFO

INFO

6. SEPARATE NO. 3 PARKING BRAKE CABLE ASSEMBLY

Click here

INFO

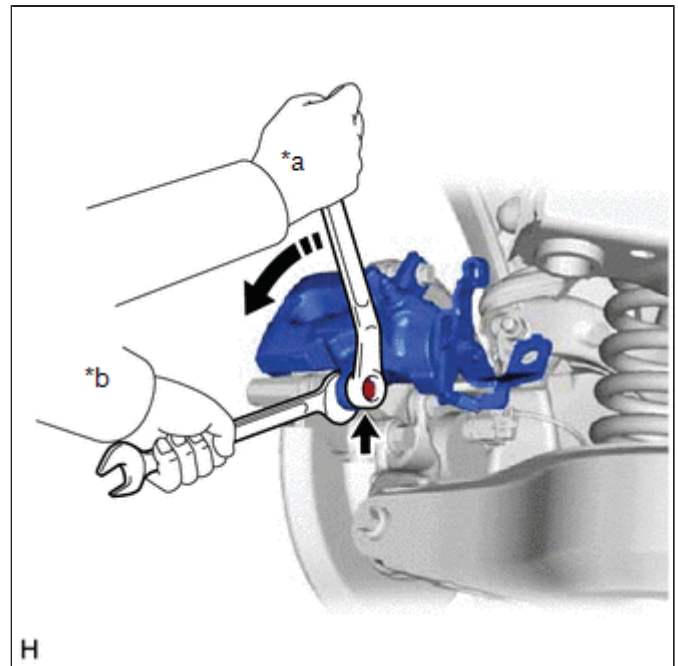
INFO

7. SEPARATE REAR DISC BRAKE CYLINDER ASSEMBLY

CAUTION:

Be careful not to get pinched by the rear disc brake cylinder assembly or other parts when removing the rear disc brake pads.

- (a) Hold the rear disc brake pad guide pins and remove the bolt.



*a	Turn
*b	Hold

(b) Pull the rear disc brake cylinder assembly upward.

8. REMOVE ANTI SQUEAL SPRING

Click here [INFO](#) [INFO](#)

9. REMOVE REAR DISC BRAKE PAD KIT

(a) Remove the 2 rear disc brake pads from the rear disc brake cylinder mounting.

10. REMOVE REAR DISC BRAKE ANTI SQUEAL SHIM KIT

Click here [INFO](#) [INFO](#)

11. INSTALL REAR DISC BRAKE ANTI SQUEAL SHIM KIT

Click here [INFO](#) [INFO](#)

12. INSTALL REAR DISC BRAKE PAD KIT

CAUTION:

Be careful not to get pinched by the rear disc brake cylinder assembly or other parts when installing the rear disc brake pads.

(a) Install the 2 rear disc brake pads to the rear disc brake cylinder mounting.

NOTICE:

There should be no oil or grease on the friction surfaces of the disc brake pads or the rear disc.

13. INSTALL ANTI SQUEAL SPRING

Click here [INFO](#) [INFO](#)

14. INSTALL REAR DISC BRAKE CYLINDER ASSEMBLY

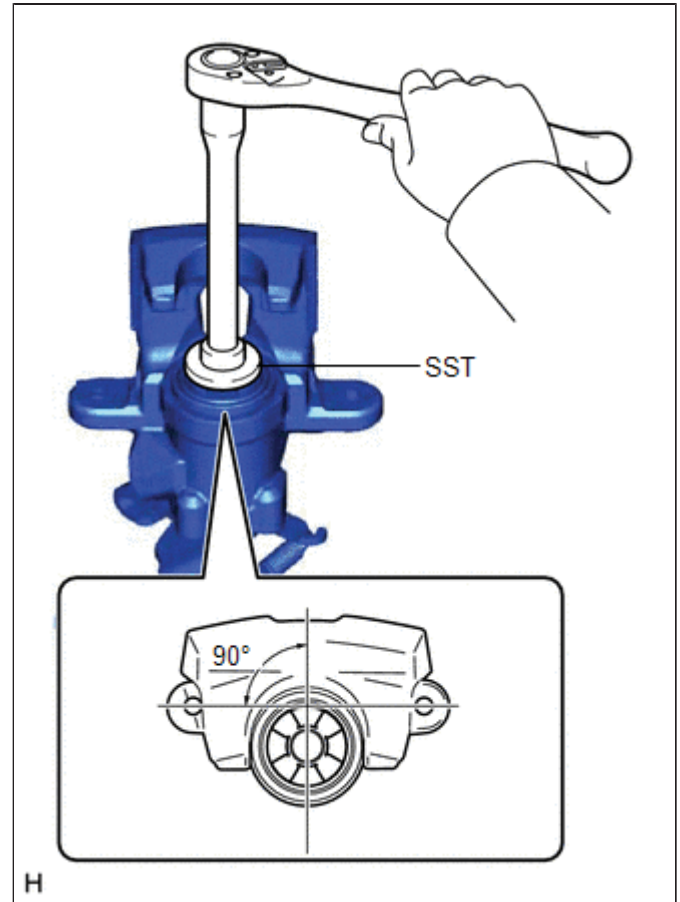
(a) To compensate for pad lining thickness, use SST to adjust the protrusion of the rear disc brake piston by turning it.

SST: 09719-12010

09719-01030

NOTICE:

- Place the disc between the 2 brake pads and determine the piston return value.
- Turn the rear disc brake piston to the position where the protrusion on the rear disc brake pad lines up properly with the piston groove.
- Make sure the brake fluid does not overflow from the reservoir.



(b) Hold the rear disc brake pad guide pin and install the rear disc brake cylinder assembly to the rear disc brake cylinder mounting with the bolt.

Torque:

34.3 N·m { 350 kgf·cm, 25 ft·lbf }

NOTICE:

- Install the rear disc brake cylinder assembly while holding both of the rear disc brake pads because the anti-squeal springs may fall off the rear disc brake pads.
- Be sure that the anti-squeal springs are installed to the rear disc brake pads.

15. CONNECT NO. 3 PARKING BRAKE CABLE ASSEMBLY

Click here [INFO](#) [INFO](#)

16. INSTALL PARKING BRAKE LEVER PROTECTOR

Click here [INFO](#) [INFO](#)

17. CONNECT CABLE TO NEGATIVE AUXILIARY BATTERY TERMINAL

- (a) Connect the reservoir level switch connector.
- (b) Connect the cable to the negative (-) auxiliary battery terminal.

Click here [INFO](#)

- (c) Turn the power switch on (READY).
- (d) Depress the brake pedal and release it.
- (e) Clear the DTCs.