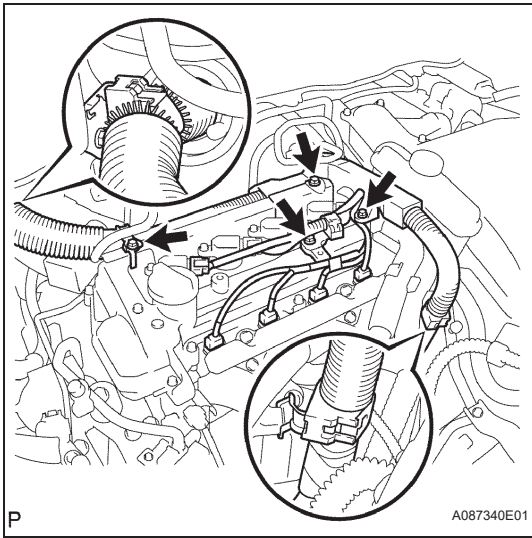
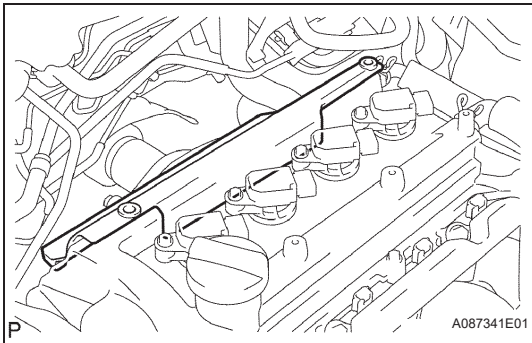


- (d) Remove the nut.
- (e) Slightly lift the headlight RH and separate the claw fitting, then remove the washer jar assembly.
- (f) Disconnect the hose from the washer jar assembly.

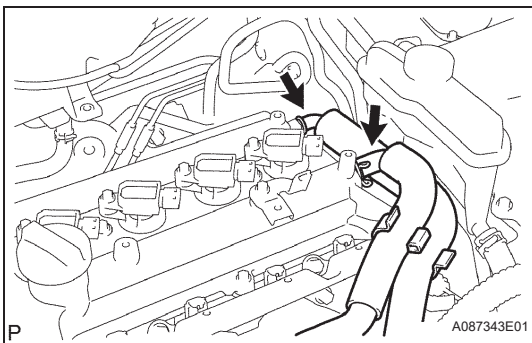
24. REMOVE CYLINDER HEAD COVER



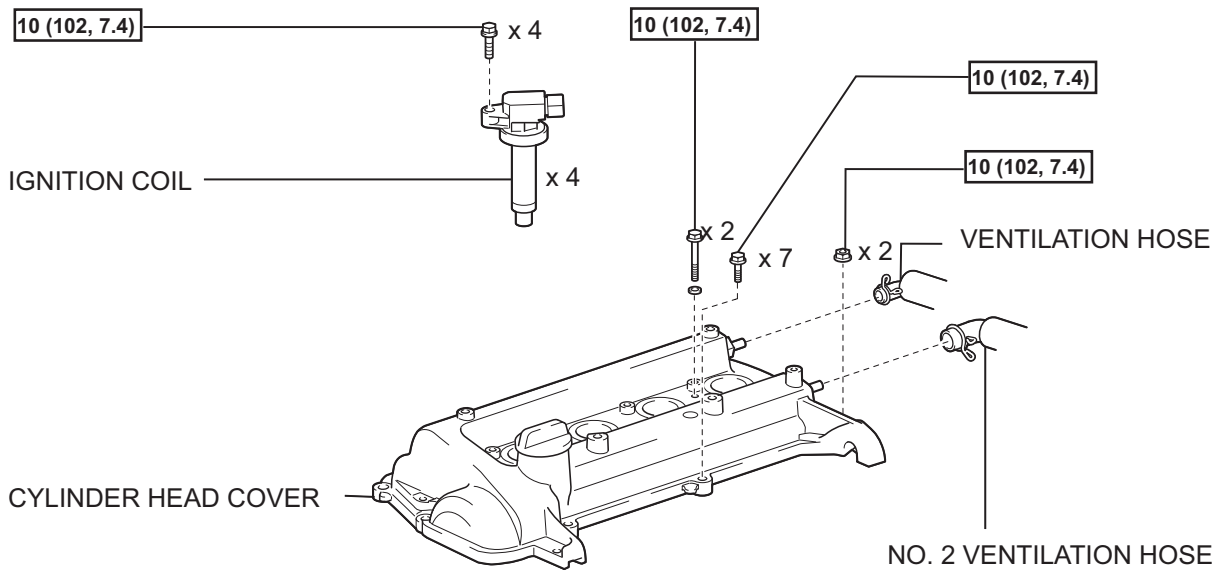
- (a) Disconnect the fuel injector connector and ignition coil connector.
- (b) Remove the 3 bolts and wire harness clamp, then disconnect the wire harness.



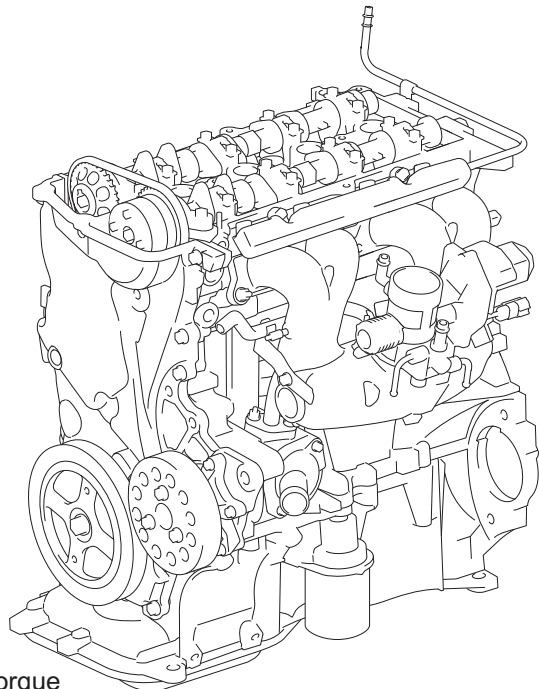
- (c) Remove the brake master cylinder reservoir cover.



- (d) Disconnect the ventilation hose and ventilation hose No. 2.



EM



N*m (kgf*cm, ft.*lbf) : Specified torque