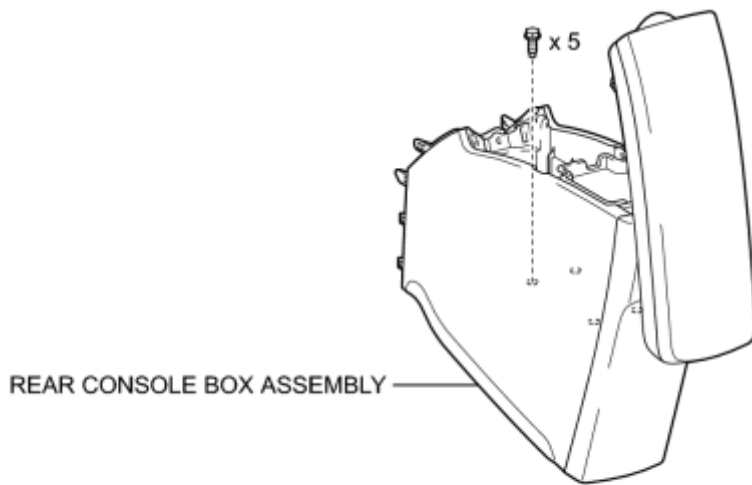
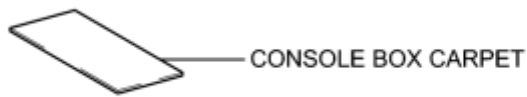


COMPONENTS

ILLUSTRATION

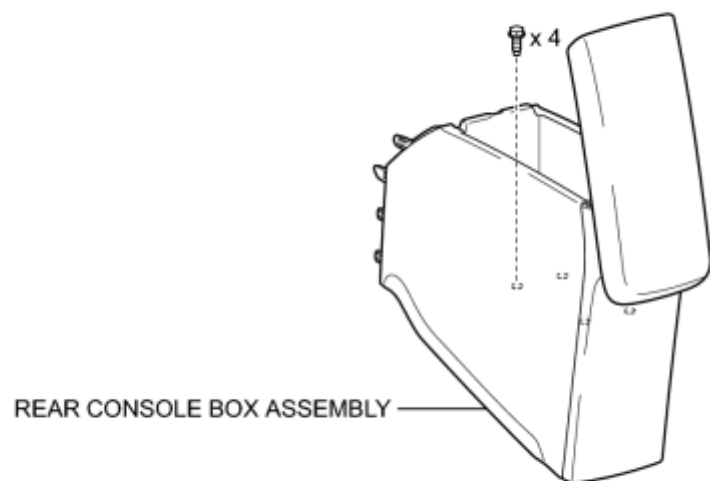
w/ Power Outlet Socket:



P

ILLUSTRATION

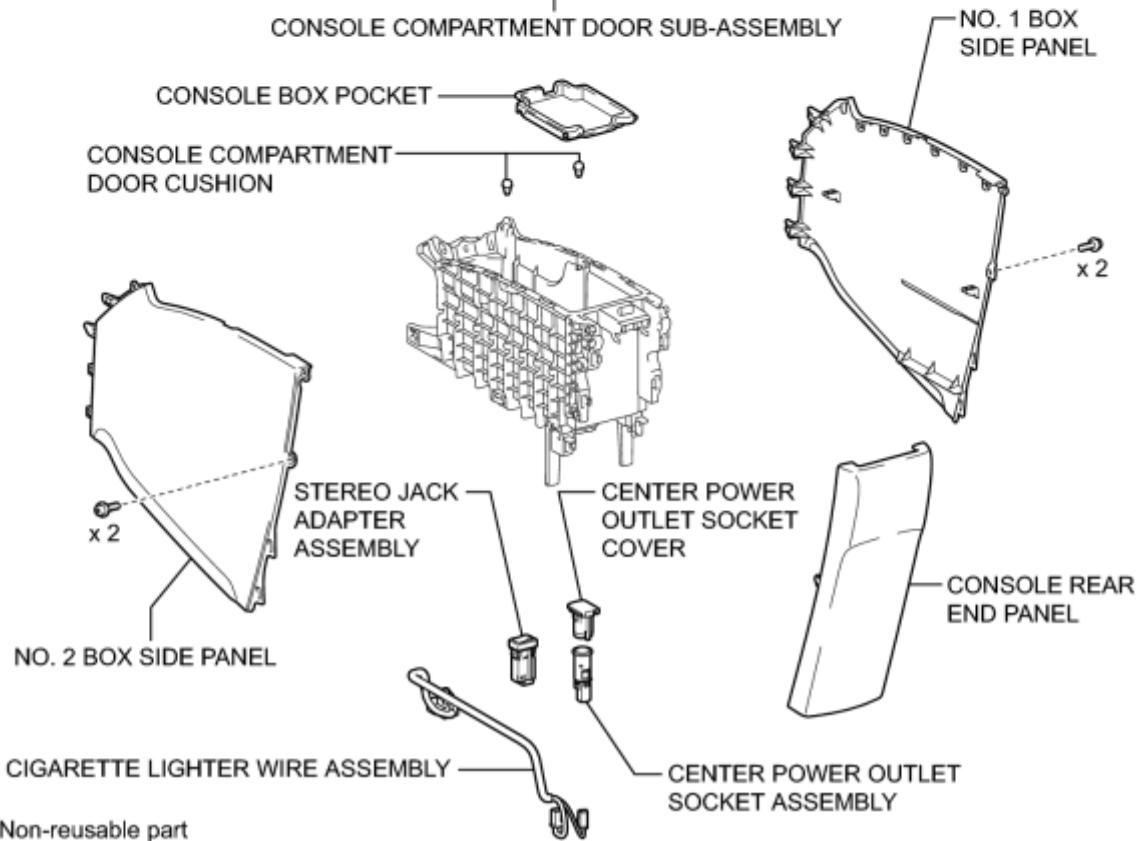
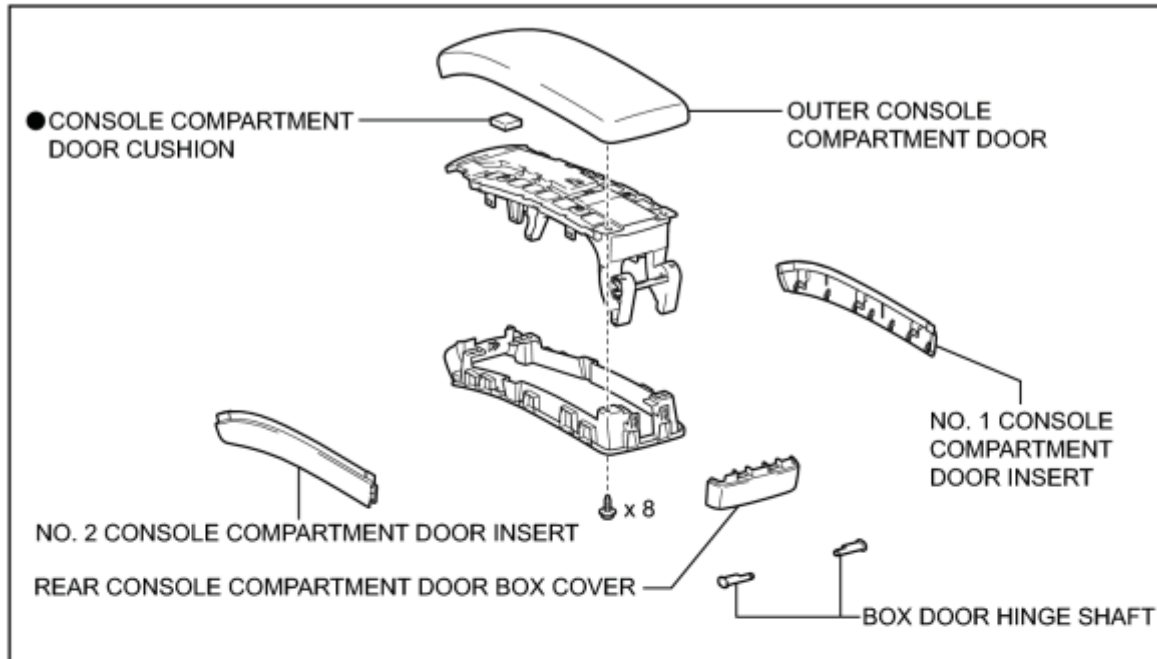
w/o Power Outlet Socket:



P

ILLUSTRATION

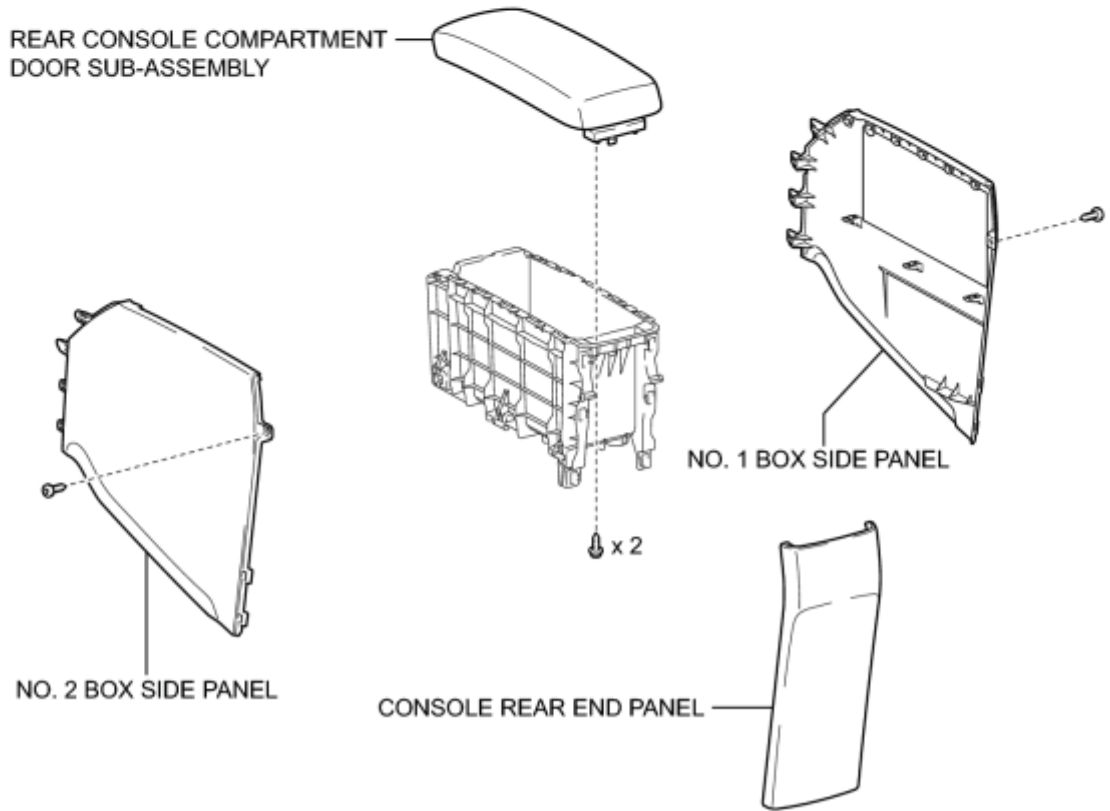
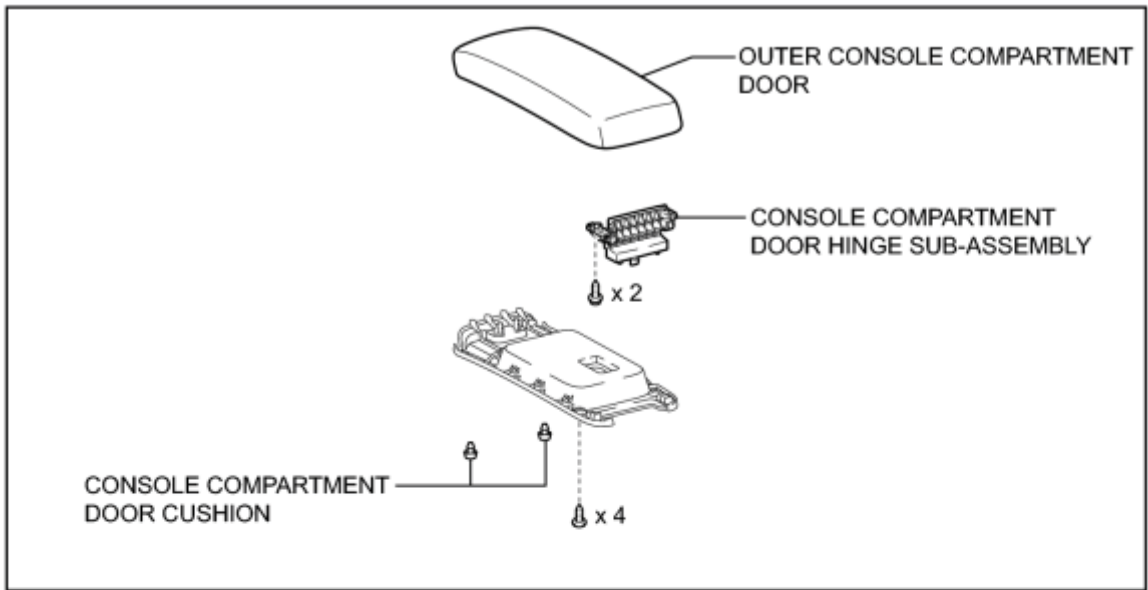
w/ Power Outlet Socket:



P

ILLUSTRATION

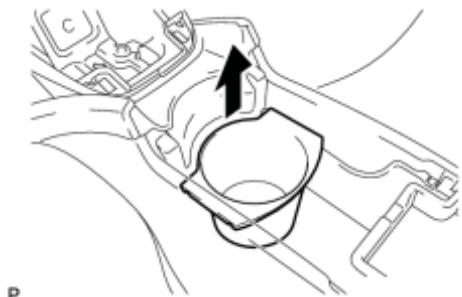
w/o Power Outlet Socket:



P

REMOVAL

1. REMOVE REAR CONSOLE BOX POCKET (w/ Power Outlet Socket)



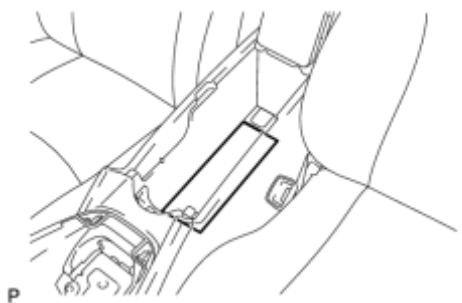
(a) Remove the rear console box pocket.

2. REMOVE UPPER CONSOLE PANEL (w/ Power Outlet Socket)



(a) Using a moulding remover, disengage the 3 claws to remove the upper console panel as shown in the illustration.

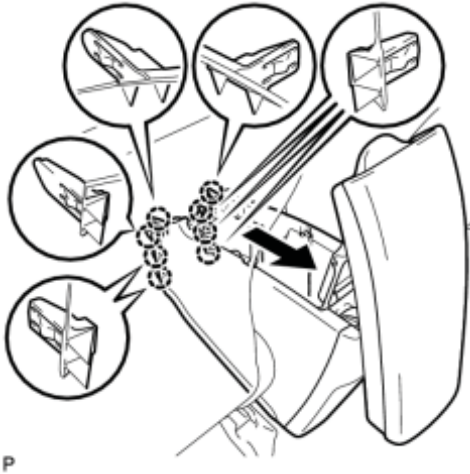
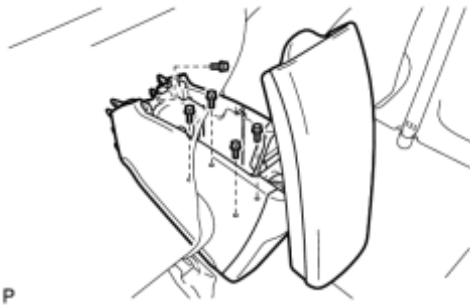
3. REMOVE CONSOLE BOX CARPET



(a) Remove the console box carpet.

4. REMOVE REAR CONSOLE BOX ASSEMBLY (w/ Power Outlet Socket)

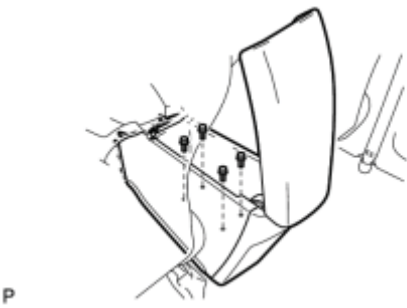
(a) Remove the 5 bolts.



(b) Pull the rear console box assembly in the direction indicated by the arrow to disengage the 8 claws.

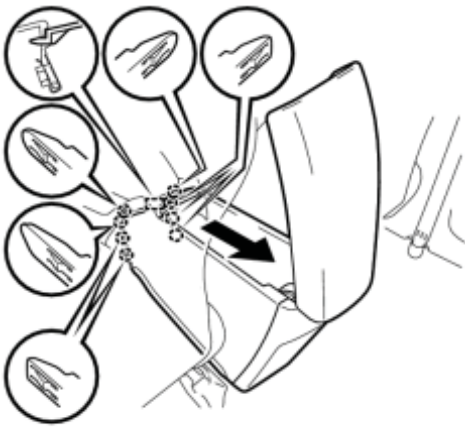
(c) Disconnect the connector and remove the rear console box assembly.

5. REMOVE REAR CONSOLE BOX ASSEMBLY (w/o Power Outlet Socket)



(a) Remove the 4 bolts.

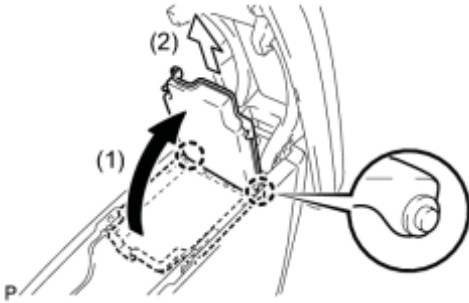
(b) Pull the rear console box assembly in the direction indicated by the arrow to disengage the 8 claws and guide.



P

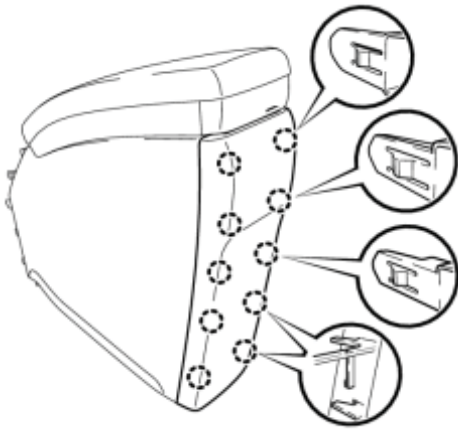
DISASSEMBLY

1. REMOVE CONSOLE BOX POCKET (w/ Power Outlet Socket)



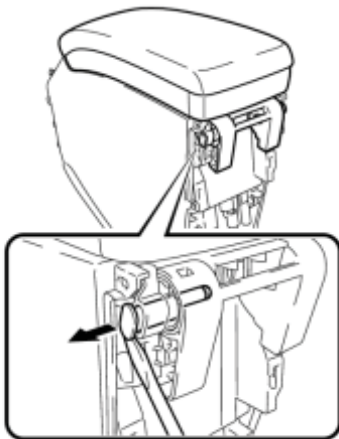
(a) Disengage the 2 claws and remove the console box pocket as shown in the illustration.

2. REMOVE CONSOLE REAR END PANEL (w/ Power Outlet Socket)



(a) Disengage the 10 claws to remove the console rear end panel.

3. REMOVE CONSOLE COMPARTMENT DOOR SUB-ASSEMBLY (w/ Power Outlet Socket)

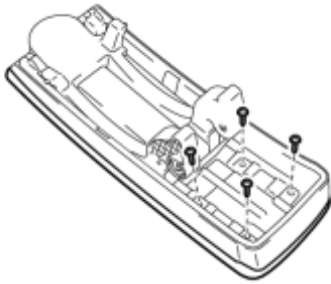


(a) Using a screwdriver, pull out the box door hinge shafts.

- The illustration is for the LH side.
- Use the same procedure for the RH side and LH side.

(b) Remove the console compartment door sub-assembly.

4. REMOVE REAR CONSOLE COMPARTMENT DOOR BOX COVER (w/ Power Outlet Socket)



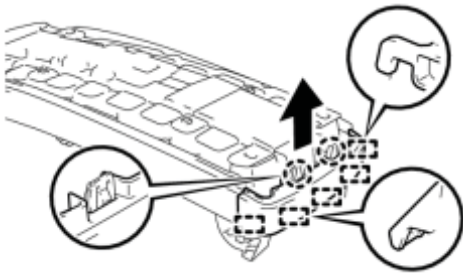
(a) Remove the 4 screws.

P



(b) Remove the 4 screws and the outer console compartment door.

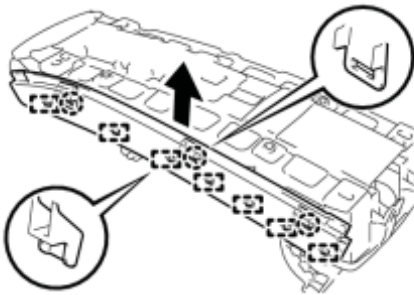
P



(c) Pull the rear console compartment door box cover in the direction indicated by the arrow to disengage the 2 claws and 5 guides, and remove the rear console compartment door box cover.

P

5. REMOVE NO. 2 CONSOLE COMPARTMENT DOOR INSERT (w/ Power Outlet Socket)



(a) Pull the No. 2 console compartment door insert in the direction indicated by the arrow to disengage the 3 claws and 7 guides, and remove the No. 2 console compartment door insert.

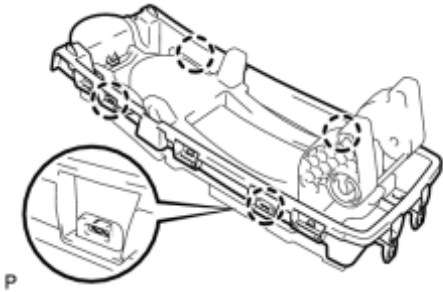
P

6. REMOVE NO. 1 CONSOLE COMPARTMENT DOOR INSERT (w/ Power Outlet Socket)

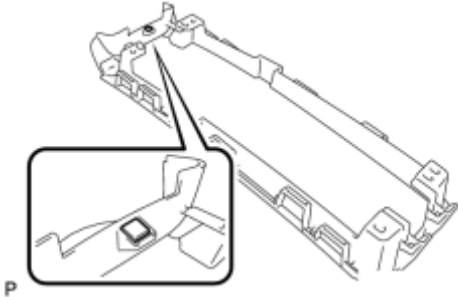
HINT:

Use the same procedure for the RH side and LH side.

7. REMOVE CONSOLE COMPARTMENT DOOR CUSHION (w/ Power Outlet Socket)

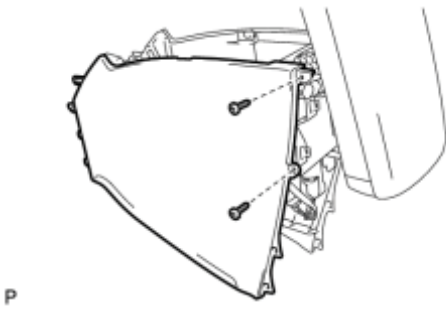


(a) Disengage the 4 claws and remove the inner console compartment door.

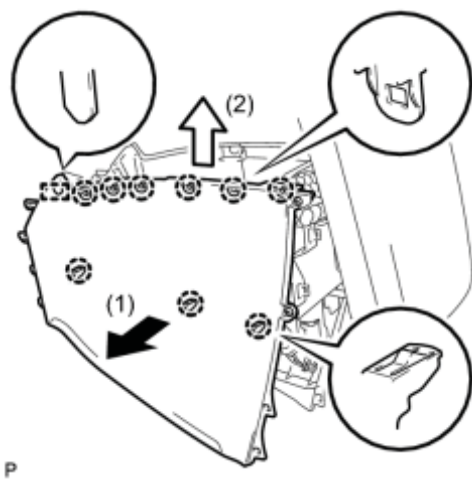


(b) Remove the console compartment door cushion.

8. REMOVE NO. 2 BOX SIDE PANEL (w/ Power Outlet Socket)



(a) Remove the 2 screws.



(b) Pull the No. 2 box side panel in the direction indicated by the arrow to disengage the 9 claws and guide, and remove the No. 2 box side panel.

9. REMOVE NO. 1 BOX SIDE PANEL (w/ Power Outlet Socket)

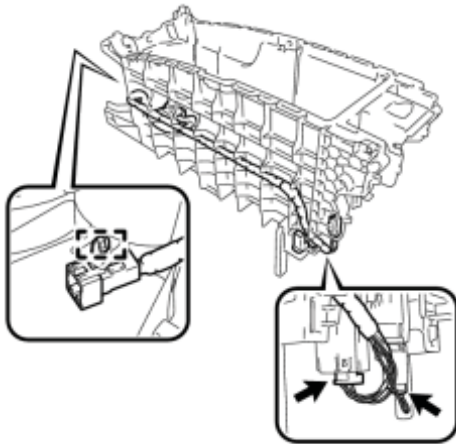
HINT:

Use the same procedure for the RH side and LH side.

10. REMOVE CONSOLE COMPARTMENT DOOR CUSHION (w/ Power Outlet Socket)

(a) Remove the 2 console compartment door cushions.

11. REMOVE CIGARETTE LIGHTER WIRE ASSEMBLY (w/ Power Outlet Socket)



(a) Disconnect the 2 connectors.

P

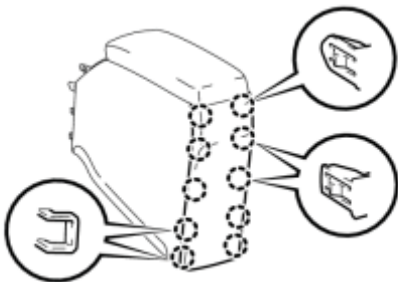
(b) Disengage the clamp and remove the cigarette lighter wire assembly.

12. REMOVE STEREO JACK ADAPTER ASSEMBLY (w/ Power Outlet Socket) INFO

13. REMOVE CENTER POWER OUTLET SOCKET ASSEMBLY (w/ Power Outlet Socket) INFO

14. REMOVE CENTER POWER OUTLET SOCKET COVER (w/ Power Outlet Socket) INFO

15. REMOVE CONSOLE REAR END PANEL (w/o Power Outlet Socket)

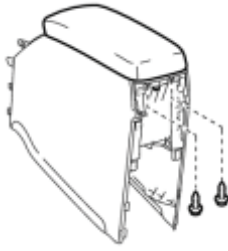


P

(a) Disengage the 10 claws to remove the console rear end panel.

16. REMOVE REAR CONSOLE COMPARTMENT DOOR SUB-ASSEMBLY (w/o Power Outlet Socket)

(a) Remove the 2 screws and remove the rear console compartment door sub-assembly.



P

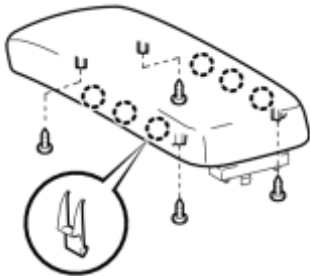
17. REMOVE CONSOLE COMPARTMENT DOOR HINGE SUB-ASSEMBLY (w/o Power Outlet Socket)



P

(a) Remove the 2 screws and the console compartment door hinge sub-assembly.

18. REMOVE OUTER CONSOLE COMPARTMENT DOOR (w/o Power Outlet Socket)

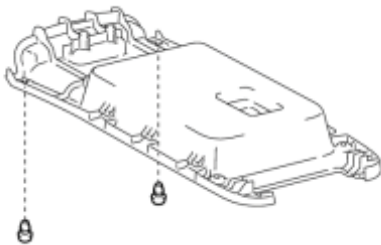


P

(a) Remove the 4 screws.

(b) Disengage the 6 claws and remove the outer console compartment door.

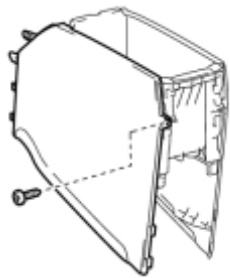
19. REMOVE CONSOLE COMPARTMENT DOOR CUSHION (w/o Power Outlet Socket)



P

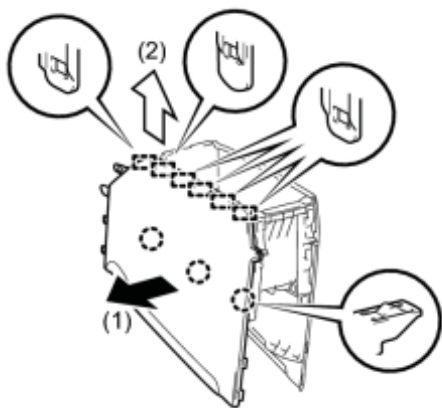
(a) Remove the 2 console compartment door cushions.

20. REMOVE NO. 2 BOX SIDE PANEL (w/o Power Outlet Socket)



(a) Remove the screw.

P



(b) Disengage the 3 claws and 6 guides and remove the No. 2 box side panel.

P

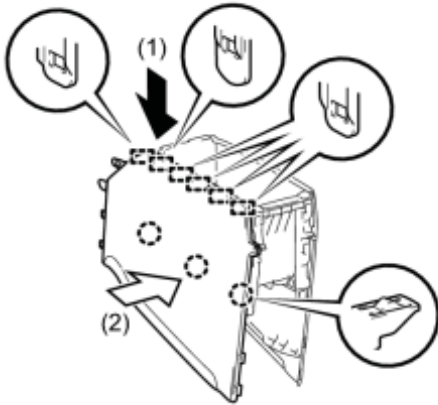
21. REMOVE NO. 1 BOX SIDE PANEL (w/o Power Outlet Socket)

HINT:

Use the same procedure for the RH side and LH side.

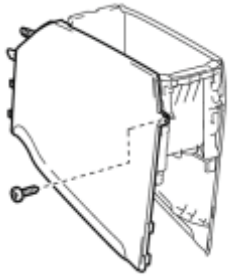
REASSEMBLY

1. INSTALL NO. 2 BOX SIDE PANEL (w/o Power Outlet Socket)



(a) Engage the 6 guides and 3 claws as shown in the illustration.

P



(b) Install the No. 2 box side panel with the screw.

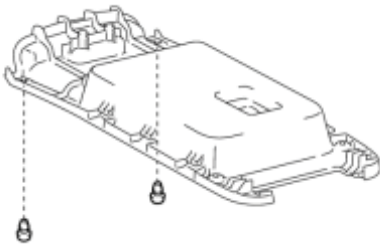
P

2. INSTALL NO. 1 BOX SIDE PANEL (w/o Power Outlet Socket)

HINT:

Use the same procedure for the RH side and LH side.

3. INSTALL CONSOLE COMPARTMENT DOOR CUSHION (w/o Power Outlet Socket)

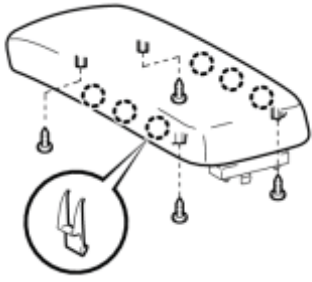


(a) Install the 2 console compartment door cushions.

P

4. INSTALL OUTER CONSOLE COMPARTMENT DOOR (w/o Power Outlet Socket)

(a) Engage the 6 claws.



P

(b) Install the outer console compartment door with the 4 screws.

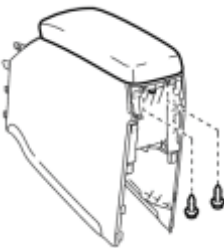
5. INSTALL CONSOLE COMPARTMENT DOOR HINGE SUB-ASSEMBLY (w/o Power Outlet Socket)



P

(a) Install the console compartment door hinge sub-assembly with the 2 screws.

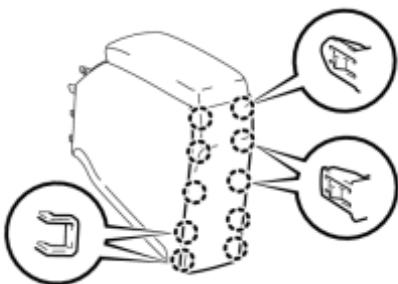
6. INSTALL REAR CONSOLE COMPARTMENT DOOR SUB-ASSEMBLY (w/o Power Outlet Socket)



P

(a) Install the rear console compartment door sub-assembly with the 2 screws.

7. INSTALL CONSOLE REAR END PANEL (w/o Power Outlet Socket)



P

(a) Engage the 10 claws to install the console rear end panel.

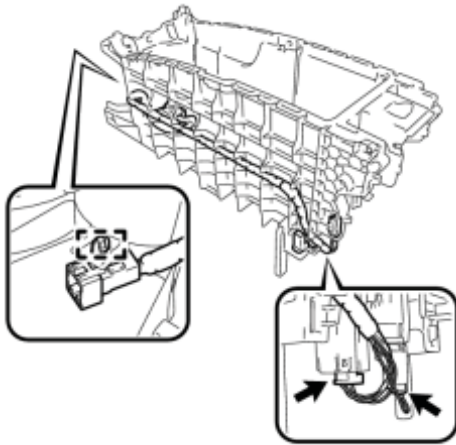
8. INSTALL CENTER POWER OUTLET SOCKET COVER (w/ Power Outlet Socket)



9. INSTALL CENTER POWER OUTLET SOCKET ASSEMBLY (w/ Power Outlet Socket) INFO

10. INSTALL STEREO JACK ADAPTER ASSEMBLY (w/ Power Outlet Socket) INFO

11. INSTALL CIGARETTE LIGHTER WIRE ASSEMBLY (w/ Power Outlet Socket)



(a) Engage the clamp.

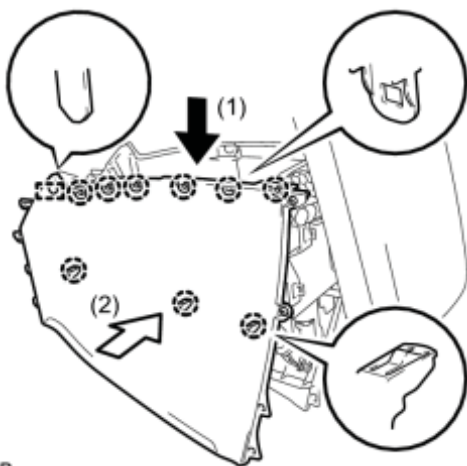
P

(b) Connect the 2 connectors to install the cigarette lighter wire assembly.

12. INSTALL CONSOLE COMPARTMENT DOOR CUSHION (w/ Power Outlet Socket)

(a) Install the 2 console compartment door cushions.

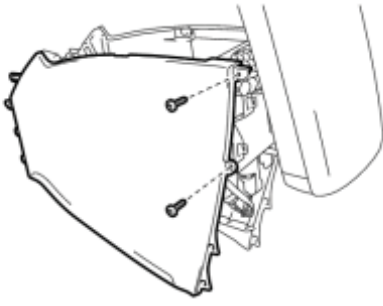
13. INSTALL NO. 2 BOX SIDE PANEL (w/ Power Outlet Socket)



(a) Engage the 9 claws and guide as shown in the illustration.

P

(b) Install the No. 2 box side panel with the 2 screws.



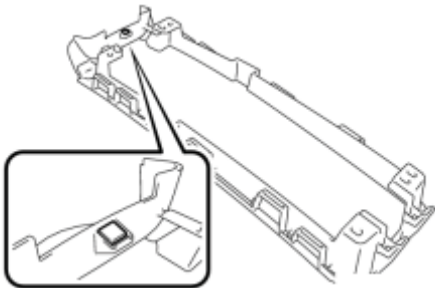
P

14. INSTALL NO. 1 BOX SIDE PANEL (w/ Power Outlet Socket)

HINT:

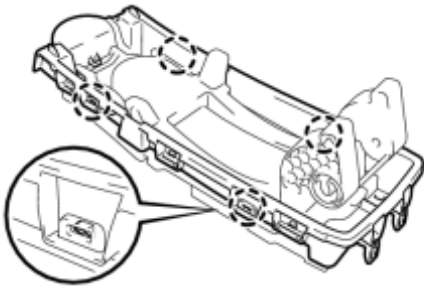
Use the same procedure for the RH side and LH side.

15. INSTALL CONSOLE COMPARTMENT DOOR CUSHION (w/ Power Outlet Socket)



P

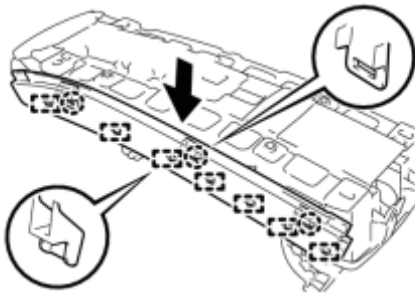
(a) Install a new console compartment door cushion.



P

(b) Engage the 4 claws to install the inner console compartment door.

16. INSTALL NO. 2 CONSOLE COMPARTMENT DOOR INSERT (w/ Power Outlet Socket)



P

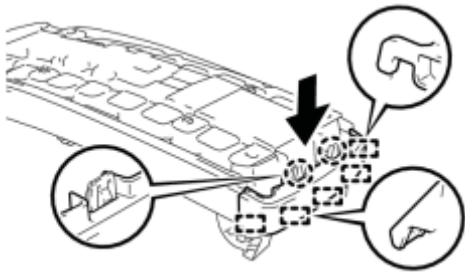
(a) Engage the 3 claws and 7 guides to install the No. 2 console compartment door insert as shown in the illustration.

17. INSTALL NO. 1 CONSOLE COMPARTMENT DOOR INSERT (w/ Power Outlet Socket)

HINT:

Use the same procedure for the RH side and LH side.

18. INSTALL REAR CONSOLE COMPARTMENT DOOR BOX COVER (w/ Power Outlet Socket)



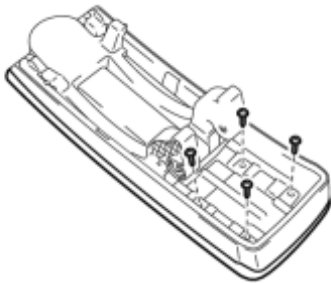
(a) Engage the 2 claws and 5 guides to install the rear console compartment door box cover as shown in the illustration.

P



(b) Temporarily install the outer console compartment door with the 4 screws.

P



(c) Install the outer console compartment door with the 4 screws.

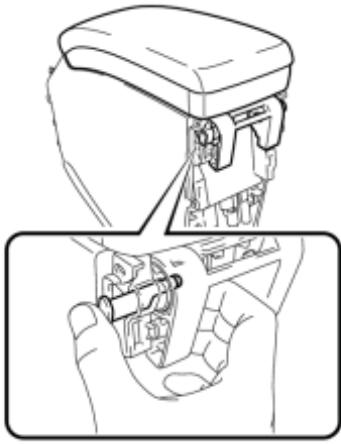
P

19. INSTALL CONSOLE COMPARTMENT DOOR SUB-ASSEMBLY (w/ Power Outlet Socket)

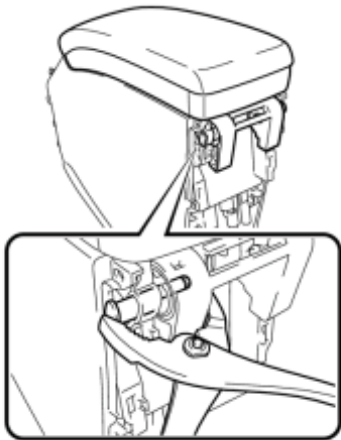
(a) Temporarily install the console compartment door sub-assembly.

(b) Push in the box door hinge shafts by hand as far as possible.

- The illustration is for the LH side.
- Use the same procedure for the RH side and LH side.



P

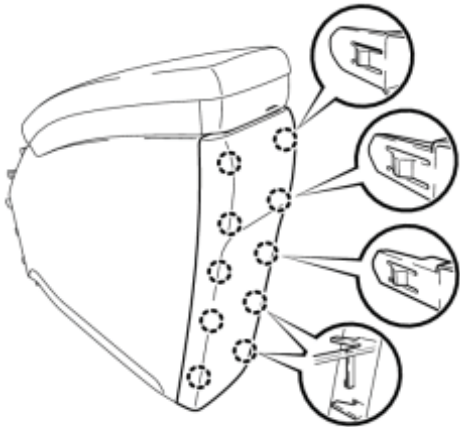


P

(c) Using pliers, push in the box door hinge shafts completely and install the console compartment door sub-assembly.

- The illustration is for the LH side.
- Use the same procedure for the RH side and LH side.

20. INSTALL CONSOLE REAR END PANEL (w/ Power Outlet Socket)



P

(a) Engage the 10 claws to install the console rear end panel.

21. INSTALL CONSOLE BOX POCKET (w/ Power Outlet Socket)

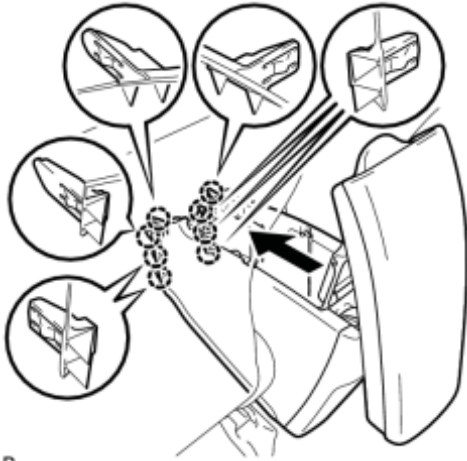
(a) Engage the 2 claws and install the console box pocket as shown in the illustration.



INSTALLATION

1. INSTALL REAR CONSOLE BOX ASSEMBLY (w/ Power Outlet Socket)

(a) Connect the connector.

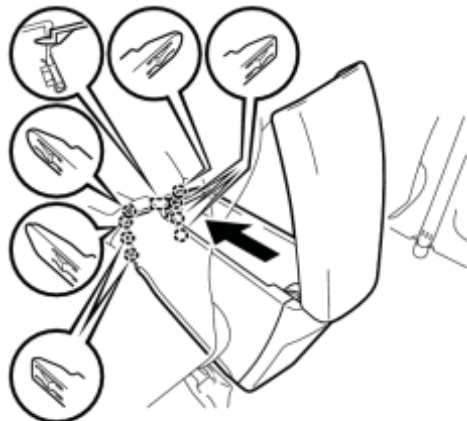


(b) Engage the 8 claws as shown in the illustration.

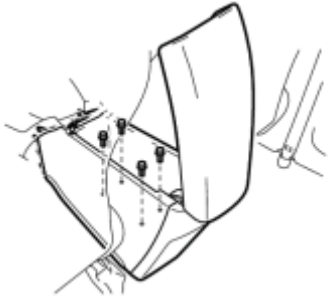


(c) Install the rear console box assembly with the 5 bolts.

2. INSTALL REAR CONSOLE BOX ASSEMBLY (w/o Power Outlet Socket)

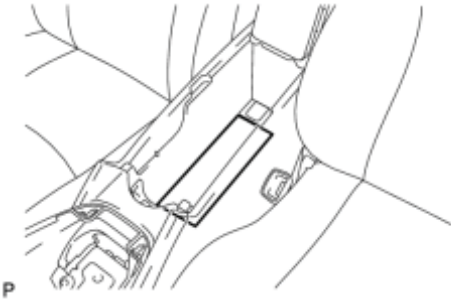


(a) Engage the 8 claws and guide as shown in the illustration.



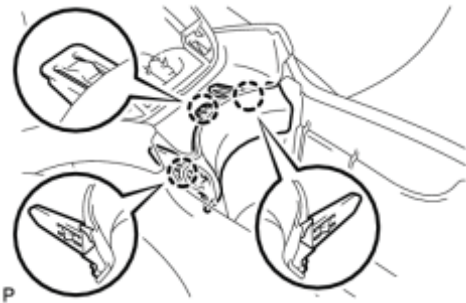
(b) Install the rear console box assembly with the 4 bolts.

3. INSTALL CONSOLE BOX CARPET



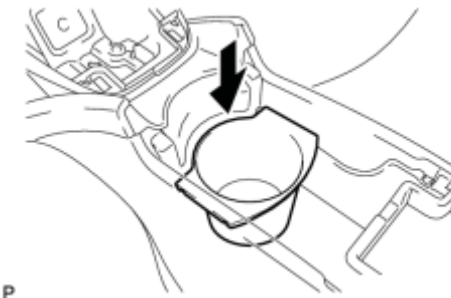
(a) Install the console box carpet.

4. INSTALL UPPER CONSOLE PANEL (w/ Power Outlet Socket)



(a) Engage the 3 claws to install the upper console panel.


5. INSTALL REAR CONSOLE BOX POCKET (w/ Power Outlet Socket)



(a) Install the rear console box pocket as shown in the illustration.

PRECAUTION

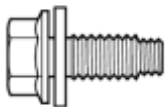
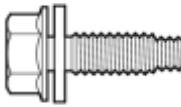
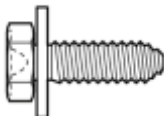
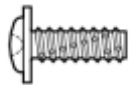
1. PRECAUTION FOR VEHICLE WITH SRS AIRBAG AND SEAT BELT PRETENSIONER

(a) Some operations in this section may affect the SRS airbags. Prior to performing the corresponding operations, read the precautions regarding the SRS airbags .

2. TABLE OF BOLT, SCREW AND NUT

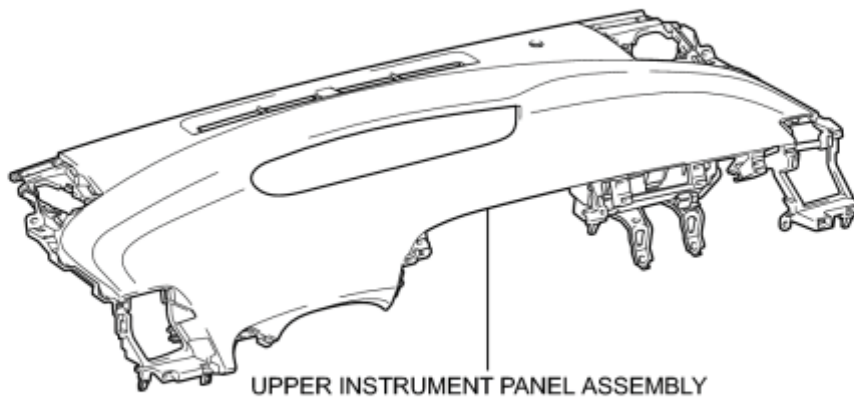
HINT:

All bolts, screws and nuts relevant to installing and removing the instrument panel are shown along with their alphabet codes in the table below.

Code	Shape	Size	Code	Shape	Size
<A>		φ=8 mm (0.314 in.) Length=21 mm (0.827 in.)			φ=6 mm (0.236 in.) Length=20 mm (0.787 in.)
<C>		φ=6 mm (0.236 in.) Length=20 mm (0.787 in.)	<D>		φ=5 mm (0.197 in.) Length=14 mm (0.551 in.)

COMPONENTS

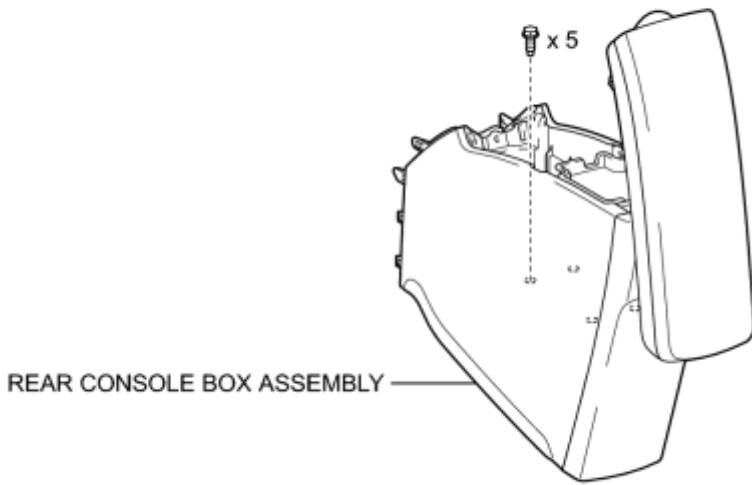
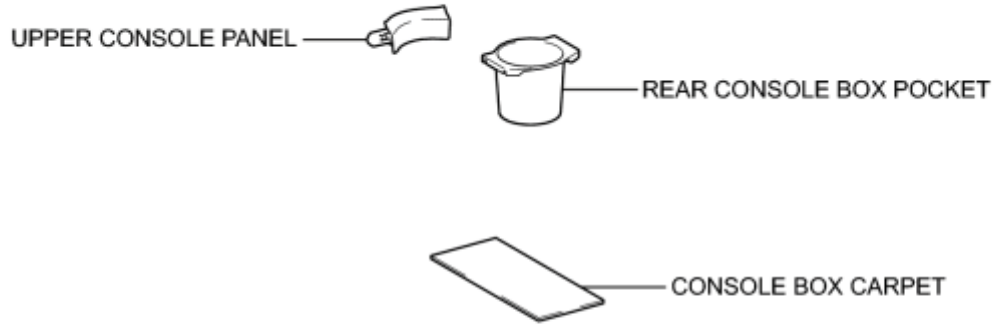
ILLUSTRATION



P

ILLUSTRATION

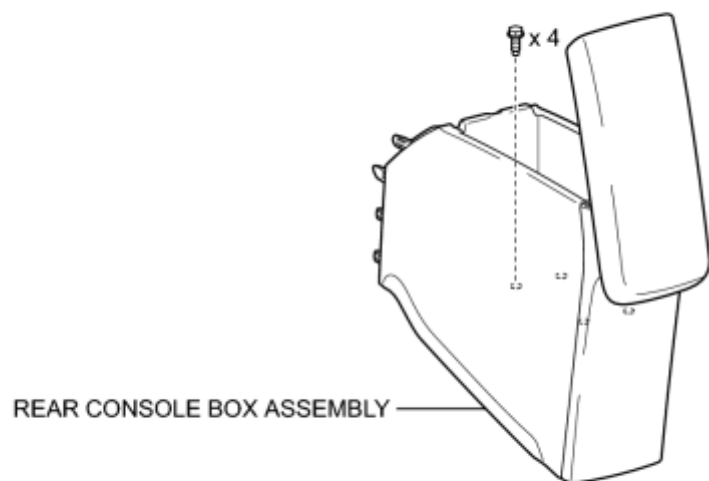
w/ Power Outlet Socket:



P

ILLUSTRATION

w/o Power Outlet Socket:



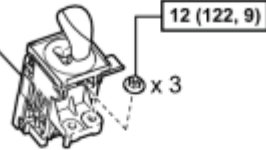
P

ILLUSTRATION

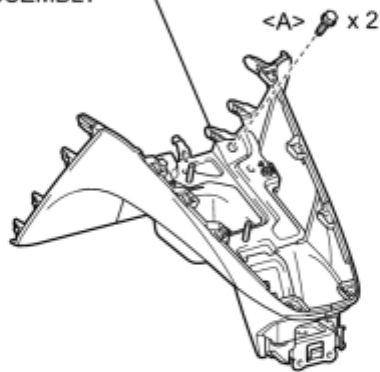
AIR CONDITIONING CONTROL ASSEMBLY



SHIFT LOCK CONTROL UNIT ASSEMBLY



UPPER INSTRUMENT PANEL FINISH PANEL ASSEMBLY



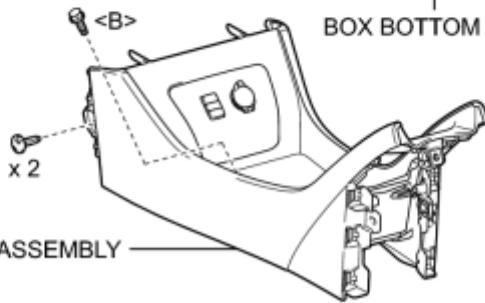
FRONT NO. 1 CONSOLE BOX INSERT



FRONT NO. 2 CONSOLE BOX INSERT

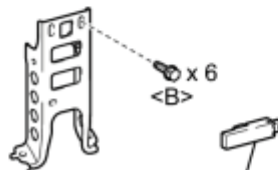


BOX BOTTOM MAT



CONSOLE BOX ASSEMBLY

NO. 2 CONSOLE BOX MOUNTING BRACKET



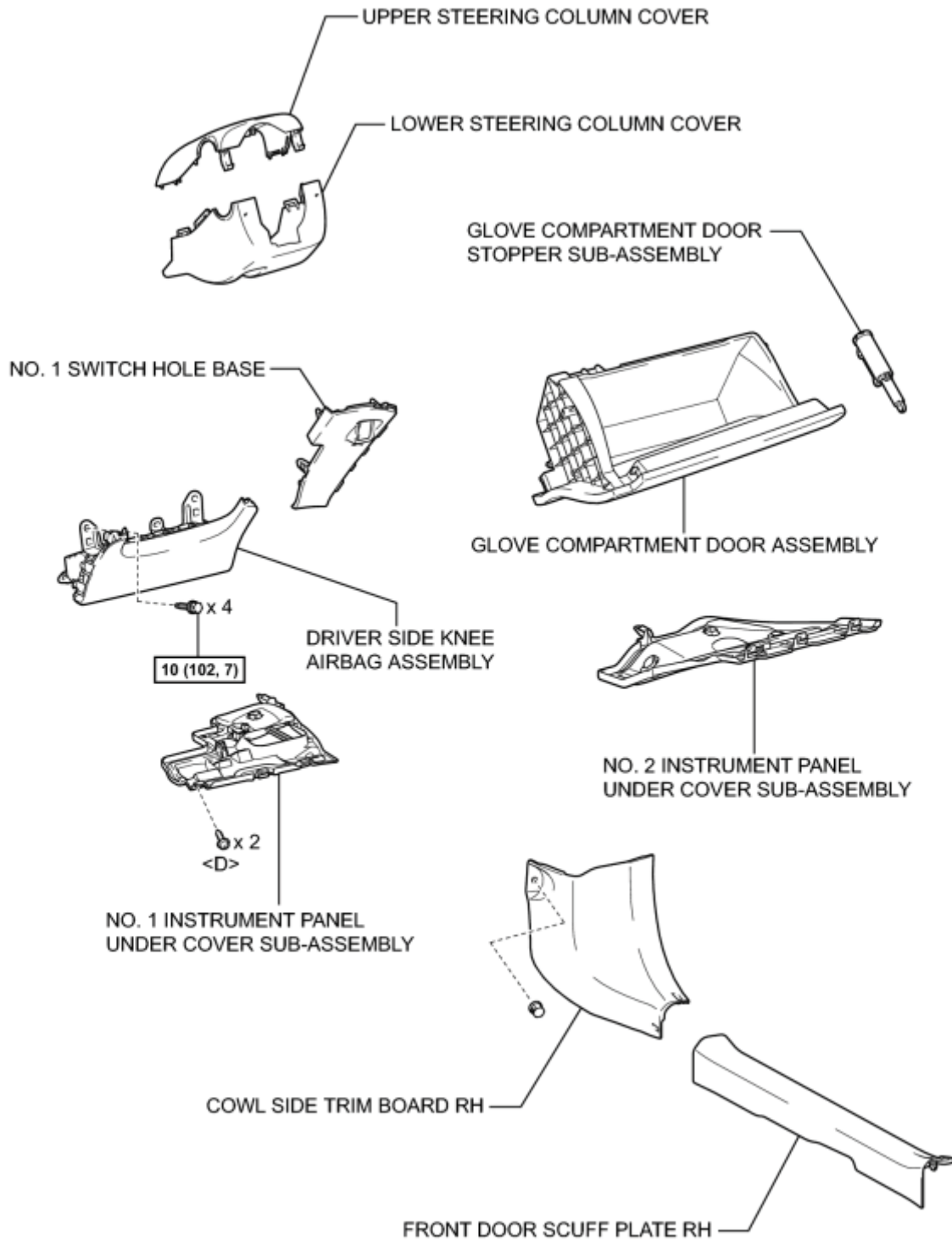
ELECTRICAL KEY OSCILLATOR



N·m (kgf·cm, ft.*lbf) : Specified torque

P

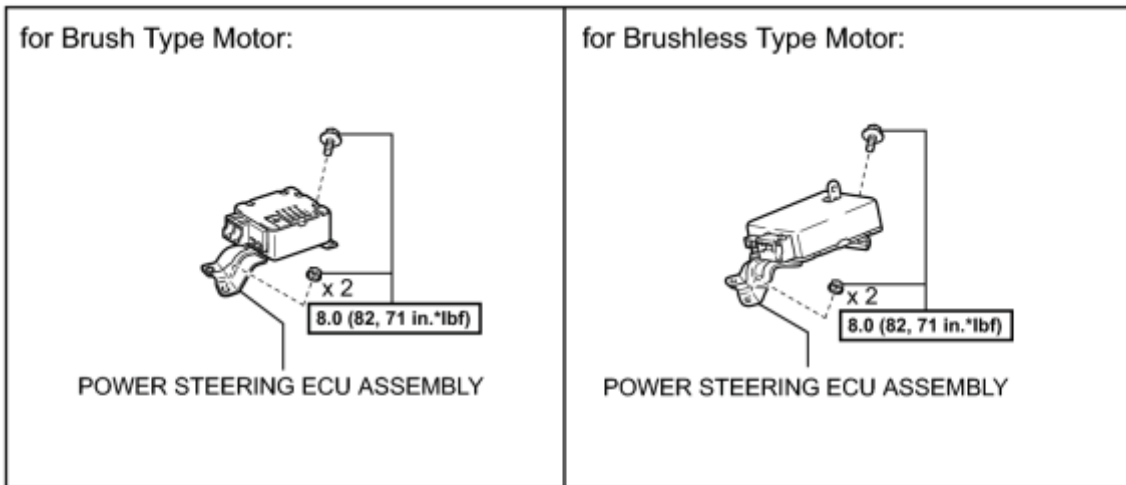
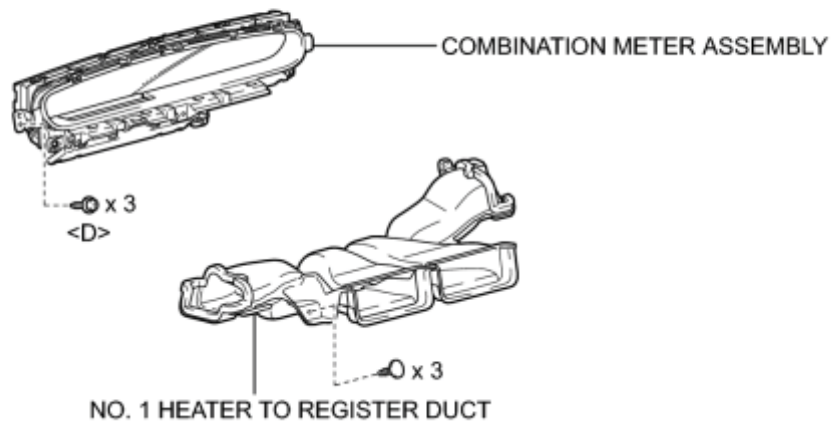
ILLUSTRATION



N*m (kgf*cm, ft.*lbf): Specified torque

P

ILLUSTRATION

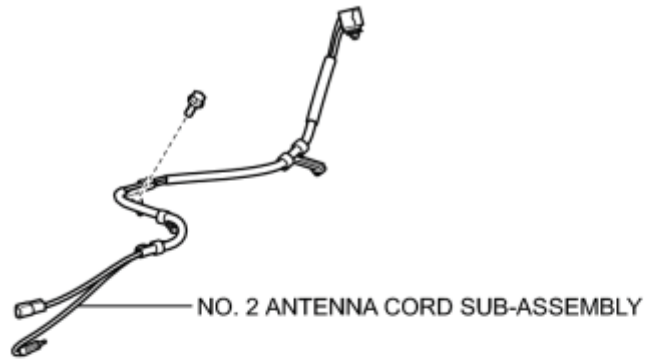


N*m (kgf*cm, ft.*lbf): Specified torque

P

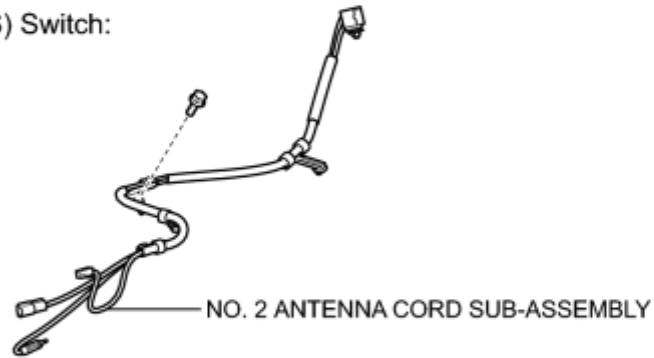
ILLUSTRATION

w/o Satellite Radio:

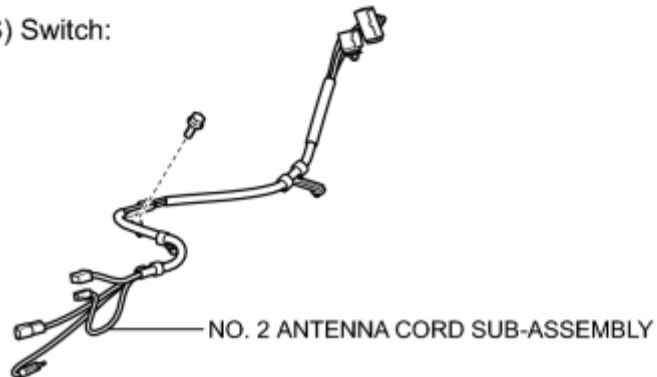


w/ Satellite Radio:

w/o Manual (SOS) Switch:

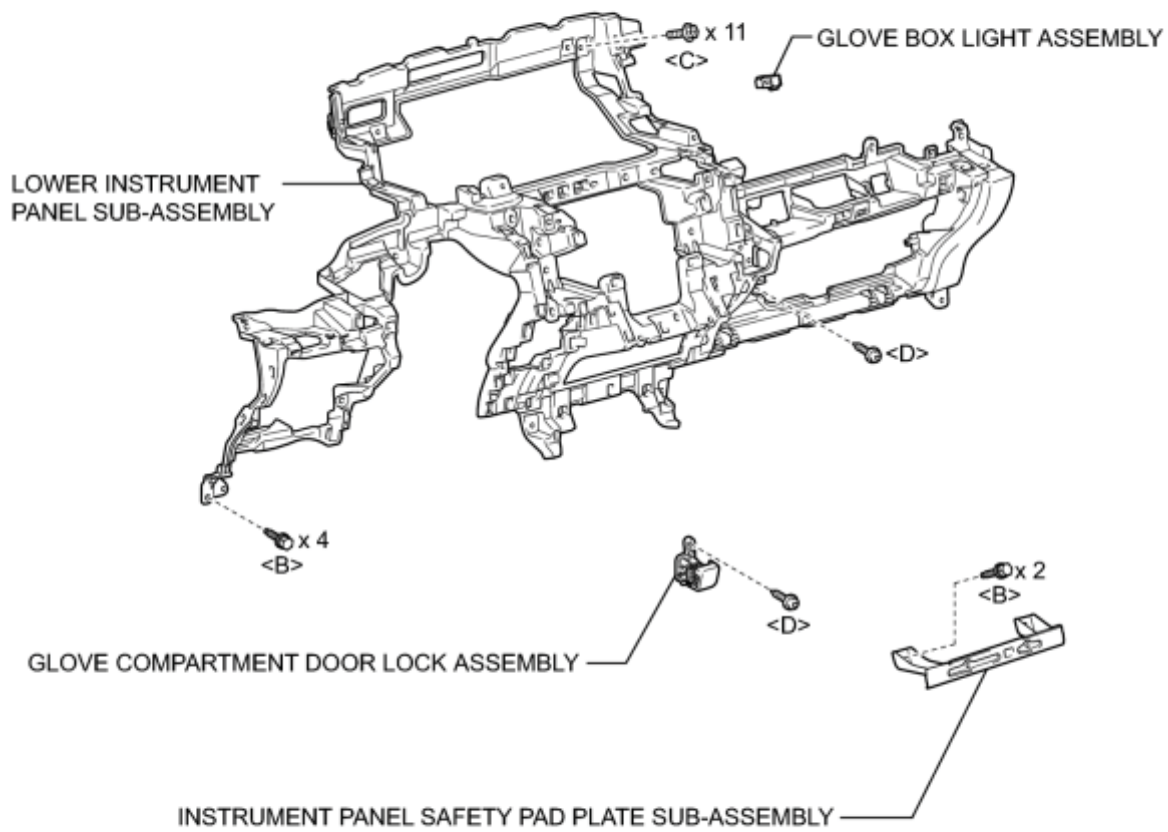


w/ Manual (SOS) Switch:



P

ILLUSTRATION



P

REMOVAL

1. PRECAUTION

INFO

2. REMOVE UPPER INSTRUMENT PANEL ASSEMBLY

(a) Remove the upper instrument panel assembly INFO.

3. REMOVE REAR CONSOLE BOX POCKET (w/ Power Outlet Socket) INFO

4. REMOVE UPPER CONSOLE PANEL (w/ Power Outlet Socket) INFO

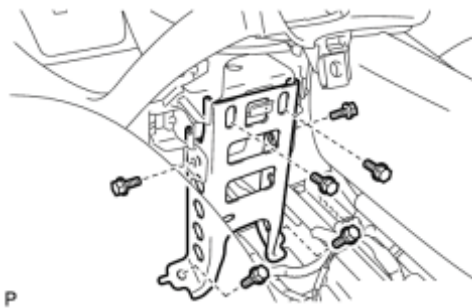
5. REMOVE CONSOLE BOX CARPET INFO

6. REMOVE REAR CONSOLE BOX ASSEMBLY (w/ Power Outlet Socket) INFO

7. REMOVE REAR CONSOLE BOX ASSEMBLY (w/o Power Outlet Socket) INFO

8. REMOVE ELECTRICAL KEY OSCILLATOR INFO

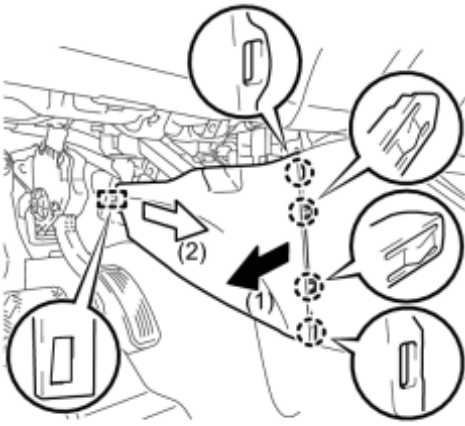
9. REMOVE NO. 2 CONSOLE BOX MOUNTING BRACKET



(a) Remove the 6 bolts and No. 2 console box mounting bracket.

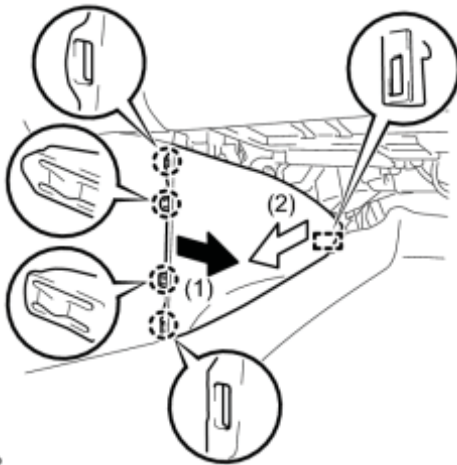
10. REMOVE FRONT NO. 1 CONSOLE BOX INSERT

(a) Pull the front No. 1 console box insert in the direction indicated by the arrow to disengage the 4 claws and guide, and remove the front No. 1 console box insert.



P

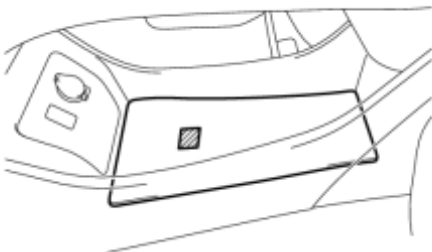
11. REMOVE FRONT NO. 2 CONSOLE BOX INSERT



P

(a) Pull the front No. 2 console box insert in the direction indicated by the arrow to disengage the 4 claws and guide, and remove the front No. 2 console box insert.

12. REMOVE BOX BOTTOM MAT

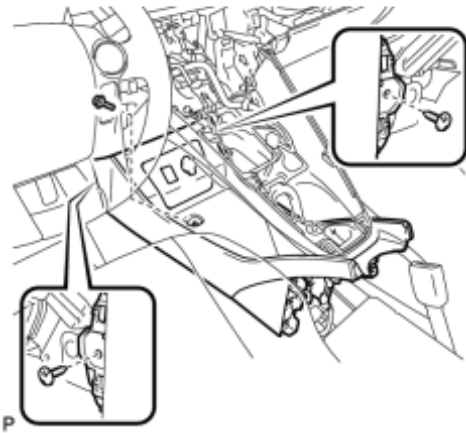


P

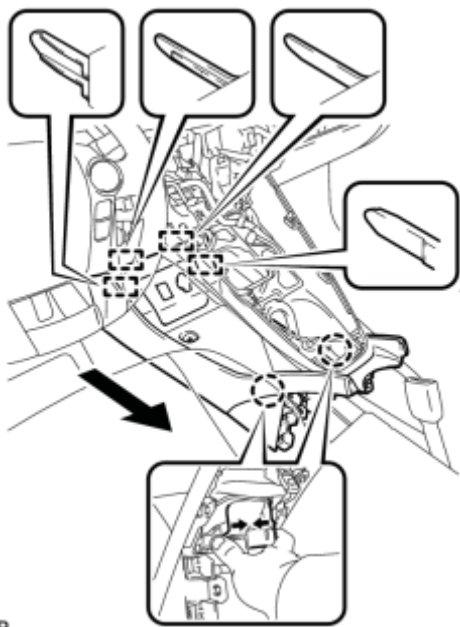
(a) Disengage the fastener and remove the box bottom mat.

13. SEPARATE CONSOLE BOX ASSEMBLY

(a) Remove the bolt and 2 clips.



P



P

(b) While pushing the parts shown in the illustration inward, pull the console box assembly in the direction indicated by the arrow to disengage the 2 claws and 4 guides.

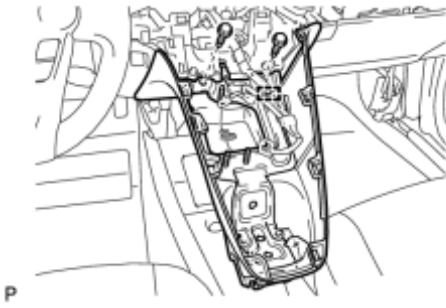
(c) Disconnect the connector and separate the console box assembly.

14. REMOVE AIR CONDITIONING CONTROL ASSEMBLY_ INFO

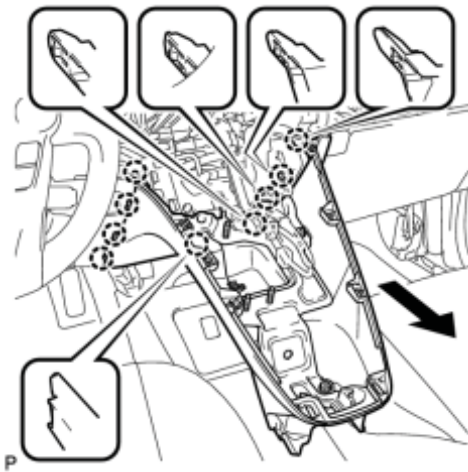
15. REMOVE SHIFT LOCK CONTROL UNIT ASSEMBLY_ INFO

16. REMOVE UPPER INSTRUMENT PANEL FINISH PANEL ASSEMBLY

(a) Disengage the clamp.

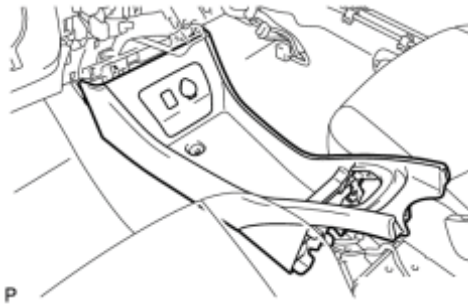


(b) Remove the 2 bolts <A>.



(c) Pull the upper instrument panel finish panel assembly in the direction indicated by the arrow to disengage the 9 claws and remove the upper instrument panel finish panel assembly.

17. REMOVE CONSOLE BOX ASSEMBLY



(a) Remove the console box assembly.

18. REMOVE NO. 1 SWITCH HOLE BASE

(a) Disengage the 5 claws.

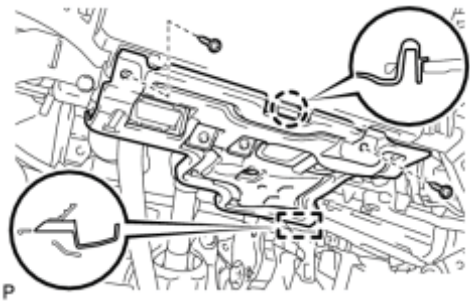


(b) Disconnect the connector to remove the No. 1 switch hole base.

19. REMOVE LOWER STEERING COLUMN COVER_ INFO

20. REMOVE UPPER STEERING COLUMN COVER_ INFO

21. REMOVE NO. 1 INSTRUMENT PANEL UNDER COVER SUB-ASSEMBLY



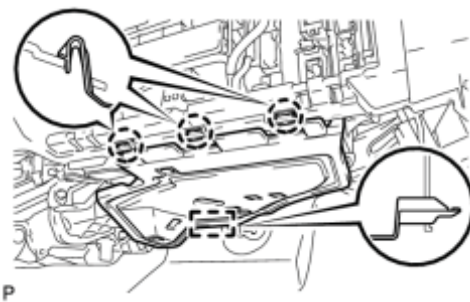
(a) Remove the 2 screws <D>.

(b) Disengage the claw and guide.

(c) Disconnect each connector and remove the No. 1 instrument panel under cover sub-assembly.

22. REMOVE DRIVER SIDE KNEE AIRBAG ASSEMBLY_ INFO

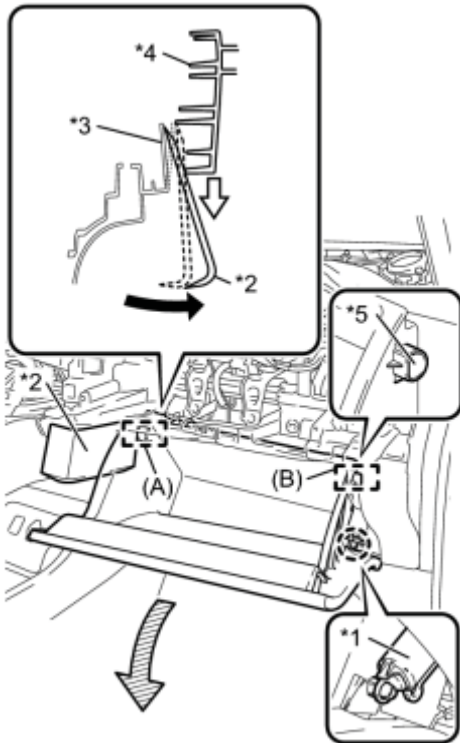
23. REMOVE NO. 2 INSTRUMENT PANEL UNDER COVER SUB-ASSEMBLY



(a) Disengage the 3 claws and guide.

(b) Disconnect each connector and remove the No. 2 instrument panel under cover sub-assembly.

24. REMOVE GLOVE COMPARTMENT DOOR ASSEMBLY



(a) Disengage the claw and release the glove compartment door stopper.

Text in Illustration

*1	Glove Compartment Door Stopper Sub-assembly
*2	Moulding Remover
*3	Lower Instrument Panel Sub-assembly
*4	Glove Compartment Door Assembly
*5	Stopper

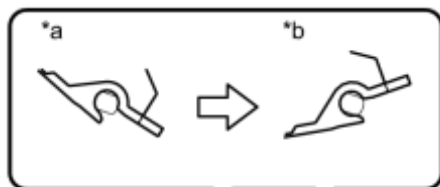
P

(b) Insert the moulding remover into the location shown in the illustration.

(c) Move the moulding remover in the direction indicated by the arrow to bend the lower instrument panel sub-assembly and release the stopper (A).

HINT:

Use the same procedure to release the stopper (B).



(d) Open the glove compartment door assembly to approximately 55° from its closed position. Pull it horizontally in the direction indicated by the arrow to disengage the 2 hinges and remove the glove compartment door assembly.

Text in Illustration

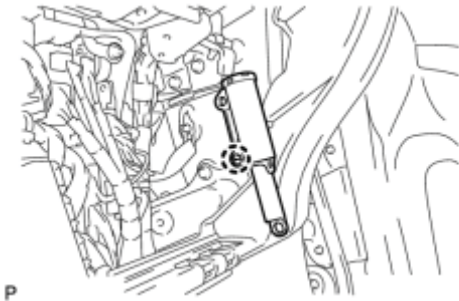
*a	Close
*b	Open Approximately

NOTICE:

Pulling the glove compartment door assembly upward to remove it causes

the hinges to deform. Be sure to pull out the glove compartment door assembly horizontally.

25. REMOVE GLOVE COMPARTMENT DOOR STOPPER SUB-ASSEMBLY



(a) Disengage the claw to remove the glove compartment door stopper sub-assembly.

26. REMOVE FRONT DOOR SCUFF PLATE RH

HINT:

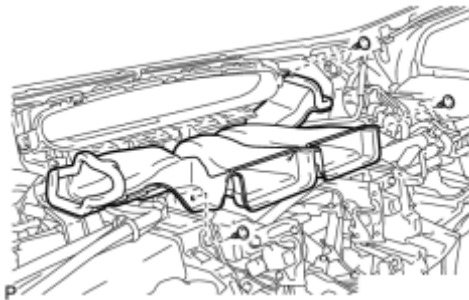
Use the same procedure for the RH side and LH side [INFO](#).

27. REMOVE COWL SIDE TRIM BOARD RH

HINT:

Use the same procedure for the RH side and LH side [INFO](#).

28. REMOVE NO. 1 HEATER TO REGISTER DUCT



(a) Remove the 3 clips and the No. 1 heater to register duct.

29. REMOVE COMBINATION METER ASSEMBLY [INFO](#)

30. REMOVE POWER STEERING ECU ASSEMBLY (for Brush Type Motor) [INFO](#)

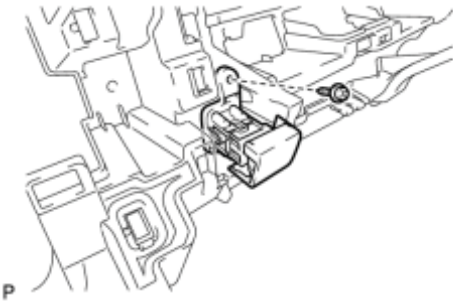
31. REMOVE POWER STEERING ECU ASSEMBLY (for Brushless Type Motor) [INFO](#)

32. REMOVE INSTRUMENT PANEL SAFETY PAD PLATE SUB-ASSEMBLY



(a) Remove the 2 bolts and instrument panel safety pad plate sub-assembly.

33. REMOVE GLOVE COMPARTMENT DOOR LOCK ASSEMBLY



(a) Remove the screw <D> and glove compartment door lock assembly.

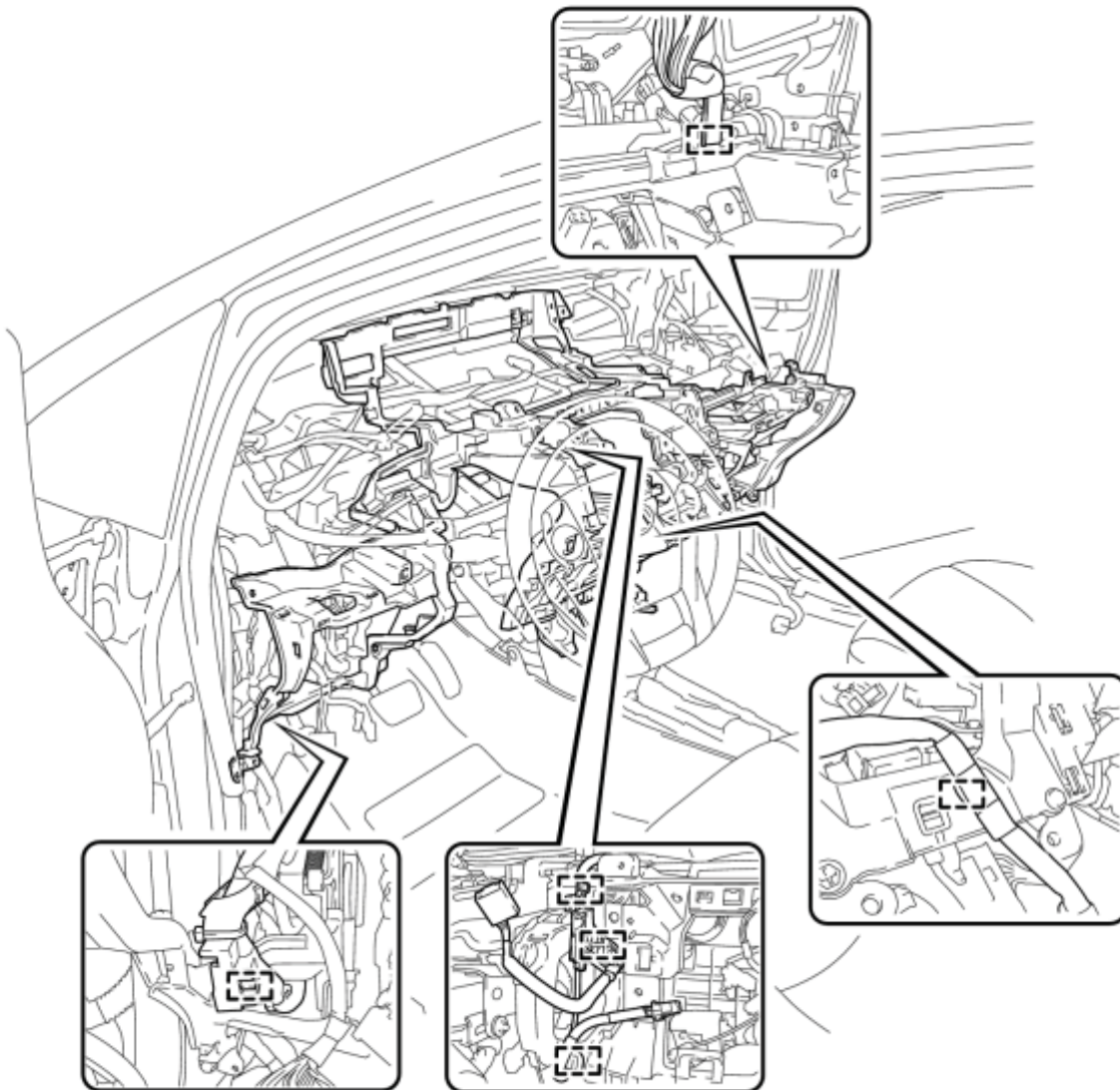
34. REMOVE GLOVE BOX LIGHT ASSEMBLY_ INFO

35. REMOVE NO. 2 ANTENNA CORD SUB-ASSEMBLY (w/o Satellite Radio)_ INFO

36. REMOVE NO. 2 ANTENNA CORD SUB-ASSEMBLY (w/ Satellite Radio)_ INFO

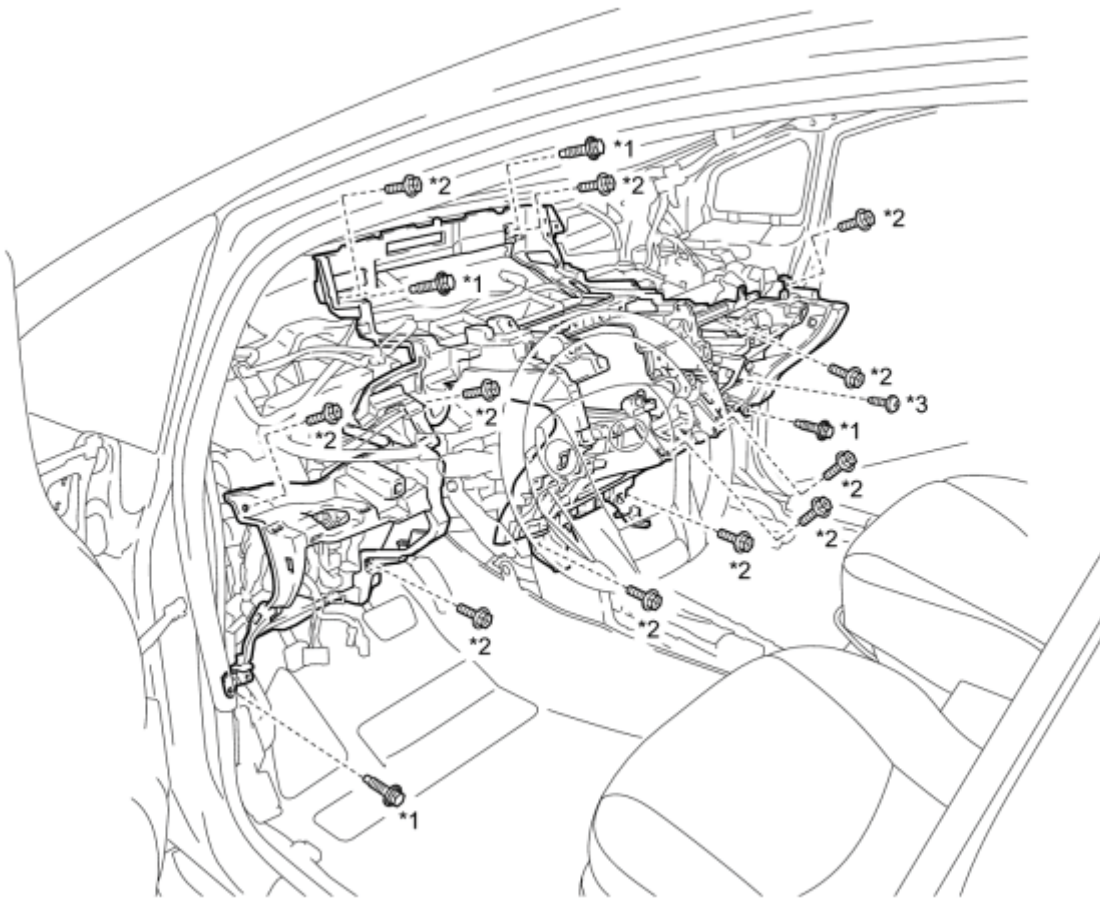
37. REMOVE LOWER INSTRUMENT PANEL SUB-ASSEMBLY

(a) Disengage each clamp.



P

(b) Remove the 4 bolts , 11 bolts <C>, screw <D> and lower instrument panel sub-assembly.



P

Text in Illustration

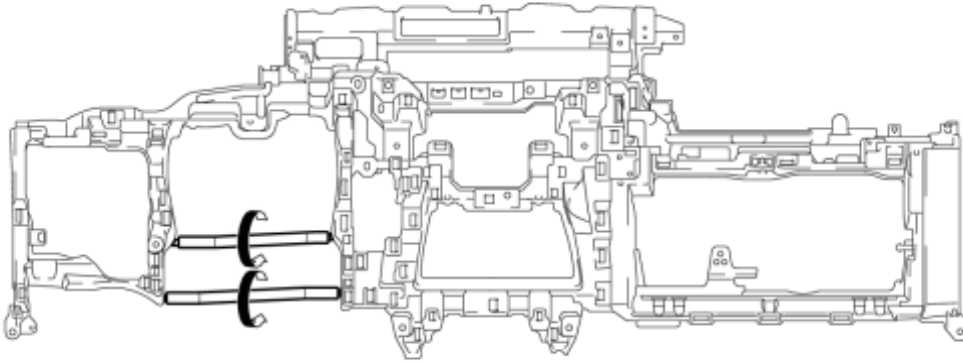
*1	Bolt 	*2	Bolt <C>
*3	Screw <D>	-	-

INSTALLATION

1. INSTALL LOWER INSTRUMENT PANEL SUB-ASSEMBLY

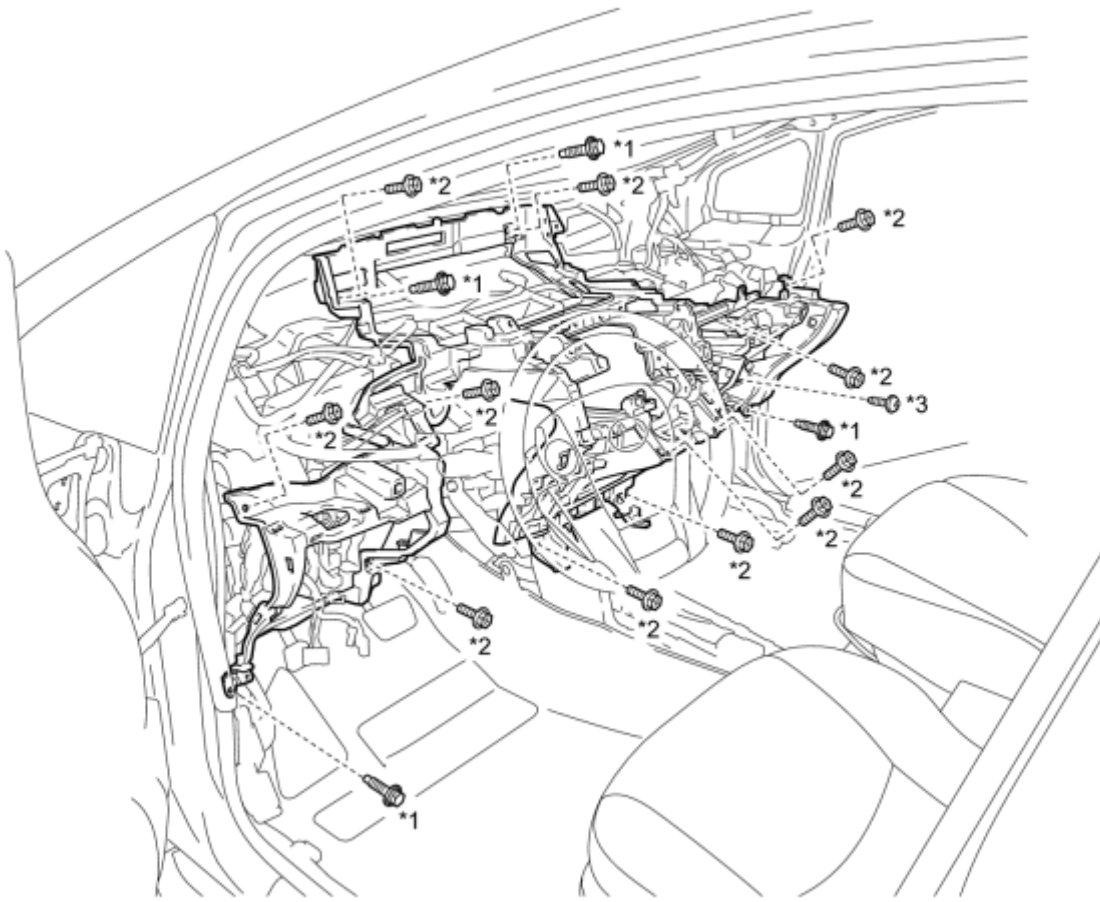
(a) When using a new lower instrument panel sub-assembly:

(1) Immediately before installing the lower instrument panel sub-assembly, twist and cut off the portions shown in the illustration.



P

(b) Install the lower instrument panel sub-assembly with the 4 bolts , 11 bolts <C> and screw <D>.

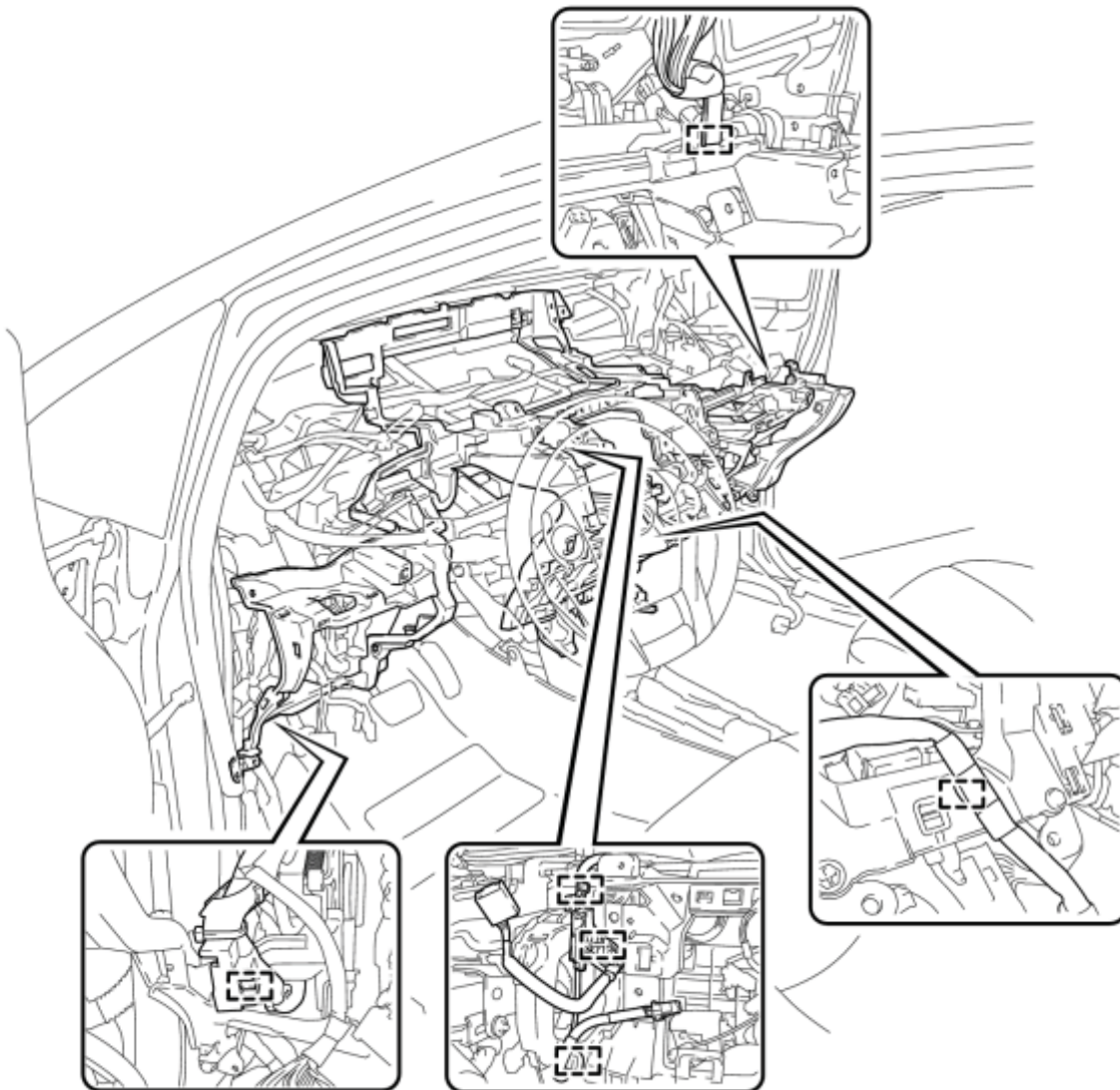


P

Text in Illustration

*1	Bolt 	*2	Bolt <C>
*3	Screw <D>	-	-

(c) Engage each clamp.



P

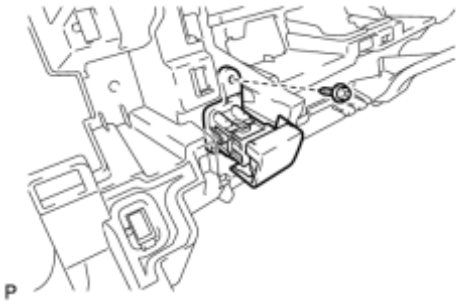
2. INSTALL NO. 2 ANTENNA CORD SUB-ASSEMBLY (w/o Satellite Radio) INFO

3. INSTALL NO. 2 ANTENNA CORD SUB-ASSEMBLY (w/ Satellite Radio) INFO

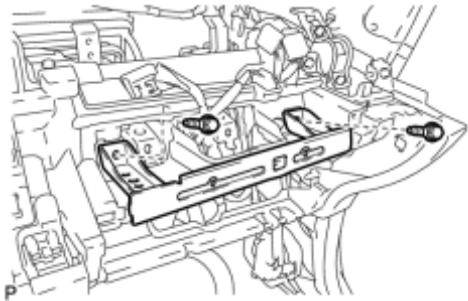
4. INSTALL GLOVE BOX LIGHT ASSEMBLY INFO

5. INSTALL GLOVE COMPARTMENT DOOR LOCK ASSEMBLY

(a) Install the glove compartment door lock assembly with the screw <D>.



6. INSTALL INSTRUMENT PANEL SAFETY PAD PLATE SUB-ASSEMBLY



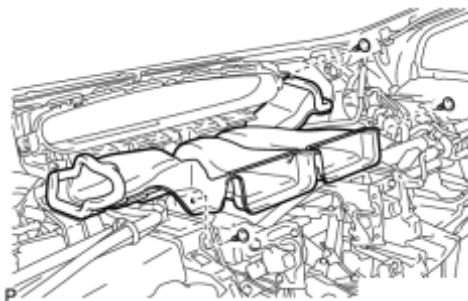
(a) Install the instrument panel safety pad plate sub-assembly with the 2 bolts .

7. INSTALL POWER STEERING ECU ASSEMBLY (for Brush Type Motor) INFO

8. INSTALL POWER STEERING ECU ASSEMBLY (for Brushless Type Motor) INFO

9. INSTALL COMBINATION METER ASSEMBLY INFO

10. INSTALL NO. 1 HEATER TO REGISTER DUCT



(a) Install the No. 1 heater to register duct with the 3 clips.

11. INSTALL COWL SIDE TRIM BOARD RH

HINT:

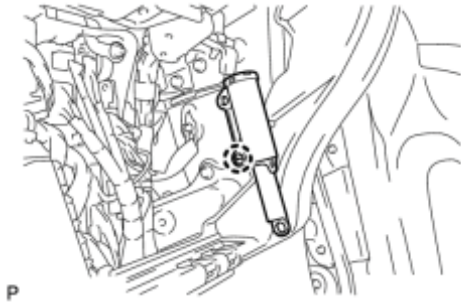
Use the same procedure for the RH side and LH side INFO.

12. INSTALL FRONT DOOR SCUFF PLATE RH

HINT:

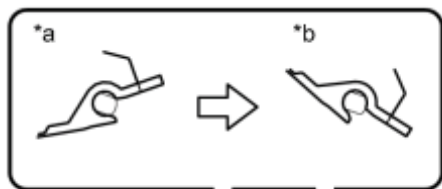
Use the same procedure for the RH side and LH side INFO.

13. INSTALL GLOVE COMPARTMENT DOOR STOPPER SUB-ASSEMBLY



(a) Engage the claw to install the glove compartment door stopper sub-assembly.

14. INSTALL GLOVE COMPARTMENT DOOR ASSEMBLY



(a) With the glove compartment door assembly opened approximately 55° from its closed position, engage the 2 hinges horizontally.

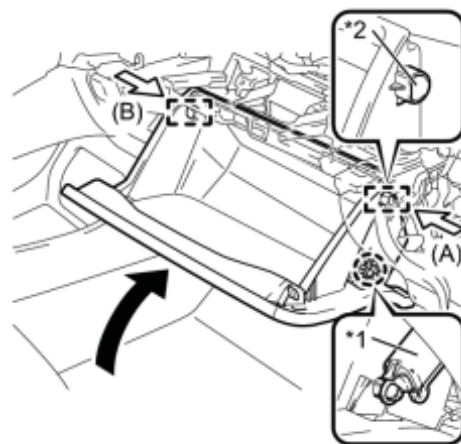
Text in Illustration

*a	Opened Approximately 55°
*b	Closed



NOTICE:

Engaging the hinges from the top will deform the hinges. Be sure to install the glove compartment door assembly horizontally.



(b) Slightly bend the stoppers (A) and (B) in the directions indicated by the arrows in the illustration and engage the stoppers to install the glove compartment door assembly.

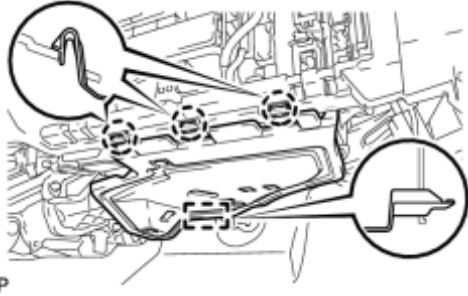
Text in Illustration

*1	Glove Compartment Door Stopper Sub-assembly
*2	Stopper

(c) Engage the claw and connect the glove compartment door stopper sub-assembly.

15. INSTALL NO. 2 INSTRUMENT PANEL UNDER COVER SUB-ASSEMBLY

(a) Connect each connector.

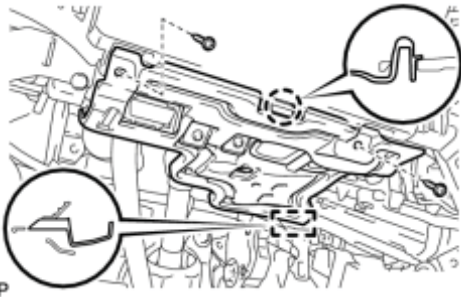


(b) Engage the guide and 3 claws to install the No. 2 instrument panel under cover sub-assembly.

16. INSTALL DRIVER SIDE KNEE AIRBAG ASSEMBLY_ INFO

17. INSTALL NO. 1 INSTRUMENT PANEL UNDER COVER SUB-ASSEMBLY

(a) Connect each connector.



(b) Engage the guide and claw.

(c) Install the No. 1 instrument panel under cover sub-assembly with the 2 screws <D>.

18. INSTALL UPPER STEERING COLUMN COVER_ INFO

19. INSTALL LOWER STEERING COLUMN COVER_ INFO

20. INSTALL NO. 1 SWITCH HOLE BASE

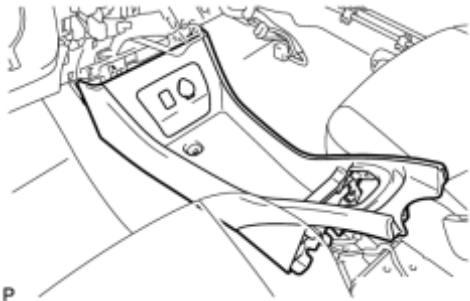
(a) Connect the connector.

(b) Engage the 5 claws to install the No. 1 switch hole base.



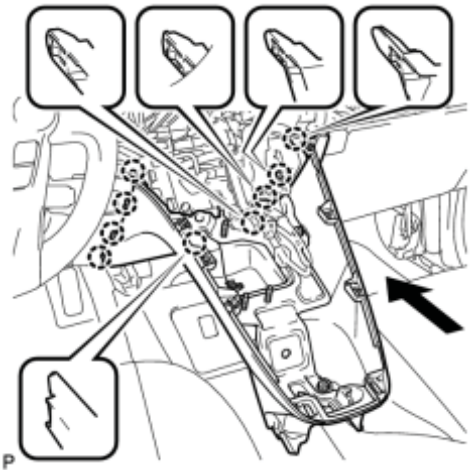
P

21. INSTALL UPPER INSTRUMENT PANEL FINISH PANEL ASSEMBLY



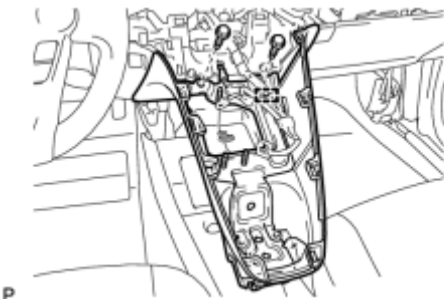
P

(a) Temporarily install the console box assembly.



P

(b) Engage the 9 claws as shown in the illustration.



P

(c) Install the upper instrument panel finish panel assembly with the 2 bolts <A>.

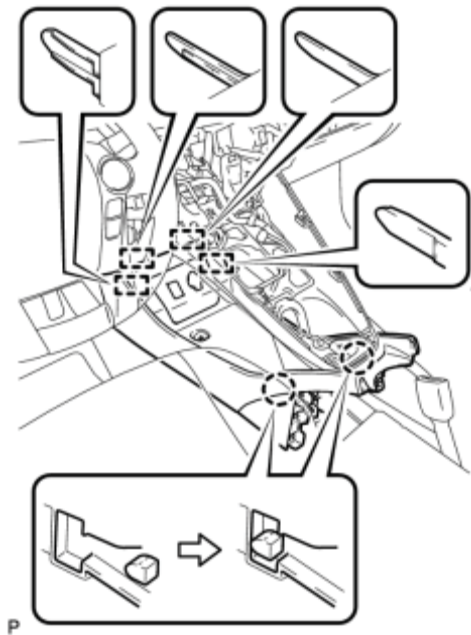
(d) Engage the clamp.

22. INSTALL SHIFT LOCK CONTROL UNIT ASSEMBLY_ INFO

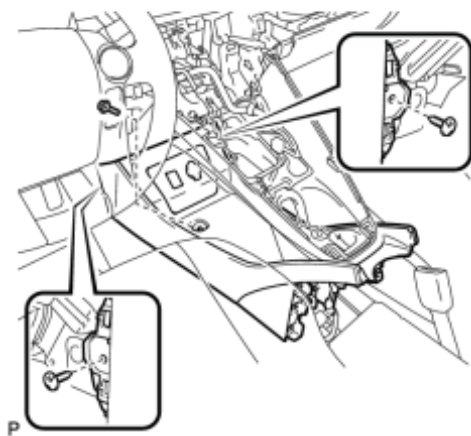
23. INSTALL AIR CONDITIONING CONTROL ASSEMBLY_ INFO

24. INSTALL CONSOLE BOX ASSEMBLY

(a) Connect the connector.



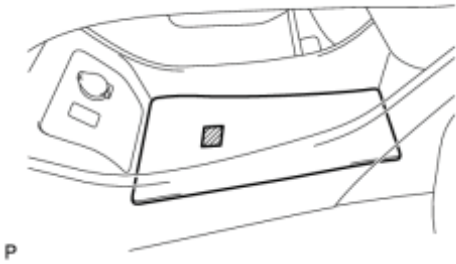
(b) Engage the 4 guides and 2 claws as shown in the illustration.



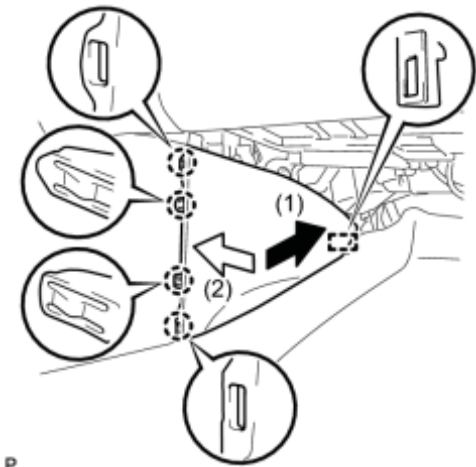
(c) Install the console box assembly with the bolt and 2 clips.

25. INSTALL BOX BOTTOM MAT

(a) Engage the fastener to install the box bottom mat.

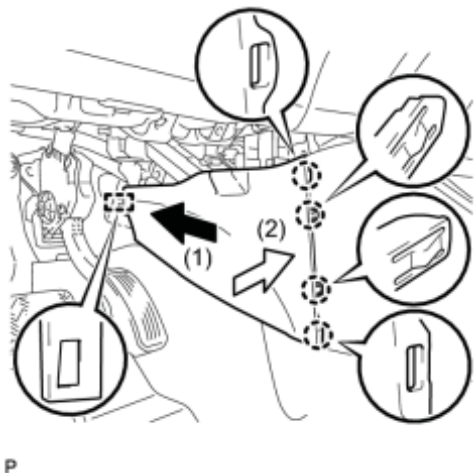


26. INSTALL FRONT NO. 2 CONSOLE BOX INSERT



(a) Engage the guide and 4 claws to install the front No. 2 console box insert as shown in the illustration.

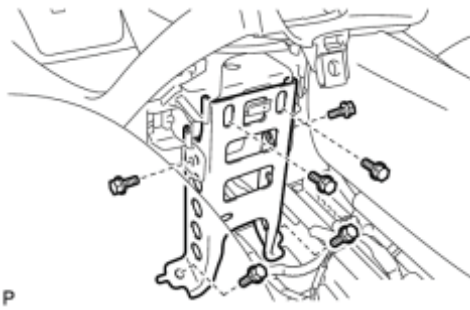
27. INSTALL FRONT NO. 1 CONSOLE BOX INSERT



(a) Engage the guide and 4 claws to install the front No. 1 console box insert as shown in the illustration.

28. INSTALL NO. 2 CONSOLE BOX MOUNTING BRACKET

(a) Install the No. 2 console box mounting bracket with the 6 bolts .



29. INSTALL ELECTRICAL KEY OSCILLATOR_ [INFO](#)

30. INSTALL REAR CONSOLE BOX ASSEMBLY (w/ Power Outlet Socket)_ [INFO](#)

31. INSTALL REAR CONSOLE BOX ASSEMBLY (w/o Power Outlet Socket)_ [INFO](#)

32. INSTALL CONSOLE BOX CARPET_ [INFO](#)

33. INSTALL UPPER CONSOLE PANEL (w/ Power Outlet Socket)_ [INFO](#)

34. INSTALL REAR CONSOLE BOX POCKET (w/ Power Outlet Socket)_ [INFO](#)

35. INSTALL UPPER INSTRUMENT PANEL ASSEMBLY

(a) Install the upper instrument panel assembly_ [INFO](#).

36. INSPECT SHIFT LEVER_ [INFO](#)