

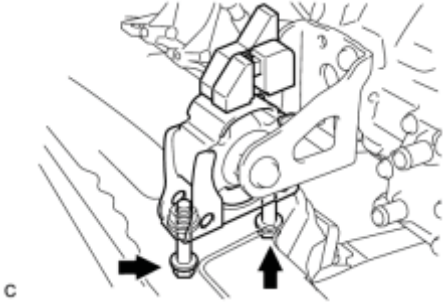
Torque: **96 N·m (979 kgf·cm, 71ft·lbf)**



c

(f) Install the front engine mounting insulator to the front crossmember with the 2 bolts.

Torque: **95 N·m (969 kgf·cm, 70ft·lbf)**



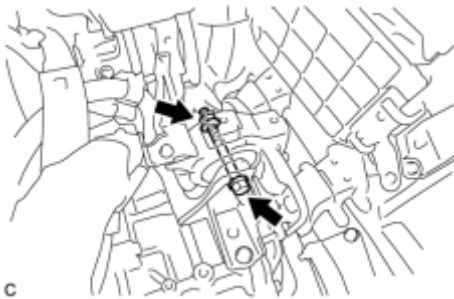
c

(g) Install the engine mounting insulator LH with the through bolt and nut.

Torque: **56 N·m (571 kgf·cm, 41ft·lbf)**

NOTICE:

When installing the engine mounting insulator, tighten the nut while holding the bolt.



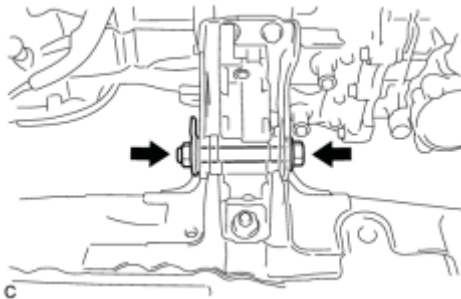
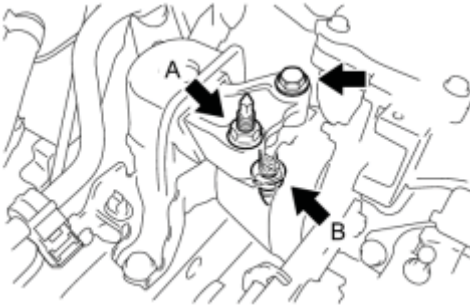
c

(h) Install the engine mounting insulator RH with the bolt and 2 nuts.

Nut A - Torque: **95 N·m (969 kgf·cm, 70ft·lbf)**

Nut B - Torque: **52 N·m (530 kgf·cm, 38ft·lbf)**

Bolt - Torque: **95 N·m (969 kgf·cm, 70ft·lbf)**



c

(i) Tighten the front engine mounting insulator with the bolt and nut.

Torque: **145 N·m (1479 kgf·cm, 107ft·lbf)**

13. INSTALL FRONT SUSPENSION CROSSMEMBER SUB-ASSEMBLY INFC

14. INSTALL FRONT SUSPENSION MEMBER REAR BRACE LH INFC