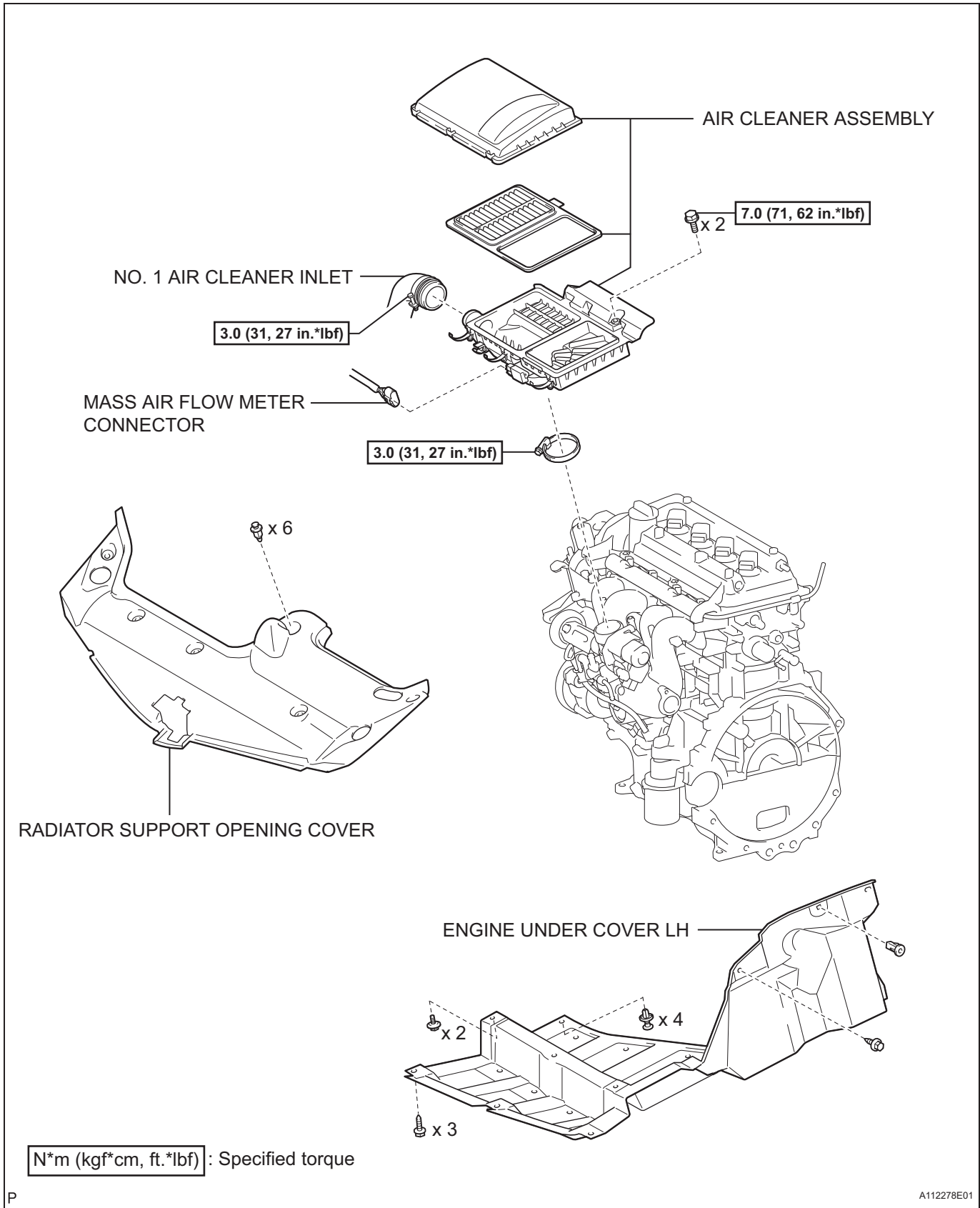
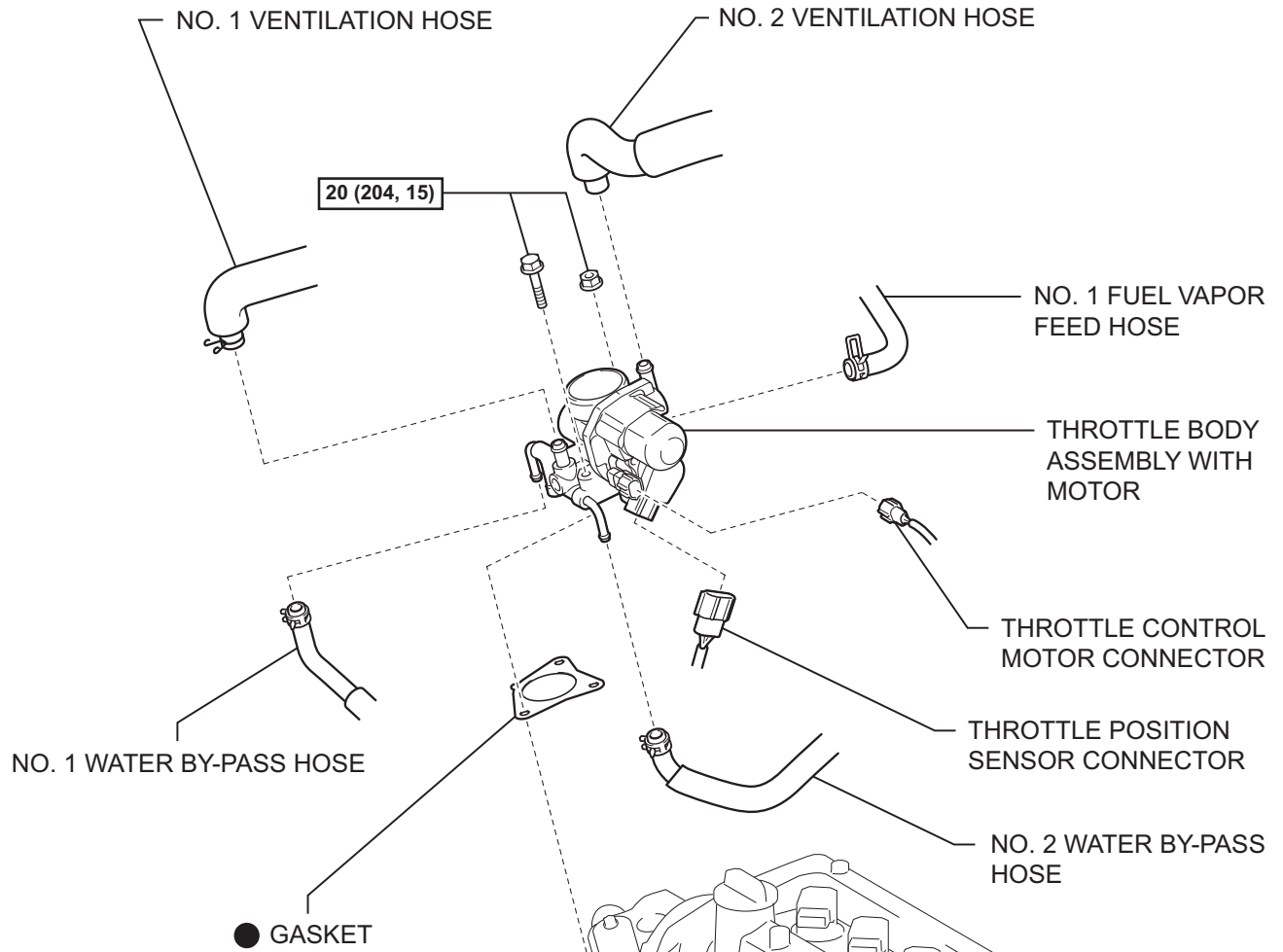


THROTTLE BODY

COMPONENTS

ES





N*m (kgf*cm, ft.*lbf) : Specified torque

● Non-reusable part

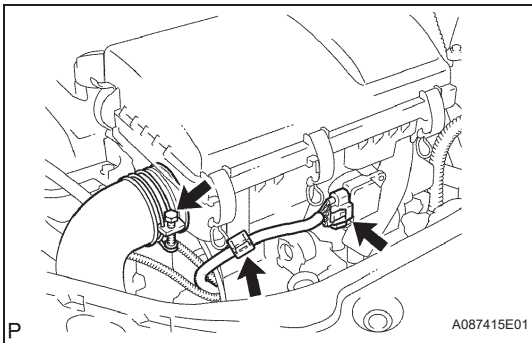
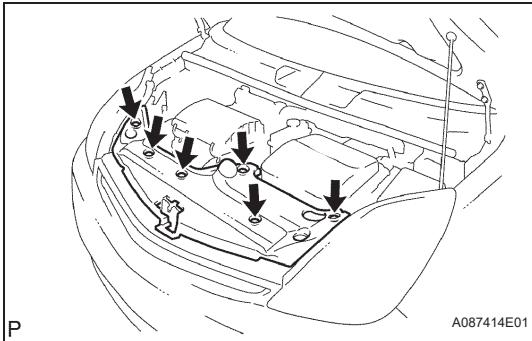
REMOVAL

1. DISCONNECT CABLE FROM NEGATIVE BATTERY TERMINAL

CAUTION:

Wait at least 90 seconds after disconnecting the cable from the negative (-) battery terminal to prevent airbag and seat belt pretensioner activation.

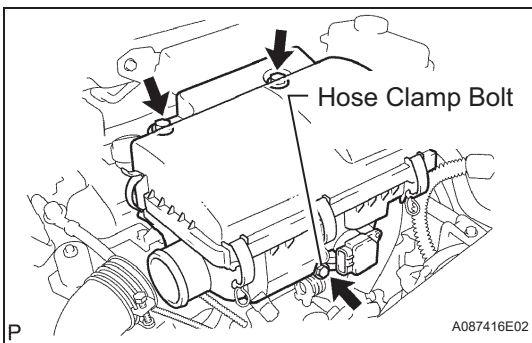
2. REMOVE ENGINE UNDER COVER LH
3. DRAIN ENGINE COOLANT (See page [CO-6](#))
4. REMOVE RADIATOR SUPPORT OPENING COVER
 - (a) Remove the 6 clips and radiator support opening cover.



5. REMOVE AIR CLEANER ASSEMBLY

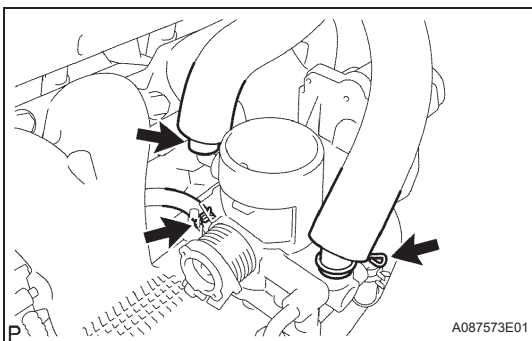
- (a) Disconnect the MAF meter connector.
- (b) Disconnect the wire harness from the wire harness clamp.
- (c) Loosen the hose clamp bolt, and then disconnect the No. 1 air cleaner inlet.

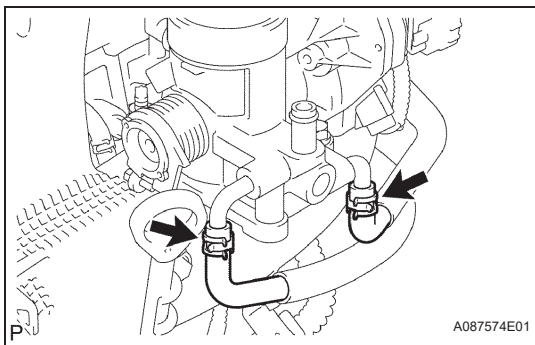
- (d) Remove the 2 bolts.
- (e) Loosen the hose clamp bolt, and then remove the air cleaner.



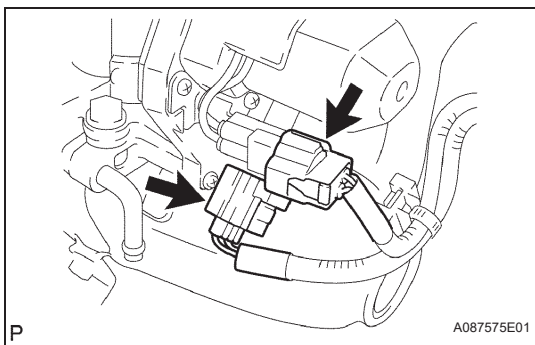
6. REMOVE THROTTLE BODY ASSEMBLY WITH MOTOR

- (a) Disconnect the ventilation hose.
- (b) Disconnect the No. 2 ventilation hose.
- (c) Disconnect the No. 1 fuel vapor feed hose.

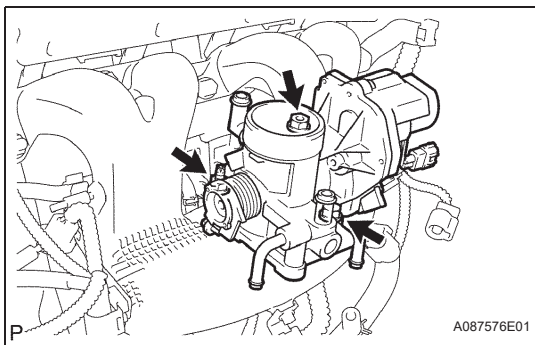




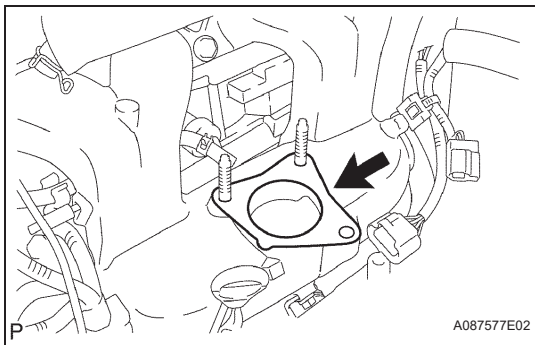
- (d) Disconnect the water by-pass hose.
- (e) Disconnect the No. 2 water by-pass hose.



- (f) Disconnect the throttle control motor connector.
- (g) Disconnect the throttle position sensor connector.



- (h) Remove the bolt, 2 nuts and throttle with motor body.



- (i) Remove the gasket from the intake manifold.

INSPECTION

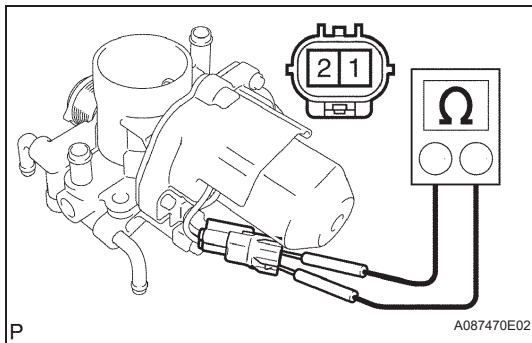
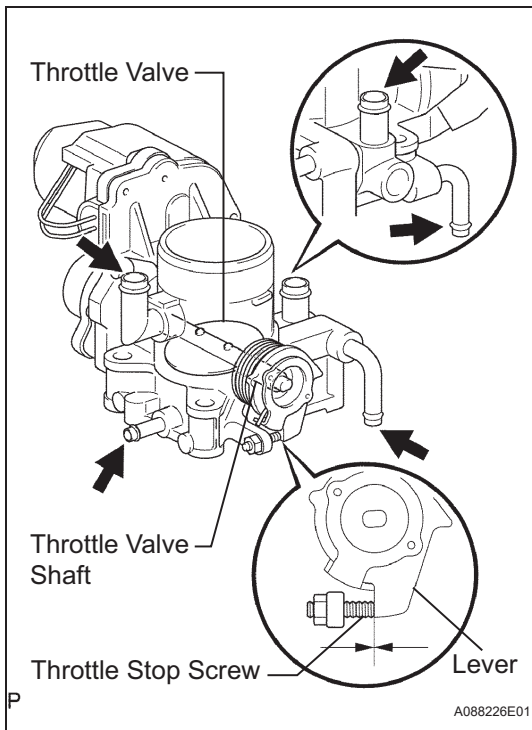
1. INSPECT THROTTLE WITH MOTOR BODY ASSEMBLY

(a) Check the appearance.

- (1) Check that the throttle valve shaft does not rattle.
- (2) Check that each port is not clogged.
- (3) Check that the throttle valve opens and closes smoothly.
- (4) Check that there is no clearance between the throttle stop screw and lever when the throttle valve is fully closed.

NOTICE:

Do not adjust the throttle stop screw.



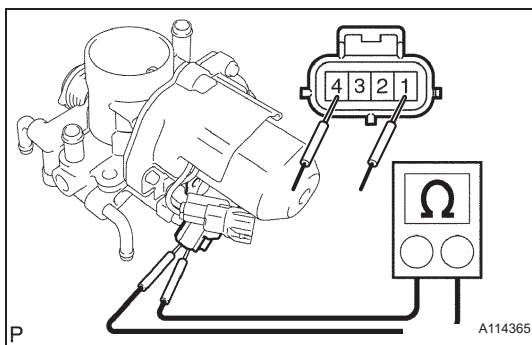
(b) Inspect the resistance of the throttle control motor.

- (1) Using an ohmmeter, measure the resistance between the terminals.

Standard resistance:

50 M Ω or more at 25°C (77°F)

If the resistance is not as specified, replace the throttle with motor body.



(c) Inspect the resistance of the throttle position sensor.

- (1) Using an ohmmeter, measure the resistance between terminals 1 and 4.

Standard resistance:

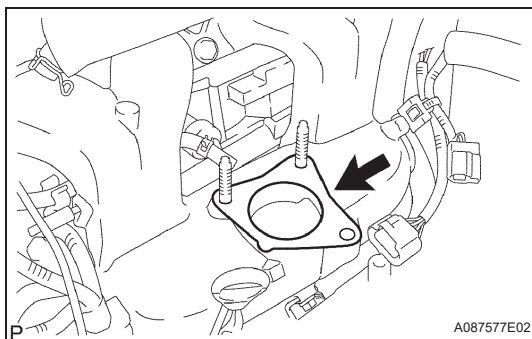
1.2 to 3.5 k Ω at 25°C (77°F)

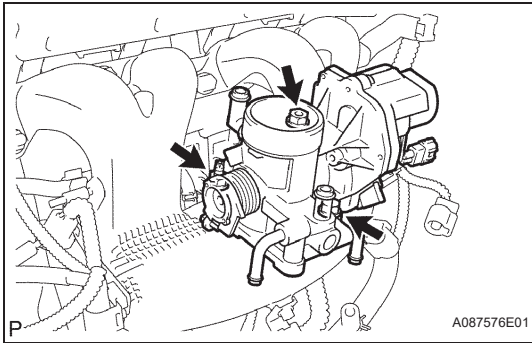
If the resistance is not as specified, replace the throttle with motor body.

INSTALLATION

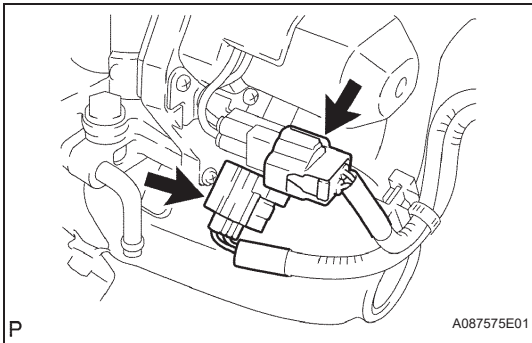
1. INSTALL THROTTLE BODY ASSEMBLY WITH MOTOR

(a) Install a new gasket to the intake manifold.

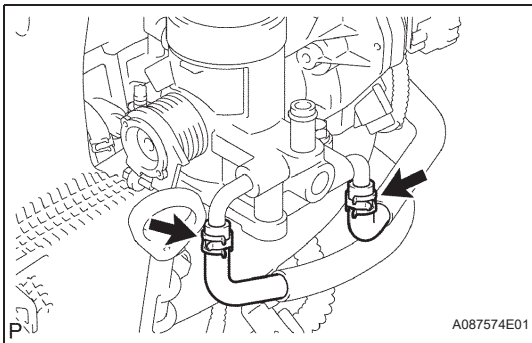




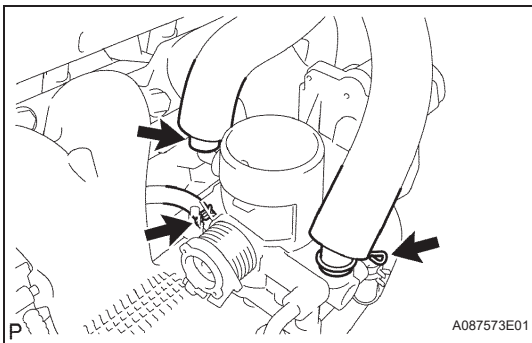
- (b) Install the throttle with motor body with the bolt and 2 nuts.
Torque: 20 N*m (204 kgf*cm, 15 ft.*lbf)



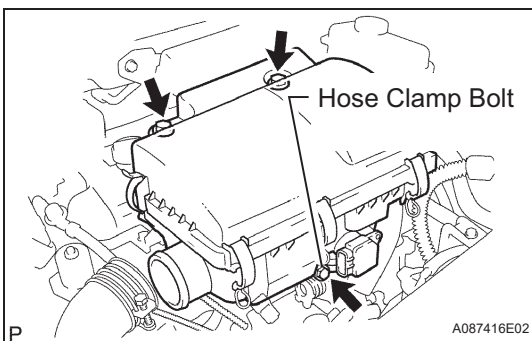
- (c) Connect the throttle position sensor connector.
 (d) Connect the throttle control motor connector.



- (e) Connect the No. 2 water by-pass hose.
 (f) Connect the water by-pass hose.



- (g) Connect the No. 1 fuel vapor feed hose.
 (h) Connect the No. 2 ventilation hose.
 (i) Connect the ventilation hose.



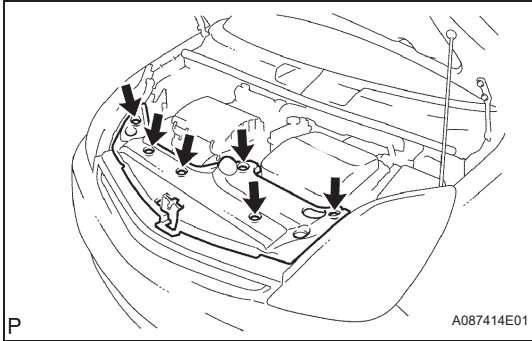
2. INSTALL AIR CLEANER ASSEMBLY

- (a) Install the air cleaner with the 2 bolts.
Torque: 7.0 N*m (71 kgf*cm, 62 in.*lbf)
- (b) Tighten the hose clamp bolt.
Torque: 3.0 N*m (31 kgf*cm, 27 in.*lbf)
- (c) Connect the No. 1 air cleaner inlet, and tighten the hose clamp bolt.
Torque: 3.0 N*m (31 kgf*cm, 27 in.*lbf)
- (d) Connect the MAF meter connector.

3. **CONNECT CABLE TO NEGATIVE BATTERY TERMINAL**
4. **ADD ENGINE COOLANT** (See page [CO-7](#))
5. **CHECK FOR ENGINE COOLANT LEAKS** (See page [CO-2](#))
6. **INSTALL ENGINE UNDER COVER LH**
7. **INSTALL RADIATOR SUPPORT OPENING COVER**
 - (a) Install the cover with the 6 clips.
8. **PERFORM INITIALIZATION**
 - (a) Perform initialization (see page [IN-32](#)).

NOTICE:

Certain systems need to be initialized after disconnecting and reconnecting the cable from the negative (-) battery terminal.



P

A087414E01

ES