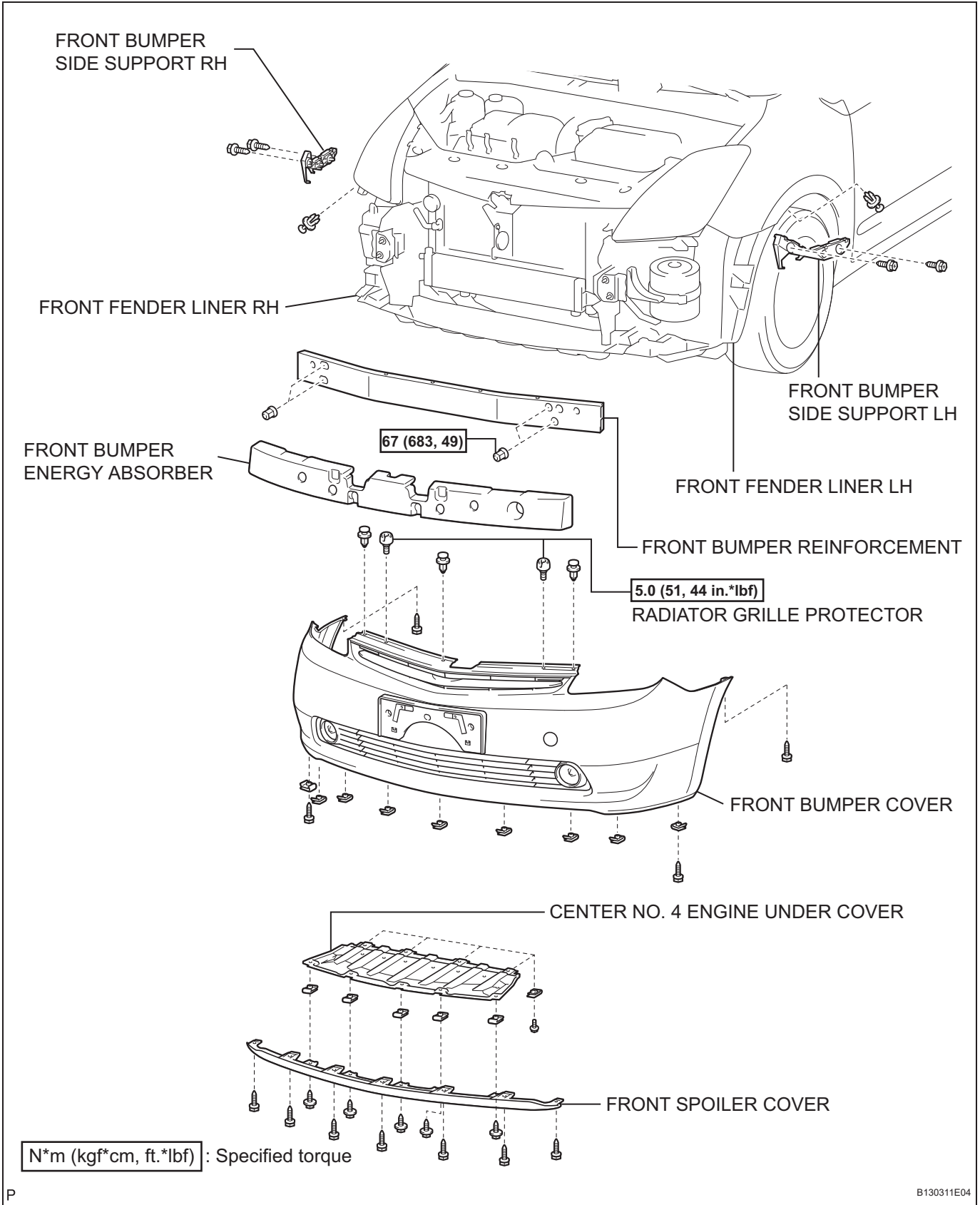
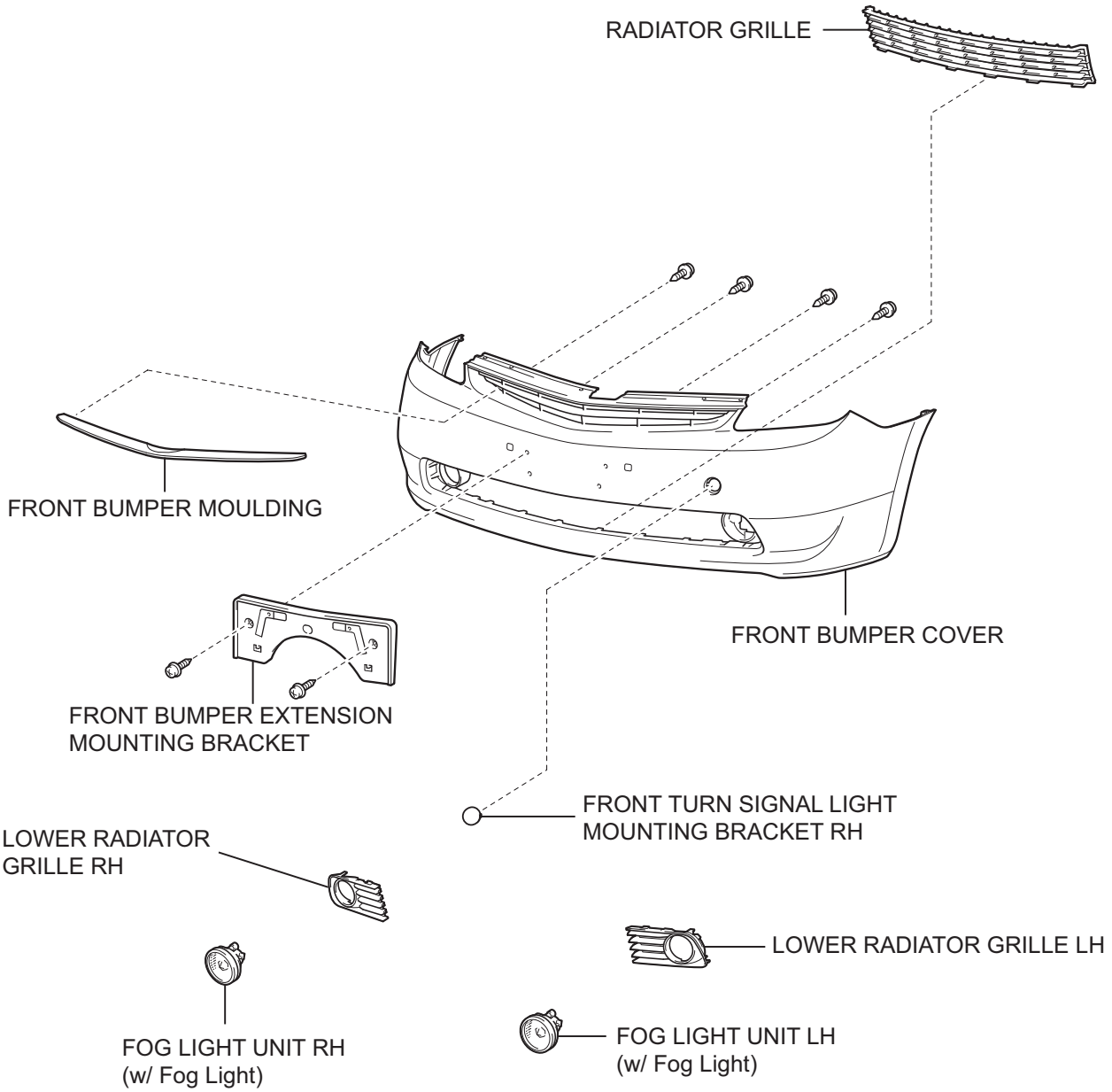


# FRONT BUMPER

## COMPONENTS



ET



ET

## REMOVAL

1. **DISCONNECT CABLE FROM NEGATIVE BATTERY TERMINAL**

### CAUTION:

Wait at least 90 seconds after disconnecting the cable from the negative (-) battery terminal to prevent airbag and seat belt pretensioner activation.

2. **REMOVE FRONT FENDER LINER LH**

- (a) Using a clip remover, remove the clip.
- (b) Partially remove the fender liner.

### HINT:

It is not necessary to fully remove the fender liner. Partially remove it so that the bumper cover can be removed in a later step.

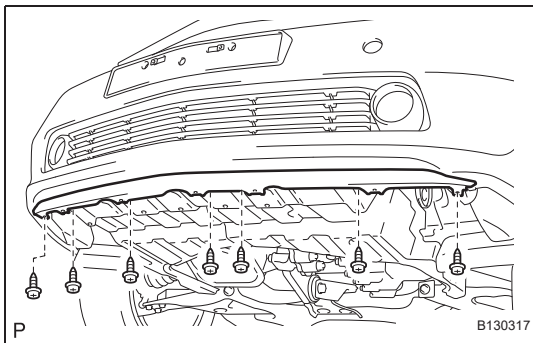
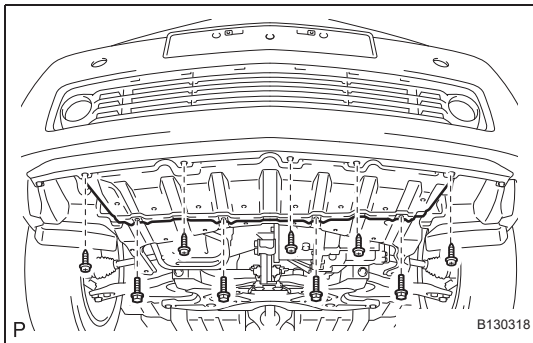
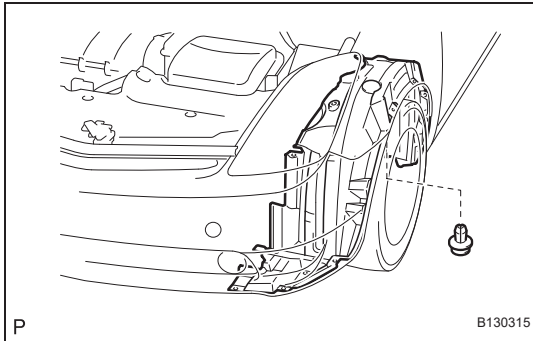
3. **REMOVE FRONT FENDER LINER RH**

### HINT:

Use the same procedure described for the LH side.

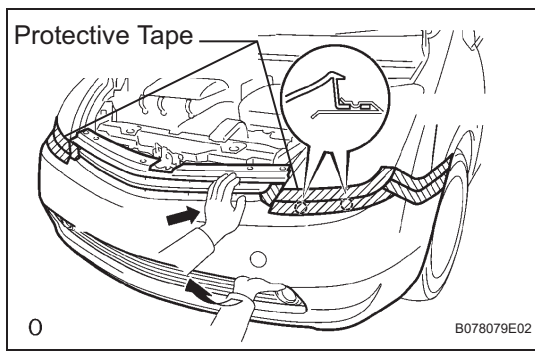
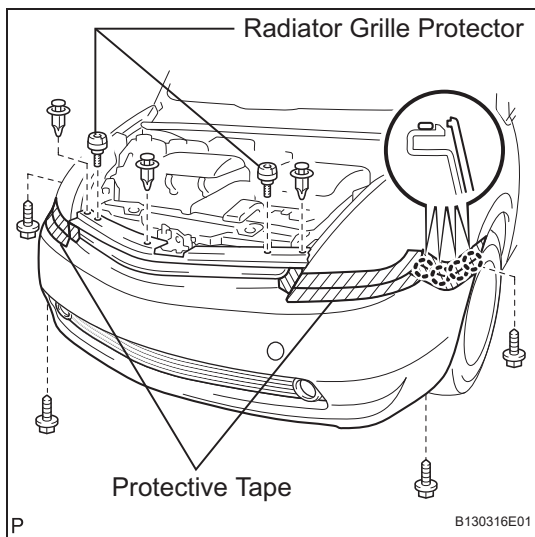
4. **REMOVE CENTER NO. 4 ENGINE UNDER COVER**

- (a) Remove the 5 screws, 4 bolts and under cover.



5. **REMOVE FRONT SPOILER COVER**

- (a) Remove the 7 screws and spoiler cover.



## 6. REMOVE FRONT BUMPER COVER

- (a) Put protective tape under the front fender.
- (b) Using a clip remover, remove the 3 clips.
- (c) Remove the 2 radiator grille protectors and 4 screws.
- (d) Detach the 8 claws.

- (e) Detach the 4 claws and remove the bumper cover.
  - (1) Hold the front bumper cover on its upper and lower parts with your hands as shown in the illustration.
  - (2) Pull up the front bumper cover's lower part while holding its upper part securely.

### NOTICE:

- The claw will not disengage unless the front bumper cover's upper part is securely held.
- Do not forcibly pull up the front bumper. This will deform the claw.

- (f) w/ Fog light:  
Disconnect the 2 fog light connectors.

## 7. REMOVE FRONT BUMPER ENERGY ABSORBER

## 8. REMOVE FRONT BUMPER REINFORCEMENT

- (a) Using a screwdriver, remove the 4 wire harness clamps.

### HINT:

Tape the screwdriver tip before use.

- (b) Remove the 4 nuts and reinforcement.

## 9. REMOVE FRONT BUMPER SIDE SUPPORT LH

- (a) Remove the 2 screws and side support.

## 10. REMOVE FRONT BUMPER SIDE SUPPORT RH

- (a) Remove the 2 screws and side support.

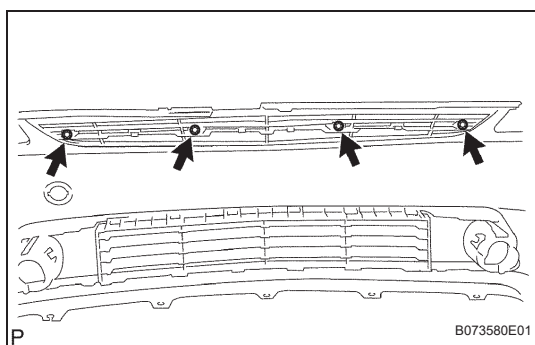
## DISASSEMBLY

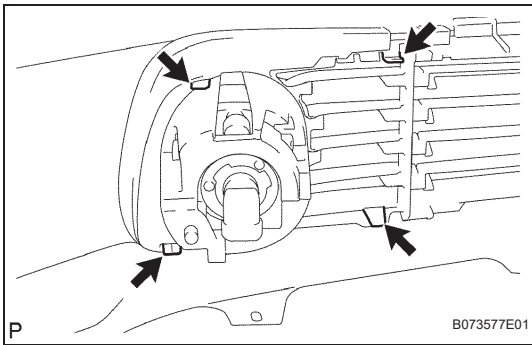
### 1. REMOVE FRONT BUMPER MOULDING

- (a) Remove the 4 screws.
- (b) Using a screwdriver, detach the 4 claws and remove the moulding.

### HINT:

Tape the screwdriver tip before use.





**2. REMOVE LOWER RADIATOR GRILLE LH**

- (a) Using a screwdriver, detach the 4 claws and remove the grille.

HINT:

Tape the screwdriver tip before use.

**3. REMOVE LOWER RADIATOR GRILLE RH**

HINT:

Use the same procedure described for the LH side.

**4. REMOVE FOG LIGHT UNIT LH (w/ Fog Light) (See page LI-87)**

**5. REMOVE FOG LIGHT UNIT RH (w/ Fog Light)**

HINT:

Use the same procedure described for the LH side.

**6. REMOVE RADIATOR GRILLE**

- (a) Using a screwdriver, detach the 12 claws and remove the grille.

HINT:

Tape the screwdriver tip before use.

**7. REMOVE FRONT TURN SIGNAL LIGHT MOUNTING BRACKET RH**

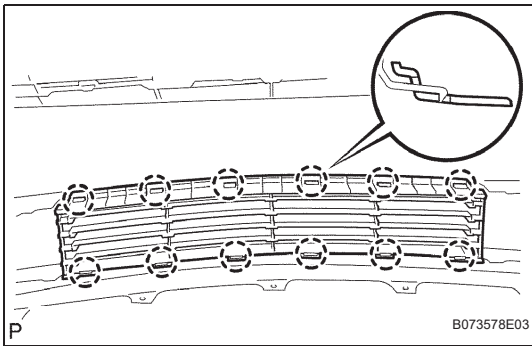
- (a) Using a screwdriver, detach the claws and remove the mounting bracket.

HINT:

Tape the screwdriver tip before use.

**8. REMOVE FRONT BUMPER EXTENSION MOUNTING BRACKET**

- (a) Remove the 2 screws and mounting bracket.



## REASSEMBLY

### 1. INSTALL FRONT BUMPER EXTENSION MOUNTING BRACKET

(a) Install the mounting bracket with the 2 screws.

### 2. INSTALL FRONT TURN SIGNAL LIGHT MOUNTING BRACKET RH

(a) Attach the claws to install the mounting bracket.

### 3. INSTALL RADIATOR GRILLE

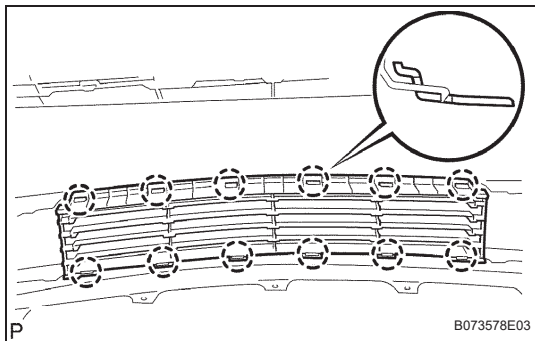
(a) Attach the 12 claws to install the grille.

### 4. INSTALL FOG LIGHT UNIT LH (w/ Fog Light) (See page LI-88)

### 5. INSTALL FOG LIGHT UNIT RH (w/ Fog Light)

HINT:

Use the same procedure described for the LH side.



### 6. INSTALL LOWER RADIATOR GRILLE LH

(a) Attach the 4 claws to install the grille.

### 7. INSTALL LOWER RADIATOR GRILLE RH

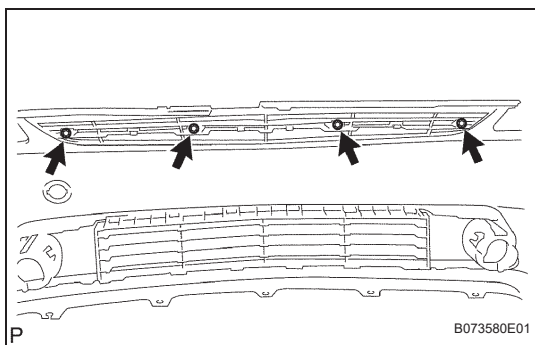
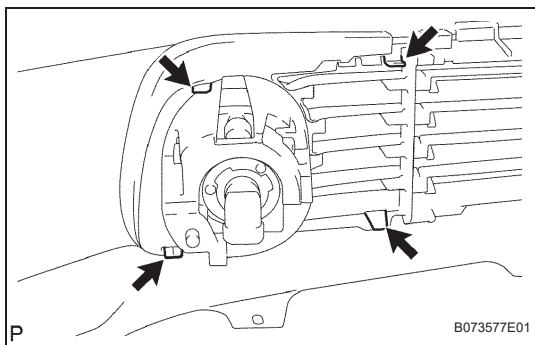
HINT:

Use the same procedure described for the LH side.

### 8. INSTALL FRONT BUMPER MOULDING

(a) Attach the 4 claws to install the moulding.

(b) Install the 4 screws.

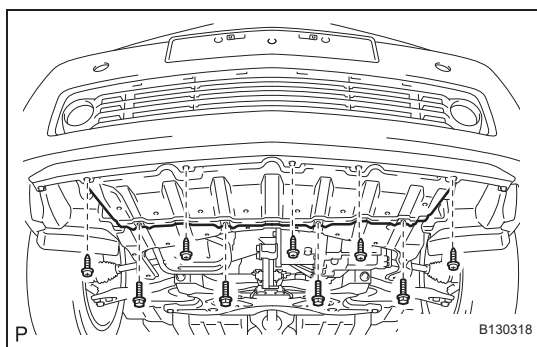
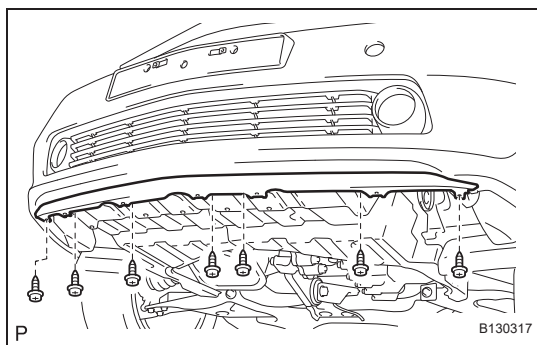
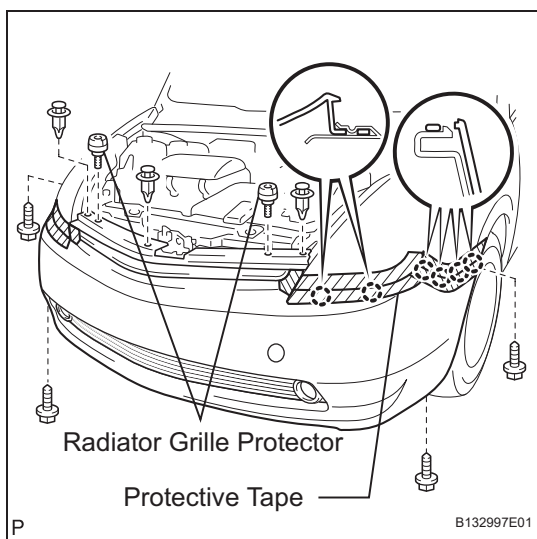


## INSTALLATION

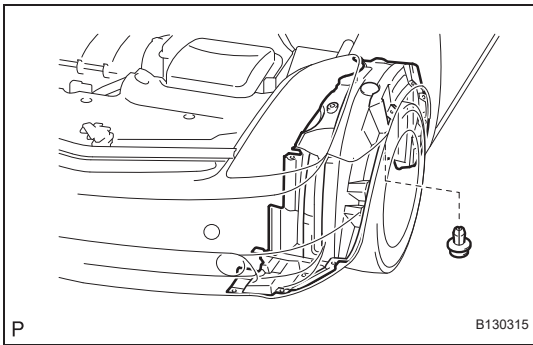
### HINT:

A bolt without a torque specification is shown in the standard bolt chart (see page [SS-2](#)).

1. **INSTALL FRONT BUMPER SIDE SUPPORT LH**  
(a) Install the side support with 2 screws.
2. **INSTALL FRONT BUMPER SIDE SUPPORT RH**  
(a) Install the side support with 2 screws.
3. **INSTALL FRONT BUMPER REINFORCEMENT**  
(a) Install the reinforcement with the 4 nuts.  
**Torque: 67 N\*m (683 kgf\*cm, 49 ft.\*lbf)**  
(b) Install the 4 wire harness clamps.
4. **INSTALL FRONT BUMPER ENERGY ABSORBER**
5. **INSTALL FRONT BUMPER COVER**  
(a) Put protective tape under the front fender.  
(b) w/ Fog light:  
Connect the 2 fog light connectors.  
(c) Attach the 12 claws to install the bumper cover.  
(d) Install the 4 screws and 3 clips.  
(e) Install the 2 radiator grille protectors.  
**Torque: 5.0 N\*m (51 kgf\*cm, 44 in.\*lbf)**



6. **INSTALL FRONT SPOILER COVER**  
(a) Install the spoiler cover with the 7 screws.
7. **INSTALL CENTER NO. 4 ENGINE UNDER COVER**  
(a) Install the under cover with the 5 screws and 4 bolts.

**8. INSTALL FRONT FENDER LINER LH**

(a) Install the fender liner with the clip.

**9. INSTALL FRONT FENDER LINER RH**

HINT:

Use the same procedure described for the LH side.

**10. CONNECT CABLE TO NEGATIVE BATTERY TERMINAL****11. PERFORM INITIALIZATION**

(a) Perform initialization (see page [IN-32](#)).

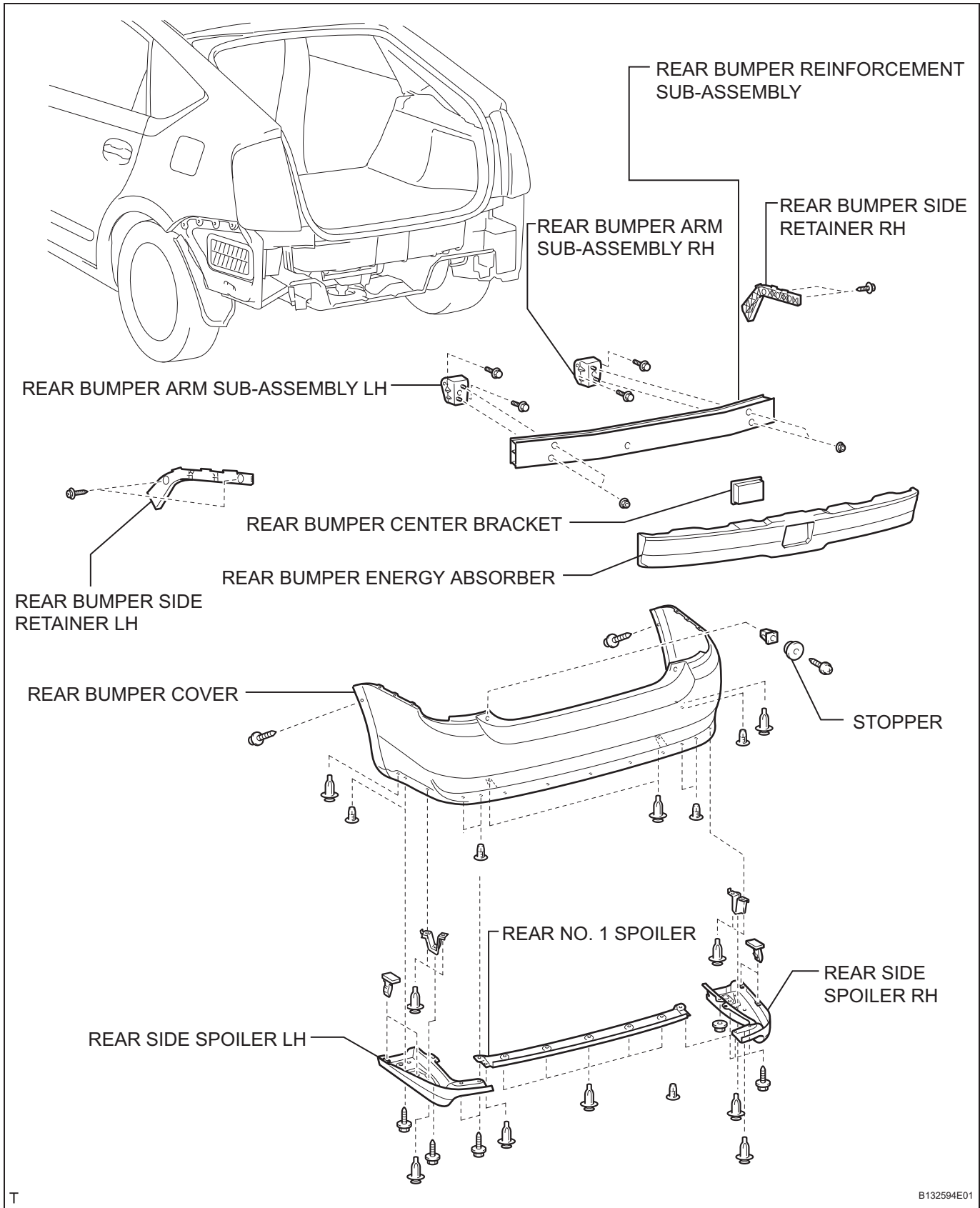
**NOTICE:**

Certain systems need to be initialized after disconnecting and reconnecting the cable from the negative (-) battery terminal.



# REAR BUMPER

## COMPONENTS



ET

T