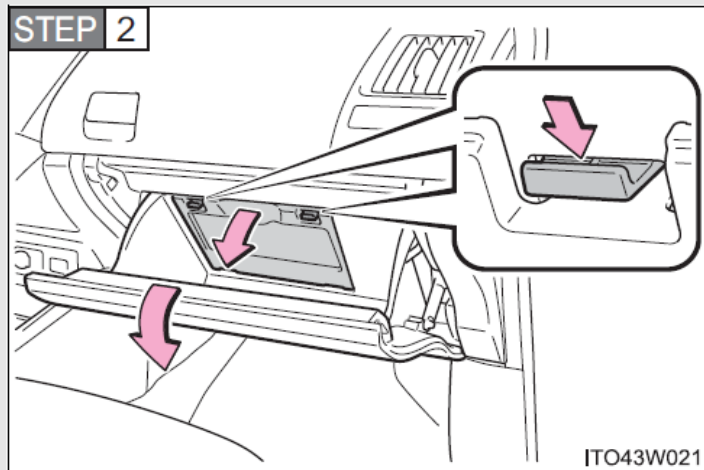


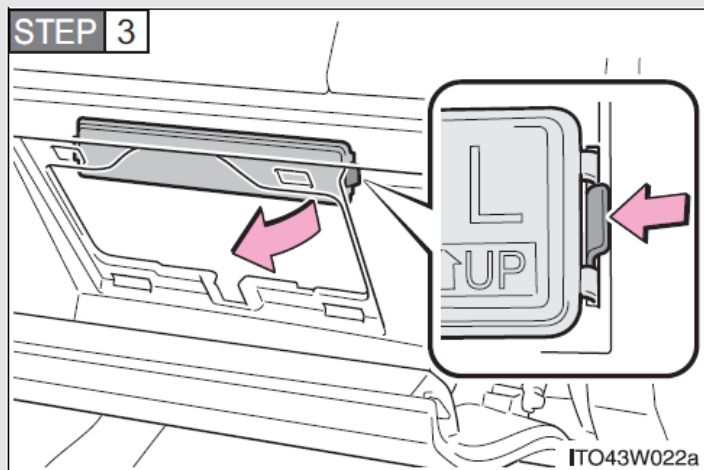
The air conditioning filter must be cleaned or changed regularly to maintain air conditioning efficiency.

## ■ Removal method

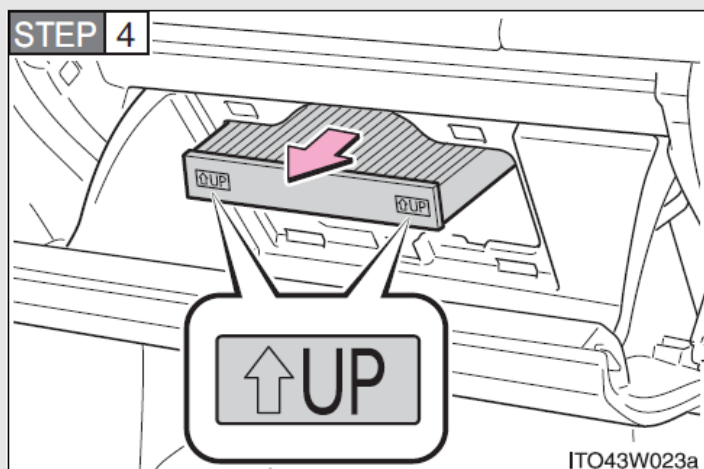
**STEP 1** Turn the “POWER” switch off.



Open the glove box and remove the filter exchange cover.



Remove the filter cover.



Slide and pull out the filter.