

COOLING FAN SYSTEM

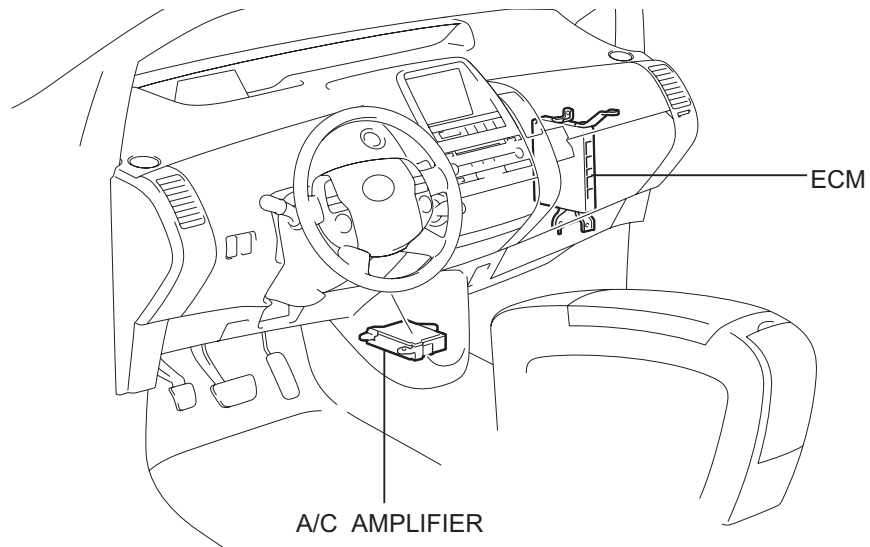
PARTS LOCATION

ENGINE COOLANT TEMPERATURE SENSOR

COOLING FAN MOTOR

ENGINE ROOM RELAY BLOCK, JUNCTION BLOCK

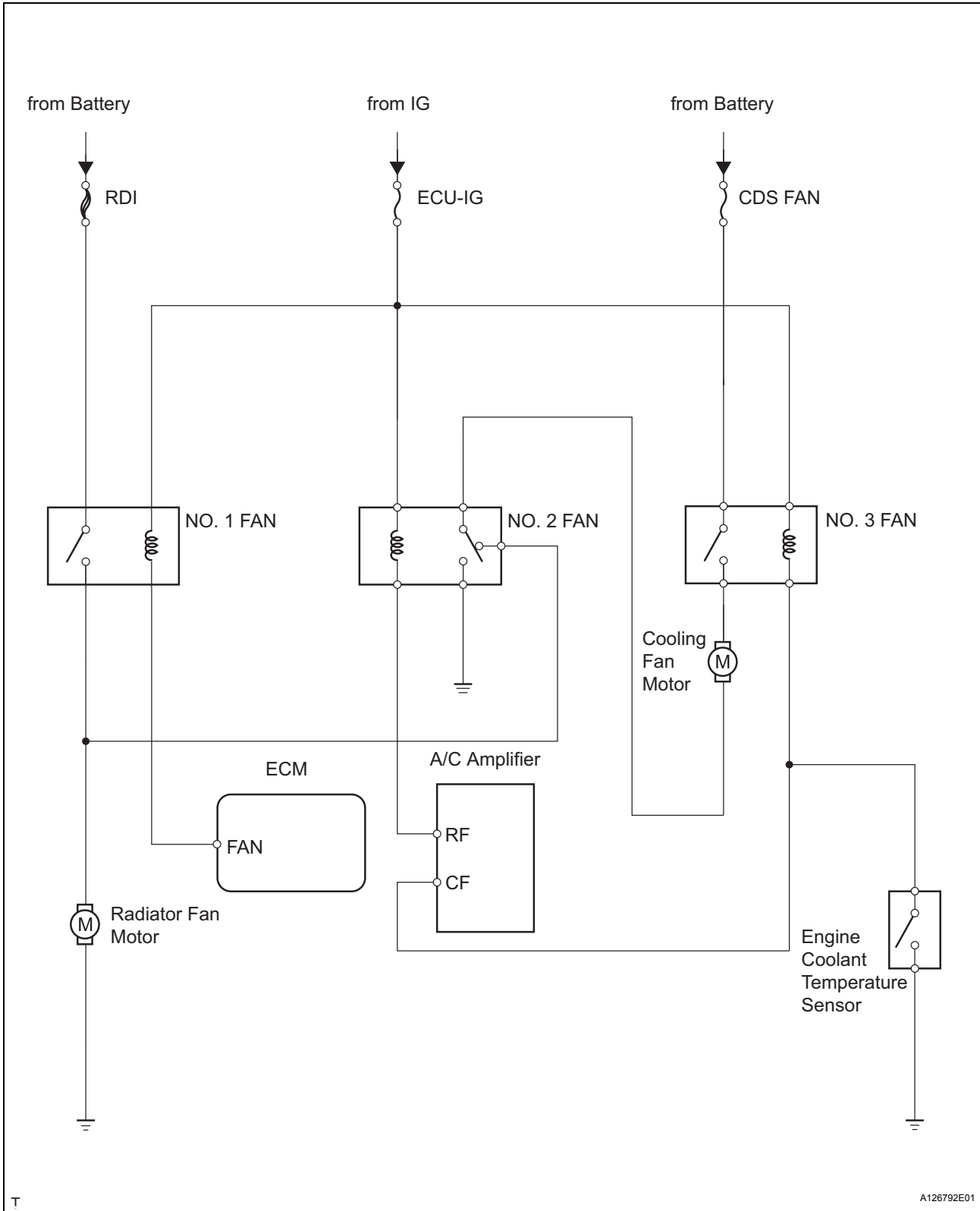
- RDI H-FUSE
- NO. 2 FAN RELAY (Marking: FAN NO. 2)
- CDS FAN FUSE
- NO. 3 FAN RELAY (Marking: FAN NO. 3)
- INTEGRATION RELAY (UNIT C: NO. 1 (FAN NO. 1) RELAY)



CO

SYSTEM DIAGRAM

CO



T

ON-VEHICLE INSPECTION

HINT:

It is normal for the cooling fan to sometimes rotate when the ignition switch is turned from ACC to ON.

1. CHECK COOLING FAN OPERATION AT LOW TEMPERATURE (Below 83°C (181°F))

- (a) Turn the ignition switch ON with the A/C switch OFF.
- (b) Check that the cooling fan stops.
If it does not, check the cooling fan relay and engine coolant temperature sensor, and check if there is a disconnection or circuit open between them.
- (c) Disconnect the engine coolant temperature sensor connector.
- (d) Check that the cooling fan rotates.
If it does not, check the fuses, cooling fan relay, ECM and cooling fan, and check for a short in the circuit between the cooling fan relay and engine coolant temperature sensor.
- (e) Reconnect the engine coolant temperature sensor connector.

2. CHECK COOLING FAN OPERATION AT HIGH TEMPERATURE (Above 93°C (199°F))

- (a) Start the engine, and raise the coolant temperature to above 93°C (199°F).

HINT:

Coolant temperature is the value detected by the engine coolant temperature sensor on the cylinder head.

- (b) Check that the A/C switch is OFF.
- (c) Check that the cooling fan rotates.
If it does not, check the fuses, cooling fan relay, ECM, cooling fan and engine coolant temperature sensor.

3. CHECK COOLING FAN

- (a) Disconnect the cooling fan connector.
- (b) Connect the battery and an ammeter to the cooling fan.
- (c) Check that the cooling fan rotates smoothly, and check the reading on the ammeter.
Standard amperage:
9.2 to 11.0 A
- (d) Reconnect the cooling fan connector.

CO