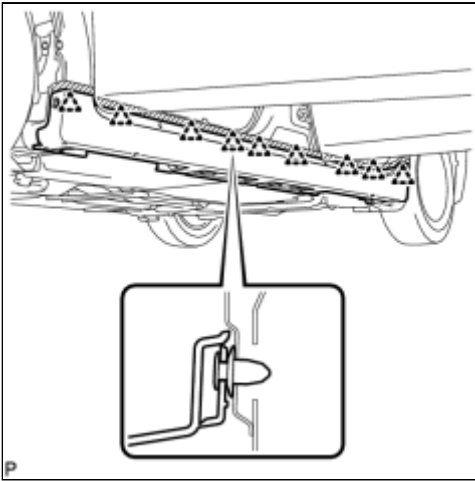


Last Modified: 5-3-2010	6.4 A	From: 200904
Model Year: 2010	Model: Prius	Doc ID: RM000003CW100AX
Title: EXTERIOR PANELS / TRIM: ROCKER PANEL MOULDING: INSTALLATION (2010 Prius)		

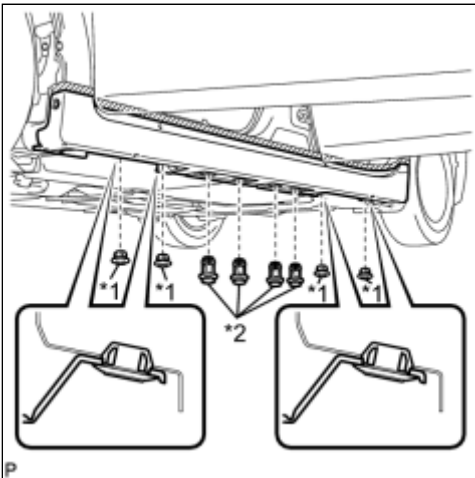
INSTALLATION

1. INSTALL BODY ROCKER PANEL MOULDING ASSEMBLY

(a) Install 9 new clips (rocker panel moulding clip) to the body rocker panel moulding assembly.



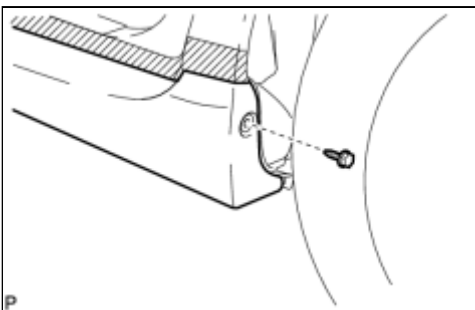
(b) Engage the 9 clips to install the body rocker panel moulding assembly.



(c) Install the 4 No. 2 side mudguard retainers and 4 side mudguard retainers.

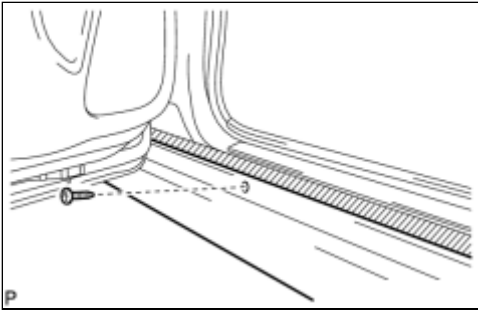
Text in Illustration

*1	No. 2 Side Mudguard Retainer
*2	Side Mudguard Retainer

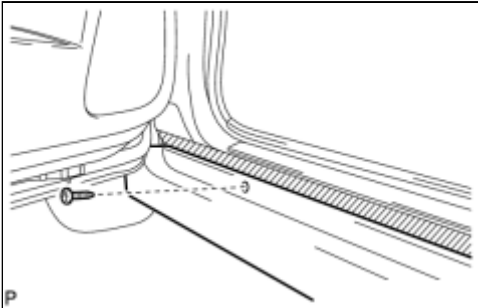


(d) Install the screw.

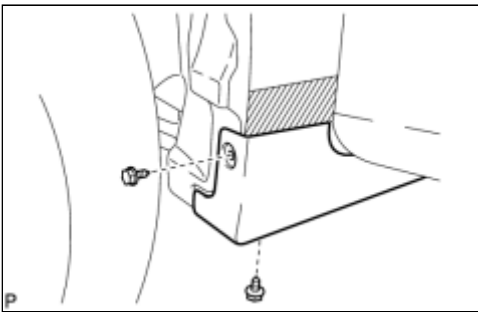
(e) Install the screw.



(f) Install the screw.



(g) Install the 2 screws.



2. INSTALL REAR WHEEL HOUSE FRONT PLATE INFO

