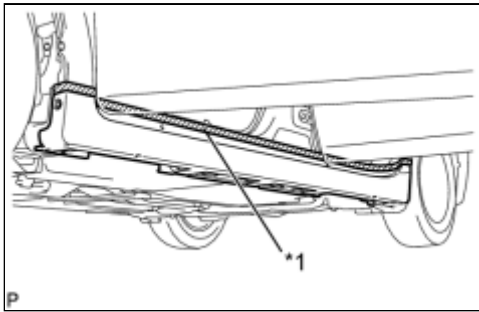


Last Modified: 5-3-2010	6.4 A	From: 200904
Model Year: 2010	Model: Prius	Doc ID: RM000003CW300AX
Title: EXTERIOR PANELS / TRIM: ROCKER PANEL MOULDING: REMOVAL (2010 Prius)		

REMOVAL

1. REMOVE REAR WHEEL HOUSE FRONT PLATE INFO

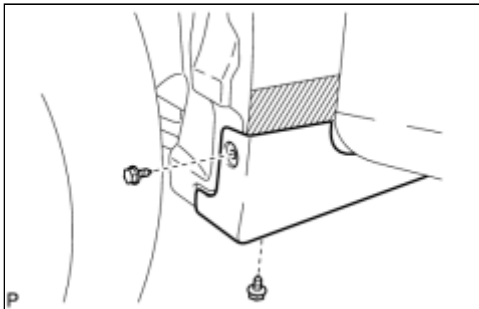
2. REMOVE BODY ROCKER PANEL MOULDING ASSEMBLY



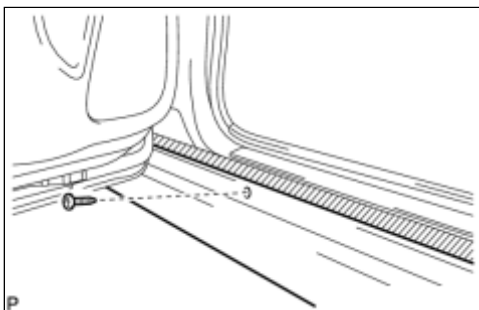
(a) Put protective tape around the body rocker panel moulding assembly.

Text in Illustration

*1	Protective Tape
----	-----------------

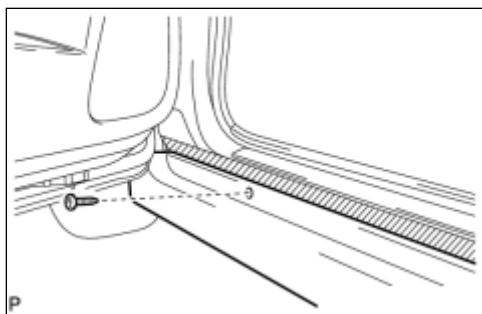


(b) Remove the 2 screws.

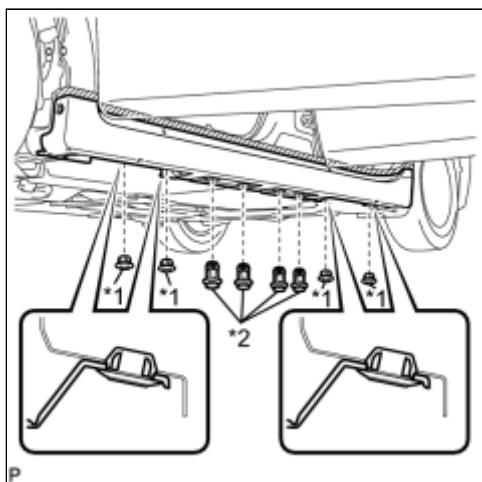
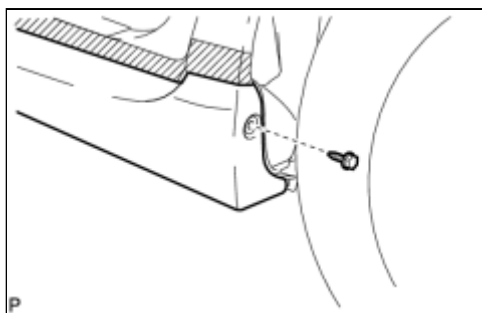


(c) Remove the screw.

(d) Remove the screw.



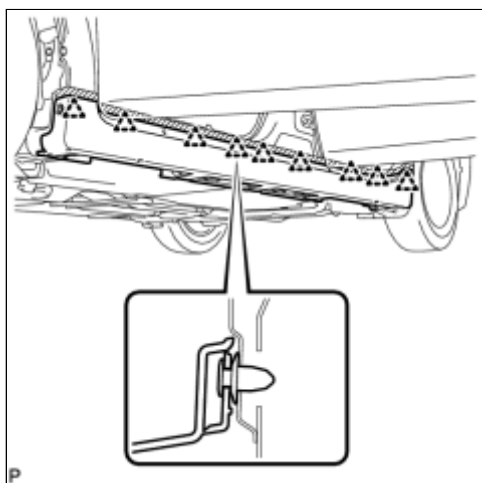
(e) Remove the screw.



(f) Remove the 4 side mudguard retainers and 4 No. 2 side mudguard retainers.

Text in Illustration

*1	No. 2 Side Mudguard Retainer
*2	Side Mudguard Retainer



(g) Disengage the 9 clips to remove the body rocker panel moulding assembly.

(h) Remove the 9 clips (rocker panel moulding clip).

