

**N\*m (kgf\*cm, ft.\*lbf)**: Specified torque

● Non-reusable part

# REMOVAL

1. REMOVE NO. 1 ENGINE UNDER COVER

2. REMOVE INLET AIR CLEANER ASSEMBLY\_ INFO

3. DRAIN COOLANT (for Engine)\_ INFO

4. REMOVE WATER PUMP ASSEMBLY

(a) Disconnect the water pump connector from the water pump assembly.



(b) Remove the 5 bolts and water pump assembly from the timing chain cover.



(c) Remove the water pump gasket from the water pump.

# INSTALLATION

## 1. INSTALL WATER PUMP ASSEMBLY



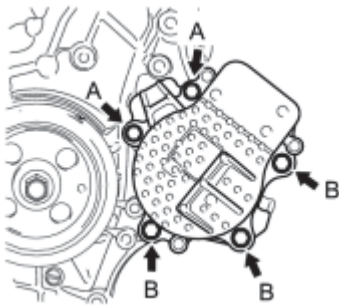
(a) Install a new water pump gasket.

HINT:

Be sure to clean the contact surfaces.

c

(b) Install the water pump assembly to the timing chain cover with the 5 bolts.



c

Bolt A - Torque: **26 N·m (260 kgf·cm, 19ft·lbf)**

Bolt B - Torque: **21 N·m (214 kgf·cm, 15ft·lbf)**

Bolt Length:

Item	Length
Bolt A	35 mm (1.38 in.)
Bolt B	18 mm (0.709 in.)

(c) Connect the water pump connector to the water pump assembly.

2. ADD COOLANT (for Engine) [INFO](#)

3. INSPECT FOR COOLANT LEAK (for Engine) [INFO](#)

4. INSTALL INLET AIR CLEANER ASSEMBLY [INFO](#)

5. INSTALL NO. 1 ENGINE UNDER COVER