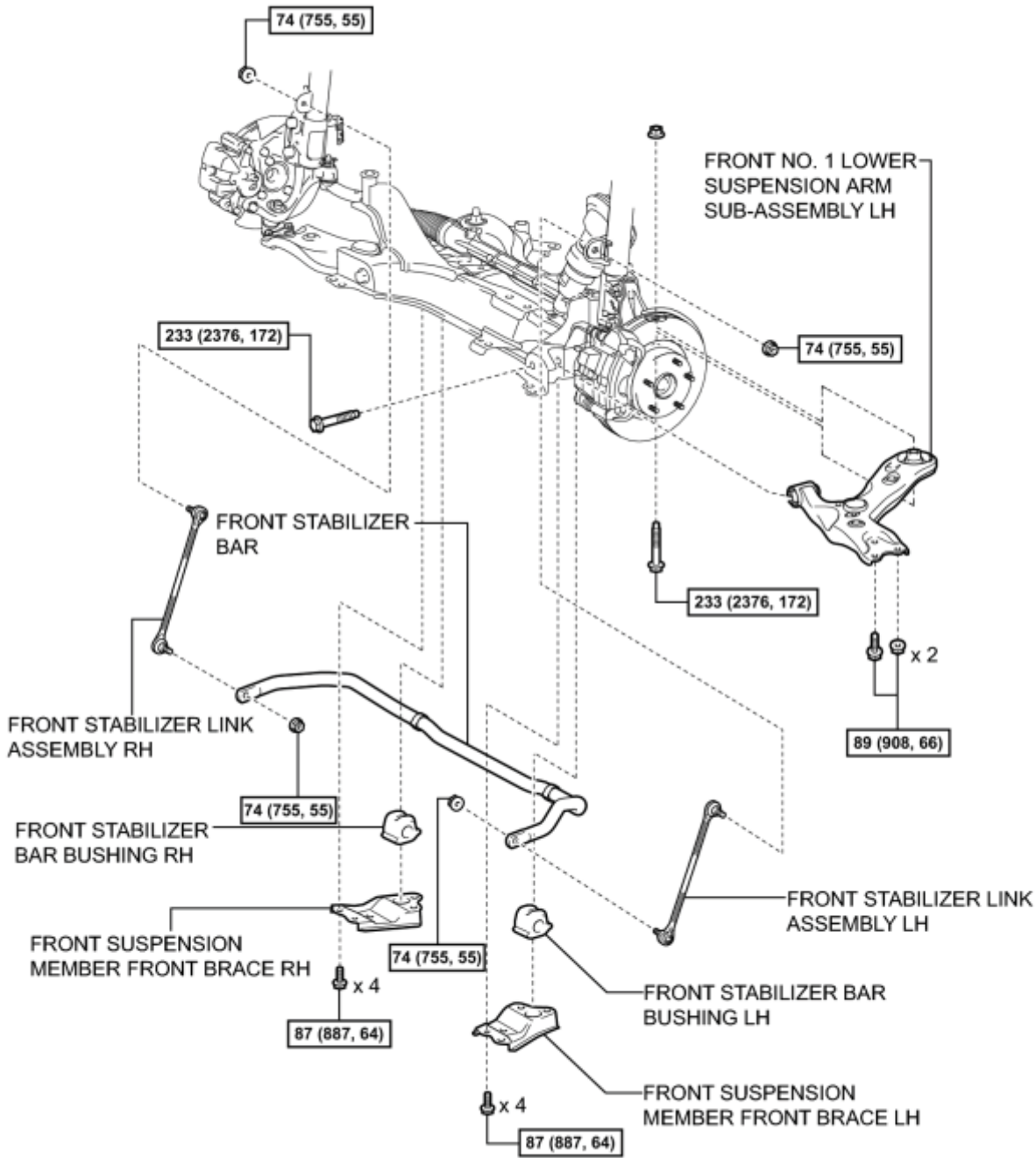


COMPONENTS ILLUSTRATION

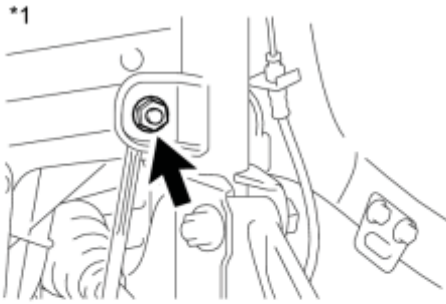


N*m (kgf*cm, ft.*lbf): Specified torque

c

REMOVAL

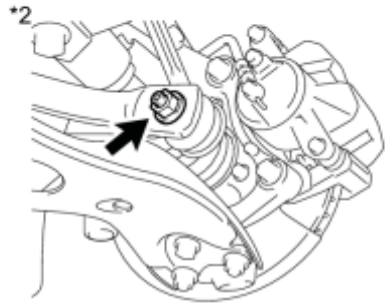
1. REMOVE FRONT WHEELS
2. REMOVE NO. 1 ENGINE UNDER COVER
3. REMOVE NO. 2 ENGINE UNDER COVER
4. REMOVE FRONT STABILIZER LINK ASSEMBLY LH



(a) Remove the 2 nuts and front stabilizer link assembly LH.

Text in Illustration

*1	Upper Side
*2	Lower Side



HINT:

If the ball joint turns together with the nut, use a hexagon wrench (6 mm) to hold the stud bolt.

5. REMOVE FRONT STABILIZER LINK ASSEMBLY RH

HINT:

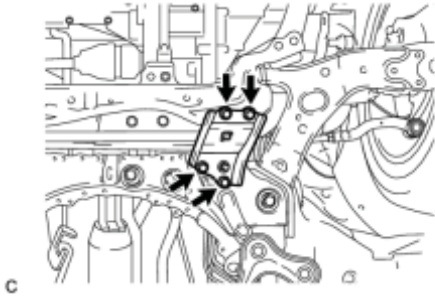
Perform the same procedure as for the LH side.

6. SEPARATE FRONT NO. 1 LOWER SUSPENSION ARM SUB-ASSEMBLY LH_ INFO

7. REMOVE FRONT NO. 1 LOWER SUSPENSION ARM SUB-ASSEMBLY LH_ INFO

8. REMOVE FRONT SUSPENSION MEMBER FRONT BRACE LH

(a) Remove the 4 bolts and front suspension member front brace LH.

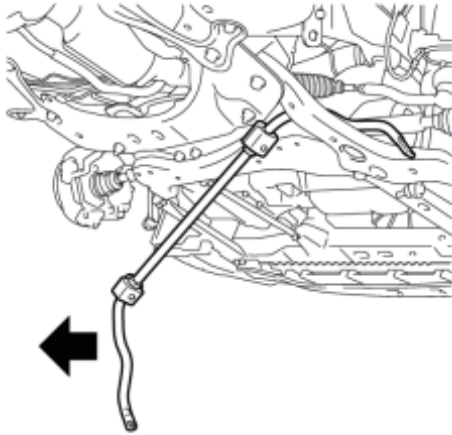


9. REMOVE FRONT SUSPENSION MEMBER FRONT BRACE RH

HINT:

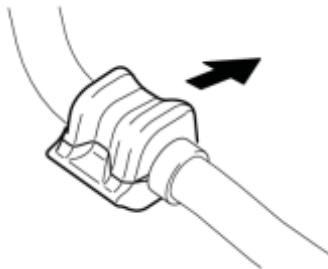
Perform the same procedure as for the LH side.

10. REMOVE FRONT STABILIZER BAR



(a) Remove the front stabilizer bar with front stabilizer bar bushing from the front suspension crossmember sub-assembly.

11. REMOVE FRONT STABILIZER BAR BUSHING LH



(a) Remove the front stabilizer bar bushing LH from the front stabilizer bar.

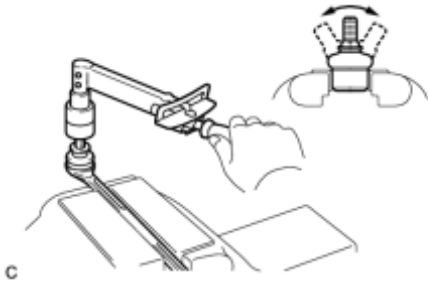
12. REMOVE FRONT STABILIZER BAR BUSHING RH

HINT:

Perform the same procedure as for the LH side.

INSPECTION

1. INSPECT FRONT STABILIZER LINK ASSEMBLY



(a) Inspect the turning torque of the ball joint.

(1) Secure the front stabilizer link assembly in a vise using aluminum plates.

(2) Install the nut to the front stabilizer link assembly stud.

(3) Using a torque wrench, turn the nut continuously at a rate of 3 to 5 seconds per turn and take the torque reading on the 5th turn.

Torque: **0.05 to 1.96 N·m (0.5 to 20 kgf·cm, 0.4 to 17in·lbf)**

HINT:

If the turning torque is not within the specified range, replace the front stabilizer link assembly with a new one.

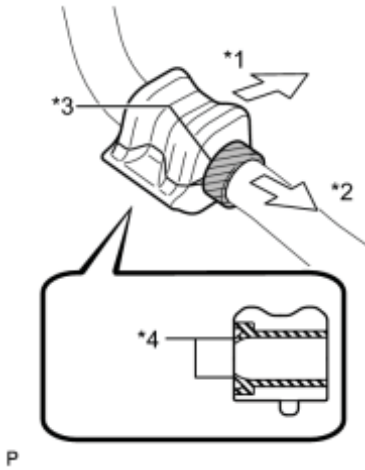
(b) Inspect the dust cover.

(1) Check that the dust cover is not cracked and that there is no grease on it.

INSTALLATION

1. INSTALL FRONT STABILIZER BAR BUSHING LH

(a) Install the front stabilizer bar bushing to the front stabilizer bar as shown in the illustration.



Text in Illustration

*1	Front of the Vehicle
*2	Inside of the Vehicle
*3	Stopper
*4	Dust Lip

- Install the front stabilizer bar bushing so that the dust lips face outward of the vehicle.
- Install the front stabilizer bar bushing so that the cutouts face rearward of the vehicle.

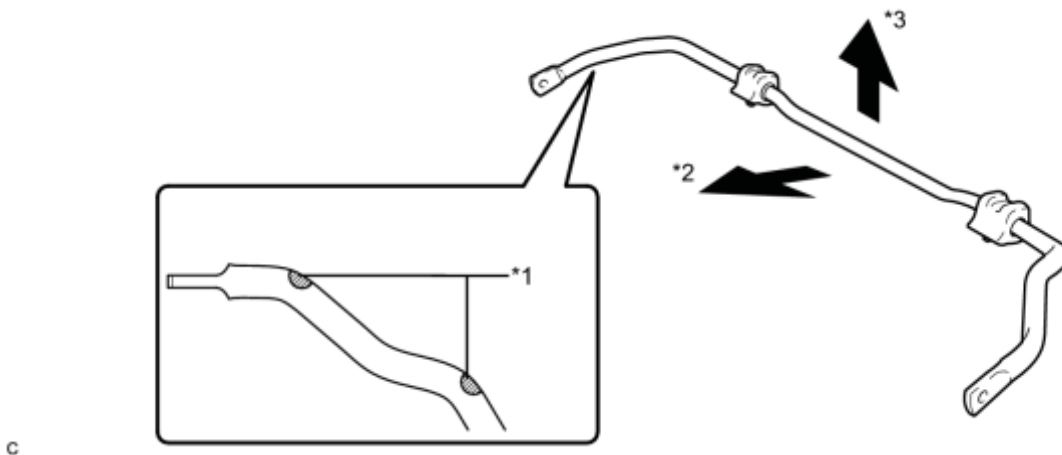
2. INSTALL FRONT STABILIZER BAR BUSHING RH

HINT:

Perform the same procedure as for the LH side.

3. INSTALL FRONT STABILIZER BAR

(a) Install the front stabilizer bar to the front suspension crossmember sub-assembly so that the identification mark is positioned on the right side of the vehicle.



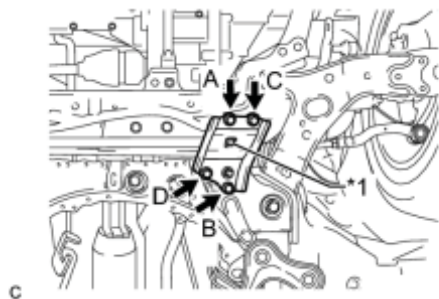
Text in Illustration

*1	Identification Mark	*2	Front of the Vehicle
*3	Top of the Vehicle	-	-

4. INSTALL FRONT SUSPENSION MEMBER FRONT BRACE LH

(a) Install the front suspension member front brace LH with the 4 bolts.

Text in Illustration



*1	Protrusion
----	------------

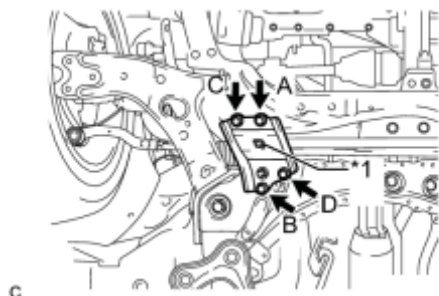
Torque: **87 N·m (887 kgf·cm, 64ft·lbf)**

- Temporarily tighten bolt A, and then fully tighten the 4 bolts in the order of B, C, D, and A.
- After installing the front suspension member front brace LH, make sure that the protrusion of the No. 1 front stabilizer bar bushing comes out.

5. INSTALL FRONT SUSPENSION MEMBER FRONT BRACE RH

(a) Install the front suspension member front brace RH with the 4 bolts.

Text in Illustration



*1	Protrusion
----	------------

Torque: **87 N·m (887 kgf·cm, 64ft·lbf)**

- Temporarily tighten bolt A, and then fully tighten the 4 bolts in the order of B, C, D, and A.
- After installing the front suspension member front brace RH, make sure that the protrusion of the No. 1 front stabilizer bar bushing comes out.

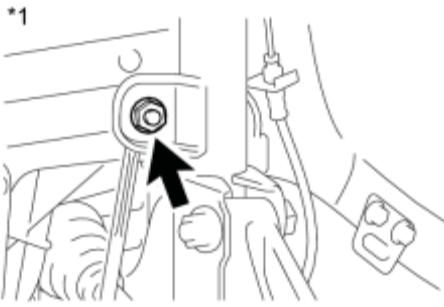
6. TEMPORARILY INSTALL FRONT NO. 1 LOWER SUSPENSION ARM SUB-ASSEMBLY LH INFO

7. CONNECT FRONT NO. 1 LOWER SUSPENSION ARM SUB-ASSEMBLY LH INFO

8. INSTALL FRONT STABILIZER LINK ASSEMBLY LH

(a) Install the front stabilizer link assembly LH with the 2 nuts.

Text in Illustration

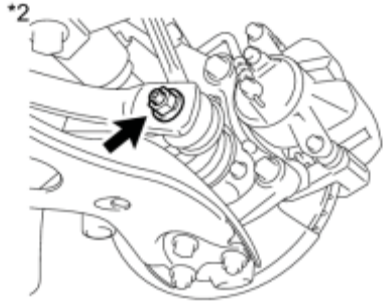


*1	Upper Side
*2	Lower Side

Torque: **74 N·m (755 kgf·cm, 55ft·lbf)**

HINT:

If the ball joint turns together with the nut, use a hexagon wrench (6 mm) to hold the stud bolt.



9. INSTALL FRONT STABILIZER LINK ASSEMBLY RH

HINT:

Perform the same procedure for as the LH side.

10. INSTALL FRONT WHEELS

Torque: **103 N·m (1050 kgf·cm, 76ft·lbf)**

11. STABILIZE SUSPENSION INFO

12. FULLY TIGHTEN FRONT NO. 1 LOWER SUSPENSION ARM SUB-ASSEMBLY LH INFO

13. INSTALL NO. 2 ENGINE UNDER COVER

14. INSTALL NO. 1 ENGINE UNDER COVER

15. INSPECT AND ADJUST FRONT WHEEL ALIGNMENT

HINT:

Inspect and adjust the front wheel alignment INFO.