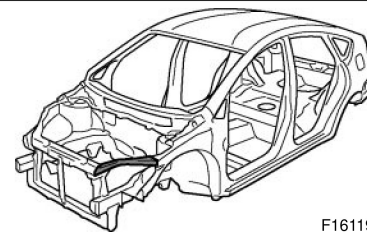


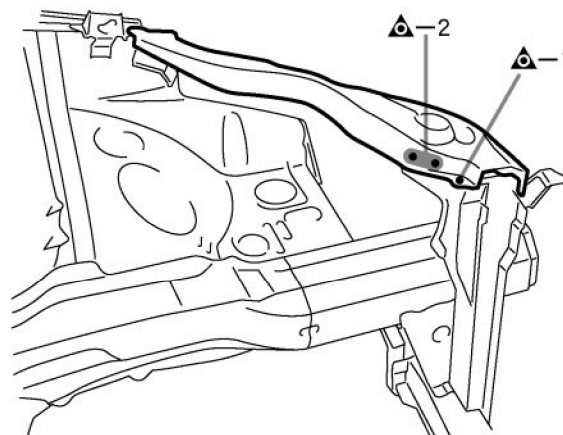
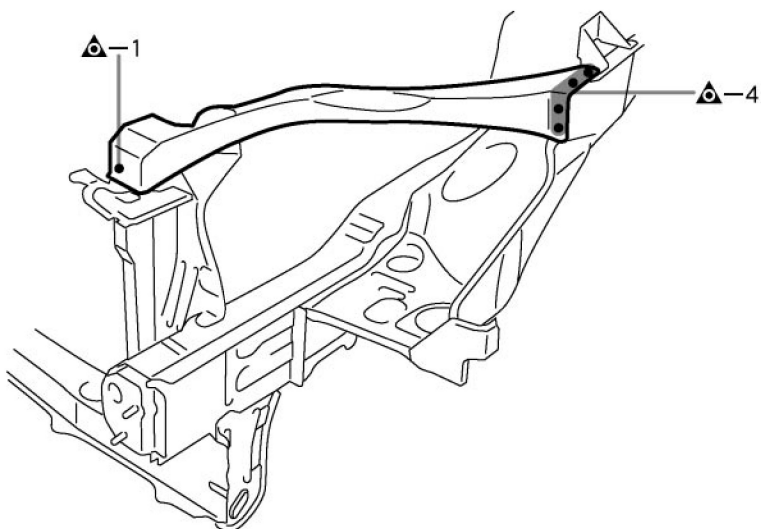
RADIATOR UPPER SUPPORT (ASSY)

REPLACEMENT



F16119-A

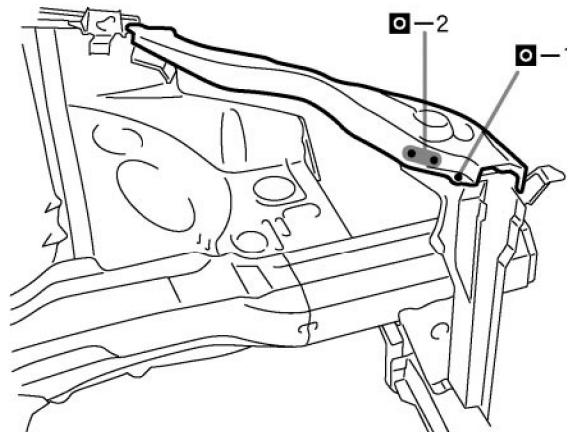
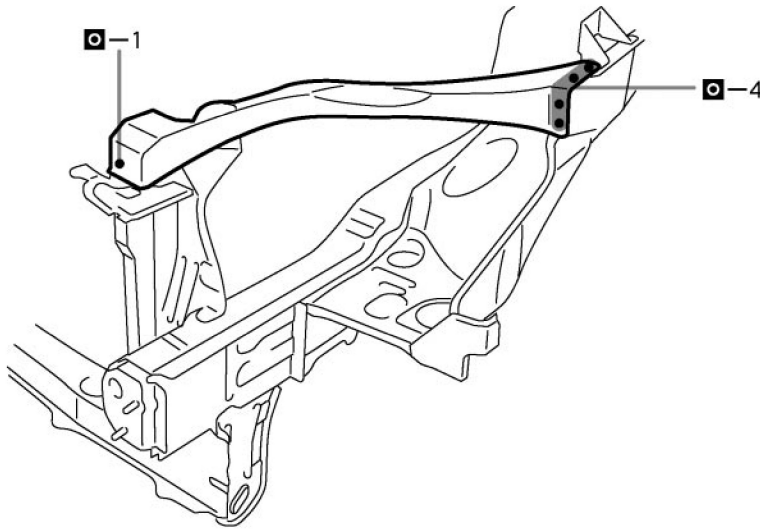
REMOVAL

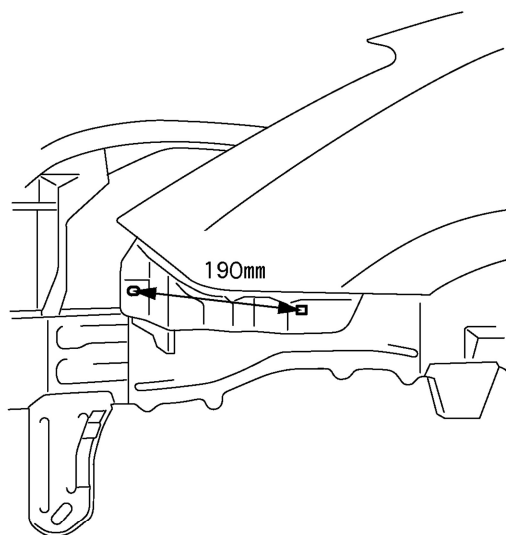
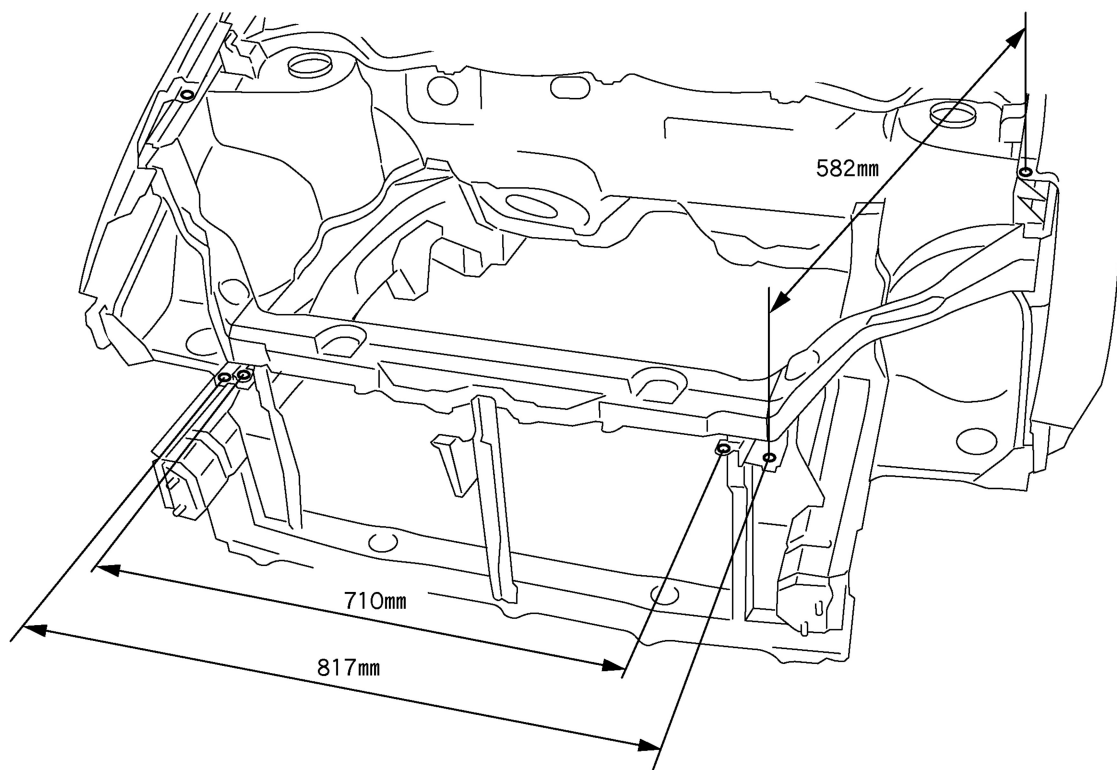


F16119

INSTALLATION

- Temporarily install the new parts and measure each part of the new parts in accordance with the body dimension diagram. (See the body dimension diagram)
- Inspect the fitting of the related parts around the new parts before welding. This affects the appearance of the finish.
- After welding, apply the polyurethane foam to the corresponding parts.
- After welding, apply body sealer and under-coating to the corresponding parts.
- After applying the top coat layer, apply anti-rust agent to the inside of the necked section structural weld spots.





F16133

POINT

- 1 Measure the dimensions before installing headlights.
- 2 These values are reference values.

190mm (7.48in.)

582mm (22.91in.)

710mm (27.95in.)

817mm (32.17in.)