

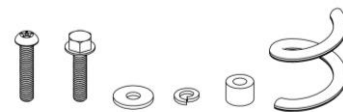
### Prius Generation 4 (2016-2021) Installation Guide

Thank you for purchasing the best Prius catalytic converter theft deterrence device on the market. Please read the following instructions to ensure the most accurate and secure fit for your Cat Shield. Professional installation is highly recommended. **Please check out [www.catshield.com](http://www.catshield.com) for installation videos.**

#### Necessary Tools:

- 5/16" bit driver or 5/16" socket
- 10mm socket
- 12mm socket
- 13mm wrench
- Panel fastener removal tool or flat head screw driver
- Protective eyewear

#### Included with your Cat Shield:



- 1 Cat Shield
- 2 tamper-proof screws
- 4 M8 flange bolt
- 2 fender washers
- 2 lock washers
- 6 aluminum spacers
- 1 tamper-proof bit
- 3 rubber dampeners

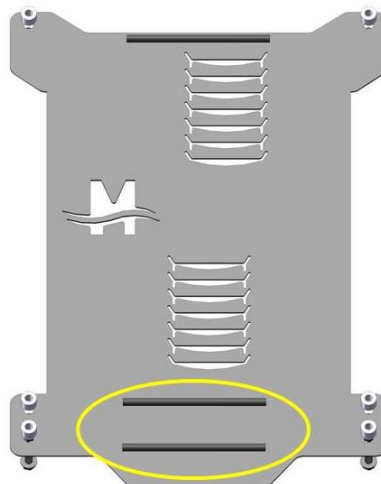
Step 1: **Remove front reinforcement brace bolts.** Using a 12mm socket, remove 2 rear bolts on the front floor pan reinforcement brace. (Removal of the entire reinforcement brace is not necessary) **(Refer to Image #1a)**

Step 2: **Remove left and right splash shield bolts.** Using a 10mm socket, remove 2 front bolts holding the floor pan splash shields on both left and right side. **(Refer to Image #1a)**

Step 3: **Remove splash shield fasteners.** Using a fastener removal tool or a flat head screw driver remove the 2 fasteners holding the left and right side splash shield. (Removal of the entire splash shield is not necessary) **(Refer to Image #2)**

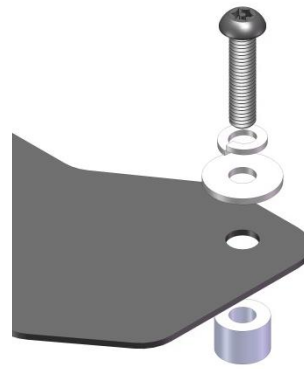
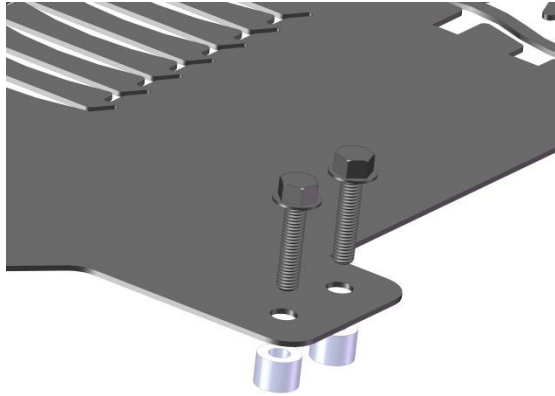
Step 4: **Remove middle reinforcement brace bolts.** **(Some Prius maybe missing this brace refer to image #1b and move to Step 5)** With the fasteners removed pull down the splash shield to view the front bolts holding the rear reinforcement brace bolts recently drilled out holes. (Removal of the entire reinforcement brace is not necessary) **(Refer to Image #1a and #3)**

Step 5: **Install Cat Shield.** \*Prior to install, place 3 rubber dampeners along the front and rear of the Cat Shield as pictured below. If you are missing the middle reinforcement brace the rear rubber dampeners do **not** need to be added (circled below). Adding the rubber strip will help reduce noise and vibration when mating up to the reinforcement brace. Place the Cat Shield up to the vehicle. Using the spacer and flange bolt, first install and loosely tighten the rear part of the Cat Shield to the location of the middle reinforcement brace where the bolts were removed. If there is no middle reinforcement brace, locate the preexisting threaded holes (where the middle brace would have been) and install the rear part of the Cat Shield. The rear ears of the Cat Shield should slide underneath the left and right sides of the splash shield. Use the hardware in the following order: flange bolt, cat shield, and spacer.



Step 6: **Install front tamper-resistant screws and aluminum spacers.** Prior to installing the front portion of the Cat Shield install the two 10mm bolts that holds down the front part of the splash shield. The Cat Shield will cover over these bolts when it is installed. Use the 2 tamper-proof screws and hardware,

fasten the front of the shield to the vehicle. First place the aluminum spacer in the hole of the front reinforcement brace where you took off the bolt (in step 1) and then push up the Cat Shield in place. Then use the fender washer, crush washer, and tamper-proof screws to secure the front end of the shield. The spacer will ensure your shield remains as flat as possible. Refer to the image on the right below.



Rear (x4) flange bolts and spacer

Front (x2) screw, lock washer, fender washer, and spacers

**Step 7: Complete installation.** Use the provided tamper-proof bit and 5/16" bit driver or socket to tighten the tamper-proof screws. Check each screw to ensure the shield is completely secured to the vehicle. Tighten the rear bolts of the Cat Shield, the splash shield will be covering the bolts but using a 13mm wrench you will be able to slide in between the splash shield to tighten the rear bolts down. Replace the plastic fasteners back to its original place. **(Refer to Image #2)**

**Step 8: Apply Cat Shield sticker (optional).** Place the sticker on the vehicle to warn thieves this vehicle is protected by Cat Shield! Recommended placement: Rear liftgate window.

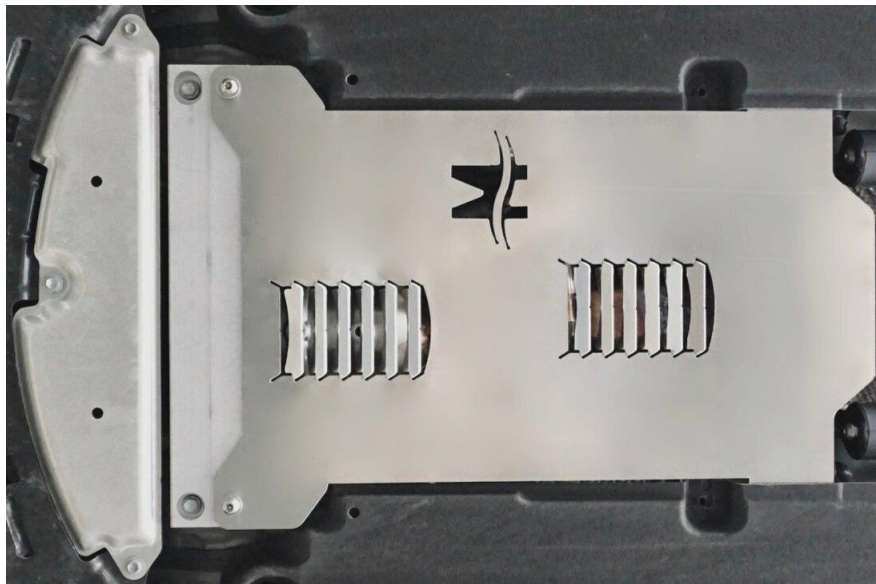


Image #1a

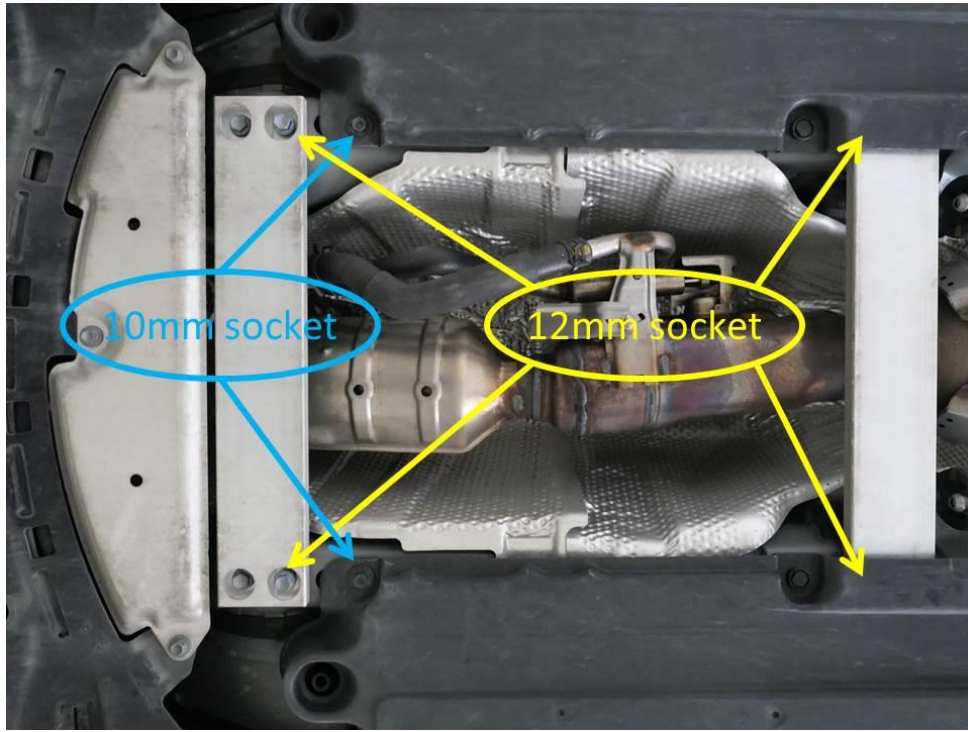


Image #1b

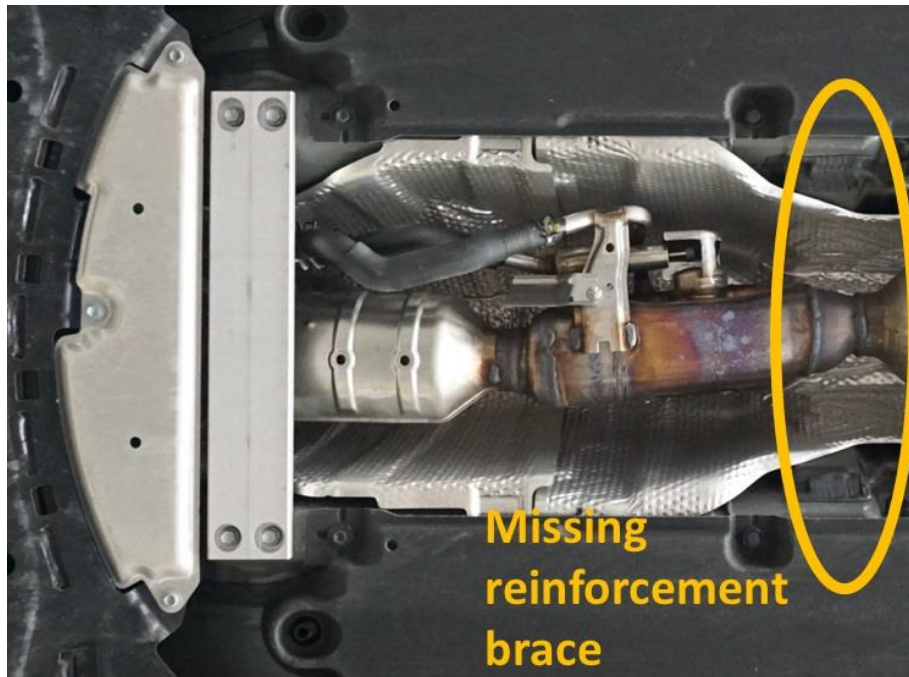


Image #2

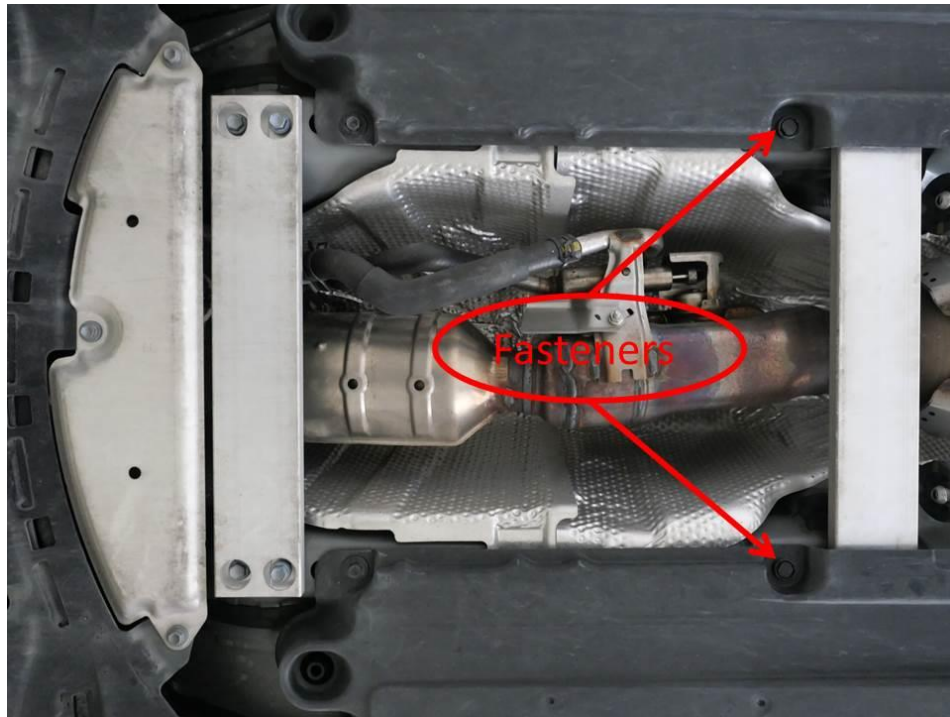


Image #3

