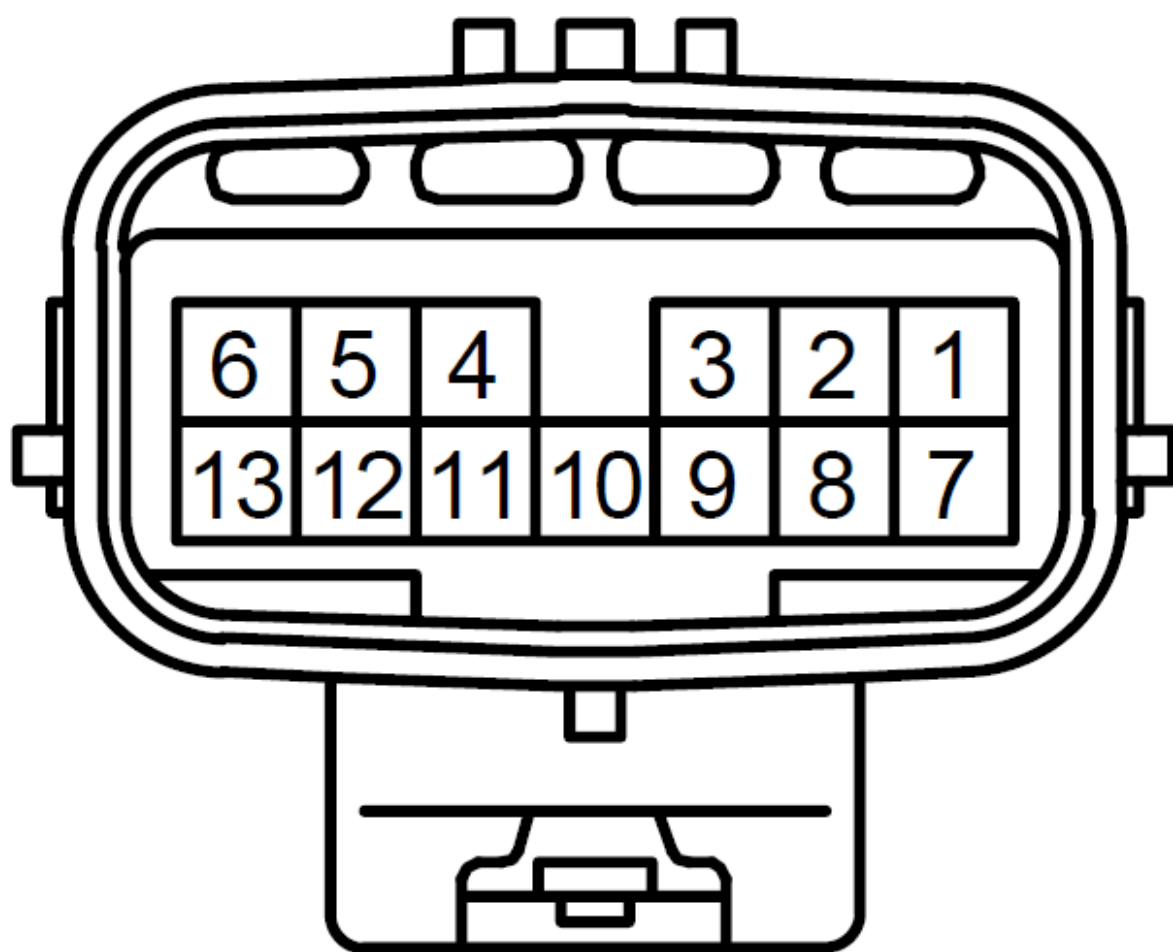
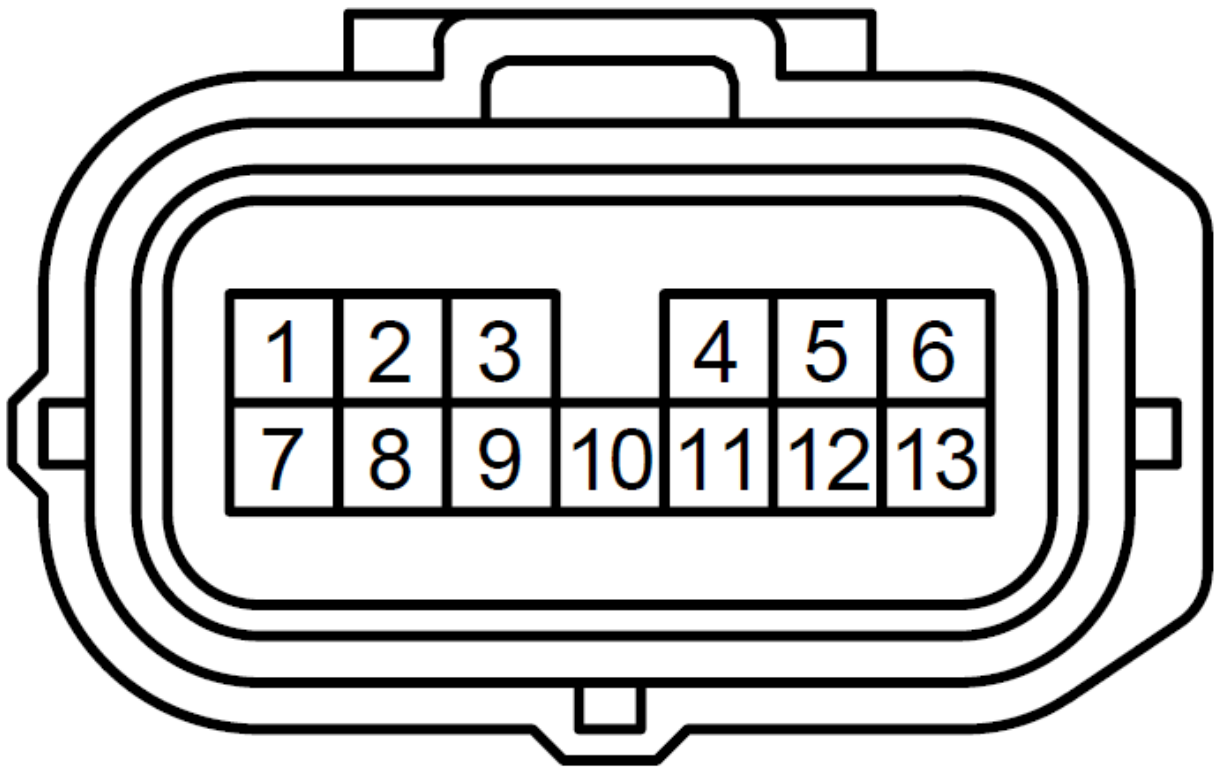


<MALE> 13P Waterproof Type

90980-12716



<FEMALE> 13P Waterproof Type
90980-12326



2021 Prius LE FWD

Toyota Connector Pin Assignments (Missing pins grayed out.)

6 Tail	5	4		3	2	1
13 Brake	12	11	10	9	8	7

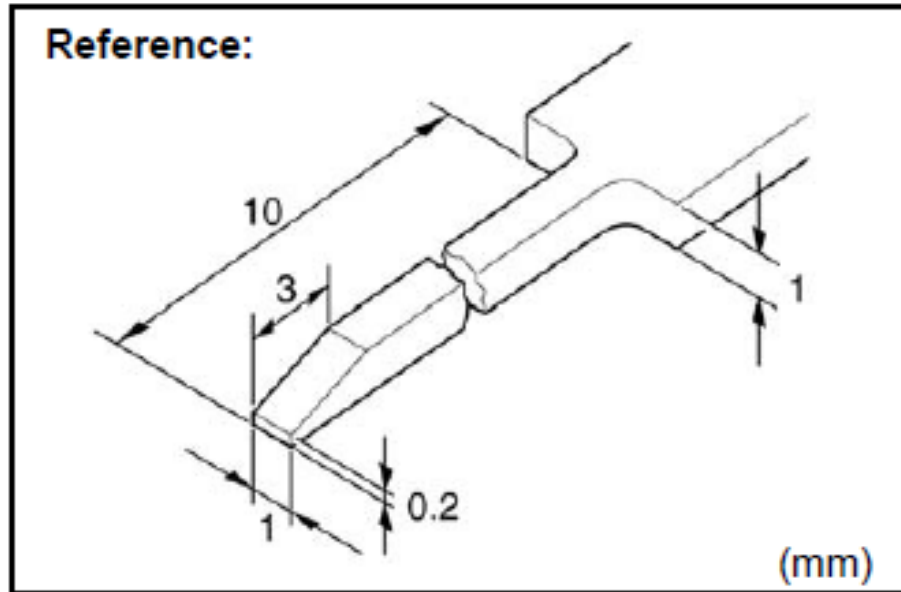
CURT 56353 Connector Pin Assignments (Brown-stripe wire to CURT adapter module is Tail, Red/Orange stripe wire is Brake.)

6	5 Tail	4		3	2	1
13	12 Brake	11	10	9	8	7



Tail Brake

Must switch wires in CURT pins 5 & 12 with wires in pins 6 & 13, respectively, using terminal extraction tool:



Adapter Inputs

Adapter Outputs

