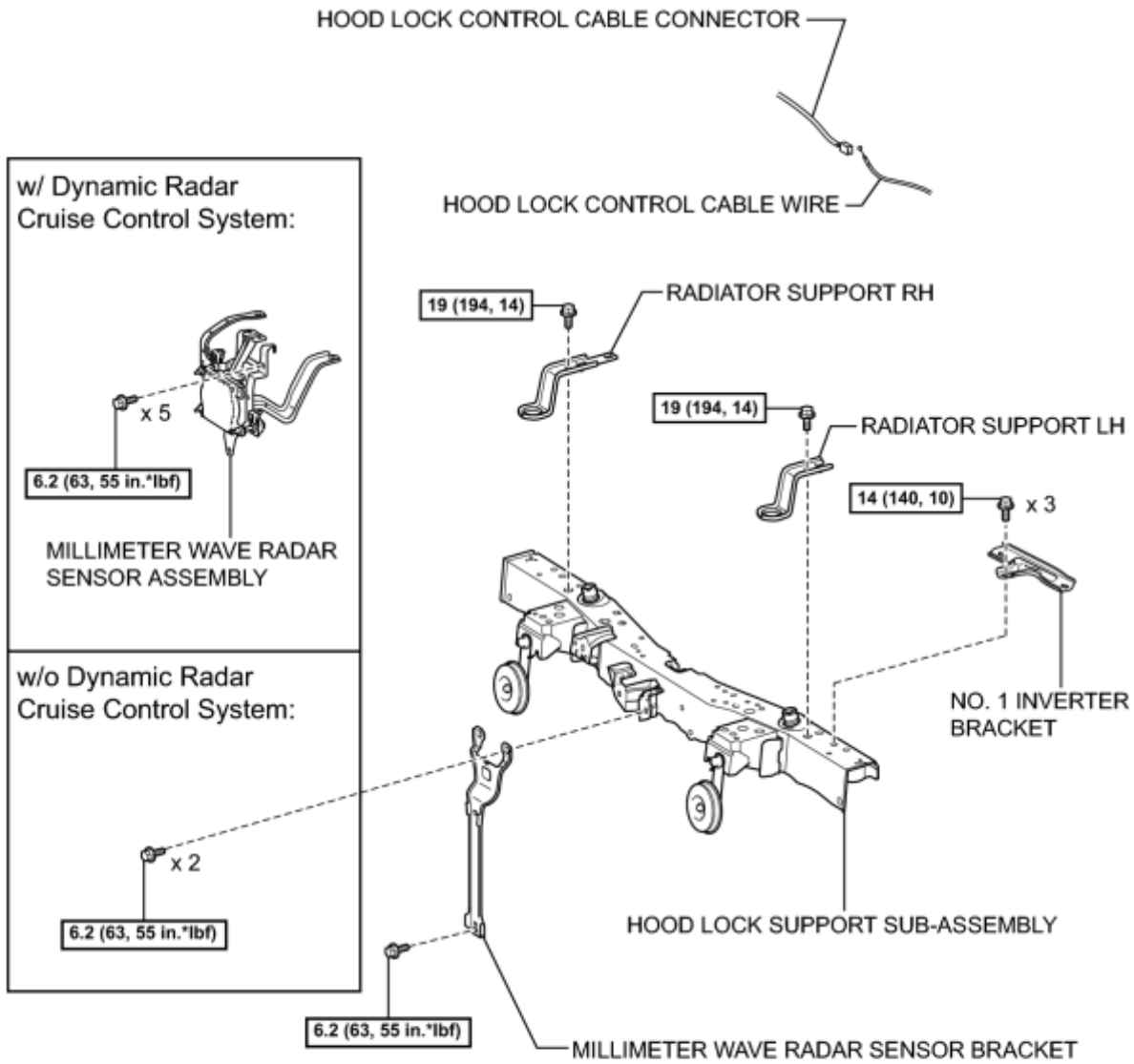


P

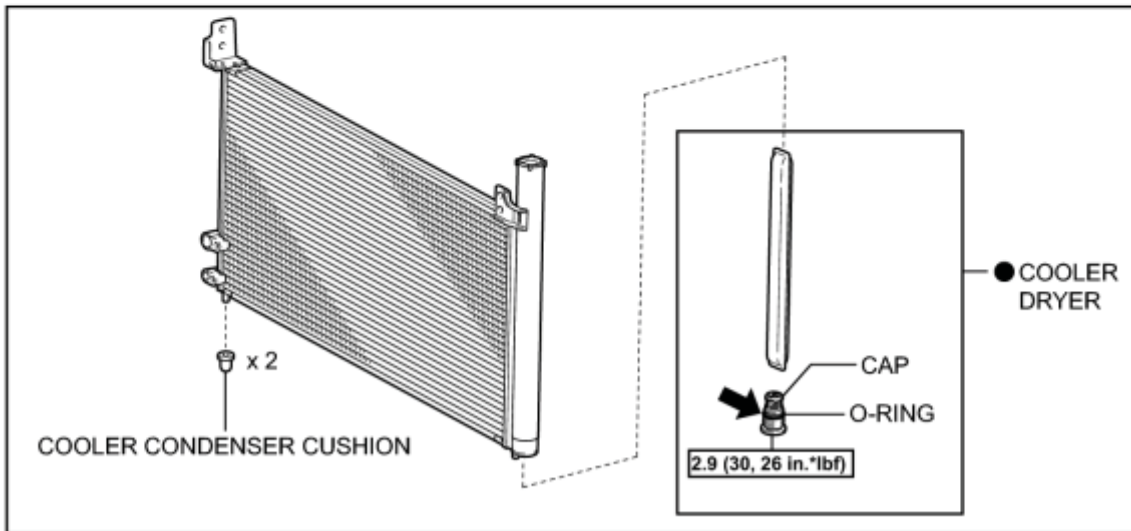
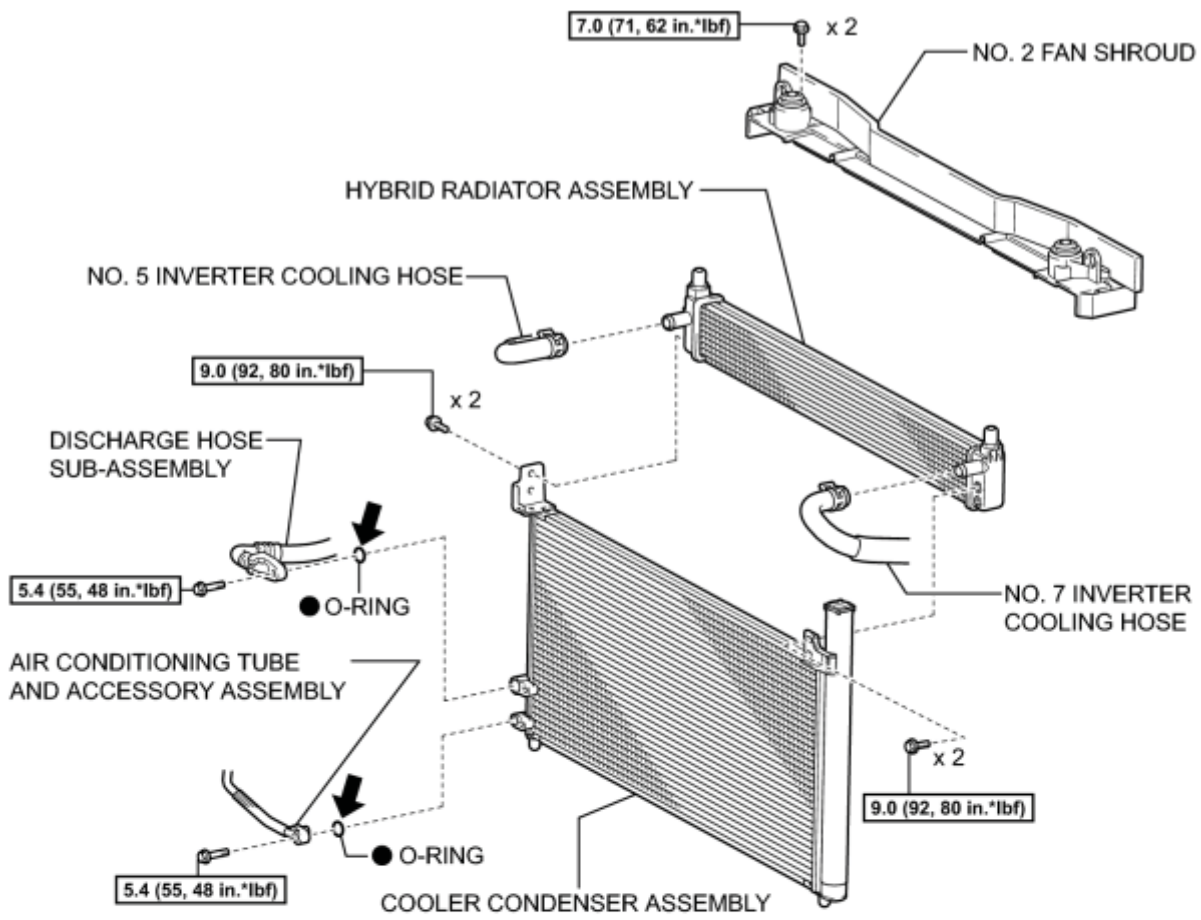
## ILLUSTRATION



**[N\*m (kgf\*cm, ft.\*lbf)]**: Specified torque

P

# ILLUSTRATION



**[N\*m (kgf\*cm, ft.\*lbf)]:** Specified torque

● Non-reusable part

← Compressor oil ND-OIL 11 or equivalent

P

# ON-VEHICLE INSPECTION

## 1. INSPECT COOLER CONDENSER ASSEMBLY

(a) If the cooler condenser assembly fins are dirty, clean them with water and dry with compressed air.

### NOTICE:

Do not damage the cooler condenser assembly fins.

(b) If any cooler condenser assembly fins are bent, straighten them using a screwdriver or pliers.

## 2. INSPECT FOR REFRIGERANT LEAK

(a) Using a halogen leak detector, check pipe joints for refrigerant leaks.

(b) If refrigerant leak is detected in a joint, check the torque of the joint.



# REMOVAL

1. RECOVER REFRIGERANT FROM REFRIGERATION SYSTEM\_ INFO

2. REMOVE REAR NO. 2 FLOOR BOARD (for Separate Type)\_ INFO

3. REMOVE REAR DECK FLOOR BOX\_ INFO

4. REMOVE REAR NO. 3 FLOOR BOARD\_ INFO

5. DISCONNECT CABLE FROM NEGATIVE BATTERY TERMINAL

## NOTICE:

When disconnecting the cable, some systems need to be initialized after the cable is reconnected INFO.

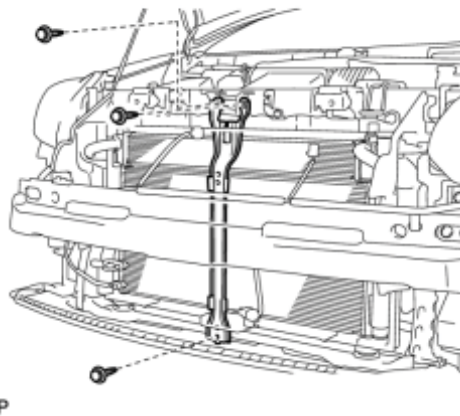
6. REMOVE RADIATOR SUPPORT OPENING COVER\_ INFO

7. REMOVE FRONT BUMPER ASSEMBLY\_ INFO

8. REMOVE MILLIMETER WAVE RADAR SENSOR ASSEMBLY (w/ Dynamic Radar Cruise Control System)\_ INFO

9. REMOVE MILLIMETER WAVE RADAR SENSOR BRACKET

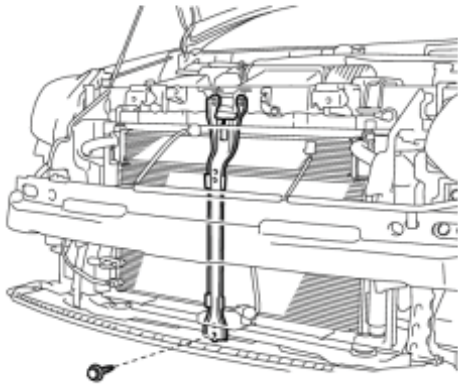
(a) w/o Dynamic Radar Cruise Control System:



(1) Remove the 3 bolts and millimeter wave radar sensor bracket.

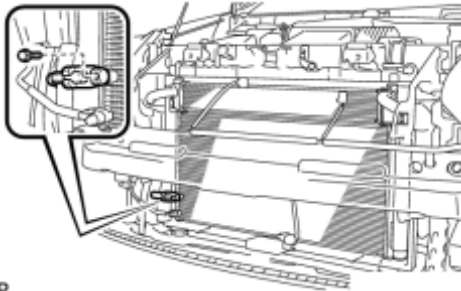
(b) w/ Dynamic Radar Cruise Control System:

(1) Remove the bolt and millimeter wave radar sensor bracket.



P

## 10. DISCONNECT DISCHARGE HOSE SUB-ASSEMBLY



P

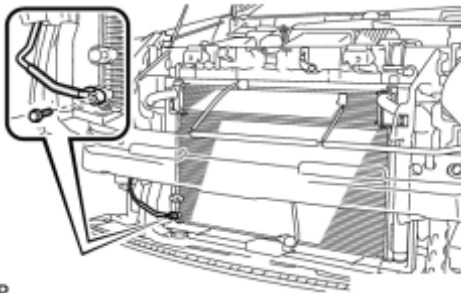
(a) Remove the bolt and disconnect the discharge hose sub-assembly.

(b) Remove the O-ring from the discharge hose sub-assembly.

### NOTICE:

Seal the openings of the disconnected parts using vinyl tape to prevent entry of moisture and foreign matter.

## 11. DISCONNECT AIR CONDITIONING TUBE AND ACCESSORY ASSEMBLY



P

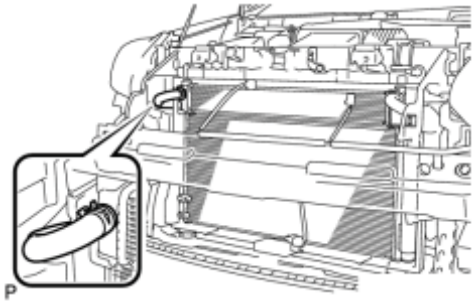
(a) Remove the bolt and disconnect the air conditioning tube and accessory assembly.

(b) Remove the O-ring from the air conditioning tube and accessory assembly.

### NOTICE:

Seal the openings of the disconnected parts using vinyl tape to prevent entry of moisture and foreign matter.

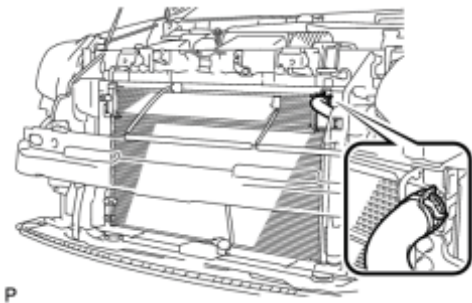
## 12. DISCONNECT NO. 5 INVERTER COOLING HOSE



(a) Using pliers, grip the claws of the clip and slide the clip to disconnect the No. 5 inverter cooling hose.

- Do not apply excessive force to the No. 5 inverter cooling hose.
- Prepare a drain pan or cloth in case the coolant leaks.

## 13. DISCONNECT NO. 7 INVERTER COOLING HOSE



(a) Using pliers, grip the claws of the clip and slide the clip to disconnect the No. 7 inverter cooling hose.

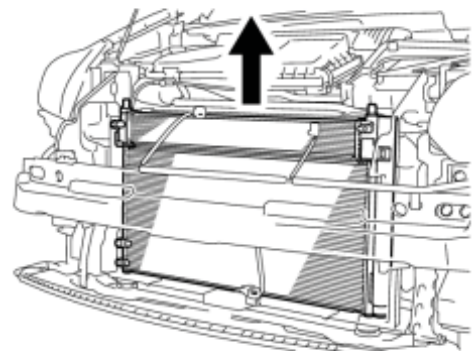
- Do not apply excessive force to the No. 7 inverter cooling hose.
- Prepare a drain pan or cloth in case the coolant leaks.

## 14. REMOVE NO. 1 INVERTER BRACKET INFO

## 15. REMOVE HOOD LOCK SUPPORT SUB-ASSEMBLY INFO

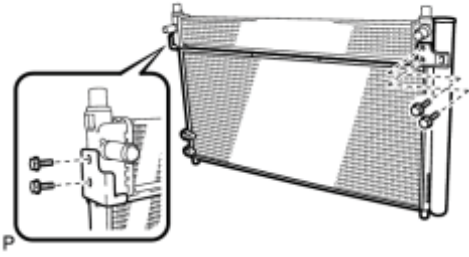
## 16. REMOVE NO. 2 FAN SHROUD INFO

## 17. REMOVE COOLER CONDENSER ASSEMBLY



(a) Remove the cooler condenser assembly with hybrid radiator assembly.

(b) Remove the 4 bolts and cooler condenser assembly from the hybrid radiator assembly.

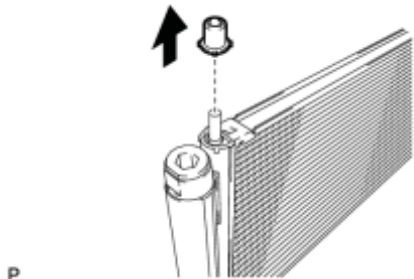




# DISASSEMBLY

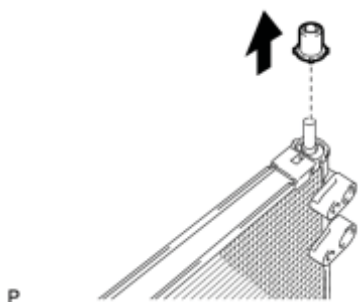
## 1. REMOVE COOLER CONDENSER CUSHION

(a) for LH Side:



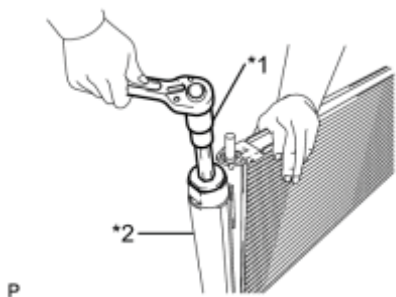
(1) Remove the cooler condenser cushion.

(b) for RH Side:



(1) Remove the cooler condenser cushion.

## 2. REMOVE COOLER DRYER

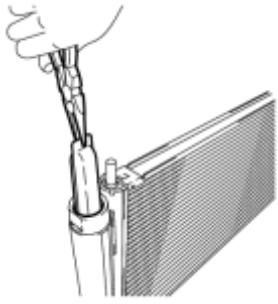


(a) Using a 14 mm straight hexagon wrench, remove the cap from the modulator.

### Text in Illustration

*1	14 mm Straight Hexagon Wrench
*2	Modulator

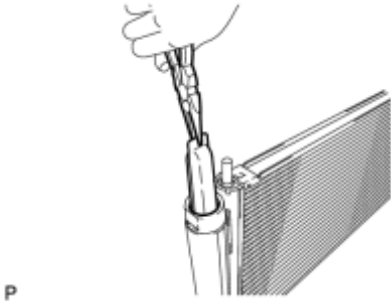
(b) Using pliers, remove the cooler dryer.



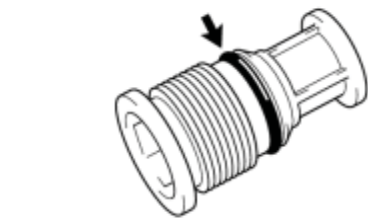
P

# REASSEMBLY

## 1. INSTALL COOLER DRYER



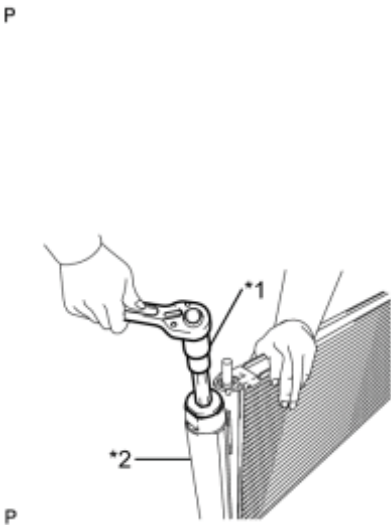
(a) Using pliers, install a new cooler dryer to the modulator.



(b) Sufficiently apply compressor oil to a new O-ring and the fitting surfaces of the cap.

Compressor oil:

ND-OIL 11 or equivalent



(c) Using a 14 mm straight hexagon wrench, install the cap to the cooler condenser core.

Torque: **2.9 N·m (30 kgf·cm, 26in·lbf)**

- Keep the O-ring and O-ring fitting surfaces clean from dirt or any foreign objects.
- Do not use any compressor oil other than ND-OIL 11 or equivalent. If any compressor oil other than ND-OIL 11 or equivalent is used, compressor motor insulation performance may decrease, resulting in a leakage of electric power.

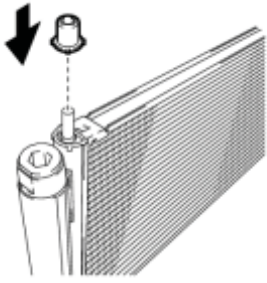
### Text in Illustration

*1	14 mm Straight Hexagon Wrench
*2	Modulator

## 2. INSTALL COOLER CONDENSER CUSHION

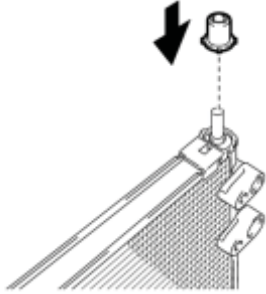
(a) for LH Side:

(1) Install the cooler condenser cushion.



P

(b) for RH Side:

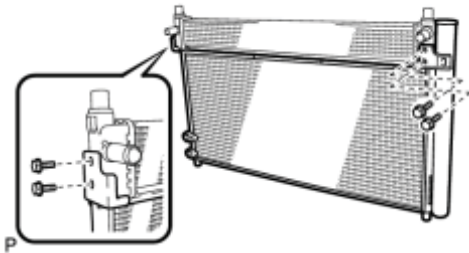


P

(1) Install the cooler condenser cushion.

# INSTALLATION

## 1. INSTALL COOLER CONDENSER ASSEMBLY



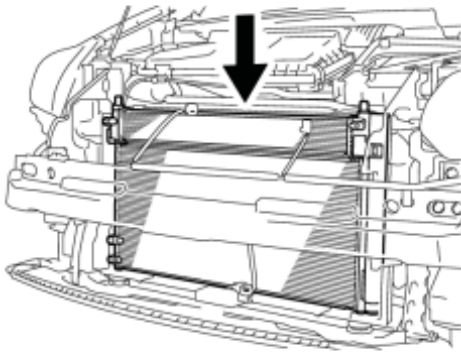
(a) Install the cooler condenser assembly with the 4 bolts to the hybrid radiator assembly.

Torque: **9.0 N·m (92 kgf·cm, 80in·lbf)**

(b) Install the cooler condenser assembly.

HINT:

If the condenser is replaced with a new one, add compressor oil to the new condenser.



Capacity:

40 cc (1.35 fl. oz.)

Compressor oil:

ND-11 or equivalent

NOTICE:

Do not use any compressor oil other than ND-OIL 11 or equivalent. If any compressor oil other than ND-OIL 11 or equivalent is used, compressor motor insulation performance may decrease, resulting in a leakage of electric power.

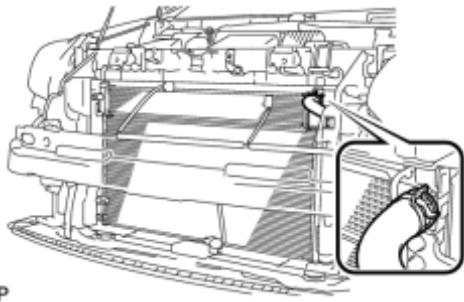
## 2. INSTALL NO. 2 FAN SHROUD\_ INFO

## 3. INSTALL HOOD LOCK SUPPORT SUB-ASSEMBLY\_ INFO

## 4. INSTALL NO. 1 INVERTER BRACKET\_ INFO

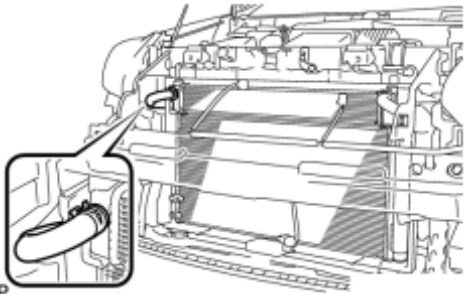
## 5. CONNECT NO. 7 INVERTER COOLING HOSE

(a) Using pliers, grip the claws of the clip and slide the clip to connect the No. 7 inverter cooling hose.



P

## 6. CONNECT NO. 5 INVERTER COOLING HOSE



P

(a) Using pliers, grip the claws of the clip and slide the clip to connect the No. 5 inverter cooling hose.

## 7. CONNECT AIR CONDITIONING TUBE AND ACCESSORY ASSEMBLY

(a) Remove the attached vinyl tape from the pipe and the connecting part of the cooler condenser assembly.

(b) Sufficiently apply compressor oil to a new O-ring and the fitting surface of the pipe joint.

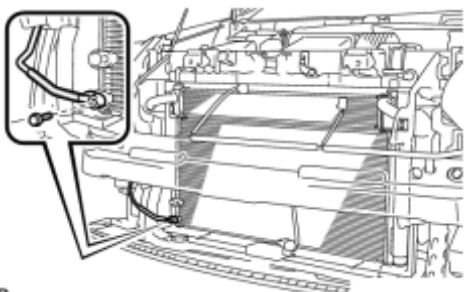
Compressor oil:

ND-OIL 11 or equivalent

(c) Install the O-ring on the air conditioning tube and accessory assembly.

NOTICE:

- Keep the O-ring and O-ring fitting surfaces clean from dirt or any foreign objects.
- Do not use any compressor oil other than ND-OIL 11 or equivalent. If any compressor oil other than ND-OIL 11 or equivalent is used, compressor motor insulation performance may decrease, resulting in a leakage of electric power.



P

(d) Install the air conditioning tube and accessory assembly on the cooler condenser assembly with the bolt.

Torque: **5.4 N·m (55 kgf·cm, 48in·lbf)**

## 8. CONNECT DISCHARGE HOSE SUB-ASSEMBLY

- (a) Remove the attached vinyl tape from the hose and the connecting part of the cooler condenser assembly.
- (b) Sufficiently apply compressor oil to a new O-ring and the fitting surface of the hose joint.

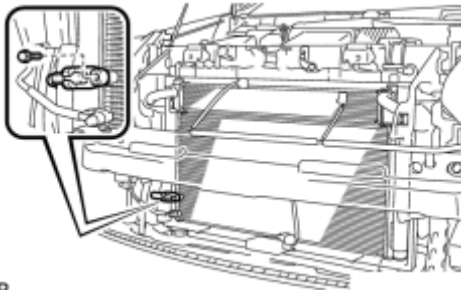
Compressor oil:

ND-OIL 11 or equivalent

- (c) Install the O-ring on the discharge hose sub-assembly.

NOTICE:

- Keep the O-ring and O-ring fitting surfaces clean from dirt or any foreign objects.
- Do not use any compressor oil other than ND-OIL 11 or equivalent. If any compressor oil other than ND-OIL 11 or equivalent is used, compressor motor insulation performance may decrease, resulting in a leakage of electric power.



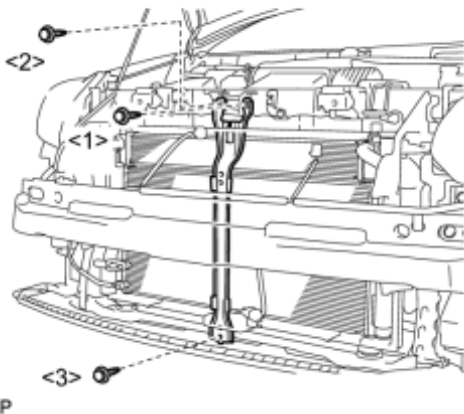
- (d) Install the discharge hose sub-assembly on the cooler condenser assembly with the bolt.

Torque: **5.4 N·m (55 kgf·cm, 48in·lbf)**

P

## 9. INSTALL MILLIMETER WAVE RADAR SENSOR BRACKET

- (a) w/o Dynamic Radar Cruise Control System:



- (1) Install the millimeter wave radar sensor bracket with the 3 bolts.

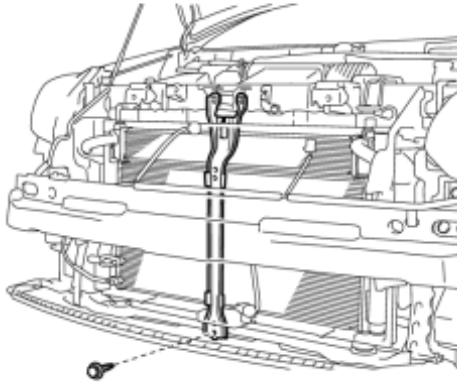
Torque: **6.2 N·m (63 kgf·cm, 55in·lbf)**

NOTICE:

Tighten the bolts in the order shown in the illustration to install the millimeter wave radar sensor bracket.

P

- (b) w/ Dynamic Radar Cruise Control System:



(1) Install the millimeter wave radar sensor bracket with the bolt.

Torque: **6.2 N·m (63 kgf·cm, 55in·lbf)**

P

10. INSTALL MILLIMETER WAVE RADAR SENSOR ASSEMBLY (w/ Dynamic Radar Cruise Control System) [INFO](#)

11. INSTALL FRONT BUMPER ASSEMBLY [INFO](#)

12. ADD WASHER FLUID (w/ Headlight Cleaner System) [INFO](#)

13. CONNECT CABLE TO NEGATIVE BATTERY TERMINAL

NOTICE:

When disconnecting the cable, some systems need to be initialized after the cable is reconnected [INFO](#).

14. INSTALL REAR NO. 3 FLOOR BOARD [INFO](#)

15. INSTALL REAR DECK FLOOR BOX [INFO](#)

16. INSTALL REAR NO. 2 FLOOR BOARD (for Separate Type) [INFO](#)

17. CHARGE WITH REFRIGERANT [INFO](#)

18. ADD COOLANT (for Inverter) [INFO](#)

19. WARM UP COMPRESSOR [INFO](#)

20. INSPECT FOR REFRIGERANT LEAK [INFO](#)

21. INSPECT FOR COOLANT LEAK (for Inverter) [INFO](#)

22. ADJUST FOG LIGHT AIMING

HINT:

Refer to the procedure for Adjust Fog Light Aiming [INFO](#).



### 23. ADJUST HOOD SUB-ASSEMBLY

HINT:

Refer to the procedure for Adjust Hood Sub-assembly [INFO](#).

24. ADJUST MILLIMETER WAVE RADAR SENSOR ASSEMBLY (w/ Dynamic Radar Cruise Control System) [INFO](#)

25. INSTALL RADIATOR SUPPORT OPENING COVER [INFO](#)