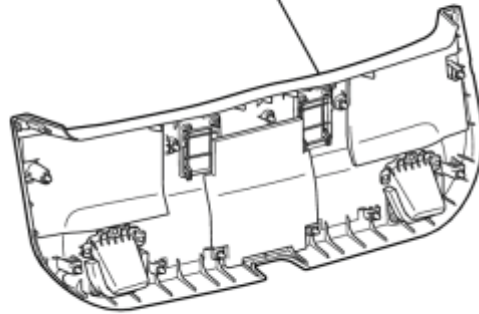


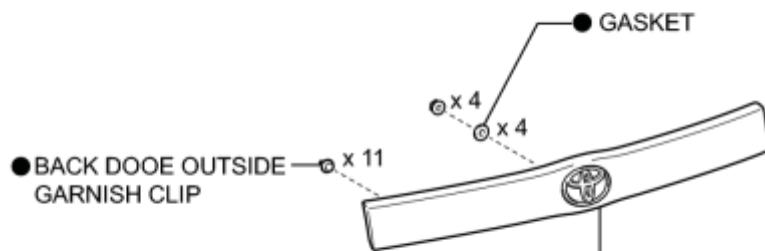
COMPONENTS

ILLUSTRATION

BACK DOOR TRIM BOARD ASSEMBLY



BACK DOOR OPENER SWITCH ASSEMBLY



BACK DOOR OUTSIDE GARNISH SUB-ASSEMBLY

● Non-reusable part

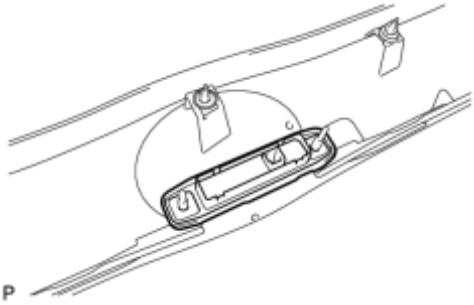
P

REMOVAL

1. REMOVE BACK DOOR TRIM BOARD ASSEMBLY_ INFO

2. REMOVE BACK DOOR OUTSIDE GARNISH SUB-ASSEMBLY_ INFO

3. REMOVE BACK DOOR OPENER SWITCH ASSEMBLY

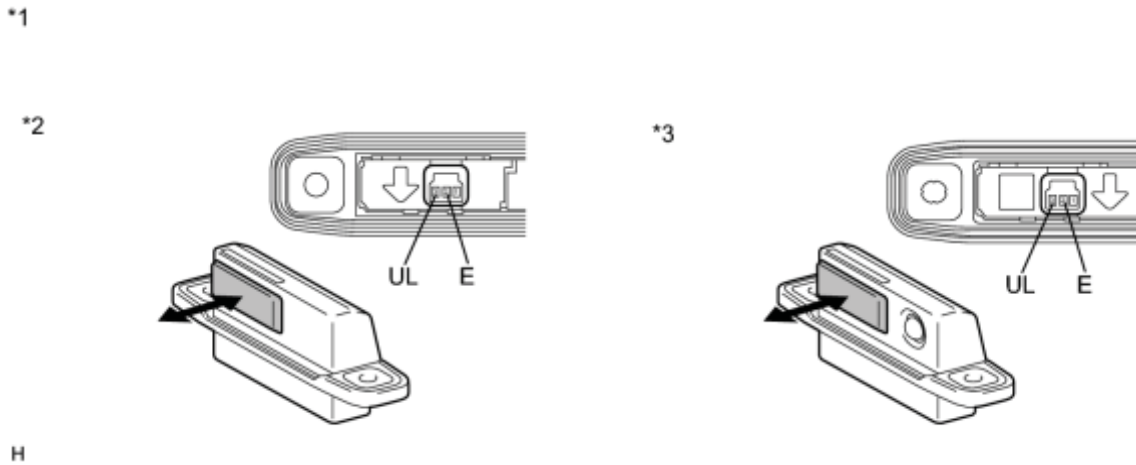


(a) Remove the back door opener switch assembly.

INSPECTION

1. INSPECT BACK DOOR OPENER SWITCH ASSEMBLY

(a) Check the operation of the opener switch.



(1) Measure the resistance according to the value(s) in the table below.

Standard Resistance:

Tester Connection	Switch Condition	Specified Condition
2 (E) - 3 (UL)	Back door opener switch not pushed	10 k Ω or higher
2 (E) - 3 (UL)	Back door opener switch pushed	Below 1 Ω

Text in Illustration

*1	Component without harness connected (Back Door Opener Switch Assembly (Opener Switch))	*2	w/o Entry Back Door Open
*3	w/ Entry Back Door Open	-	-

If the result is not specified, replace the back door opener switch assembly.

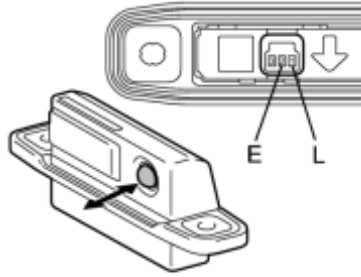
(b) Check operation of the lock switch (w/ Entry Back Door Open).

(1) Measure the resistance according to the value(s) in the table below.

Standard Resistance:

Tester Connection	Switch Position	Specified Condition
1(L) - 2(E)	Back door lock switch not	10 k Ω or higher

*1



	pushed	
1(L) - 2(E)	Back door lock switch pushed	Below 1 Ω

Text in Illustration

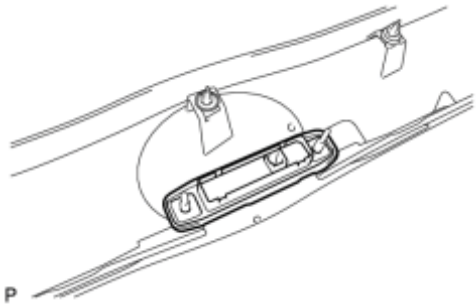
*1	Component without harness connected (Back Door Opener Switch Assembly (Lock Switch))
----	---

H

If the result is not specified, replace the back door opener switch assembly.

INSTALLATION

1. INSTALL BACK DOOR OPENER SWITCH ASSEMBLY



(a) Install the back door opener switch assembly.

2. INSTALL BACK DOOR OUTSIDE GARNISH SUB-ASSEMBLY_ [INFO](#)

3. INSTALL BACK DOOR TRIM BOARD ASSEMBLY_ [INFO](#)