

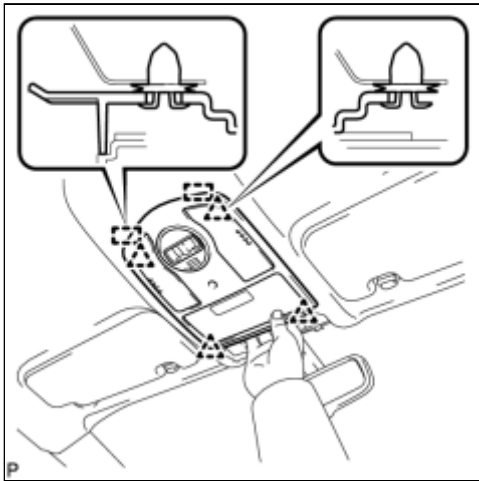
Last Modified: 5-3-2010	6.4 A	From: 200904
Model Year: 2010	Model: Prius	Doc ID: RM000003MUL007X
Title: LIGHTING (INT): PERSONAL LIGHT: REMOVAL (2010 Prius)		

REMOVAL

1. REMOVE ROOF TOP MOULDING (w/o Lane Keeping Assist System) INFO

2. REMOVE ROOF TOP MOULDING (w/ Lane Keeping Assist System) INFO

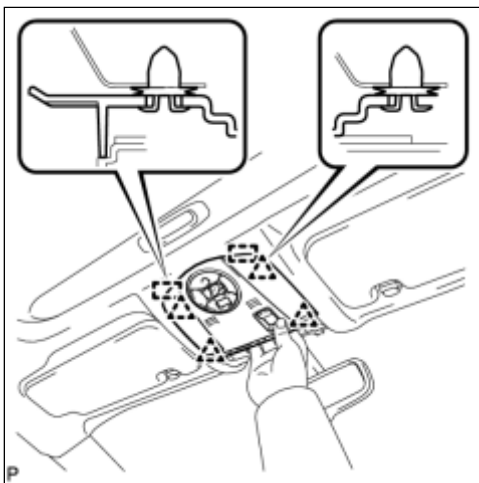
3. REMOVE MAP LIGHT ASSEMBLY (w/o Sliding Roof)



(a) Disengage the 4 clips and 2 guides as shown in the illustration.

(b) Disconnect the connector and remove the map light assembly.

4. REMOVE MAP LIGHT ASSEMBLY (w/ Sliding Roof)



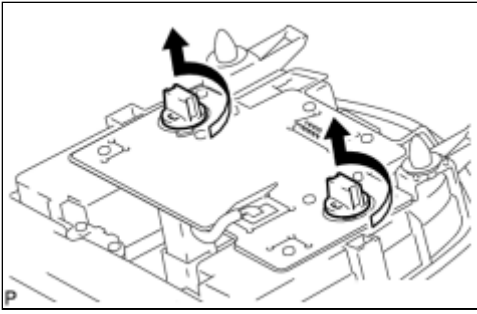
(a) Disengage the 4 clips and 2 guides as shown in the illustration.

(b) Disconnect the connector and remove the map light assembly.

5. REMOVE MAP LIGHT BULB

(a) Turn the 2 map light bulbs and 2 map light sockets in the direction indicated by the arrows in the illustration and remove them as a

unit.



(b) Remove the 2 map light bulbs from the 2 map light sockets.

